



US00D779063S

(12) **United States Design Patent**
Chu

(10) **Patent No.:** **US D779,063 S**

(45) **Date of Patent:** **** Feb. 14, 2017**

(54) **ORAL RINSE SUCTION EVACUATION
DENTAL APPLIANCE**

D277,604 S * 2/1985 Keresztes D24/113
D659,824 S * 5/2012 Kwok D24/176

* cited by examiner

(71) Applicant: **Darren Chu**, Anaheim, CA (US)

Primary Examiner — Wan Laymon

(74) *Attorney, Agent, or Firm* — William L. Chapin

(72) Inventor: **Darren Chu**, Anaheim, CA (US)

(57) **CLAIM**

The ornamental design for the oral rinse suction evacuation dental appliance, as shown and described.

(**) Term: **15 Years**

DESCRIPTION

(21) Appl. No.: **29/542,789**

FIG. 1 is a right side perspective view of an oral rinse suction evacuation dental appliance according to the present invention, showing a disposable sanitary disk component attached to a body component thereof;

(22) Filed: **Oct. 16, 2015**

FIG. 2 is a reduced perspective view thereof, showing the oral rinse suction evacuation dental appliance in use;

(51) **LOC (10) Cl.** **24-02**

(52) **U.S. Cl.**
USPC **D24/152; D24/112; D24/176**

(58) **Field of Classification Search**

USPC D24/152, 108, 112-113, 176-177
CPC A61C 17/043; A61C 17/0202; A61C 17/0208; A61C 17/00; A61C 17/005; A61C 17/04; A61C 1/16

See application file for complete search history.

FIG. 3 is an exploded right side elevation view, showing the disposable component removed from the body thereof;

FIG. 4 is a left side elevation view thereof;

FIG. 5 is a top plan view thereof;

FIG. 6 is a bottom plan view thereof;

FIG. 7 is an exploded front oblique view thereof, showing the disposable component removed from the body thereof;

FIG. 8 is an exploded rear oblique view thereof, showing the disposable component removed from the body thereof;

FIG. 9 is an exploded front end perspective view thereof, showing the disposable component removed from the body thereof; and,

FIG. 10 is a rear end perspective view thereof.

The broken line shown in FIG. 2 is included for the purpose of illustrating environmental structure and forms no part of the claimed design.

(56) **References Cited**

U.S. PATENT DOCUMENTS

3,742,607 A * 7/1973 Johnson A61C 17/043
433/91
D239,116 S * 3/1976 Johnson D24/113
4,015,336 A * 4/1977 Johnson A61C 17/043
251/347
4,081,176 A * 3/1978 Johnson A61C 17/043
251/321

1 Claim, 5 Drawing Sheets

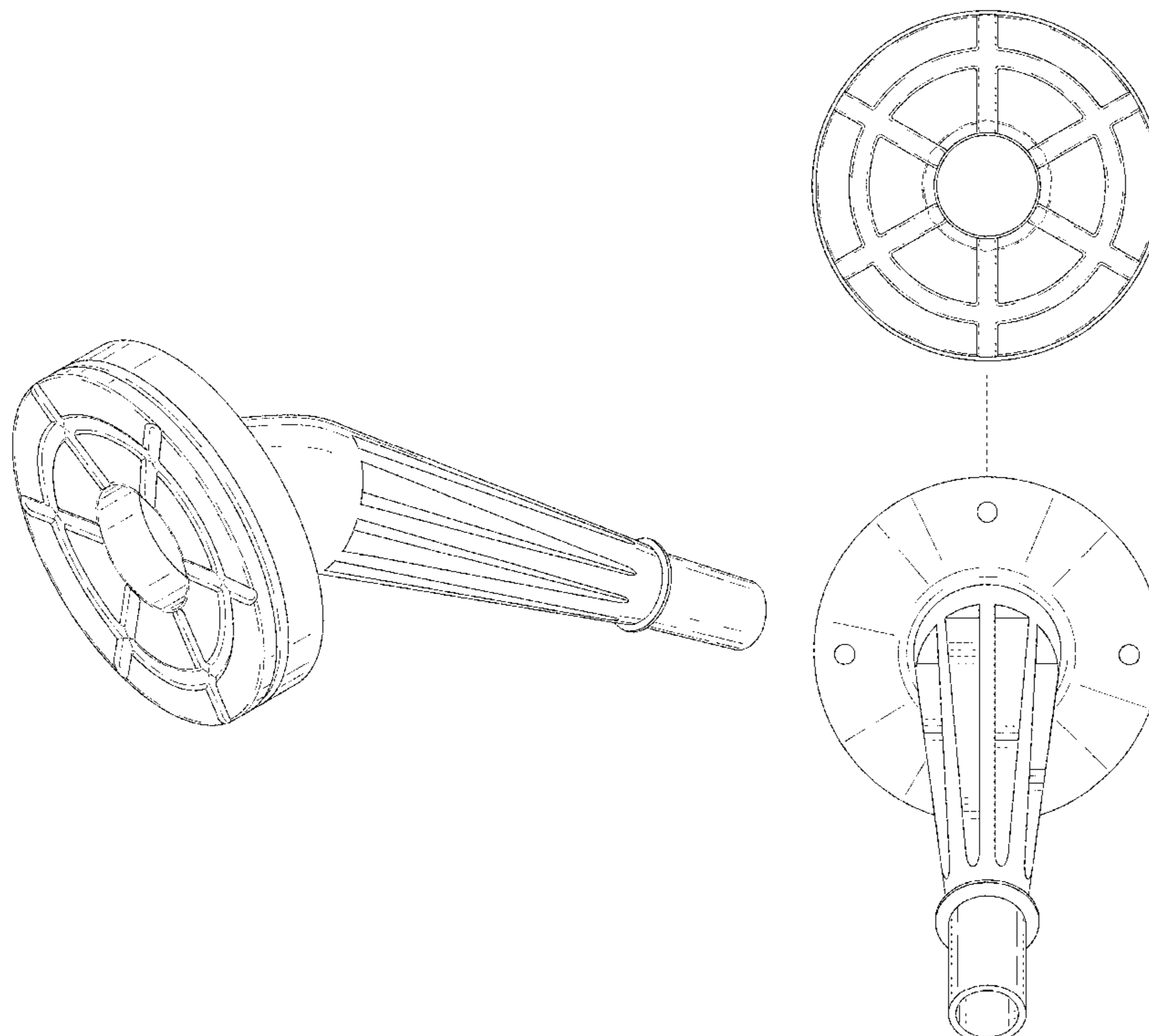


Fig. 1

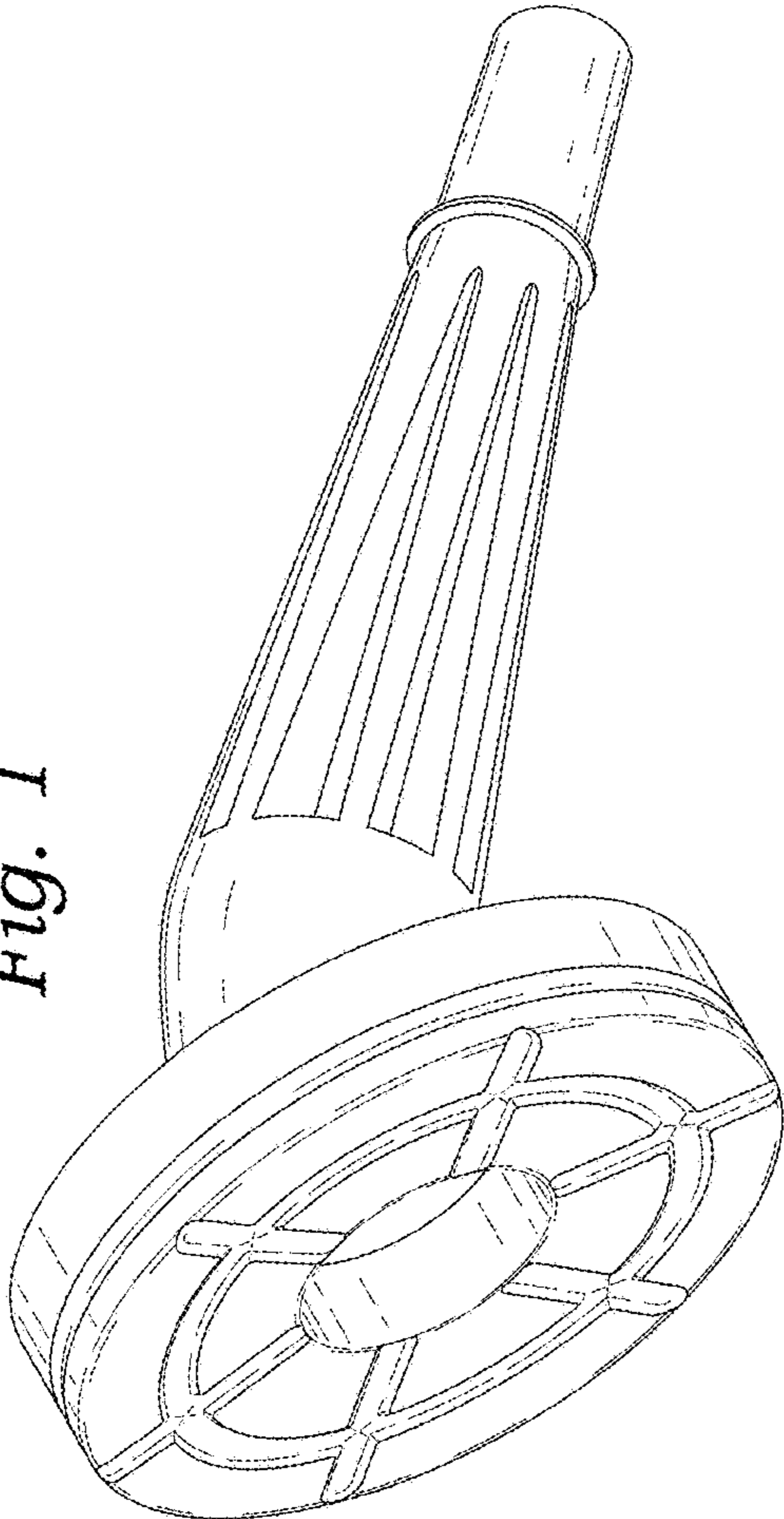
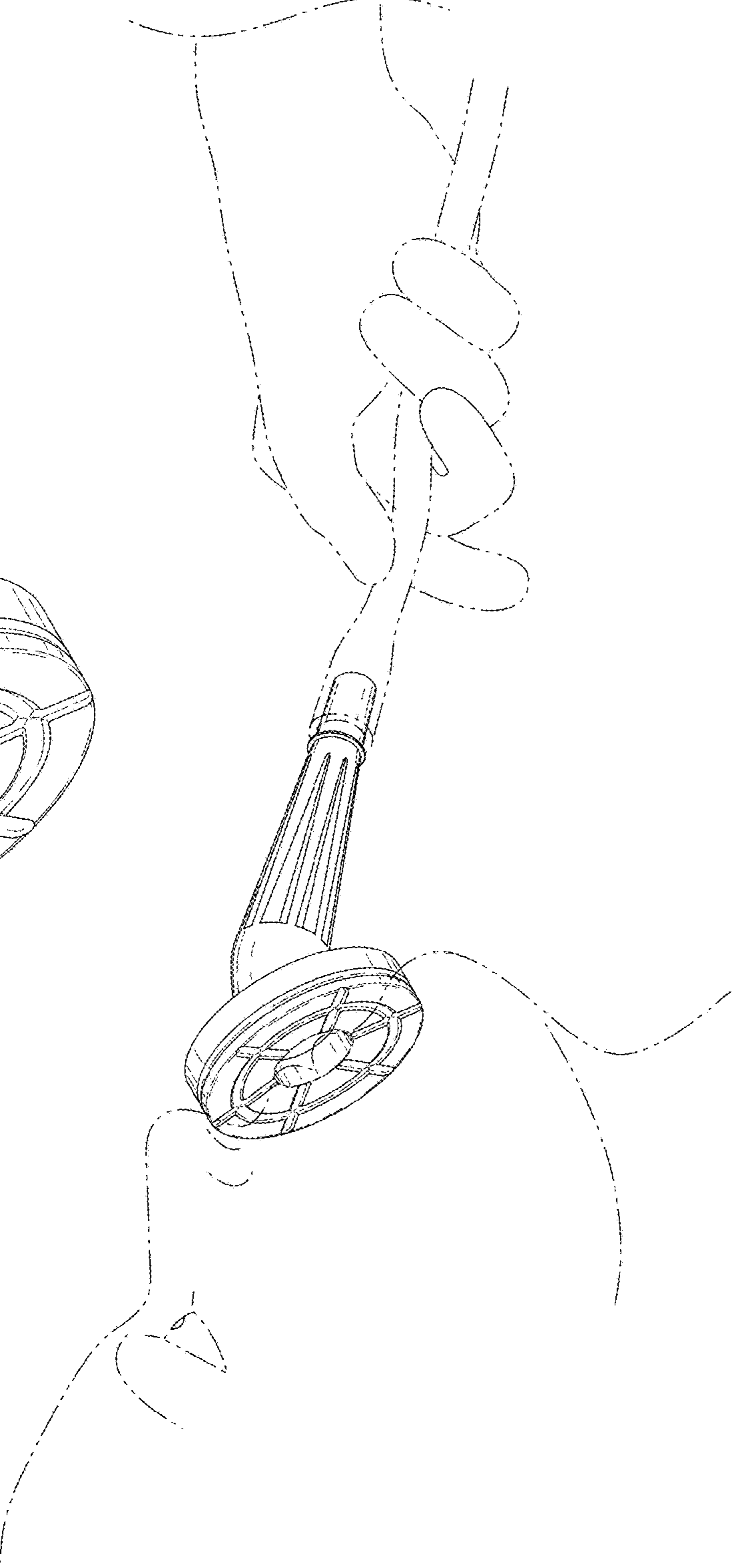


Fig. 2



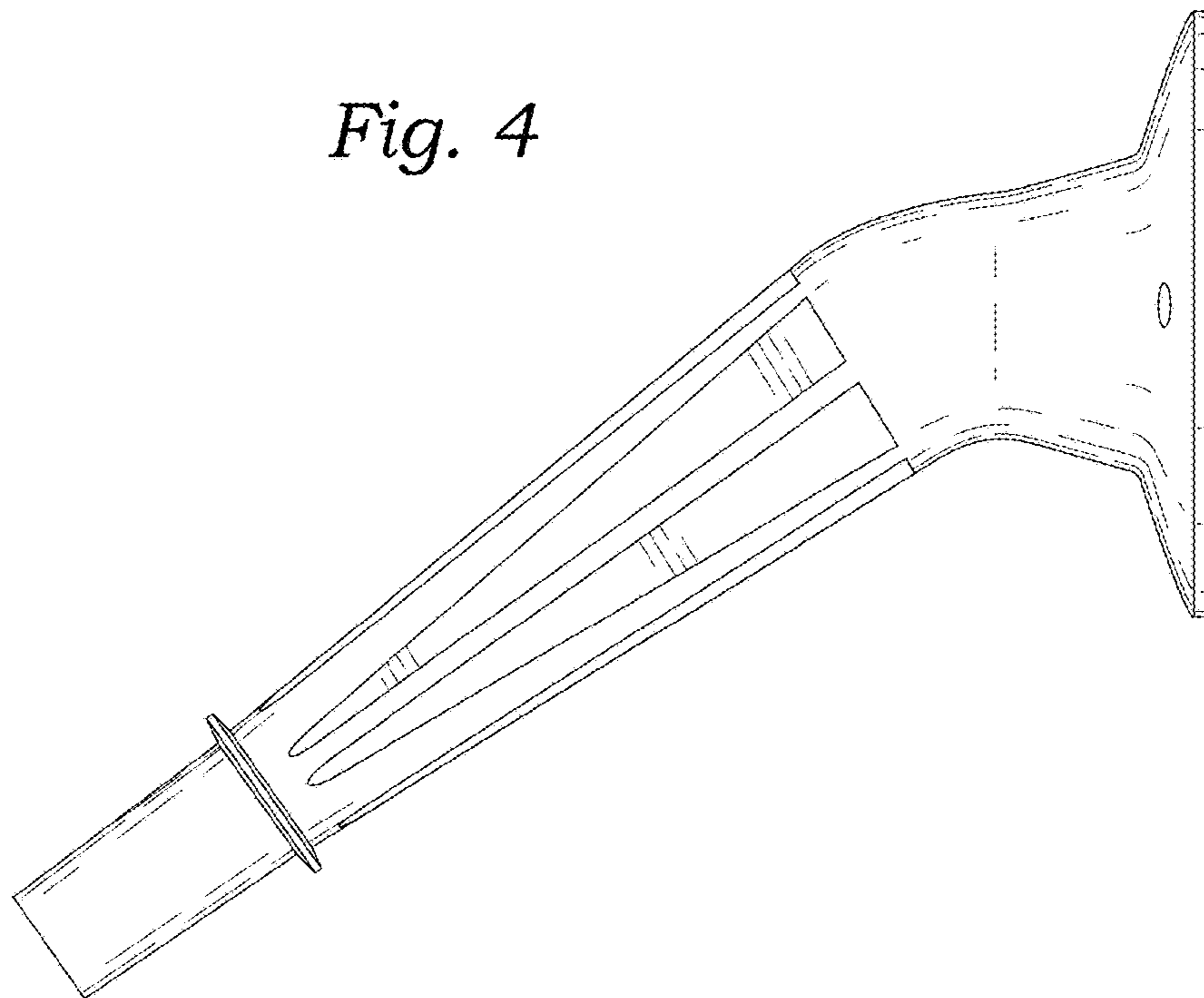
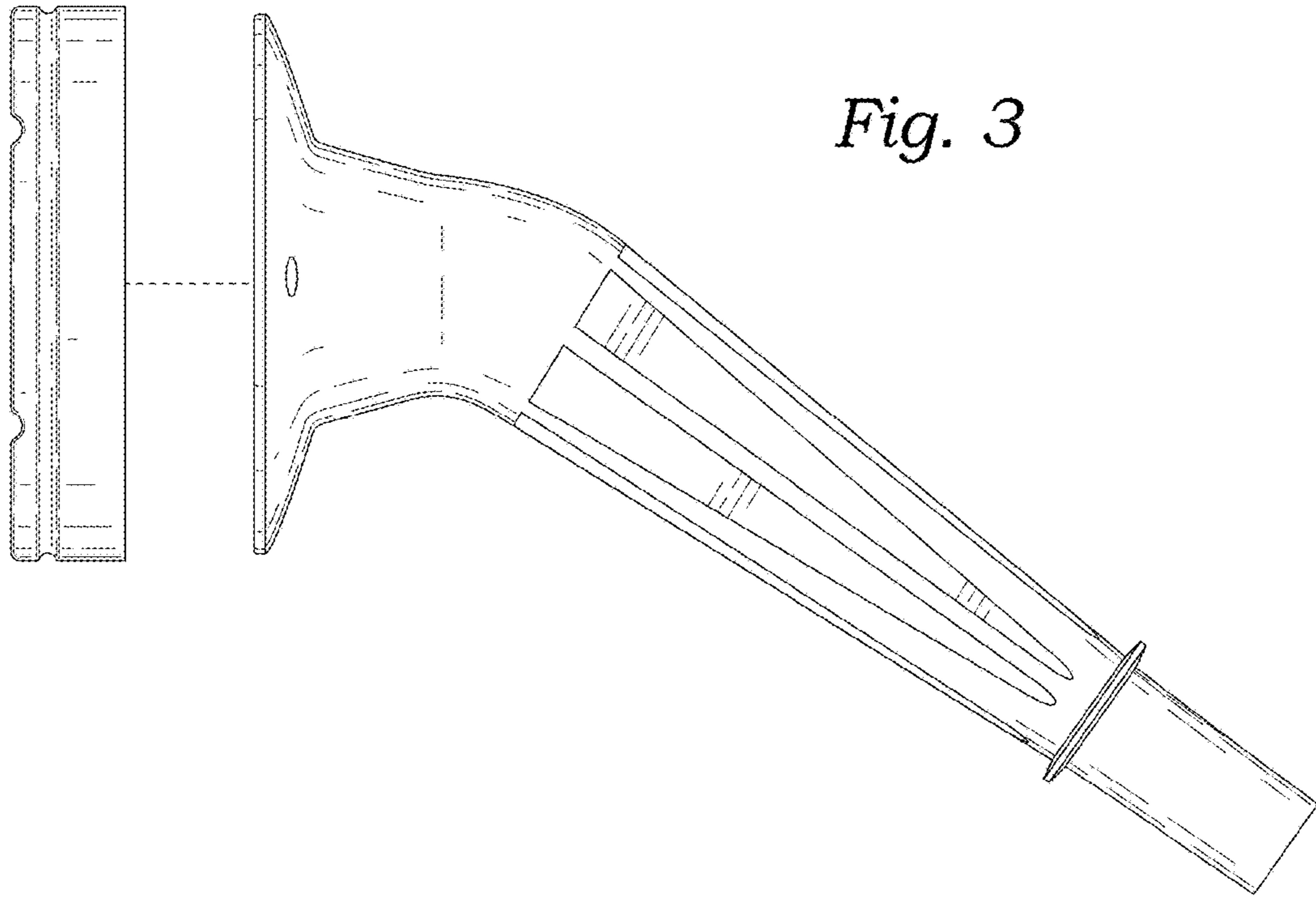


Fig. 5

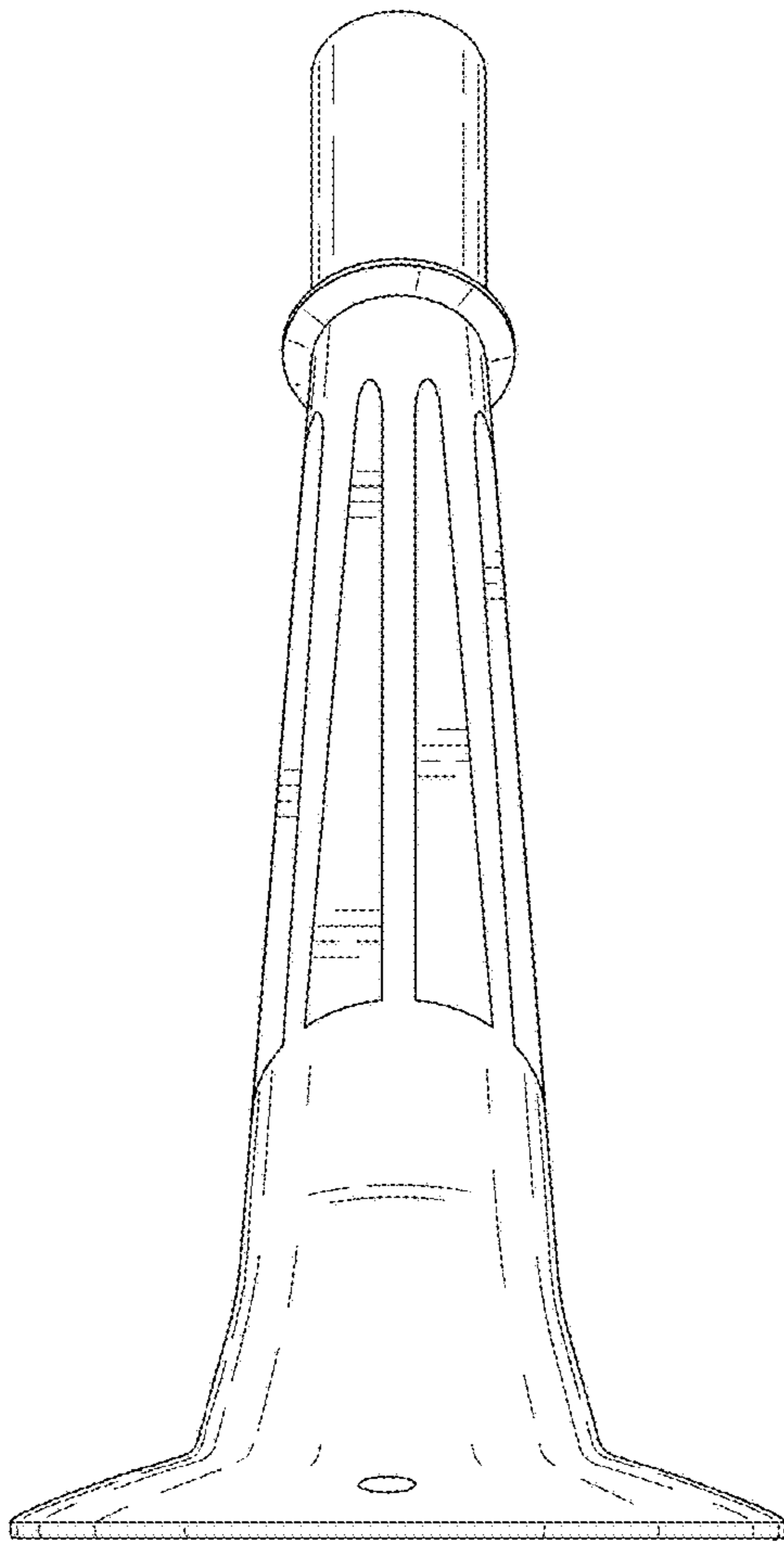
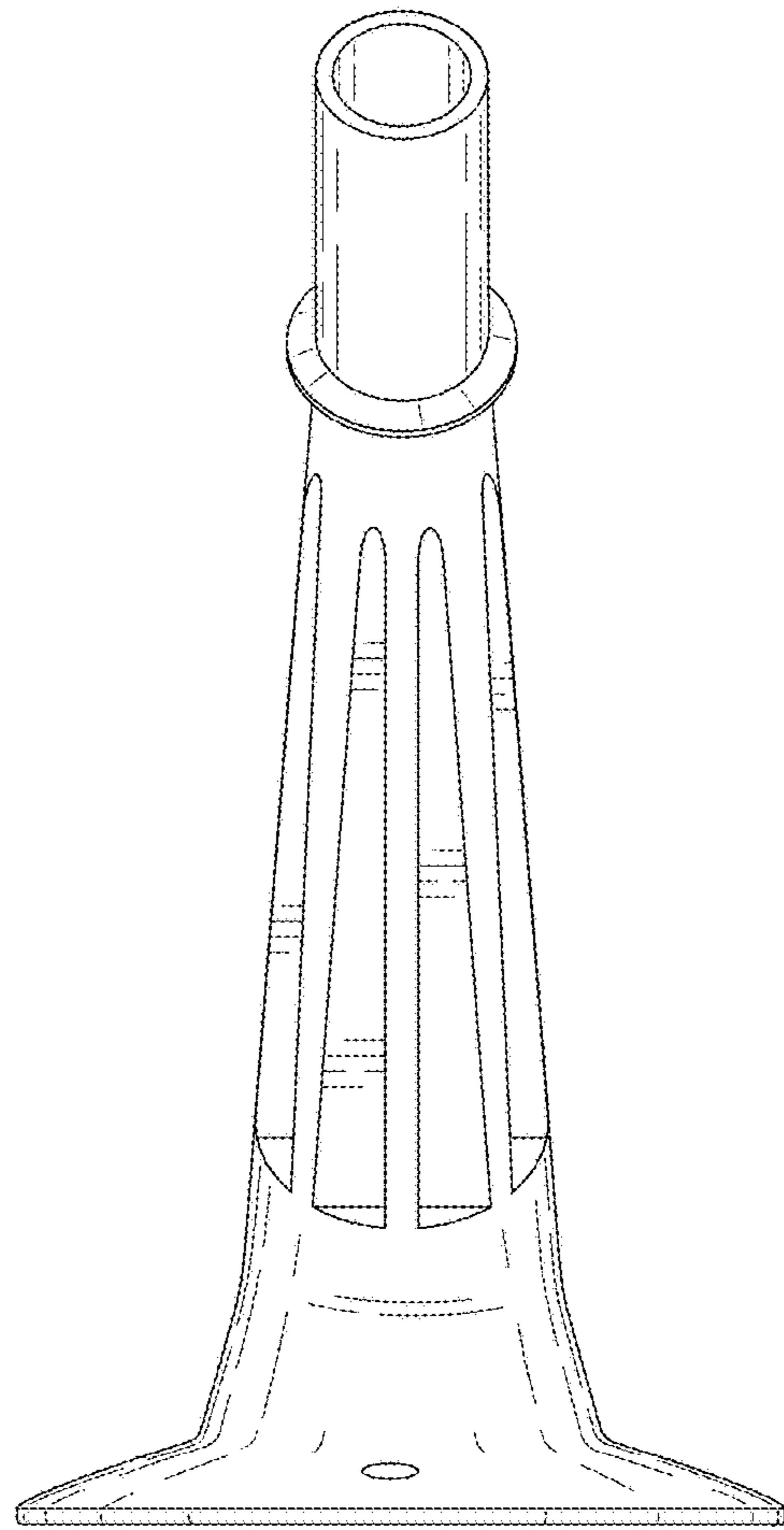


Fig. 6



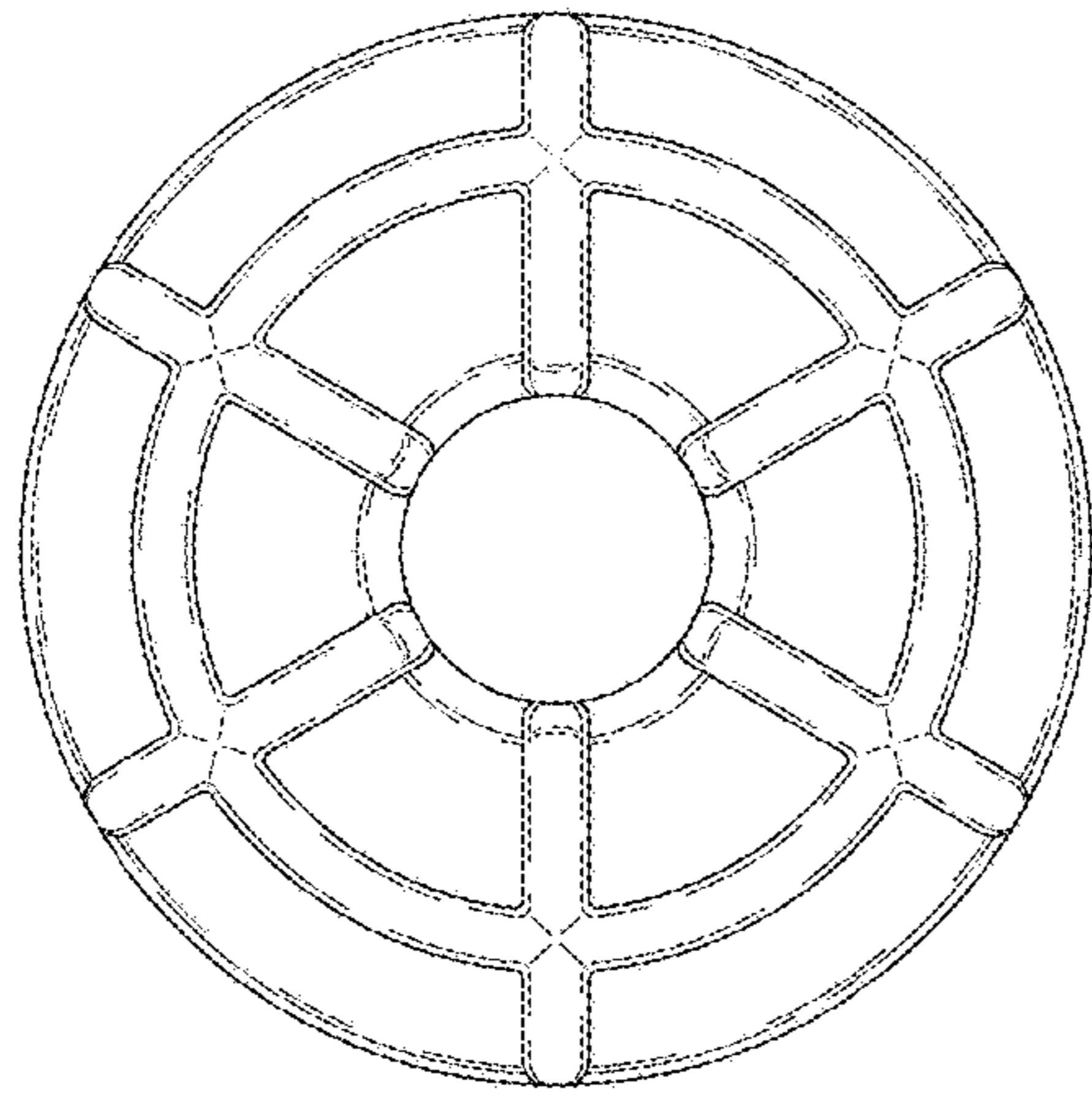


Fig. 7

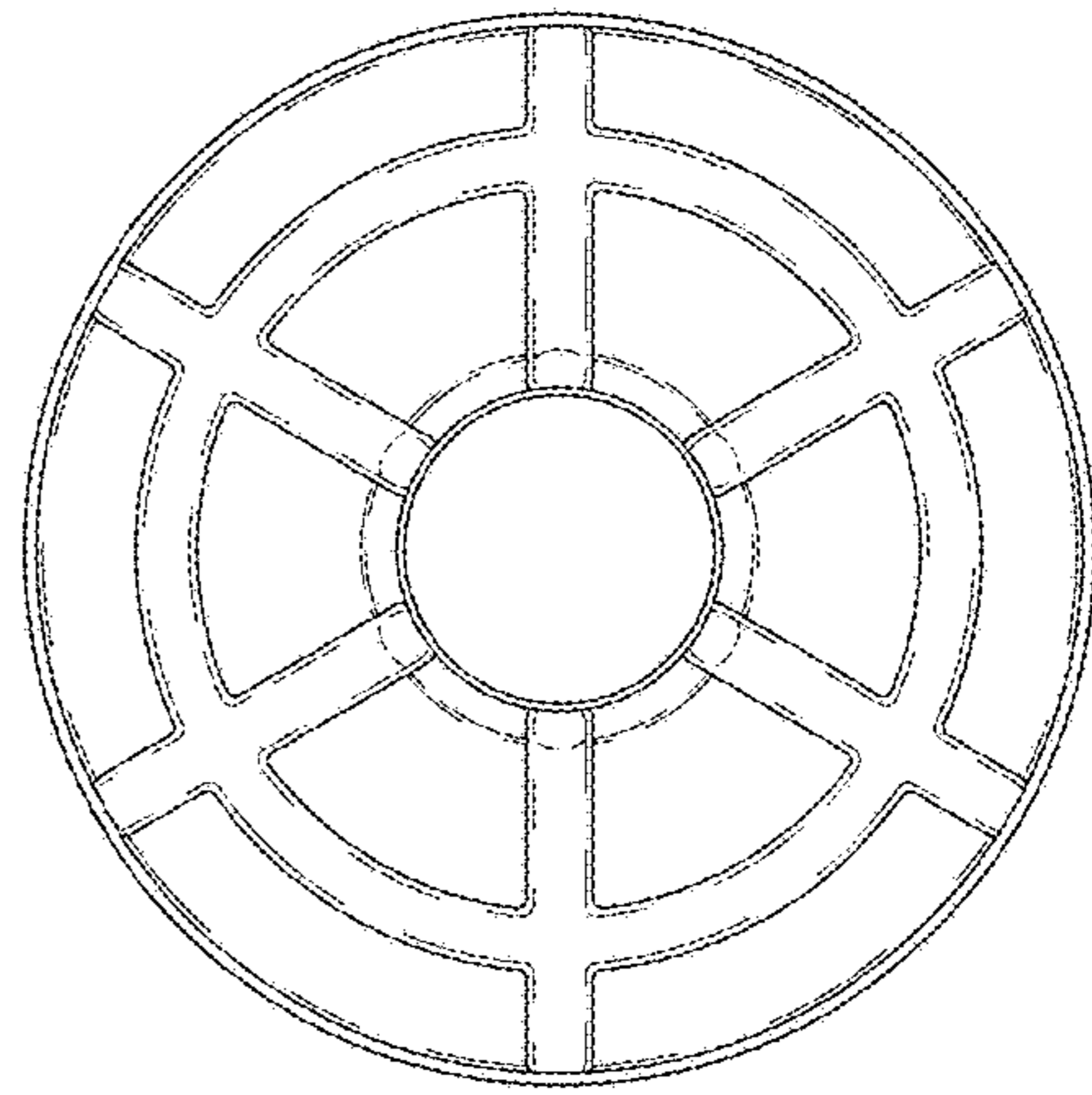
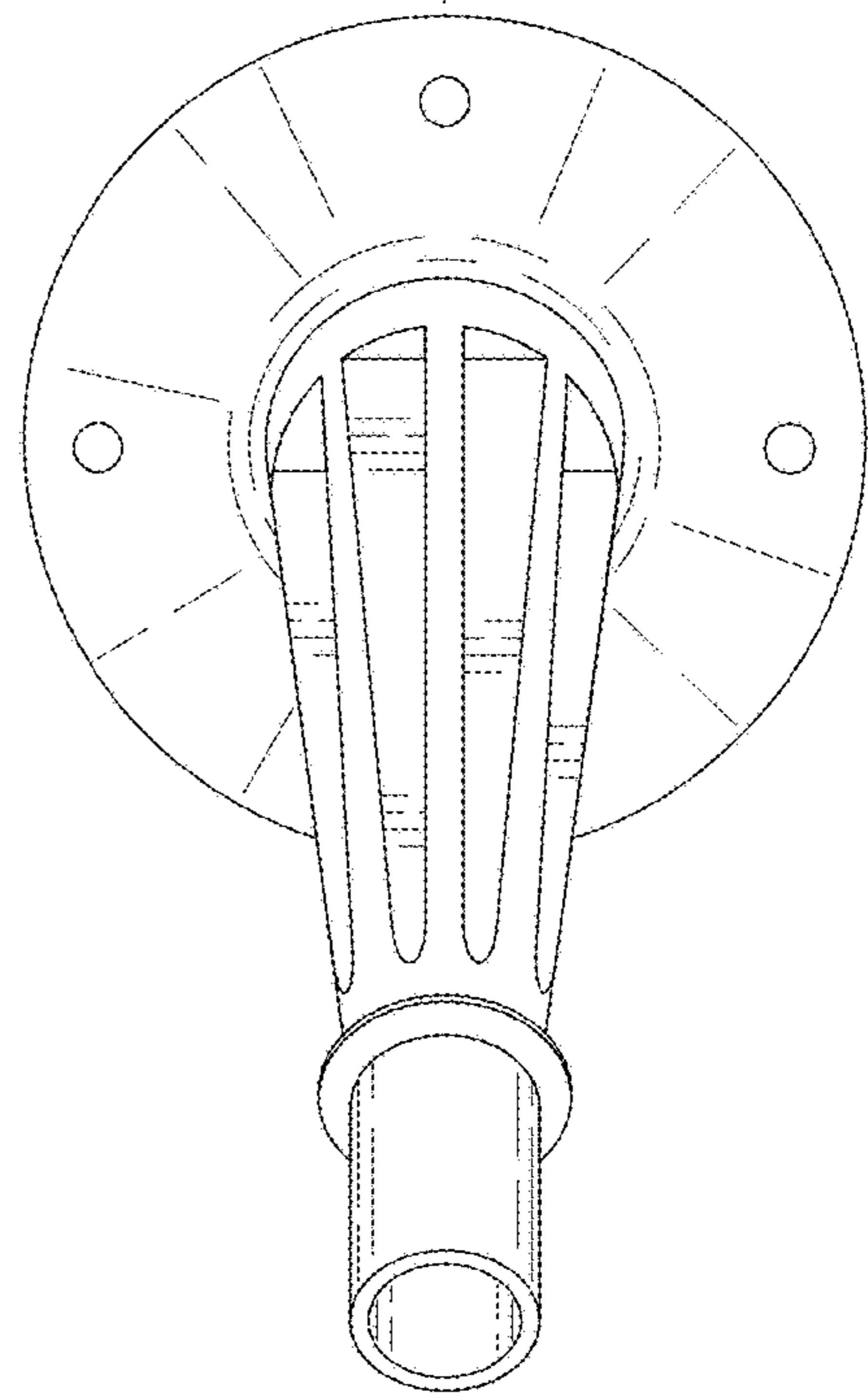
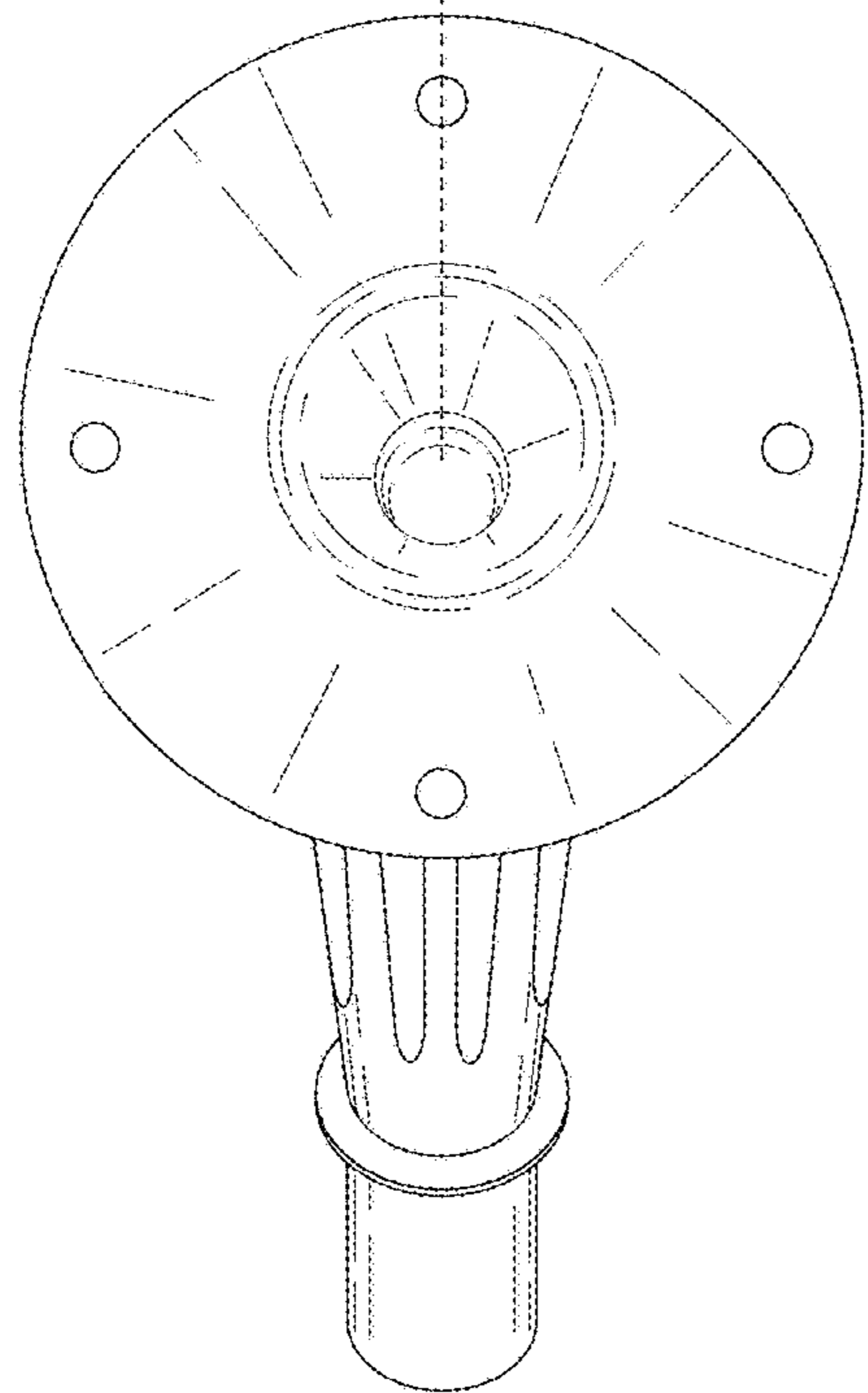


Fig. 8



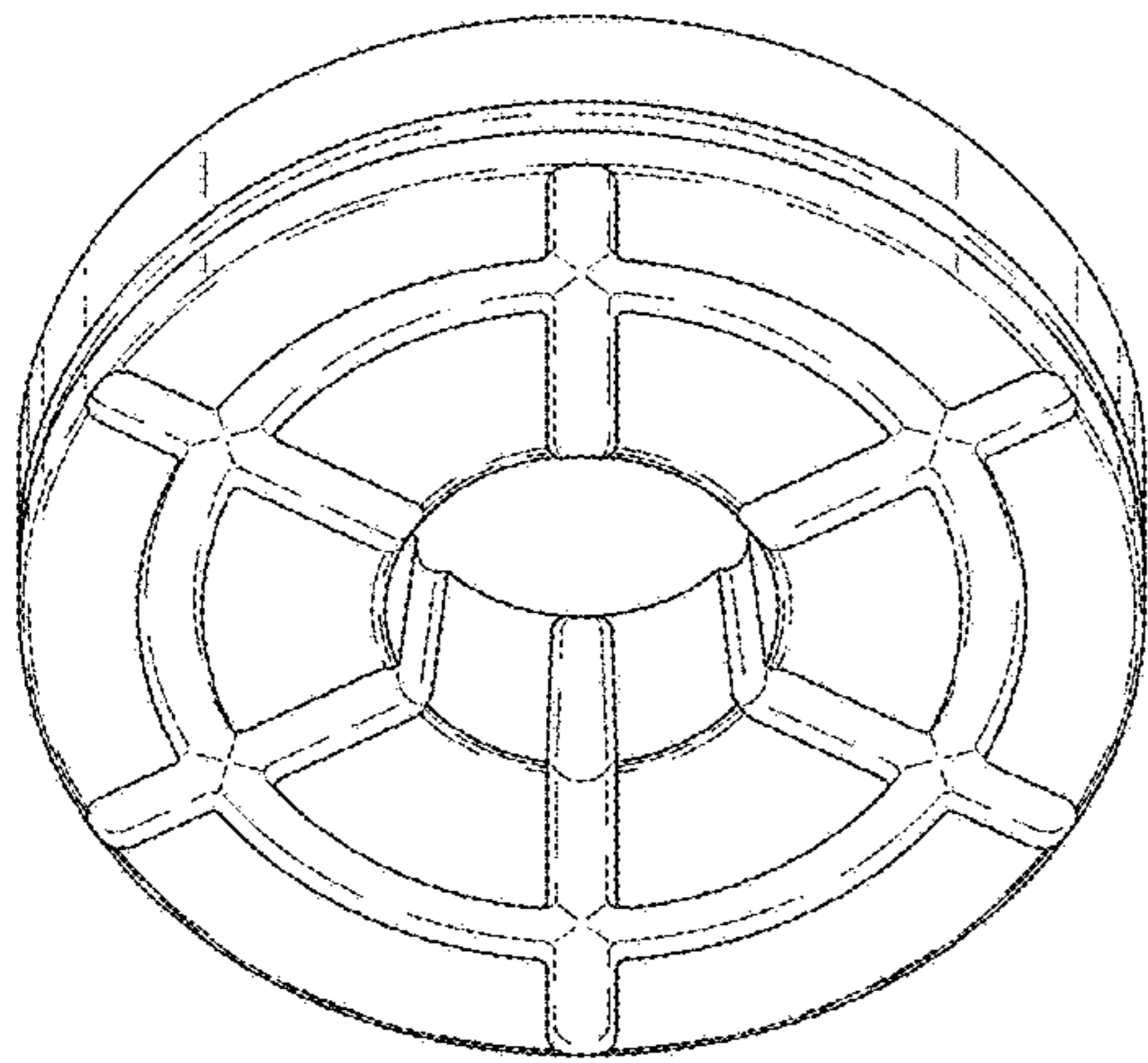


Fig. 9

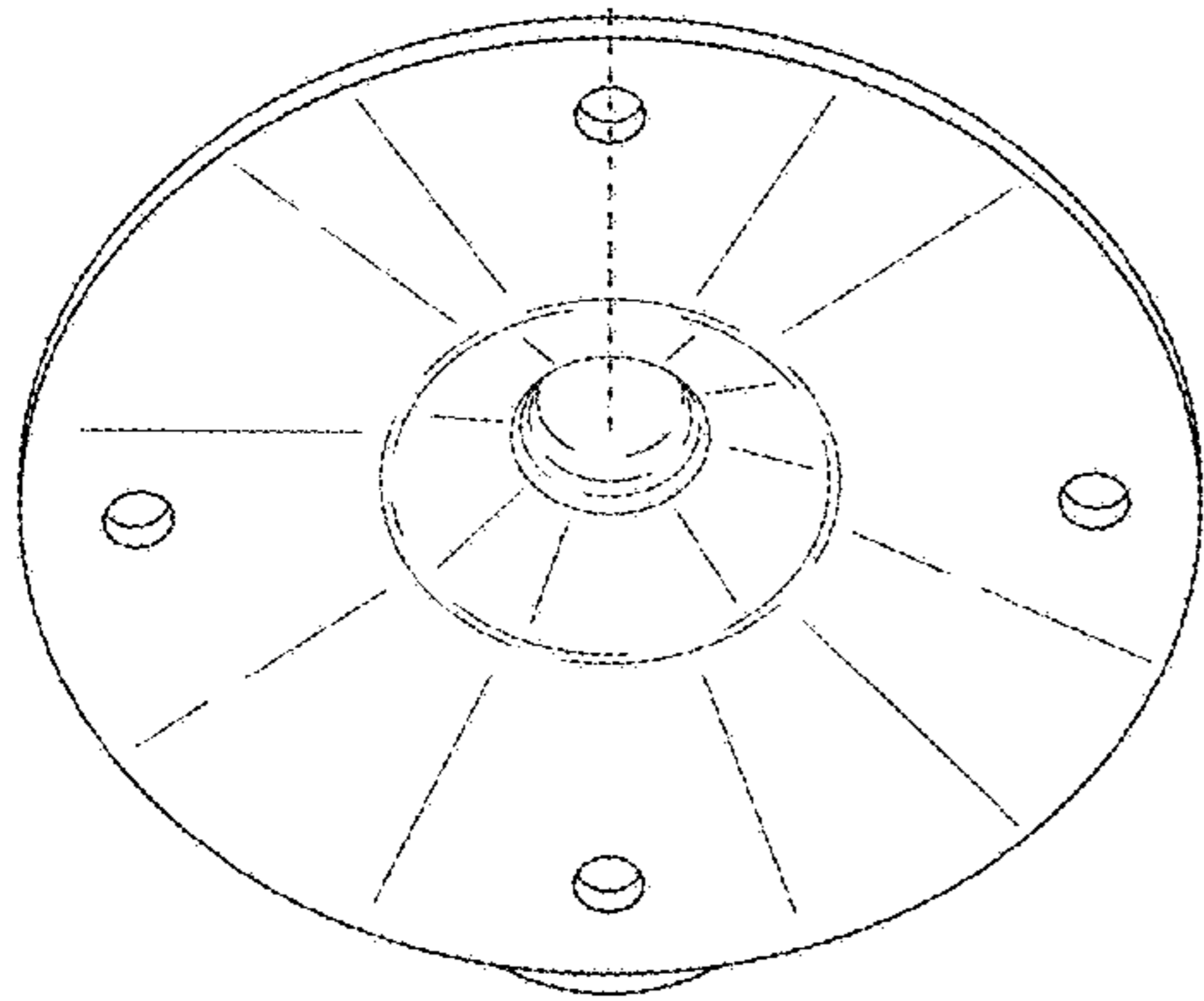


Fig. 10

