



US00D779062S

(12) **United States Design Patent**
Evans et al.

(10) **Patent No.:** **US D779,062 S**

(45) **Date of Patent:** **** Feb. 14, 2017**

(54) **TRACKING PATTERN HOLDER FOR A SURGICAL TOOL**

D604,412 S *	11/2009	Kobayashi	D24/152
9,402,691 B2 *	8/2016	Merritt	A61B 34/20
2012/0034573 A1 *	2/2012	Erdmann	A61B 1/0008
				433/29
2016/0074127 A1 *	3/2016	Merritt	A61B 19/5244
				433/29

(71) Applicant: **X-Nav Technologies, LLC**, Lansdale, PA (US)

(72) Inventors: **Pete Evans**, Lafayette Hill, PA (US);
Edward J. Marandola, Gwynedd, PA (US);
Christopher W. Scharff, Collegeville, PA (US);
Scott A. Merritt, Green Lane, PA (US)

* cited by examiner

Primary Examiner — Wan Laymon
(74) *Attorney, Agent, or Firm* — Drinker Biddle & Reath LLP

(73) Assignee: **X-Nav Technologies, LLC**

(**) Term: **15 Years**

(57) **CLAIM**

(21) Appl. No.: **29/539,394**

The ornamental design for a tracking pattern holder for a surgical tool, as shown and described.

(22) Filed: **Sep. 14, 2015**

(51) **LOC (10) Cl.** **24-02**

(52) **U.S. Cl.**
USPC **D24/152**

DESCRIPTION

(58) **Field of Classification Search**

USPC D24/152, 154–156, 176–182; 433/29
CPC A61B 19/54; A61B 19/5244; A61B 6/14;
A61B 6/145; A61B 2019/5437; A61B
2019/5466; A61B 2019/5231; A61B
34/20; A61B 2034/2055; A61B
2034/2068; A61C 9/0046

FIG. 1 is a front perspective view of a tracking pattern holder for a surgical tool according to the present invention for use with a surgical instrument;
FIG. 2 is a top view; the bottom view being a mirror image thereof;
FIG. 3 is a right side view, the left side view being a mirror image thereof;
FIG. 4 is a front view thereof;
FIG. 5 is a rear view thereof; and,
FIG. 6 is a front perspective view thereof, illustrated in use on a surgical instrument.

See application file for complete search history.

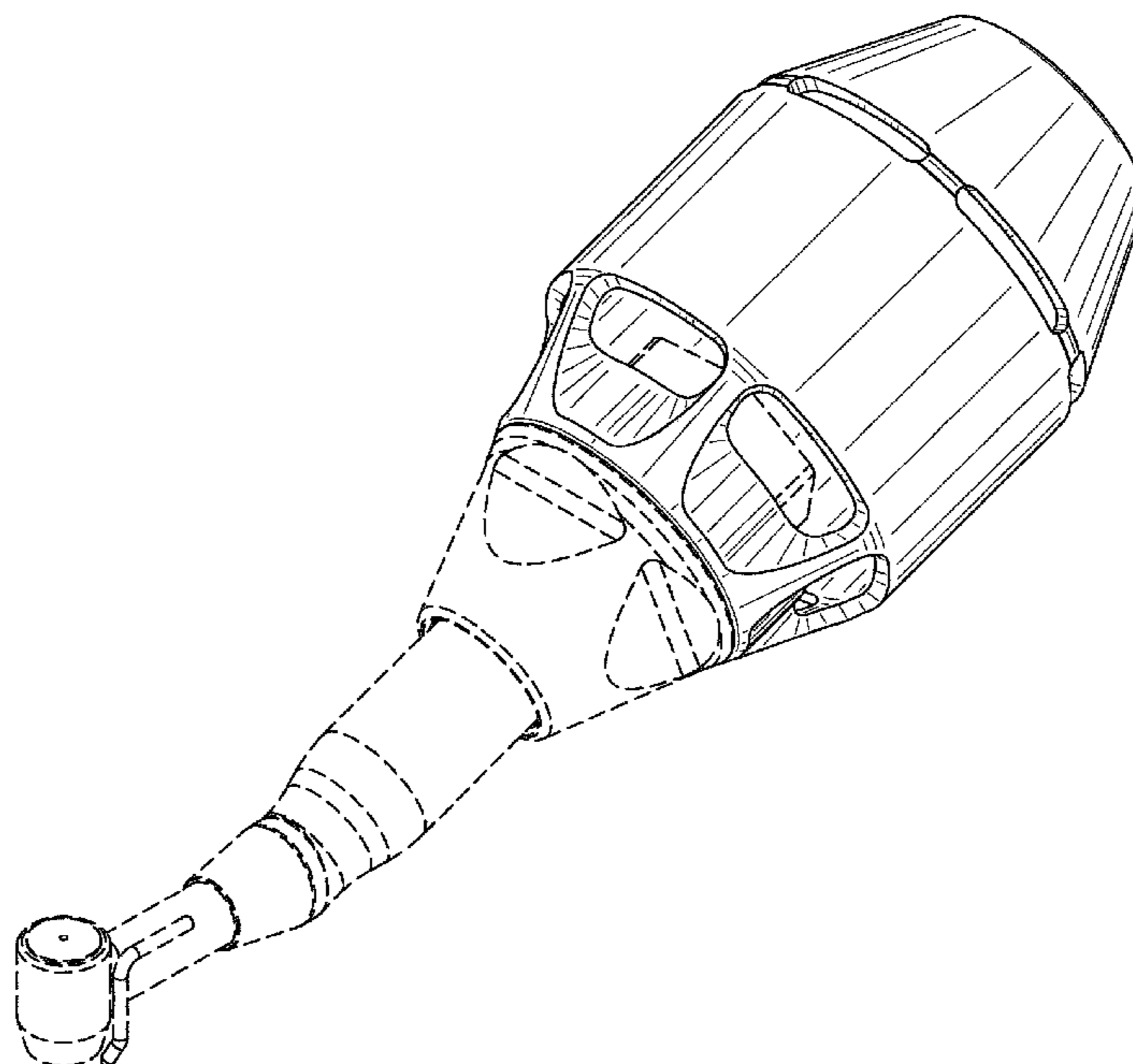
The portions of the design shown in dashed lines do not form a part of the claimed invention.

(56) **References Cited**

U.S. PATENT DOCUMENTS

D317,200 S * 5/1991 Jorneus D24/156
D519,635 S * 4/2006 Hudak D24/152

1 Claim, 5 Drawing Sheets



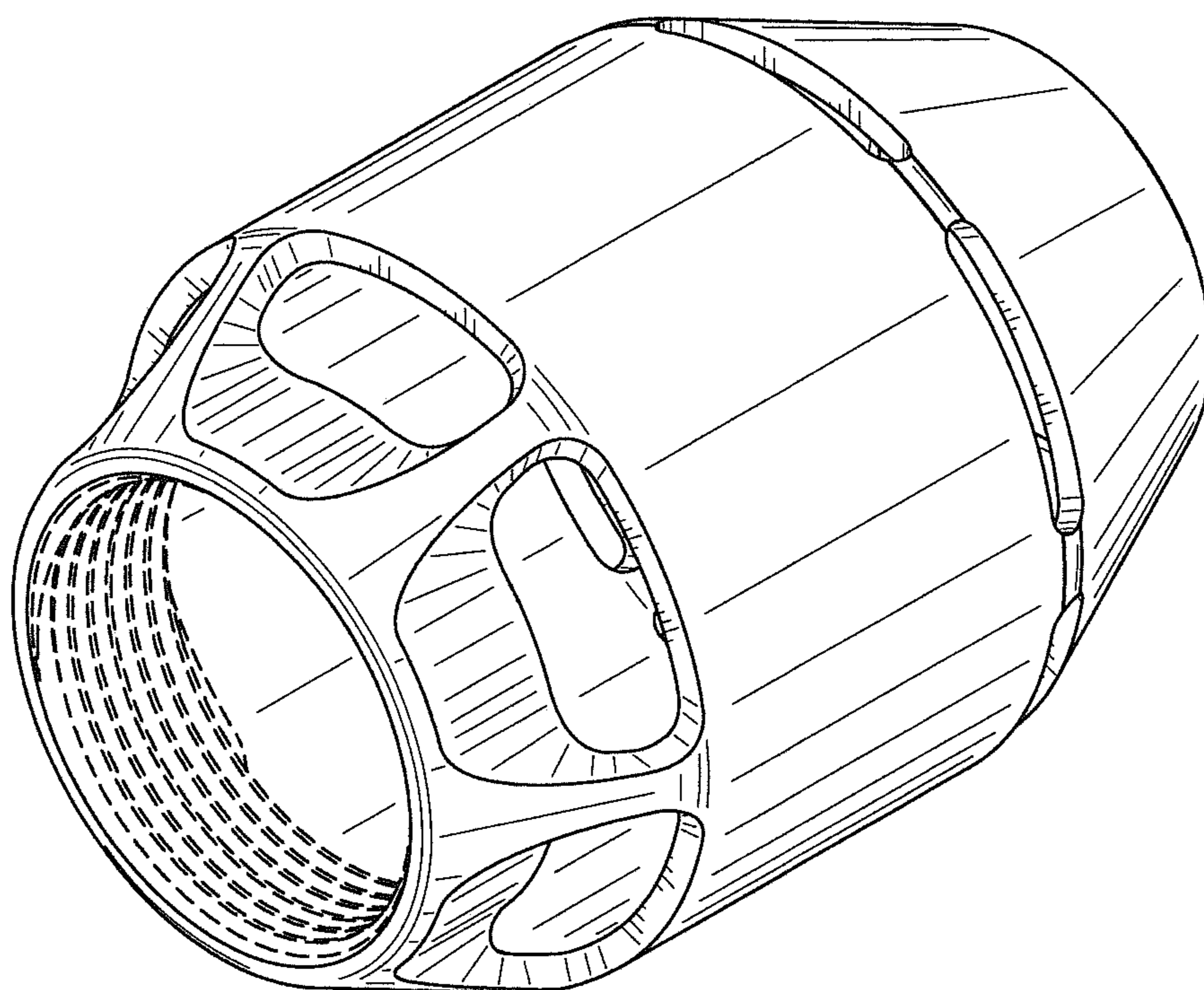


FIG. 1

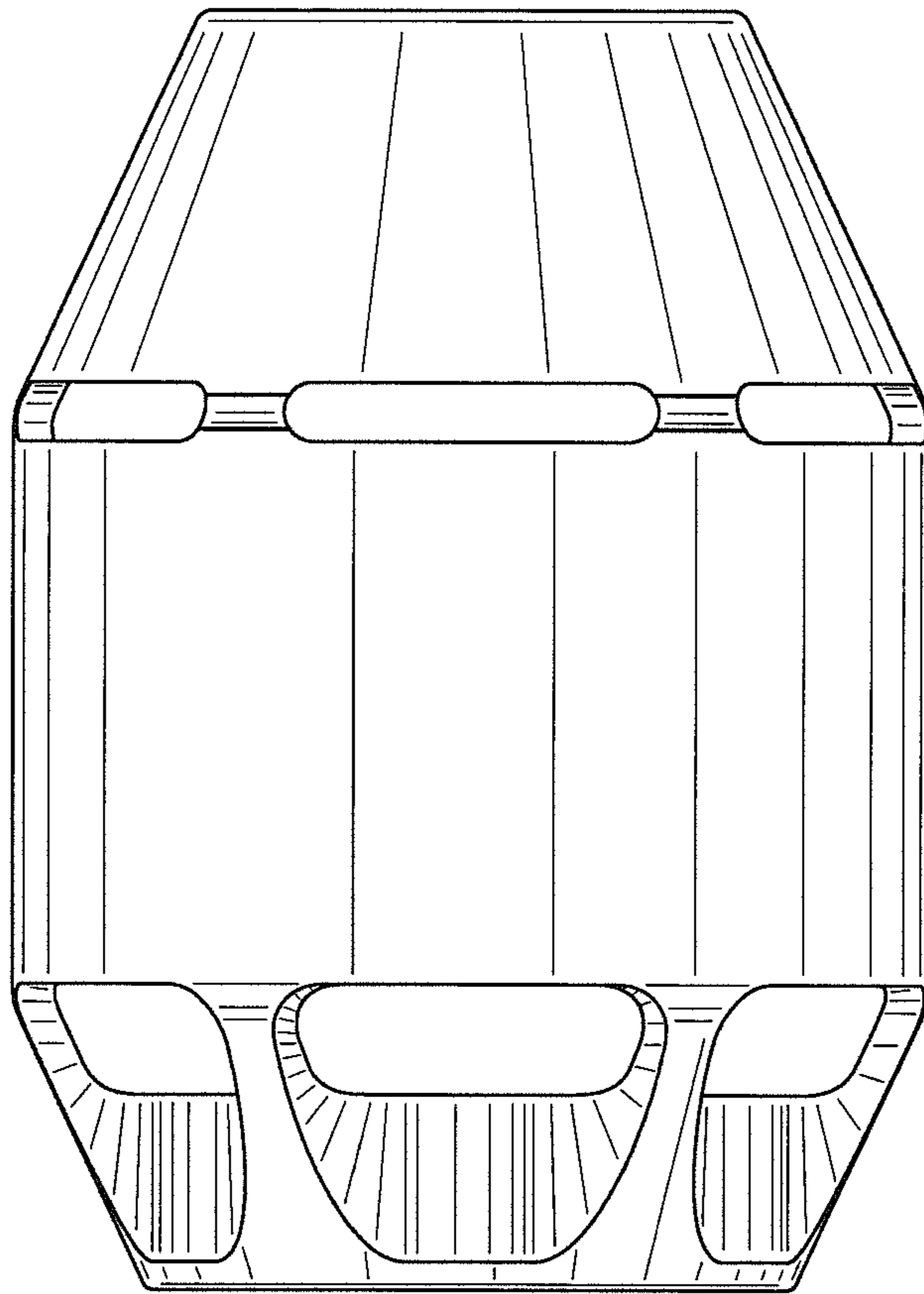


FIG. 2

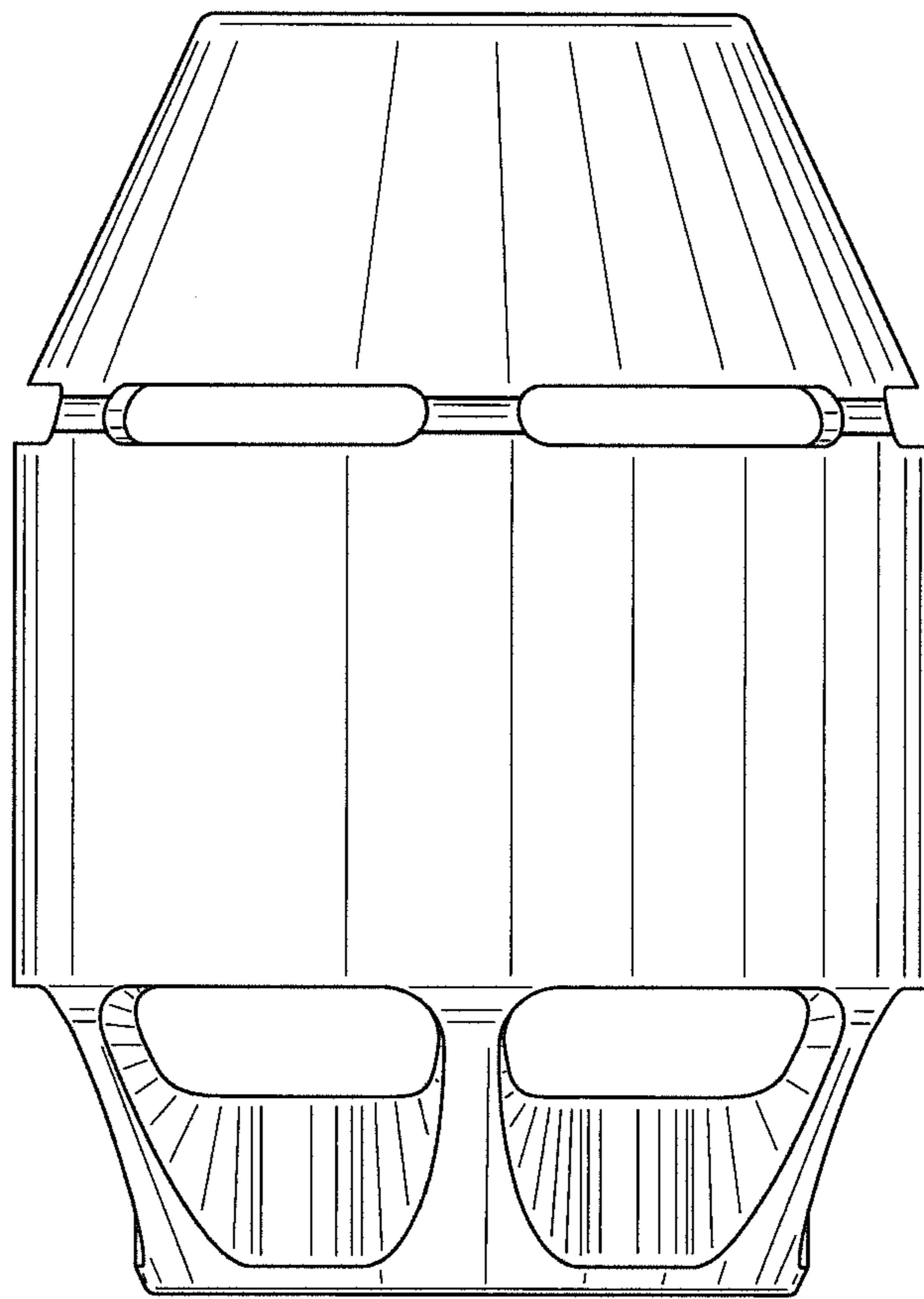


FIG. 3

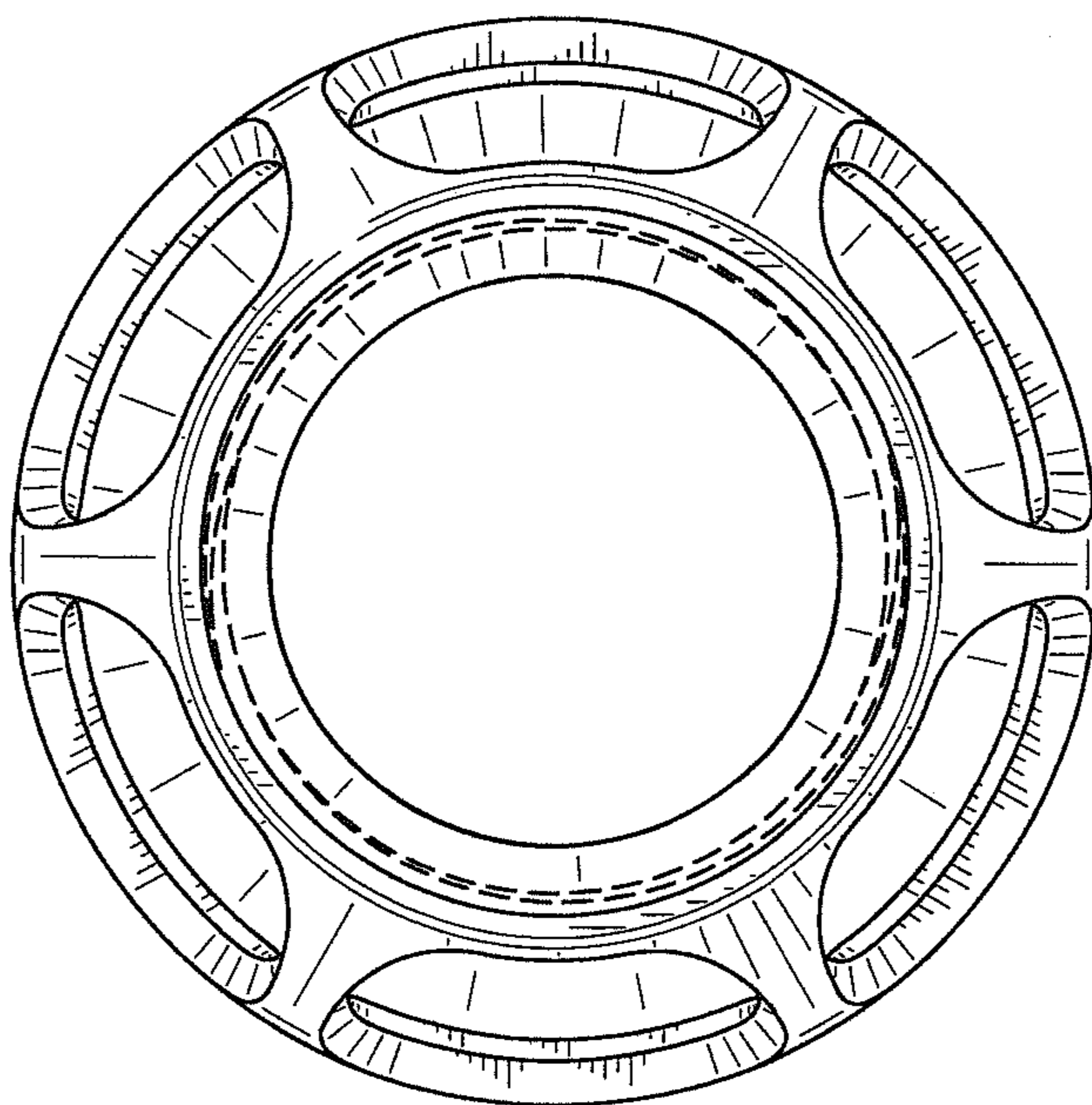


FIG. 4

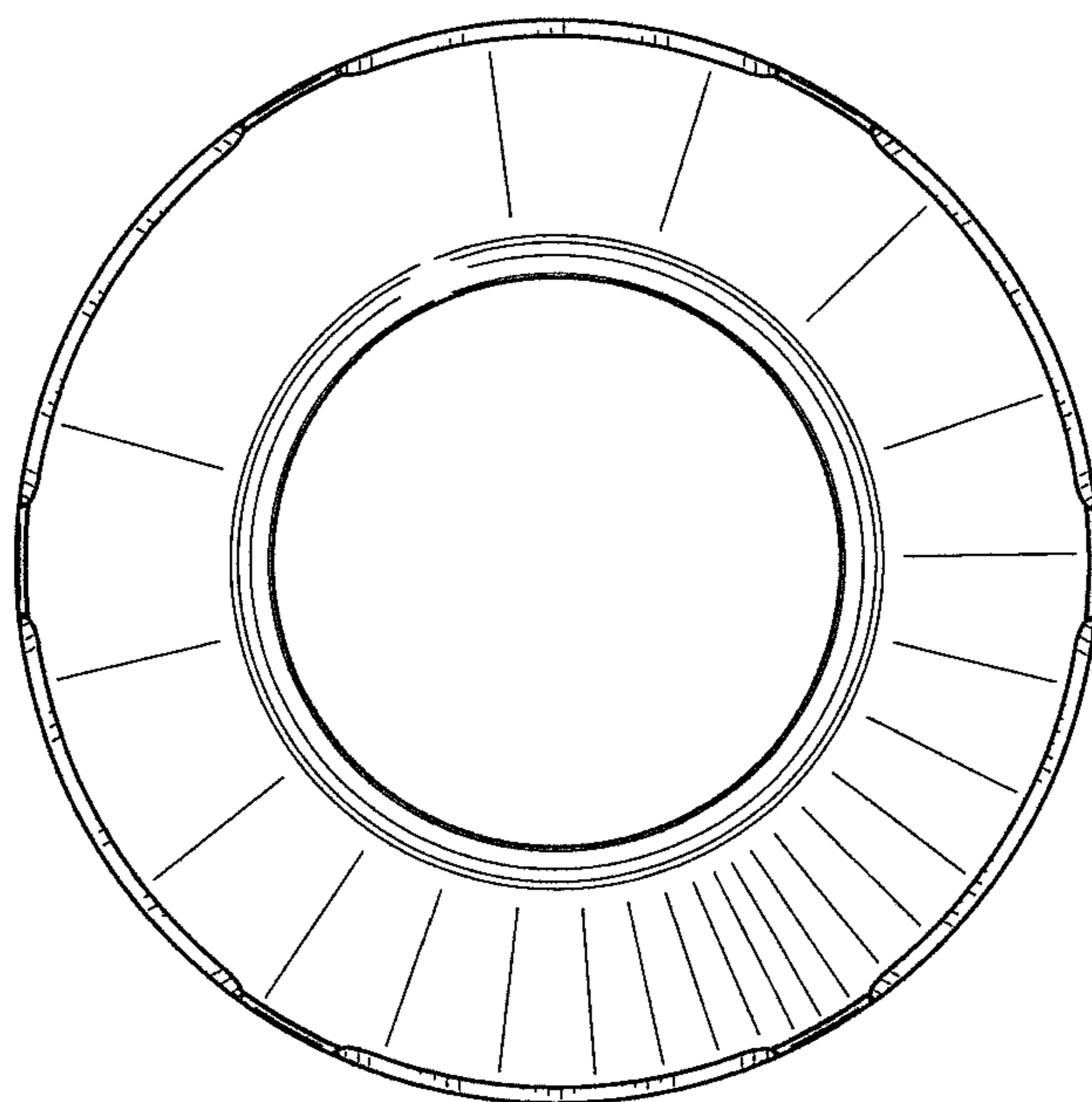


FIG. 5

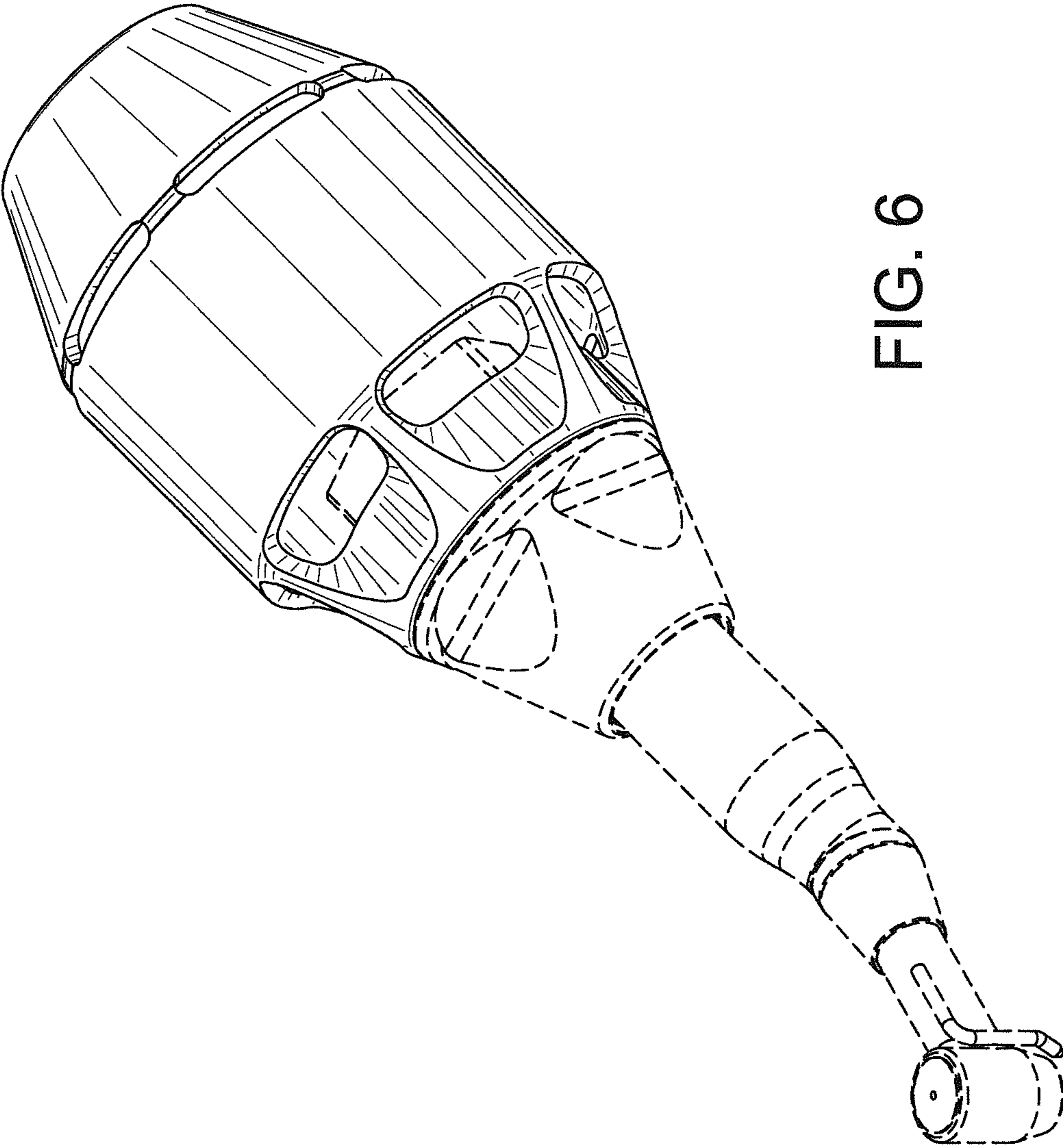


FIG. 6