



US00D779061S

(12) **United States Design Patent**
Khaw

(10) **Patent No.:** **US D779,061 S**

(45) **Date of Patent:** **** Feb. 14, 2017**

(54) **FORCEPS**

(71) Applicant: **UCL Business PLC**, London (GB)

(72) Inventor: **Peng Tee Khaw**, London (GB)

(73) Assignee: **UCL BUSINESS PLC**, London (GB)

(**) Term: **15 Years**

(21) Appl. No.: **29/536,806**

(22) Filed: **Aug. 19, 2015**

(30) **Foreign Application Priority Data**

Feb. 25, 2015 (GB) 4039841

(51) **LOC (10) Cl.** **24-02**

(52) **U.S. Cl.**
USPC **D24/143**

(58) **Field of Classification Search**

USPC D24/143, 145-147; D28/55
CPC ... A61B 17/29; A61B 17/30; A61B 2017/305;
B25B 9/02

See application file for complete search history.

(56) **References Cited**

U.S. PATENT DOCUMENTS

- 1,889,475 A * 11/1932 Henkel A61B 17/30
294/99.2
- 3,325,897 A * 6/1967 Luebke B26B 13/00
D24/143
- 4,303,268 A * 12/1981 Davidson B25B 9/02
294/99.2
- D286,326 S * 10/1986 Gautam D24/143
- 4,852,929 A * 8/1989 Shafir A61B 17/30
294/99.2
- D341,886 S * 11/1993 Stolte D24/143
- D456,076 S * 4/2002 Tyler D24/143

- D569,041 S * 5/2008 Azoulay D28/55
- 2007/0027474 A1 * 2/2007 Lasner A61B 17/30
606/219
- 2008/0234724 A1 * 9/2008 Chung A61B 17/30
606/207
- 2008/0312669 A1 * 12/2008 Vries A61B 17/062
606/148

FOREIGN PATENT DOCUMENTS

JP D1105726 * 2/2001

* cited by examiner

Primary Examiner — Wan Laymon

(74) *Attorney, Agent, or Firm* — Frommer Lawrence & Haug LLP; William S. Frommer

(57) **CLAIM**

The ornamental design for a forceps, as shown and described.

DESCRIPTION

FIG. 1 : is a perspective view of the forceps according to my invention;

FIG. 2 : is an enlarged perspective view of a right end portion thereof;

FIG. 3 : is a front view thereof;

FIG. 4 : is a rear view thereof;

FIG. 5 : is a right side view thereof;

FIG. 6 : is a left side view thereof;

FIG. 7 : is a top plan view thereof;

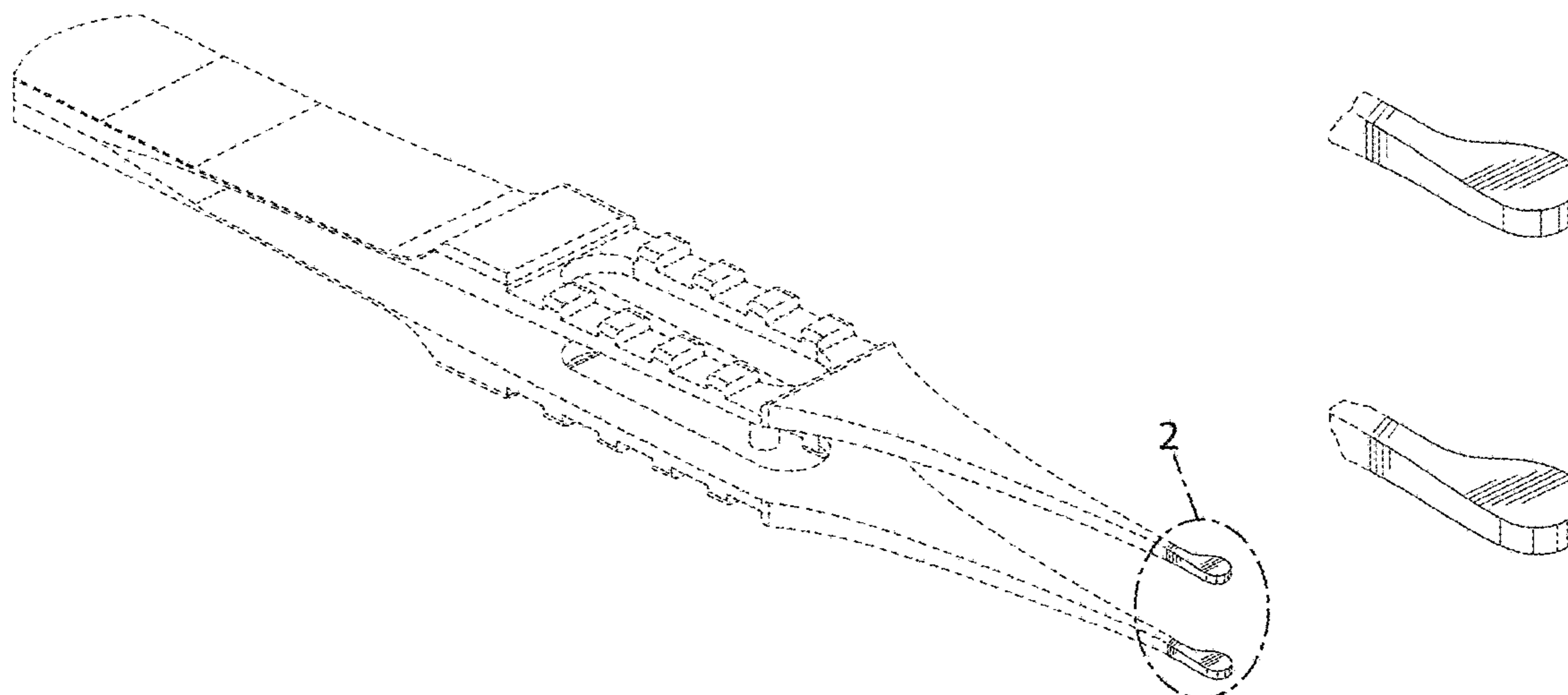
FIG. 8 : is a bottom plan view thereof;

FIG. 9 : is an enlarged top plan view of a right end portion thereof; and,

FIG. 10 : is an enlarged bottom plan view of a right end portion thereof.

The broken lines in the drawings represent environmental features and form no part of the ornamental design.

1 Claim, 3 Drawing Sheets



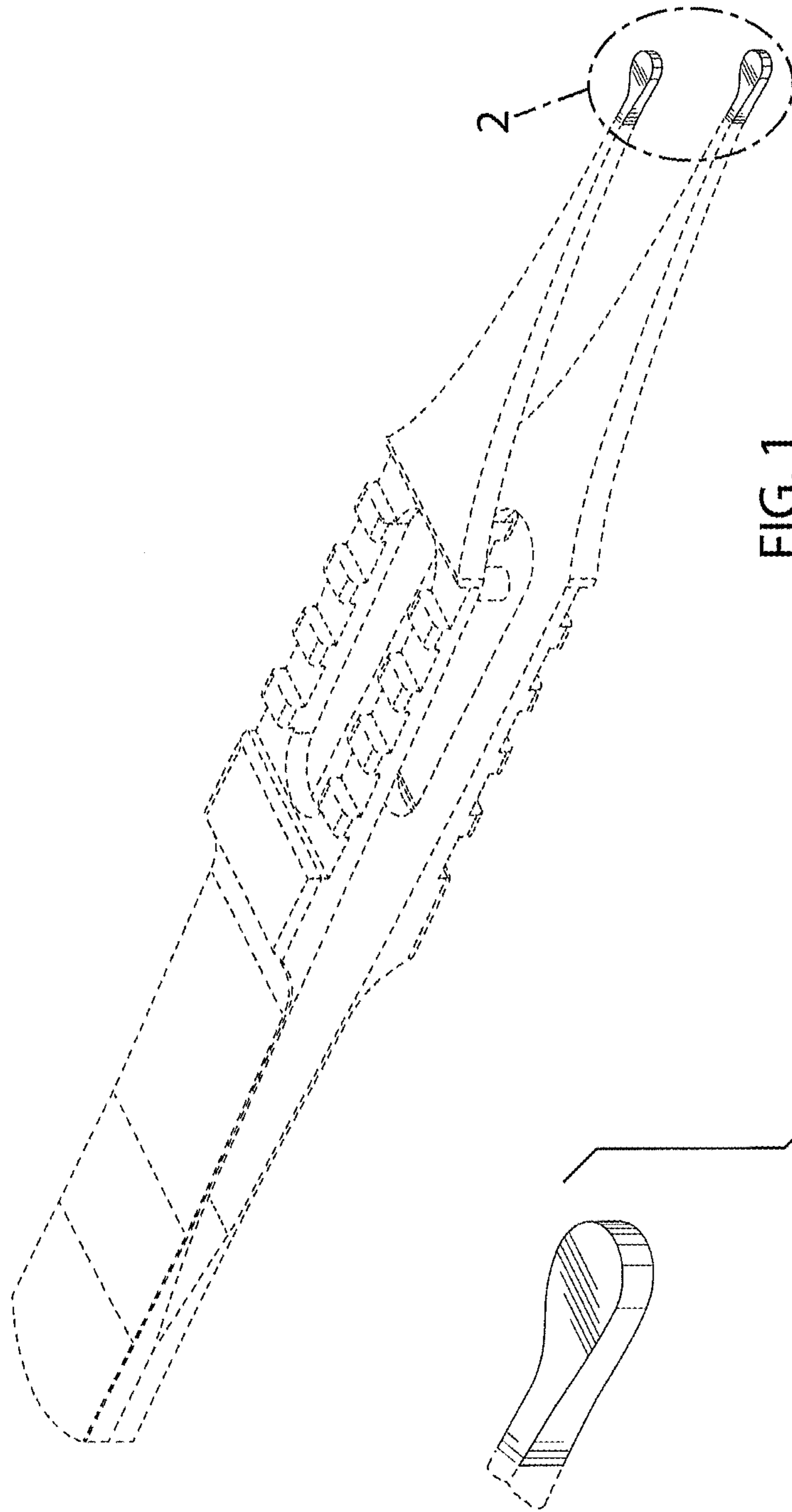


FIG. 1

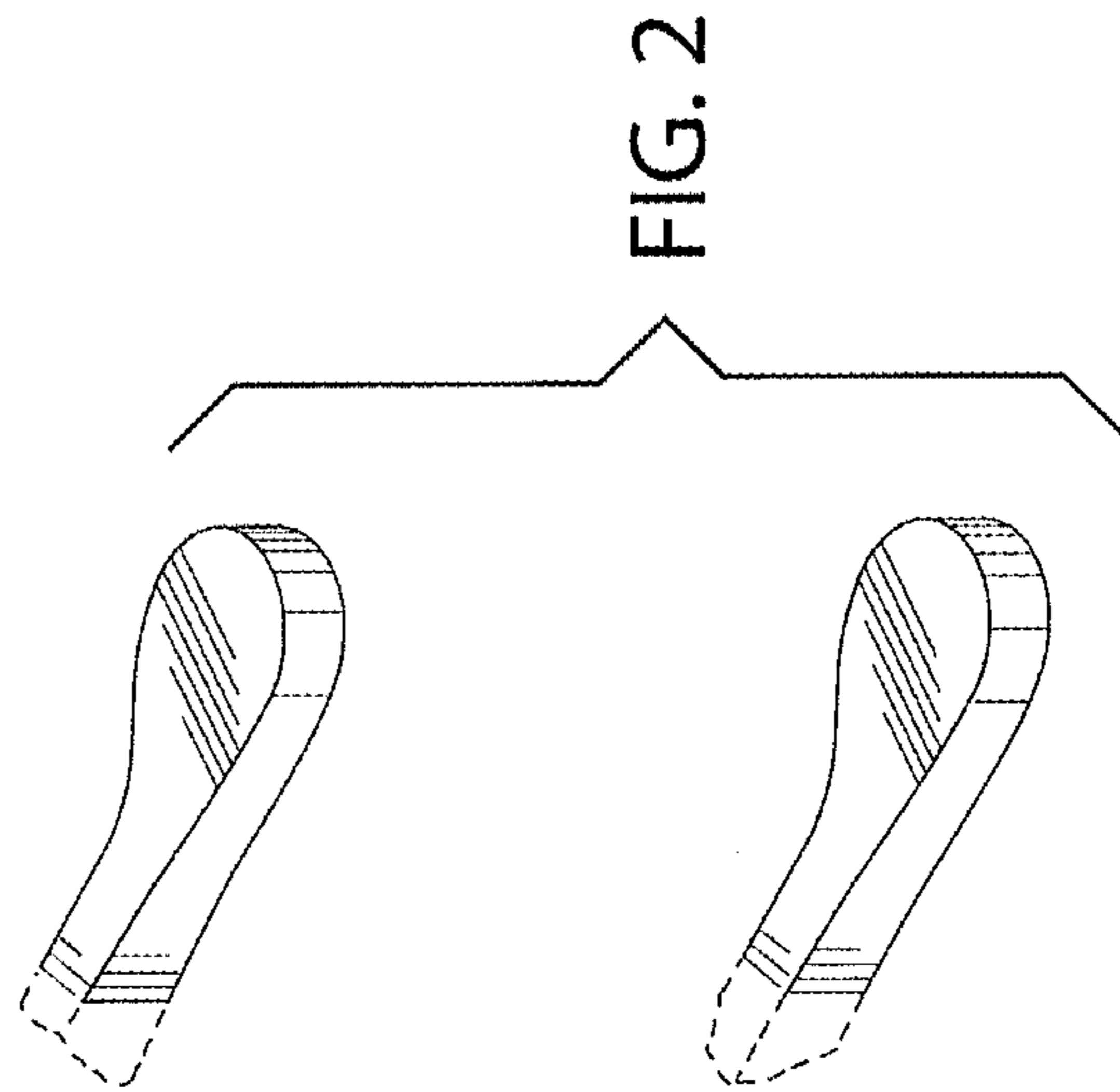


FIG. 2

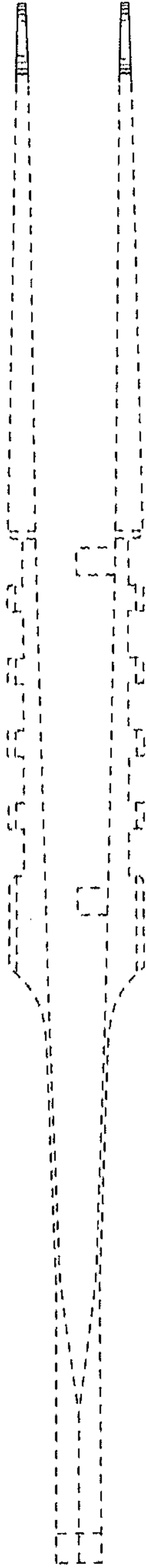


FIG. 3

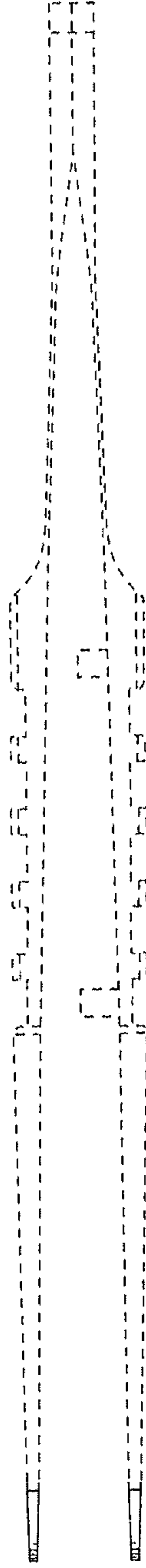


FIG. 4

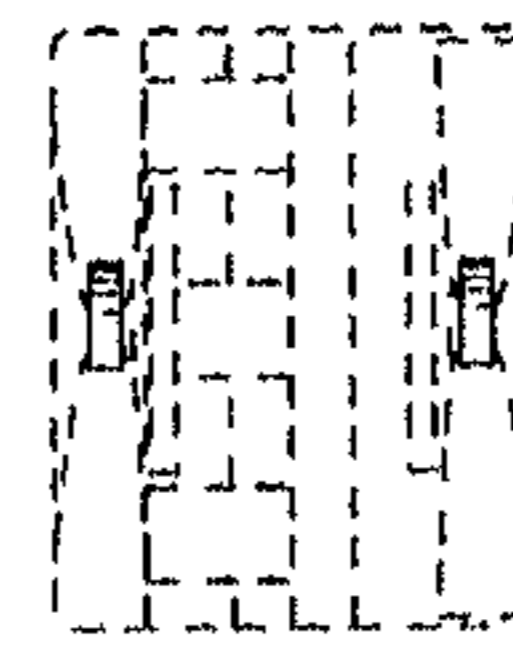


FIG. 5

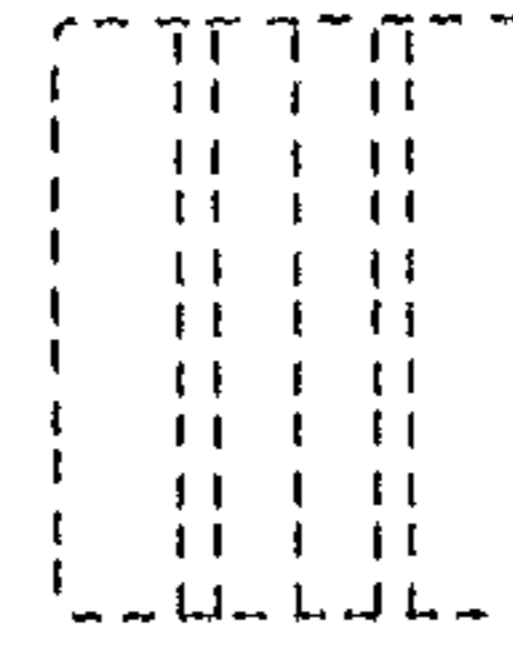


FIG. 6

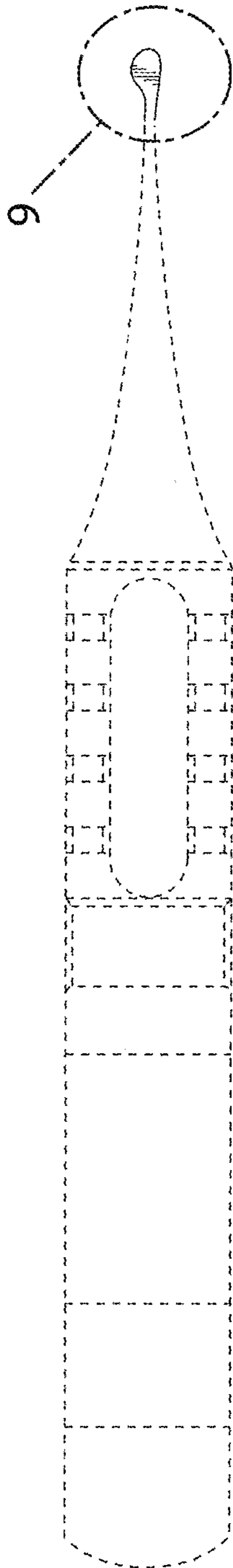


FIG. 7

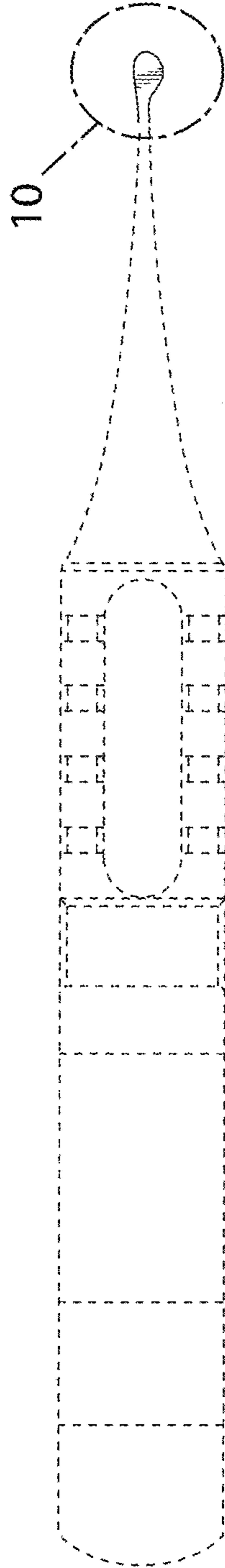


FIG. 8

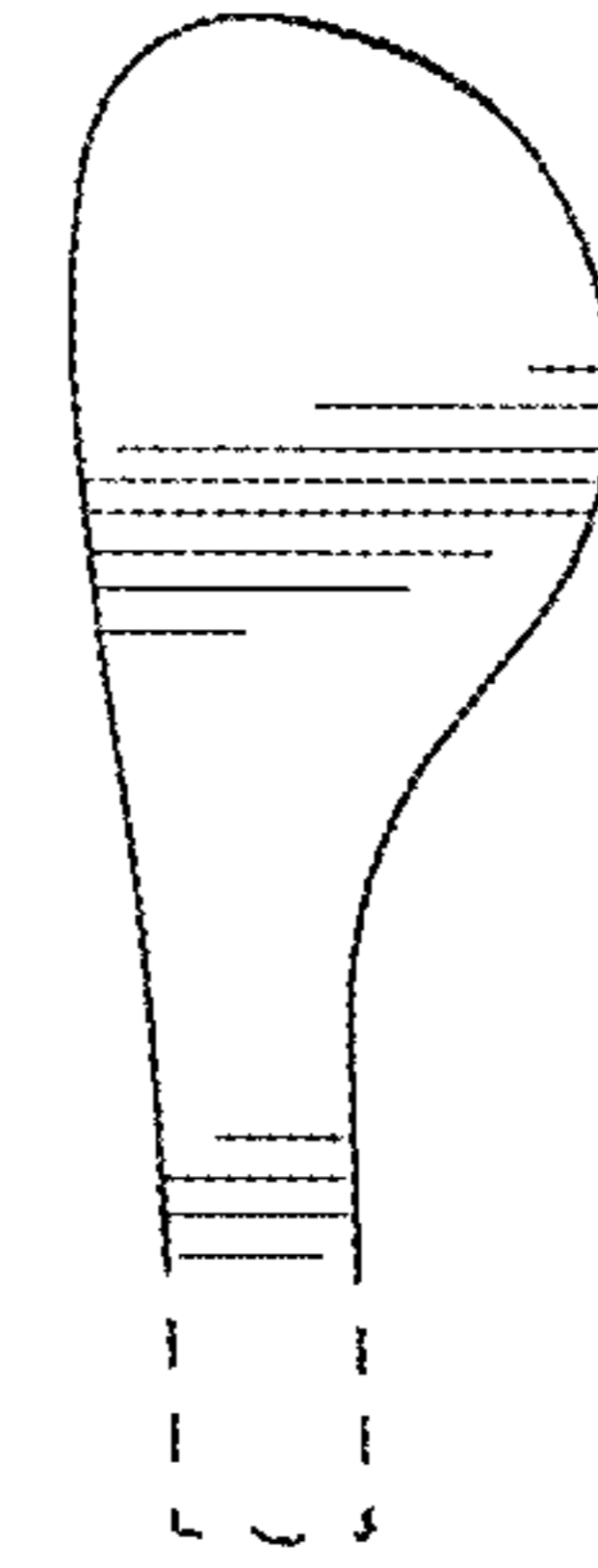


FIG. 9

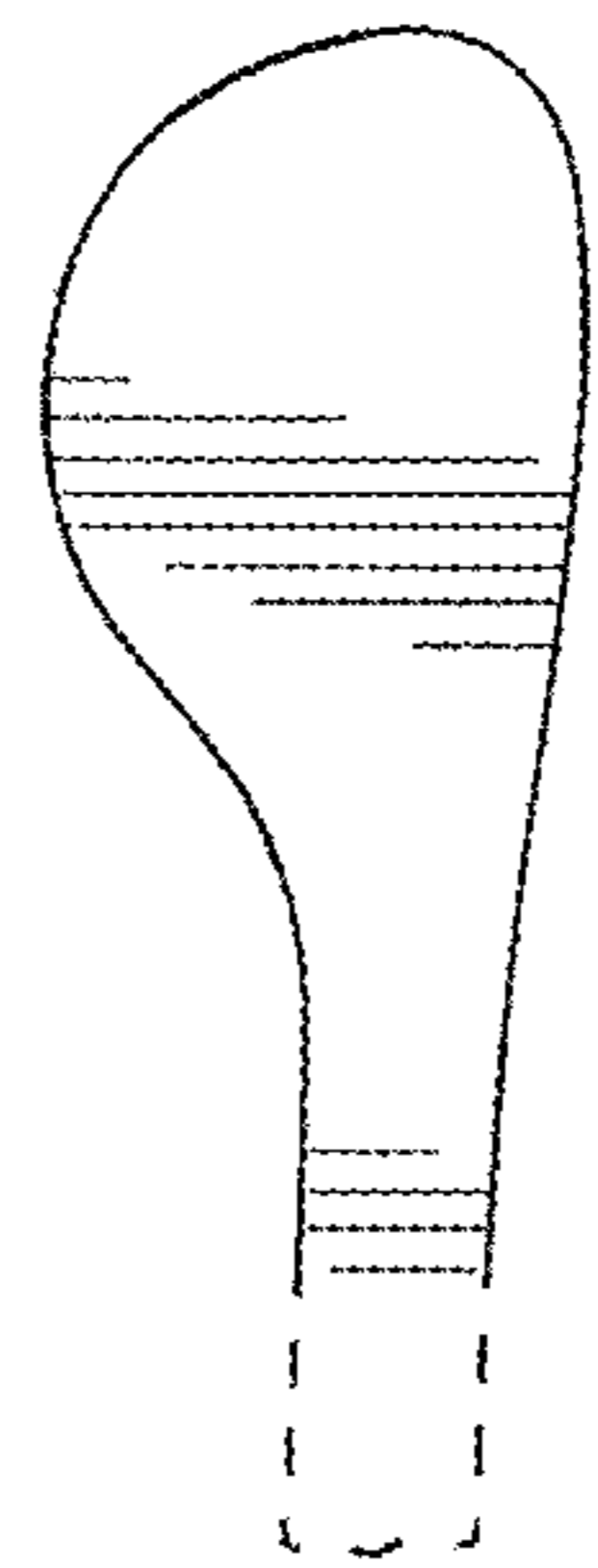


FIG. 10