



US00D779058S

(12) **United States Design Patent** (10) **Patent No.:** **US D779,058 S**  
**Nino et al.** (45) **Date of Patent:** **\*\* Feb. 14, 2017**

(54) **BULB SHAPED MEDICAL INSTRUMENT HANDLE WITH WELLS**

D318,118 S 7/1991 Michelson  
D331,625 S 12/1992 Price  
D336,957 S 6/1993 Koros  
5,391,171 A 2/1995 Schmieding

(71) Applicant: **ECA Medical Instruments**, Newbury Park, CA (US)

(Continued)

(72) Inventors: **John Nino**, Simi Valley, CA (US);  
**David Ivinson**, Camarillo, CA (US)

FOREIGN PATENT DOCUMENTS

(73) Assignee: **ECA Medical Instruments**, Newbury Park, CA (US)

EP 2168539 3/2010  
KR 20-0353368 6/2004  
WO 2005021066 10/2005

(\*\*) Term: **14 Years**

OTHER PUBLICATIONS

(21) Appl. No.: **29/524,713**

Canadian Office Action dated Sep. 11, 2014, issued in Canadian patent application 2,826,763.

(22) Filed: **Apr. 22, 2015**

(Continued)

**Related U.S. Application Data**

*Primary Examiner* — Wan Laymon

(63) Continuation-in-part of application No. 13/983,535, filed on Aug. 21, 2013, now Pat. No. 9,173,813.

(74) *Attorney, Agent, or Firm* — Baker & Hostetler LLP

(51) **LOC (10) Cl.** ..... **24-02**

(57) **CLAIM**

We claim the ornamental design for a bulb shaped medical instrument handle with wells, as shown and described.

(52) **U.S. Cl.**  
USPC ..... **D24/133**

**DESCRIPTION**

(58) **Field of Classification Search**  
USPC ..... D24/133; D8/83, 107; 81/489  
CPC ..... B25G 1/102; B25G 1/105; A61B 17/16;  
A61B 17/8875; A61B 2017/0042; A61B  
2017/00429; A61B 19/029; A61B  
19/0288; A61B 19/22  
See application file for complete search history.

FIGS. **1** and **2** are side elevations offset 180 degrees of a bulb shaped handle with wells showing our new design;  
FIGS. **3** and **4** are top and bottom elevations offset 180 degrees of a bulb shaped handle with wells showing our new design;  
FIG. **5** is a front view thereof;  
FIG. **6** is a rear view thereof;  
FIG. **7** is a perspective view front to back thereof; and,  
FIG. **8** is a perspective view rear to front.

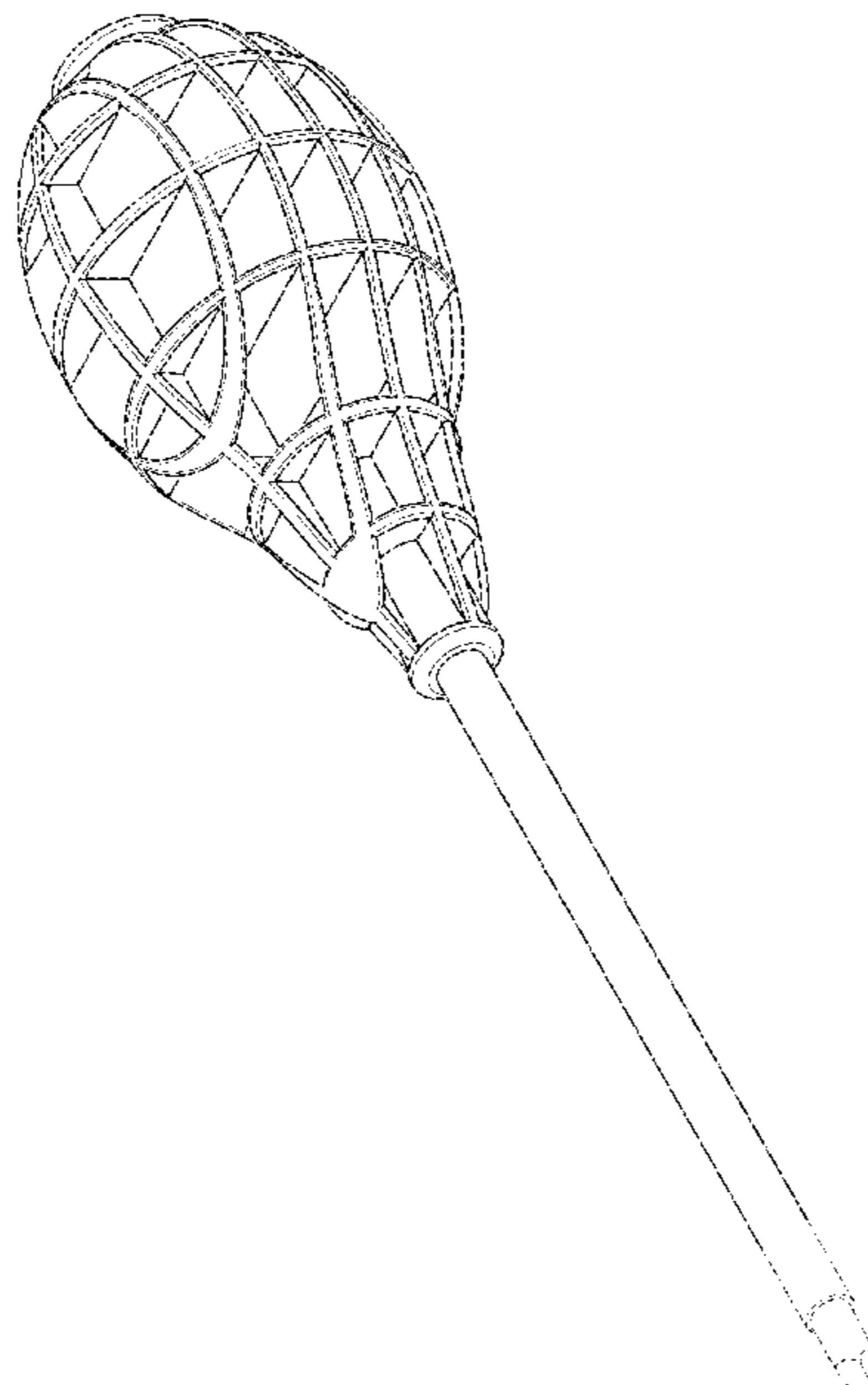
(56) **References Cited**

U.S. PATENT DOCUMENTS

267,517 A 11/1882 Gray  
D37,997 S 5/1906 Tower  
4,091,497 A 5/1978 Bade  
4,414,974 A 11/1983 Dotson et al.

The broken lines showing the remainder of the medical instrument are directed to environment and are for illustrative purposes only; the broken lines form no part of the claimed design.

**1 Claim, 5 Drawing Sheets**



(56)

References Cited

U.S. PATENT DOCUMENTS

5,464,407 A 11/1995 McGuire  
 D379,510 S 5/1997 Bays  
 D490,896 S \* 6/2004 Bogazzi ..... D24/133  
 6,960,206 B2 11/2005 Keane  
 D513,378 S 1/2006 Lin  
 D520,320 S 5/2006 Corcoran  
 D531,310 S \* 10/2006 Wolter ..... D24/133  
 D551,052 S 9/2007 Lin  
 D553,464 S 10/2007 Rinner  
 7,334,509 B1 2/2008 Gao  
 D619,716 S 7/2010 Wagner  
 D627,882 S 11/2010 Slowley et al.  
 D646,545 S \* 10/2011 Molina ..... D8/83  
 D652,137 S \* 1/2012 Nino ..... D24/133  
 D652,138 S 1/2012 Nino et al.  
 8,236,010 B2 8/2012 Ortiz et al.  
 D700,033 S 2/2014 Lin  
 8,814,935 B2 \* 8/2014 Paulos ..... A61B 17/8875  
 606/104  
 D724,201 S 3/2015 Homsy  
 9,060,748 B2 6/2015 Housman et al.  
 D737,443 S 8/2015 Ciravolo et al.  
 2002/0114920 A1 8/2002 Scholtz et al.

2003/0023247 A1 1/2003 Lind et al.  
 2003/0070514 A1 \* 4/2003 Kilgore ..... B25G 1/105  
 81/489  
 2003/0120272 A1 6/2003 Schneider et al.  
 2003/0191474 A1 10/2003 Cragg et al.  
 2004/0127888 A1 7/2004 O'Neil et al.  
 2006/0074374 A1 4/2006 Gresham  
 2007/0016219 A1 \* 1/2007 Levine ..... A61B 17/8875  
 606/99  
 2007/0027230 A1 2/2007 Beyar et al.  
 2009/0198263 A1 8/2009 LaFauci et al.  
 2009/0306657 A1 12/2009 Piippo et al.  
 2011/0144671 A1 6/2011 Piippo et al.  
 2014/0276893 A1 \* 9/2014 Schaller ..... A61B 17/8875  
 606/104  
 2015/0374426 A1 \* 12/2015 Galm ..... A61B 17/8875  
 81/438  
 2016/0008523 A1 \* 1/2016 Nino ..... A61B 17/16  
 604/319

OTHER PUBLICATIONS

European Search Report dated Jun. 18, 2014, issued in European patent application 12745227.4.

\* cited by examiner

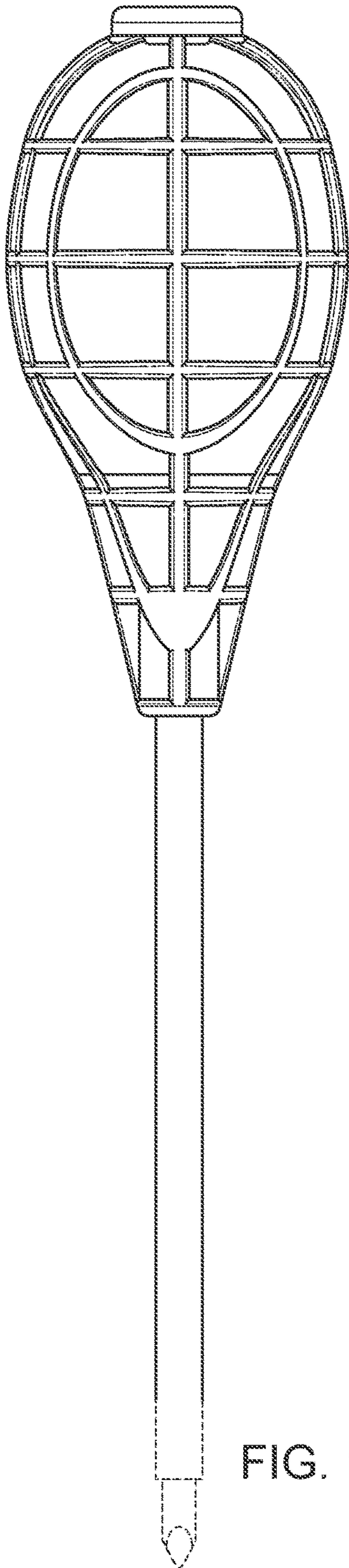


FIG. 1

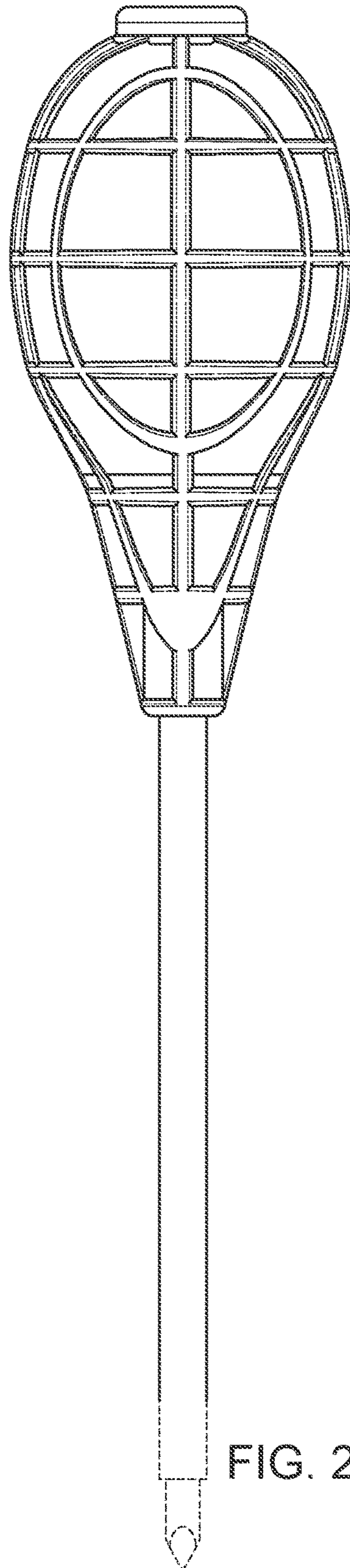


FIG. 2

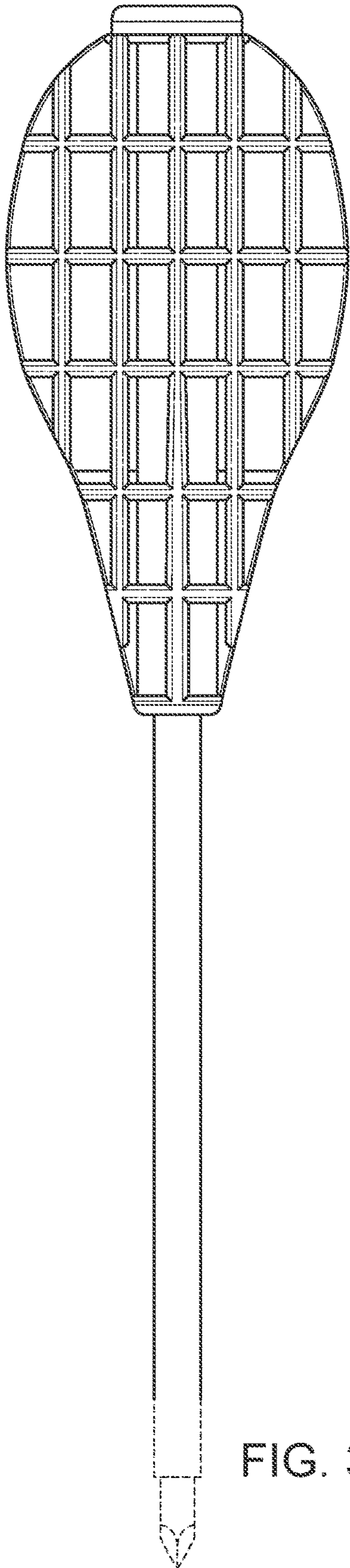


FIG. 3

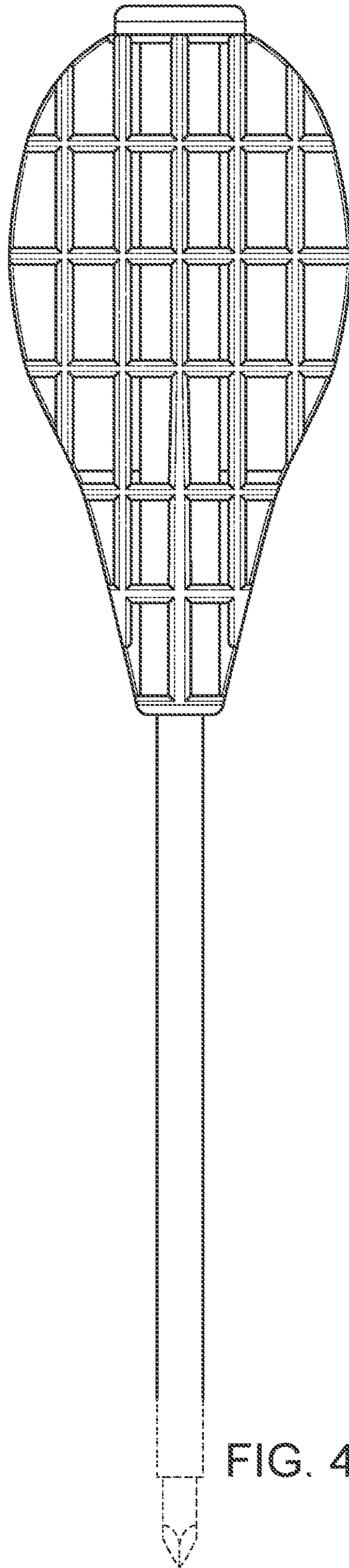


FIG. 4

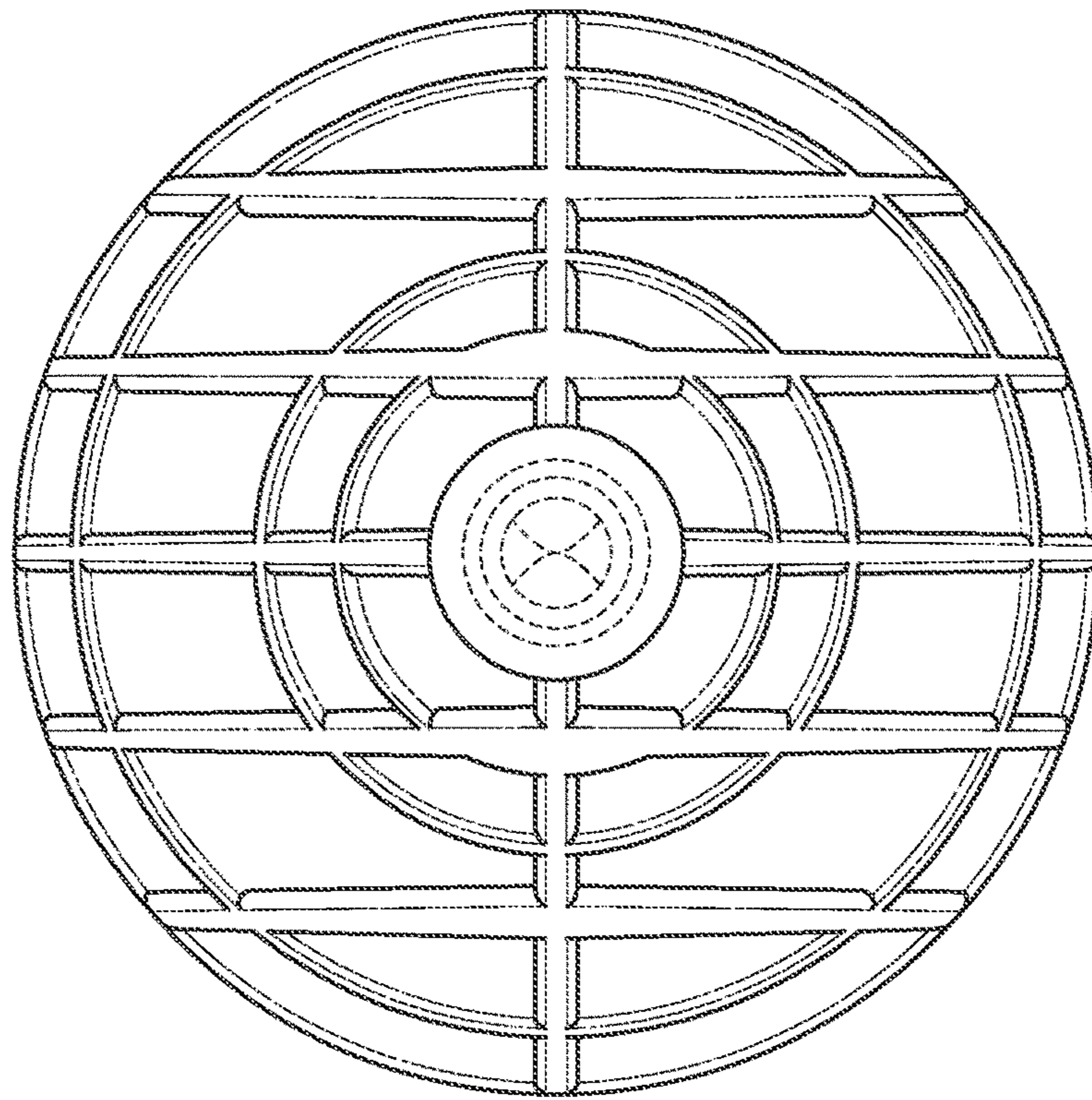


FIG. 5

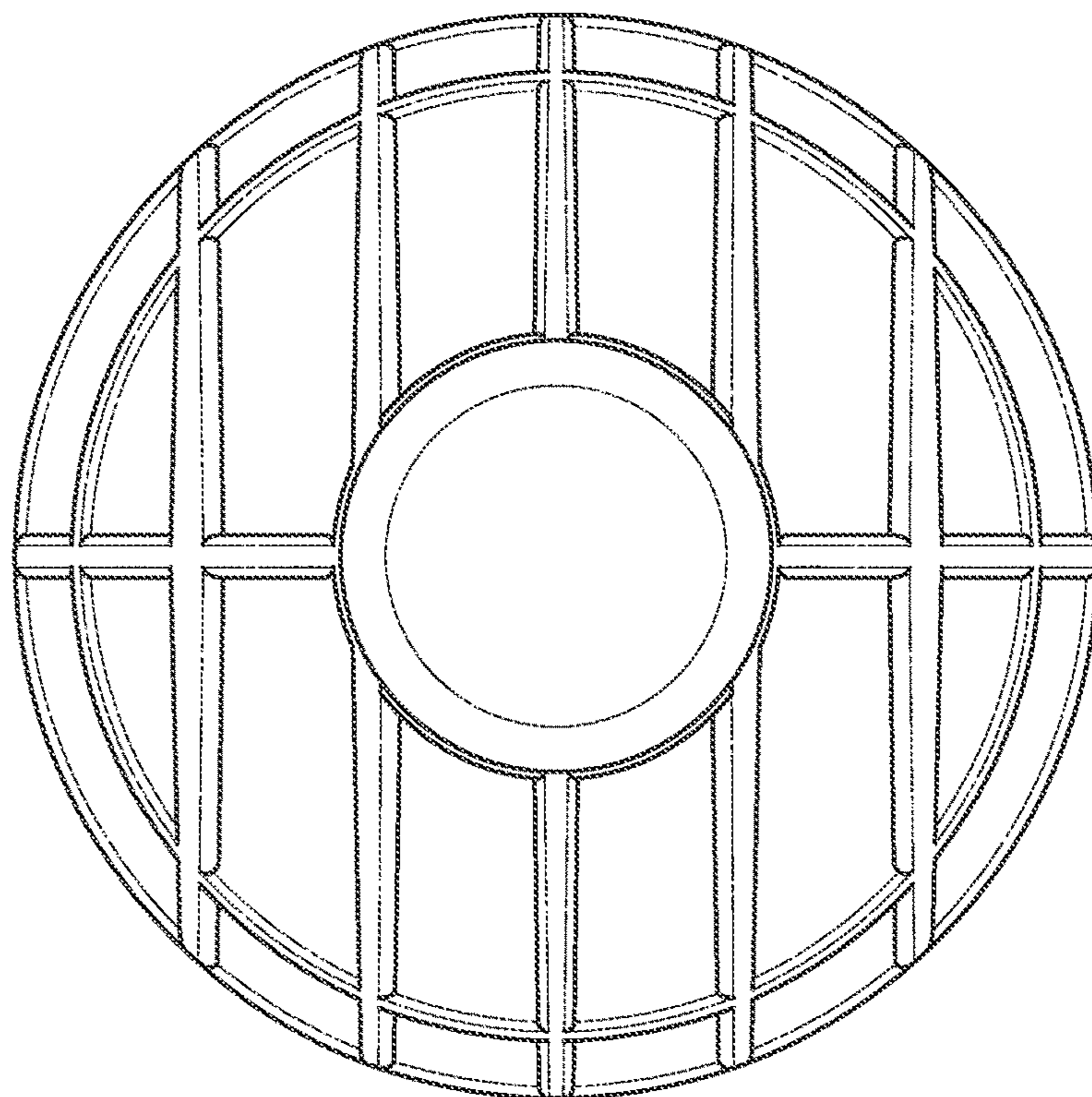


FIG. 6

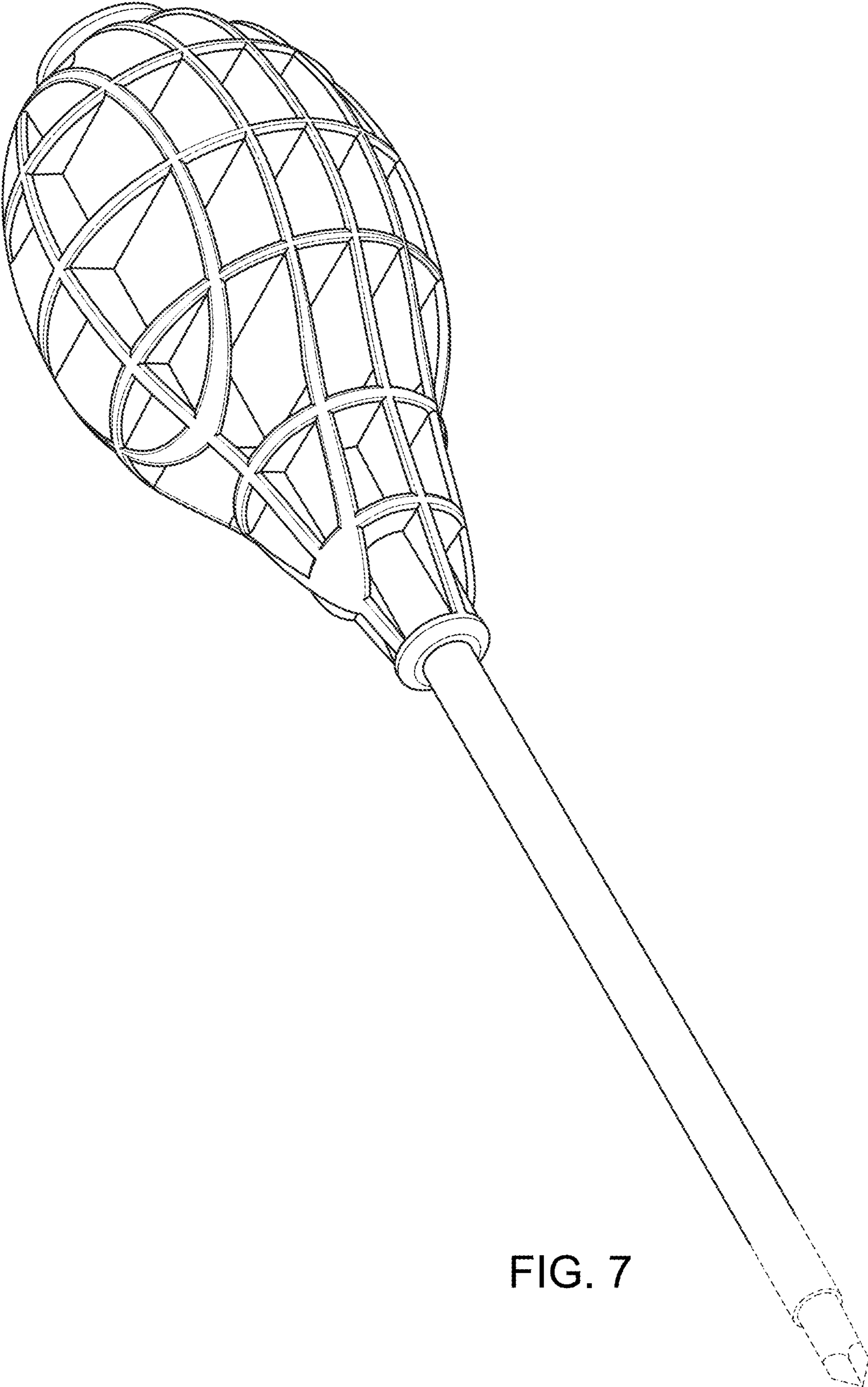


FIG. 7

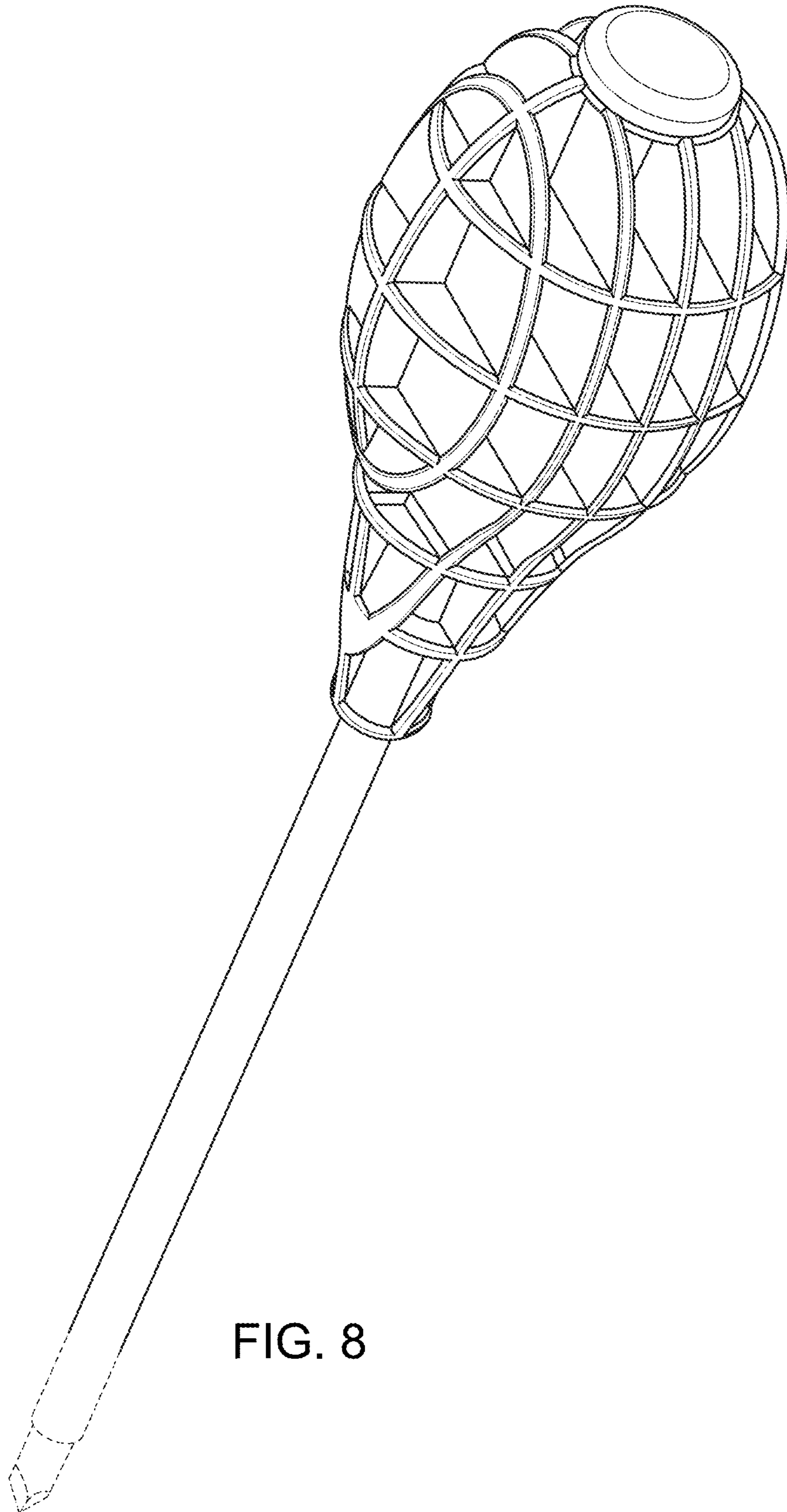


FIG. 8