



US00D779054S

(12) **United States Design Patent**
Mehta

(10) **Patent No.:** **US D779,054 S**

(45) **Date of Patent:** **** Feb. 14, 2017**

(54) **ASPIRATOR**

D678,501 S * 3/2013 Champe D24/108
D717,173 S * 11/2014 Wechsler D9/435
8,888,752 B2 * 11/2014 Cacka A61H 35/04
604/278

(71) Applicant: **Ketan C. Mehta**, Santa Rosa, CA (US)

(72) Inventor: **Ketan C. Mehta**, Santa Rosa, CA (US)

(**) Term: **14 Years**

(21) Appl. No.: **29/520,032**

(22) Filed: **Mar. 10, 2015**

(51) **LOC (10) Cl.** **24-02**

(52) **U.S. Cl.**
USPC **D24/115**

(58) **Field of Classification Search**
USPC D24/108, 110, 111, 115; D9/516, 529,
D9/545, 551, 558, 563, 564, 689, 691,
D9/694, 724; 604/540, 217, 275
See application file for complete search history.

(56) **References Cited**

U.S. PATENT DOCUMENTS

4,258,714 A * 3/1981 Leopoldi A61M 3/0262
604/118
D299,866 S * 2/1989 Alexander D24/115
D305,262 S * 12/1989 Nichols D24/115
D426,300 S * 6/2000 Conforti D24/115
D478,164 S * 8/2003 Wang D24/108
D481,793 S * 11/2003 Rao D24/108
D590,493 S * 4/2009 Harlan D24/108
D627,458 S * 11/2010 Bisson D24/115

FOREIGN PATENT DOCUMENTS

EP 001505488-0001 6/2009

* cited by examiner

Primary Examiner — Ian Simmons

Assistant Examiner — Samantha Q Lawrence

(74) *Attorney, Agent, or Firm* — Fish & Richardson P.C.

(57) **CLAIM**

The ornamental design for an aspirator, substantially as shown and described.

DESCRIPTION

FIG. 1 is a front perspective view of an aspirator showing my new design.

FIG. 2 is a front view of my aspirator.

FIG. 3 is a back view of my aspirator.

FIG. 4 is a right side view of my aspirator.

FIG. 5 is a left side view of my aspirator.

FIG. 6 is a top view of my aspirator; and,

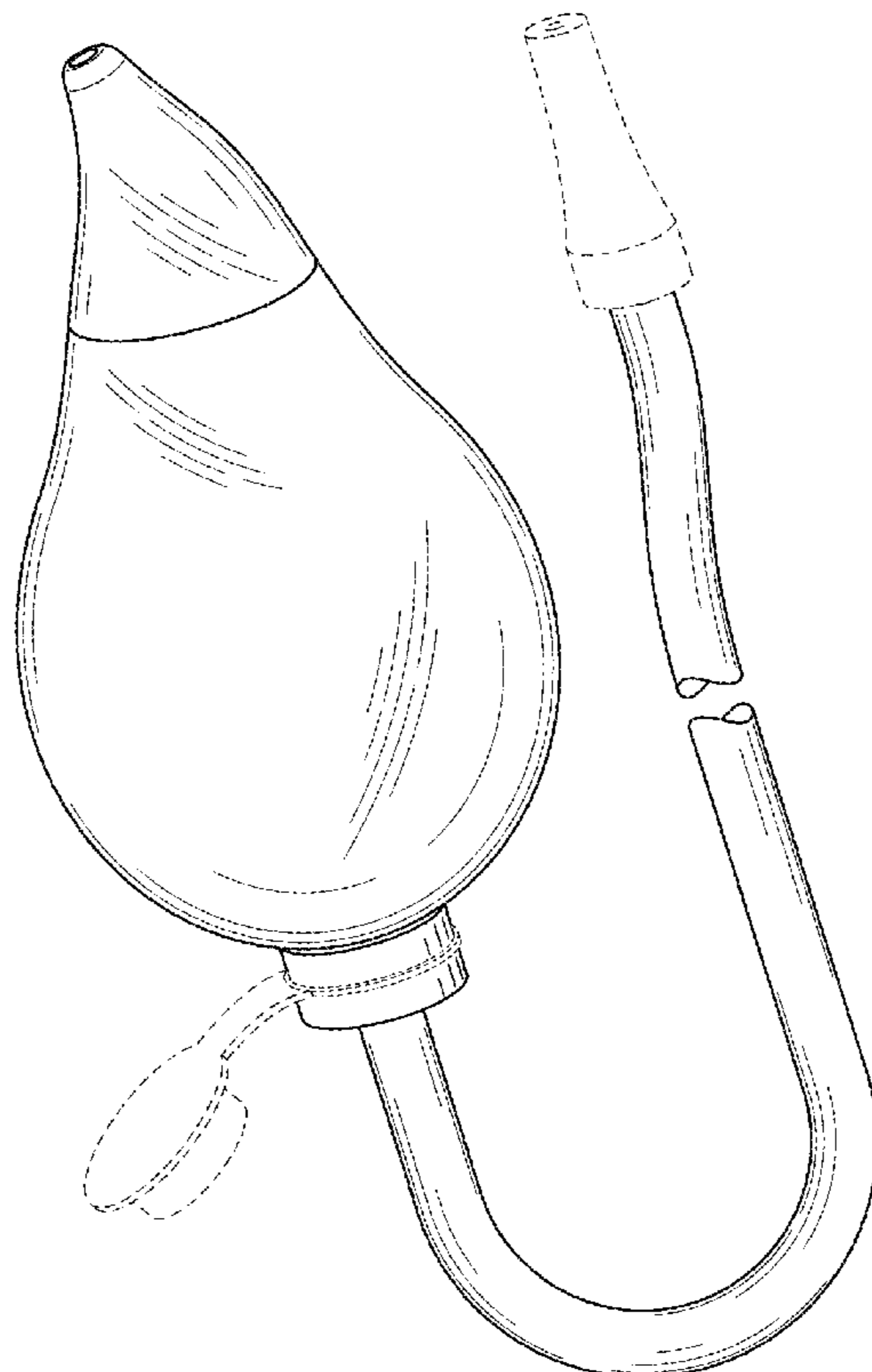
FIG. 7 is a bottom view of my aspirator.

The broken lines shown in FIGS. 1-7 illustrate portions of the aspirator that form no part of the claimed design.

The aspirator is shown with a symbolic break in its length.

The appearance of any portion of the article between the break lines forms no part of the claimed design.

1 Claim, 5 Drawing Sheets



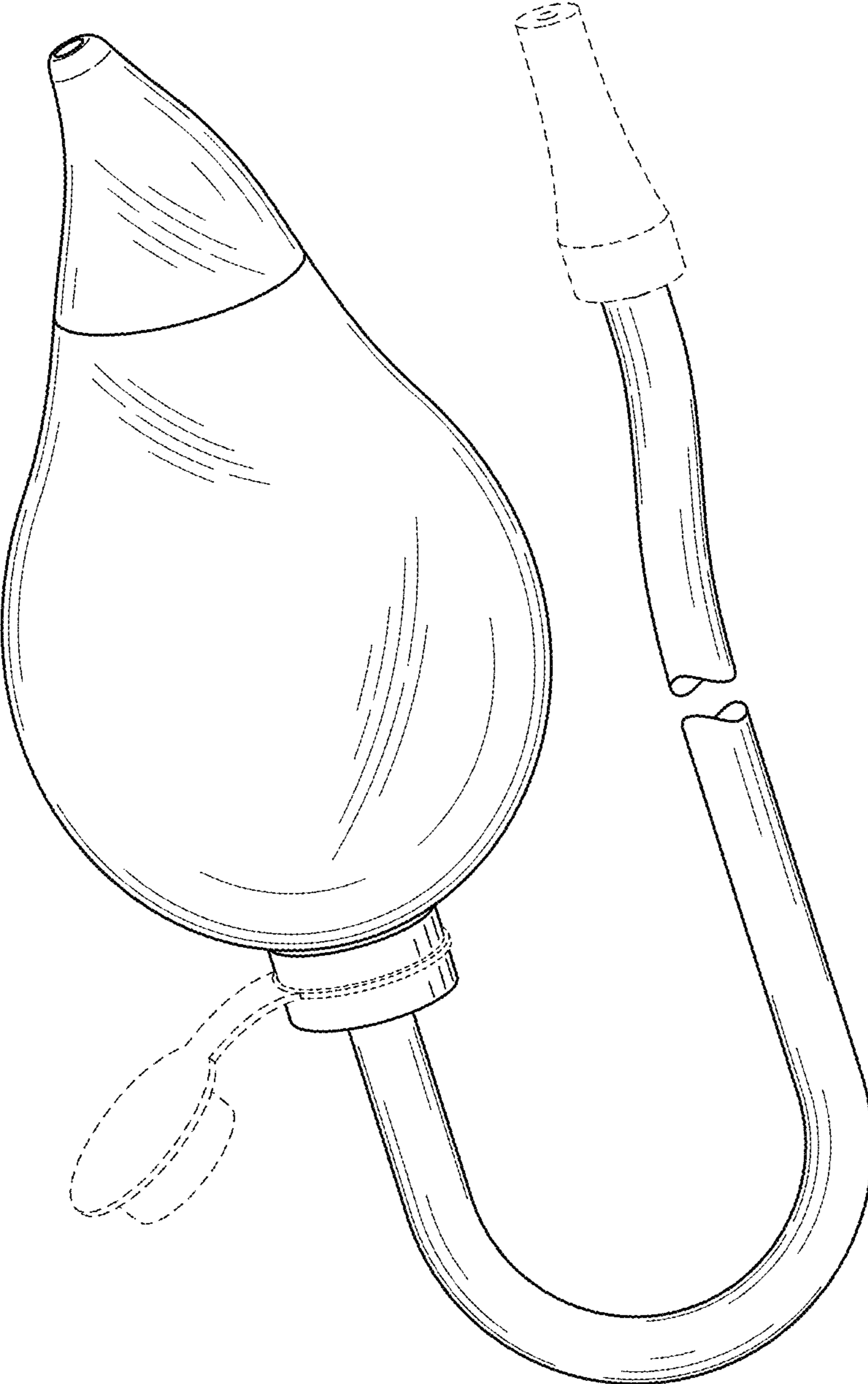


FIG. 1

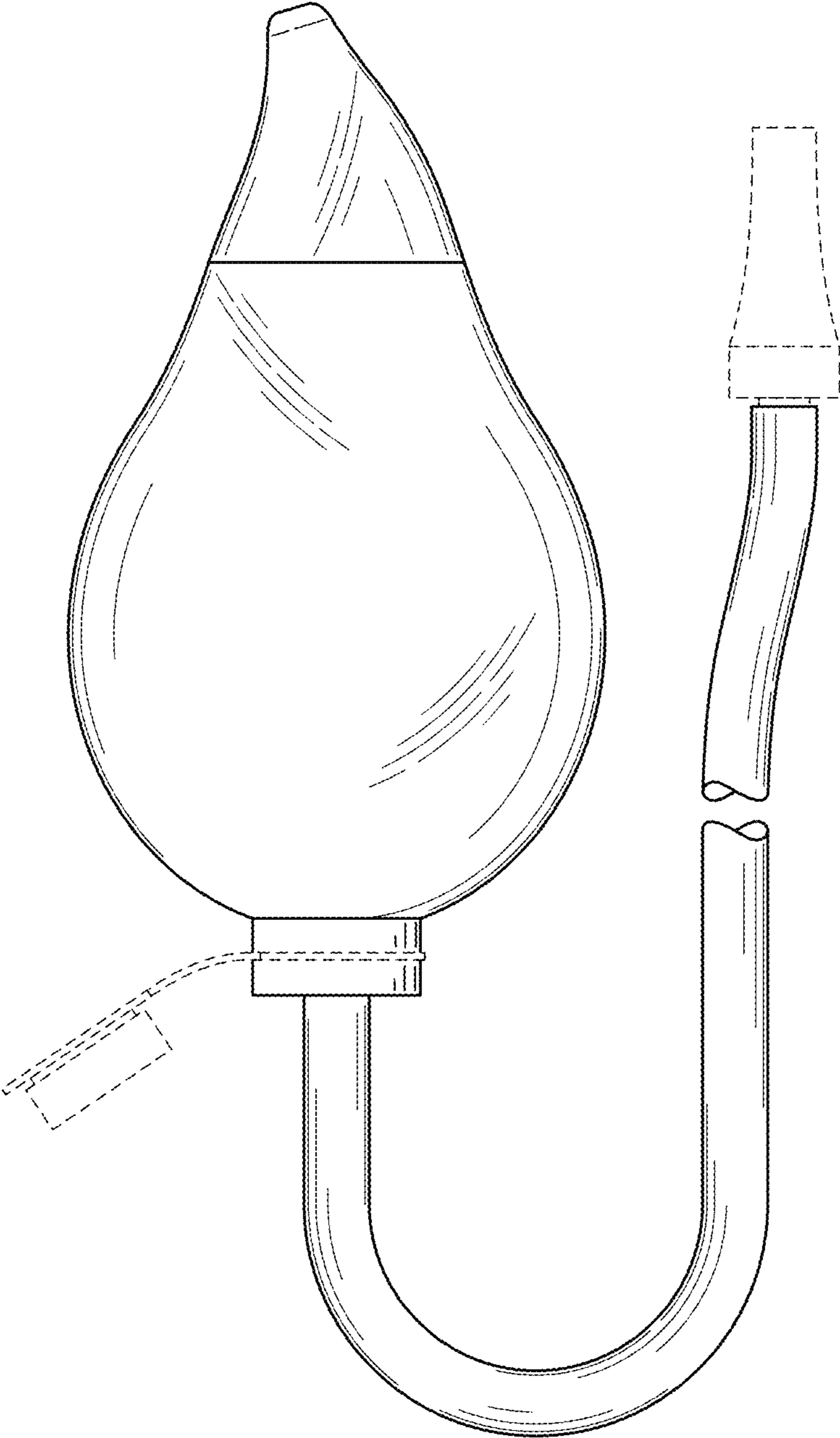


FIG. 2

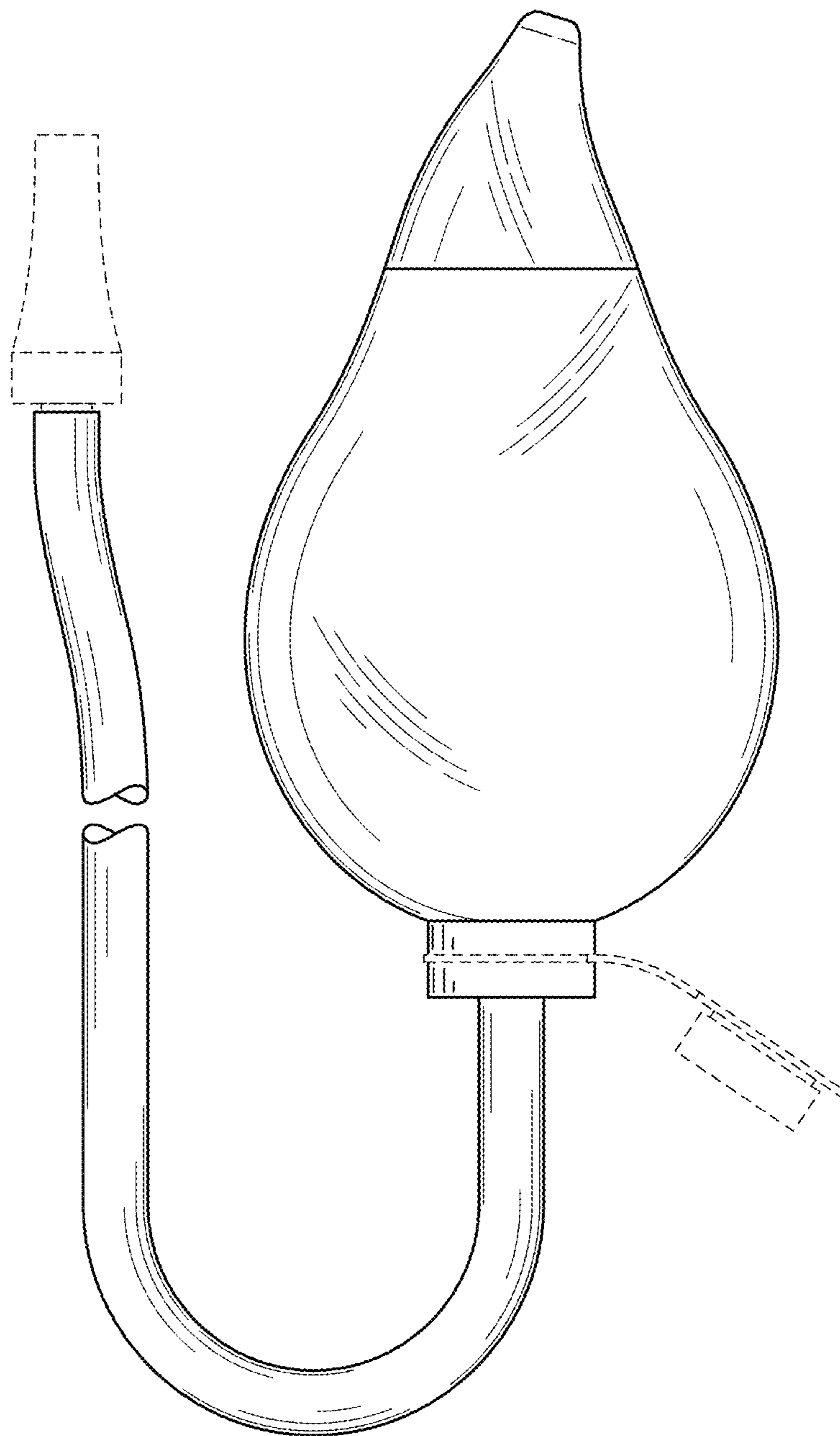


FIG. 3

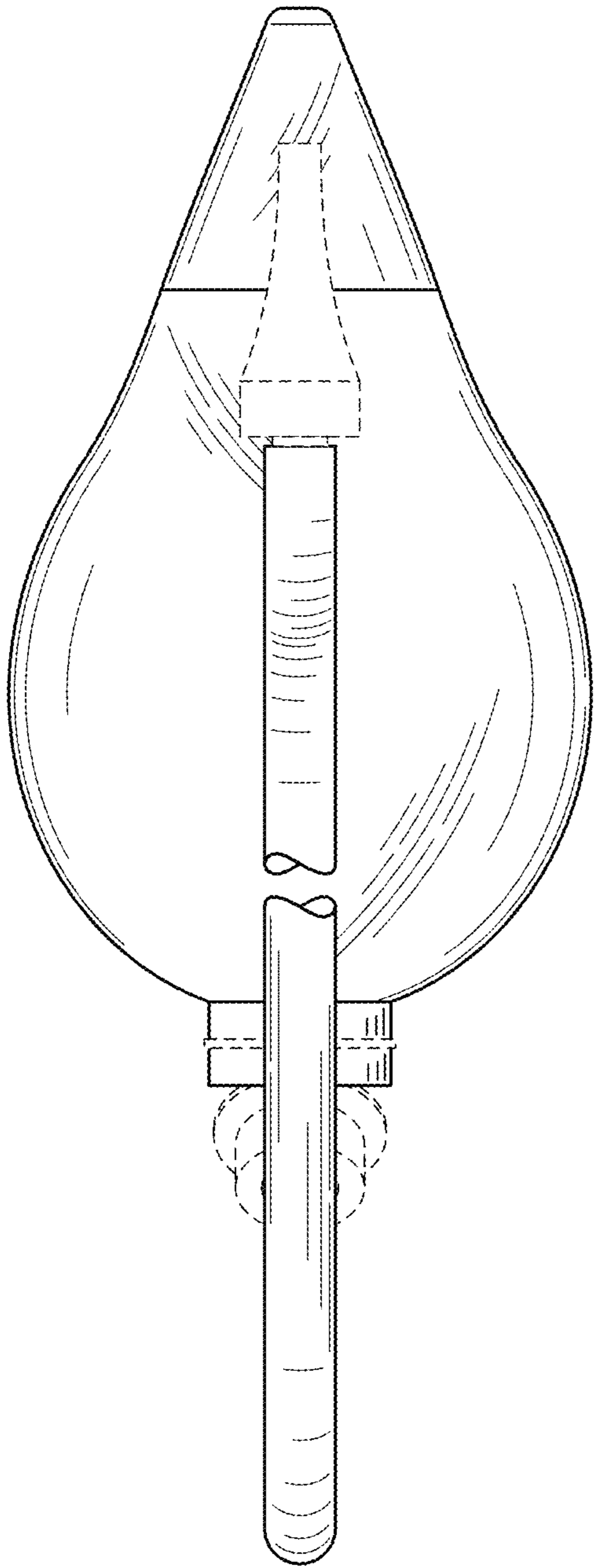


FIG. 4

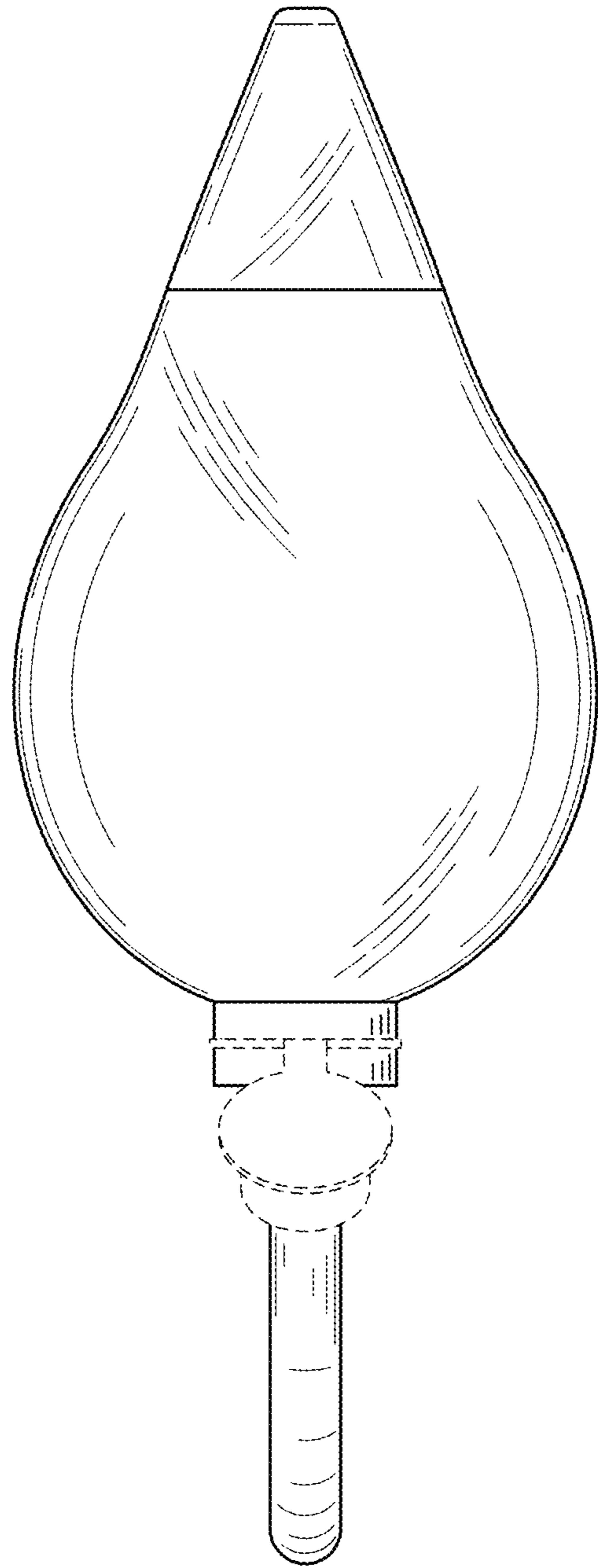


FIG. 5

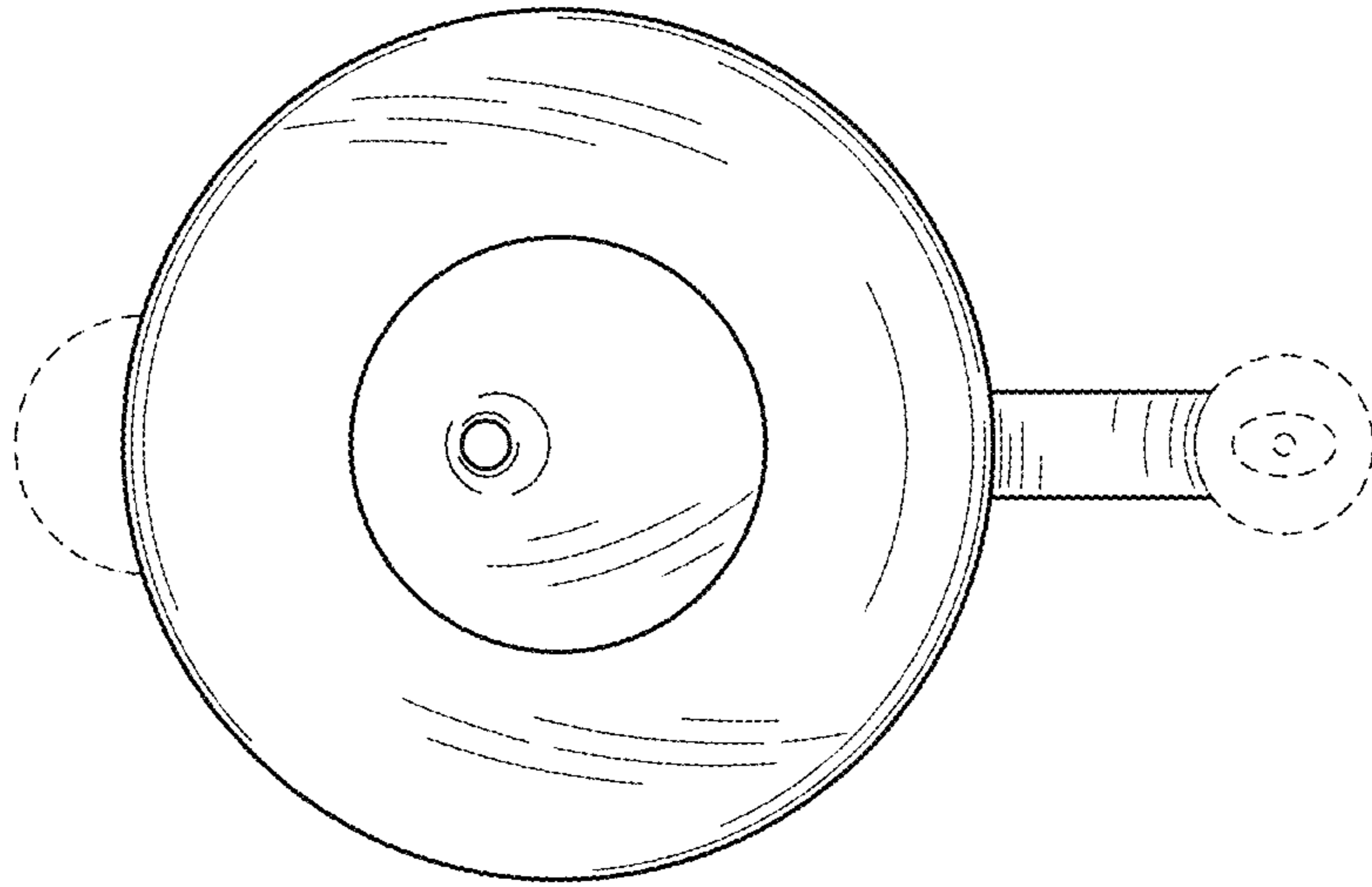


FIG. 6

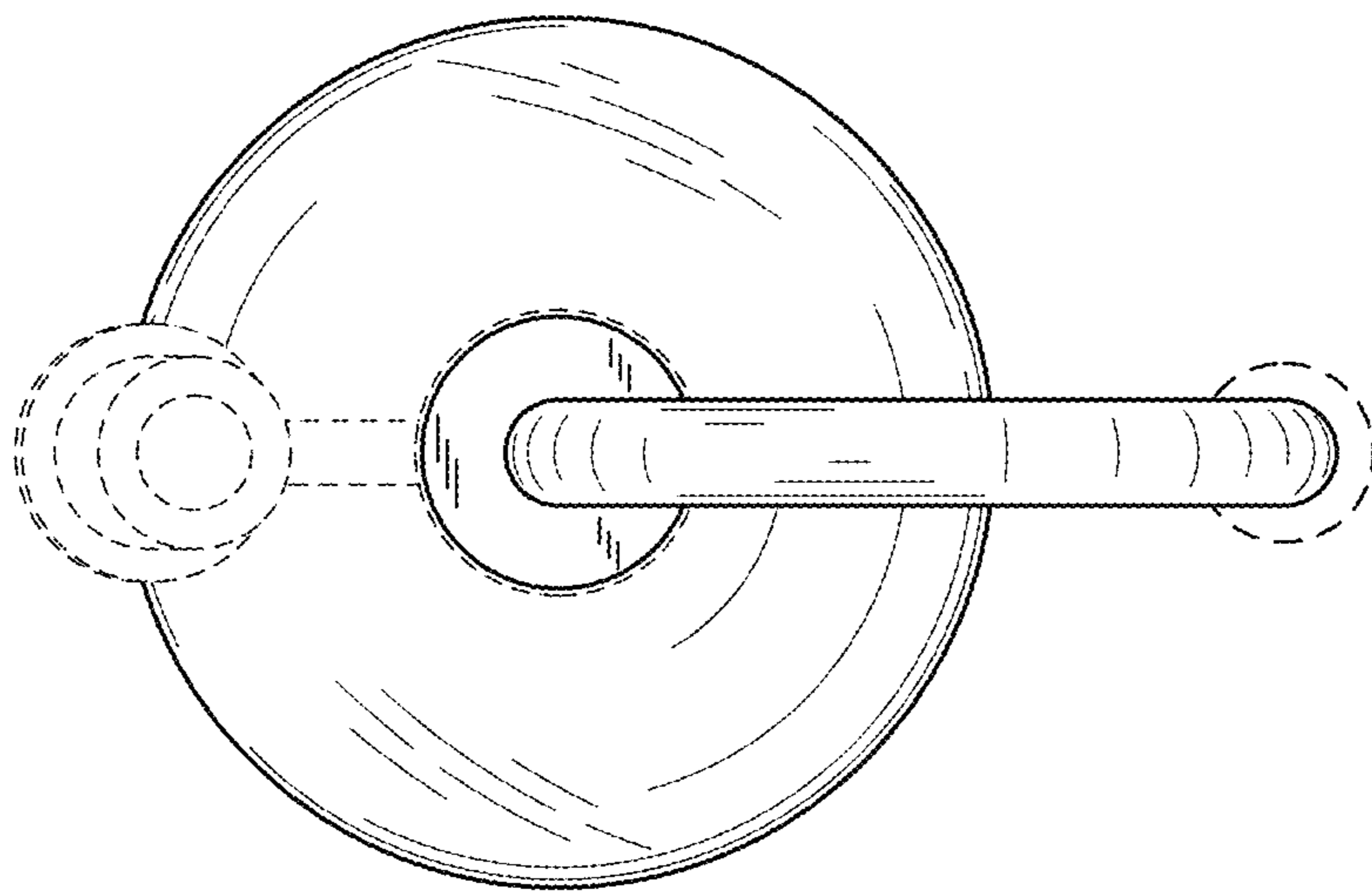


FIG. 7