



US00D779052S

(12) **United States Design Patent** (10) **Patent No.:** **US D779,052 S**
Gajewski (45) **Date of Patent:** **** Feb. 14, 2017**

- (54) **CEILING FAN HOUSING WITH LIGHT FIXTURE**
- (71) Applicant: **Minka Lighting, Inc.**, Corona, CA (US)
- (72) Inventor: **Mark Gajewski**, Avila Beach, CA (US)
- (73) Assignee: **Minka Lighting, Inc.**, Corona, CA (US)

- D160,391 S * 10/1950 Hutcheson D23/377
- D295,555 S * 5/1988 Greenberg D23/377
- D298,454 S 11/1988 Clyde-Mason
- D302,324 S * 7/1989 Moran D26/59
- D331,638 S * 12/1992 Vamberszky D26/118
- D345,790 S 4/1994 Caldwell
- D391,657 S * 3/1998 Compton D26/68
- D397,482 S * 8/1998 Binsukor D26/85
- 5,951,253 A 9/1999 Gajewski
- D421,113 S 2/2000 Zuege

- (**) Term: **15 Years**
- (21) Appl. No.: **29/552,863**
- (22) Filed: **Jan. 26, 2016**

Primary Examiner — Susan Bennett Hattan
Assistant Examiner — Marie Fast Horse
 (74) *Attorney, Agent, or Firm* — Baker & McKenzie LLP

Related U.S. Application Data

- (63) Continuation-in-part of application No. 29/511,472, filed on Dec. 10, 2014, now abandoned.
- (51) **LOC (10) Cl.** **23-04**
- (52) **U.S. Cl.**
USPC **D23/411**; D26/59
- (58) **Field of Classification Search**
USPC D23/377, 379, 385, 387, 411–414, 499;
416/1, 5, 170 R, 214 R, 184, 206, 207,
416/210 R, 220 R, 244 R, 248; 392/364;
D26/59, D26/51, 72, 73, 80–86, 88, 90
CPC F04D 25/088; F04D 29/005; F04D 29/601;
F04D 29/322; F04D 29/324; F04D 29/34;
F21V 33/0096
See application file for complete search history.

(57) **CLAIM**

The ornamental design for a ceiling fan housing with light fixture, as shown and described.

DESCRIPTION

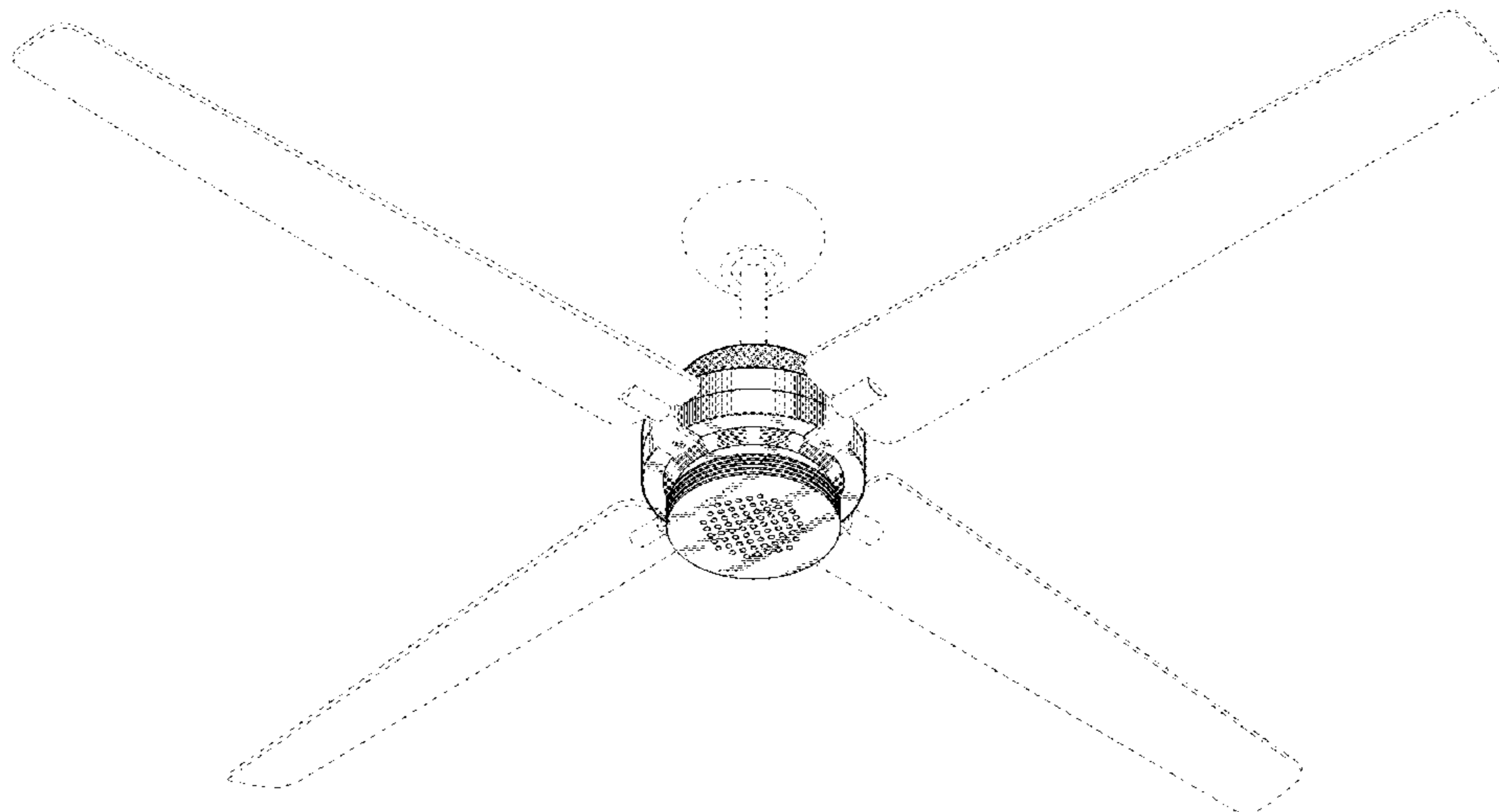
FIG. 1 is a perspective view of a ceiling fan housing with light fixture in accordance with my design;
 FIG. 2 is an enlarged perspective view of the ceiling fan housing with light fixture in accordance with my design;
 FIG. 3 is an enlarged top plan view of the ceiling fan housing with light fixture in accordance with my design, the opposite side being identical thereto;
 FIG. 4 is an enlarged bottom plan view of the ceiling fan housing with light fixture in accordance with my design;
 FIG. 5 is an enlarged front side view of the ceiling fan housing with light fixture in accordance with my design, the rear side being identical thereto; and,
 FIG. 6 is an enlarged left-side elevation view of the ceiling fan housing with light fixture in accordance with my design, the opposite side being identical thereto.
 The broken-line disclosure of elements is understood to represent portions of the article in which the design is embodied, but which form no part of the claimed design.

(56) **References Cited**

U.S. PATENT DOCUMENTS

- D90,062 S * 6/1933 Dasher D23/378
- D90,063 S 6/1933 Dasher
- D132,865 S * 6/1942 Drollinger D14/209
- D149,133 S * 3/1948 Kisling D23/377

1 Claim, 3 Drawing Sheets



(56)

References Cited

U.S. PATENT DOCUMENTS

6,158,964 A * 12/2000 Gajewski F21V 33/0096
248/343
6,171,060 B1 1/2001 Gajewski
D488,555 S * 4/2004 Huang D23/411
D497,447 S * 10/2004 Yoneda D26/24
D530,039 S * 10/2006 Blackman D26/85
D541,958 S * 5/2007 Holldorff D26/24
D583,923 S 12/2008 Bucher et al.
D594,997 S * 6/2009 Zhu D26/2
D596,733 S 7/2009 Kihara
D627,053 S * 11/2010 Pan D23/411
D628,688 S 12/2010 Pan
D652,133 S * 1/2012 Hiner D23/377
D676,543 S * 2/2013 Hiner D23/377
D676,952 S * 2/2013 Hiner D23/377
D698,914 S * 2/2014 Love D23/377
D700,984 S * 3/2014 Yang D26/59
D704,819 S * 5/2014 Wang D23/411
D707,336 S 6/2014 Pan
D728,775 S * 5/2015 Gajewski D23/411
D747,452 S 1/2016 Gajewski
D752,199 S * 3/2016 Berkman D23/370

* cited by examiner

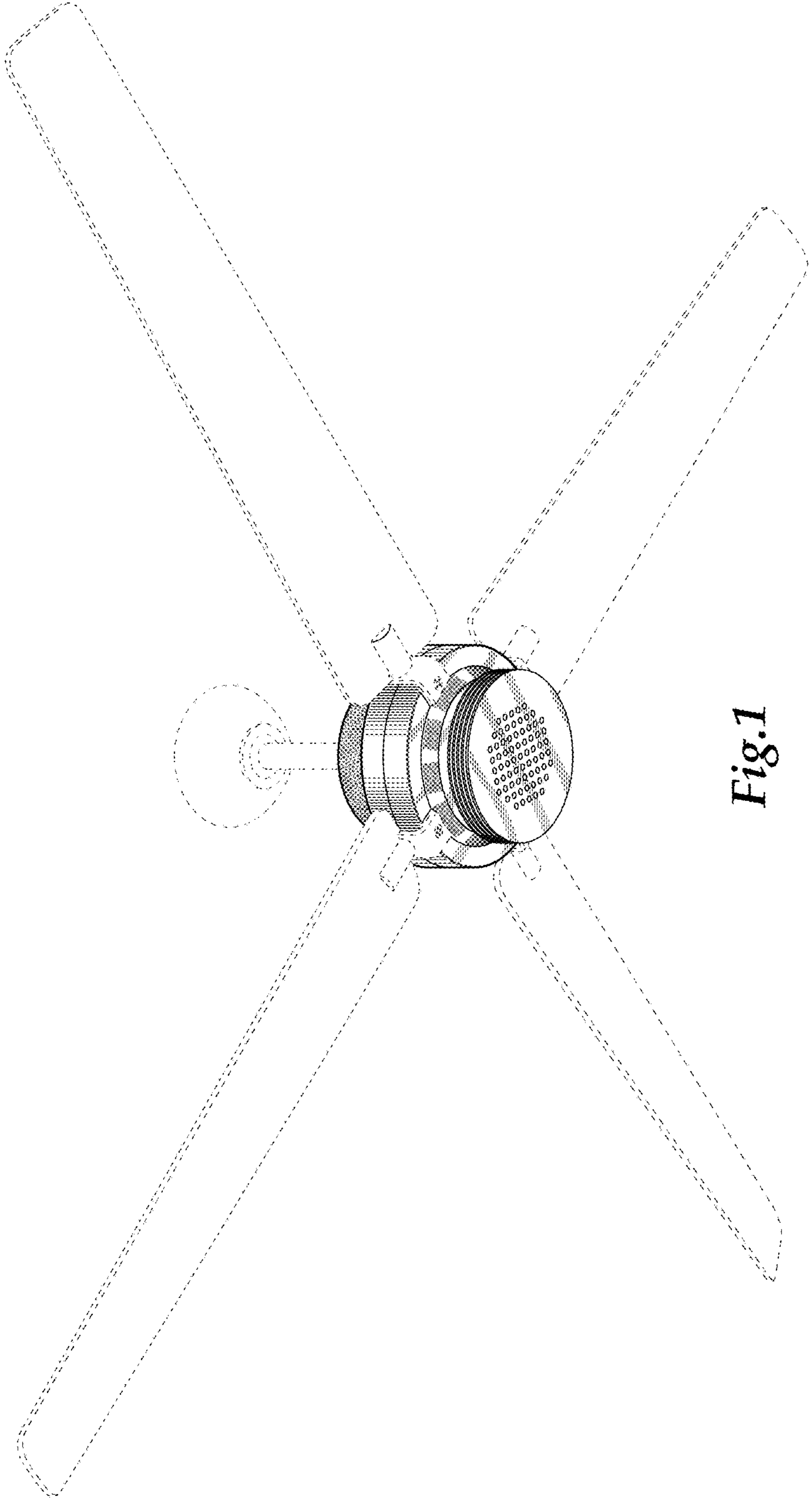


Fig. 1

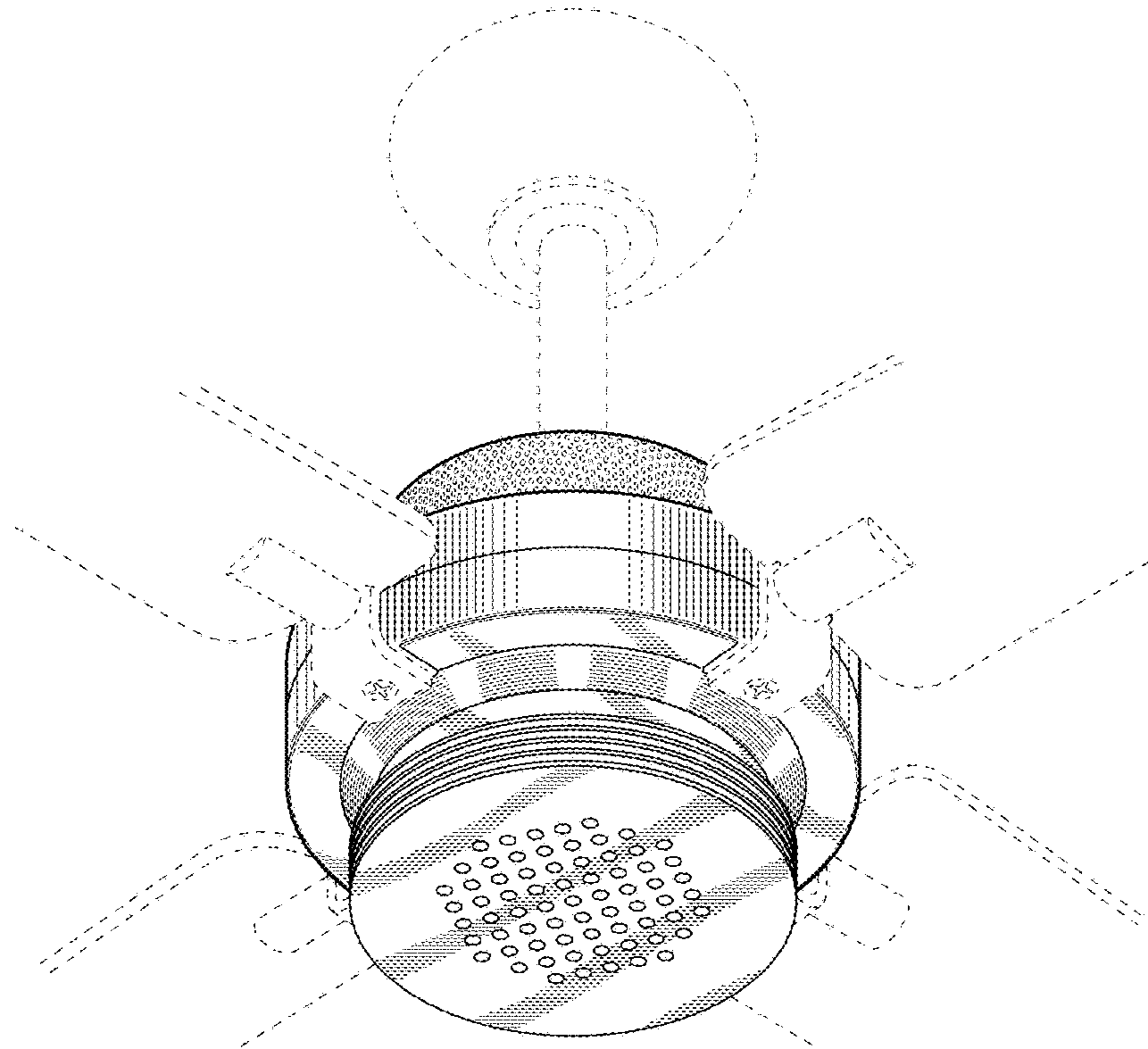


Fig.2

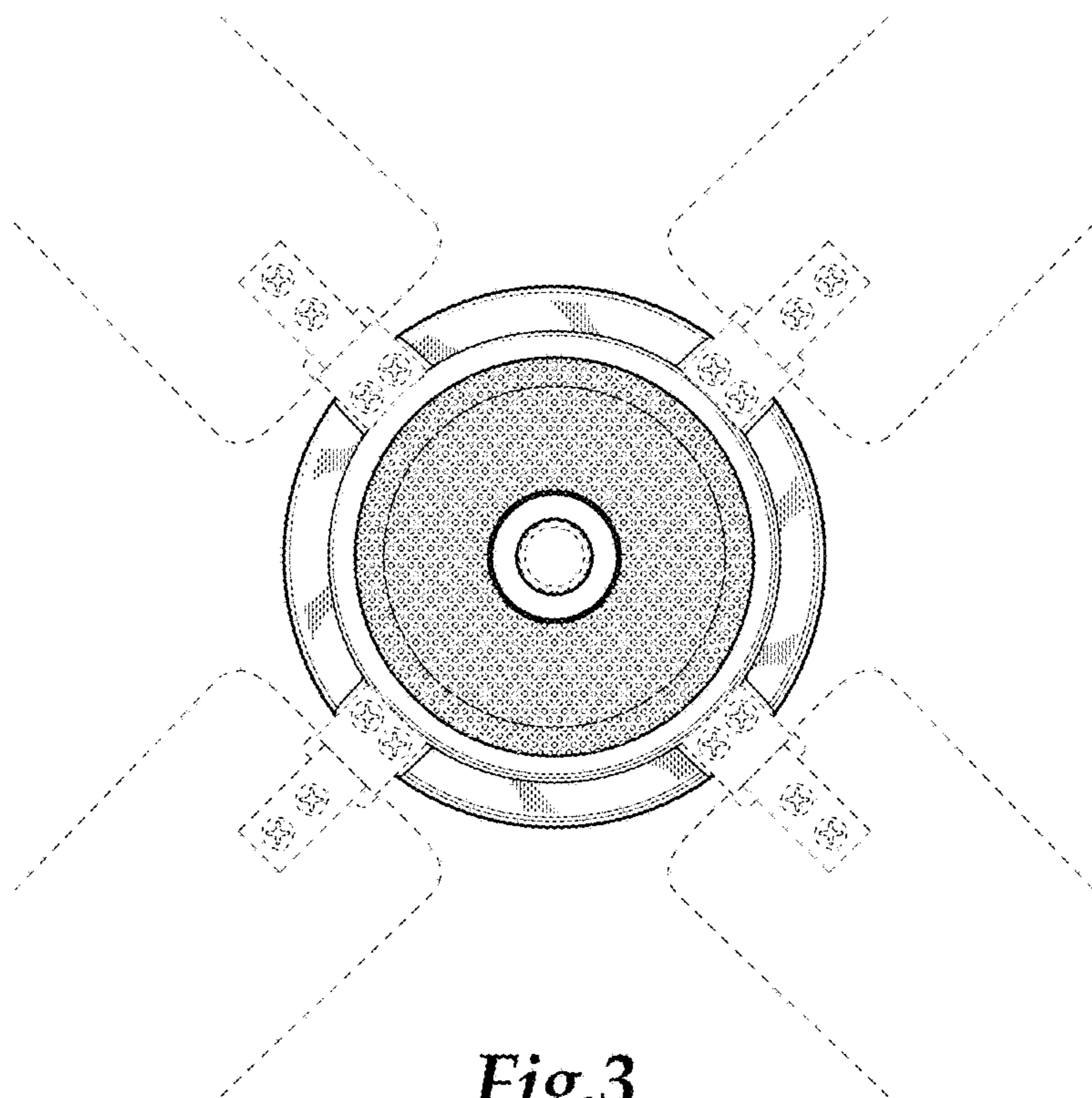


Fig.3

