



US00D779049S

(12) **United States Design Patent**  
**Wang**

(10) **Patent No.:** **US D779,049 S**

(45) **Date of Patent:** **\*\* Feb. 14, 2017**

(54) **CEILING FAN**

(71) Applicant: **YOUNGO LIMITED**, Hong Kong (CN)

(72) Inventor: **Cliff Wang**, Taichung (TW)

(73) Assignee: **YOUNGO LIMITED**, Hong Kong (CN)

(\*\*) Term: **15 Years**

(21) Appl. No.: **29/529,556**

(22) Filed: **Jun. 9, 2015**

(51) **LOC (10) Cl.** ..... **23-04**

(52) **U.S. Cl.**  
USPC ..... **D23/385; D23/370**

(58) **Field of Classification Search**  
USPC ... D14/356; D10/93, 104.1, 108, 114; D8/4, D8/25, 52; D17/20, 22, 23; D23/323, 328, D23/333, 335, 336, 337, 341, 352, 357, D23/370, 385, 386, 397, 399, 400, 406, D23/411, 413, 499; D11/143, 144; D13/182

CPC ..... H01R 13/5213; B60Q 1/04; B60Q 1/26; G10D 3/006; G10D 13/023; G10D 13/027; B25B 15/001; G10H 3/143; G10H 3/181; G10G 5/005; A42B 1/04; B64C 11/04; B64C 11/16; B64C 11/18; B64C 11/20; B64C 2001/009; F03D 3/062; F03D 11/04; F04D 19/002; F04D 25/068; F04D 25/088; F24F 1/0018; B64D 13/02; E04C 2/427; E06B 3/5892; B24B 37/04

See application file for complete search history.

(56) **References Cited**

**U.S. PATENT DOCUMENTS**

D105,260 S \* 7/1937 Brannan ..... D23/413  
3,303,995 A \* 2/1967 Boeckel ..... F04D 19/002  
415/79  
D269,990 S \* 8/1983 Hall ..... D22/120  
D304,230 S \* 10/1989 Wang ..... D23/386

D314,619 S \* 2/1991 Beavers ..... D23/383  
D336,333 S \* 6/1993 Cook ..... D23/378  
D349,862 S \* 8/1994 Hausler ..... D10/96  
5,503,524 A \* 4/1996 Yu ..... F04D 25/088  
310/89  
5,707,205 A \* 1/1998 Otsuka ..... F04D 29/547  
361/695  
5,921,753 A \* 7/1999 Ames ..... F04D 19/002  
416/169 R

(Continued)

**OTHER PUBLICATIONS**

Savoy House Model SV-14-325-FD-SN, image post date Nov. 22, 2014, site visited May 1, 2016, (online), <<http://www.hansenwholesale.com/ceilingfans/savoyhouse/model.asp?ProdNo=SV-14-325-FD-SN>>.\*

(Continued)

*Primary Examiner* — Kevin Rudzinski  
*Assistant Examiner* — Sean D Lough  
(74) *Attorney, Agent, or Firm* — Pai Patent & Trademark Law Firm; Chao-Chang David Pai

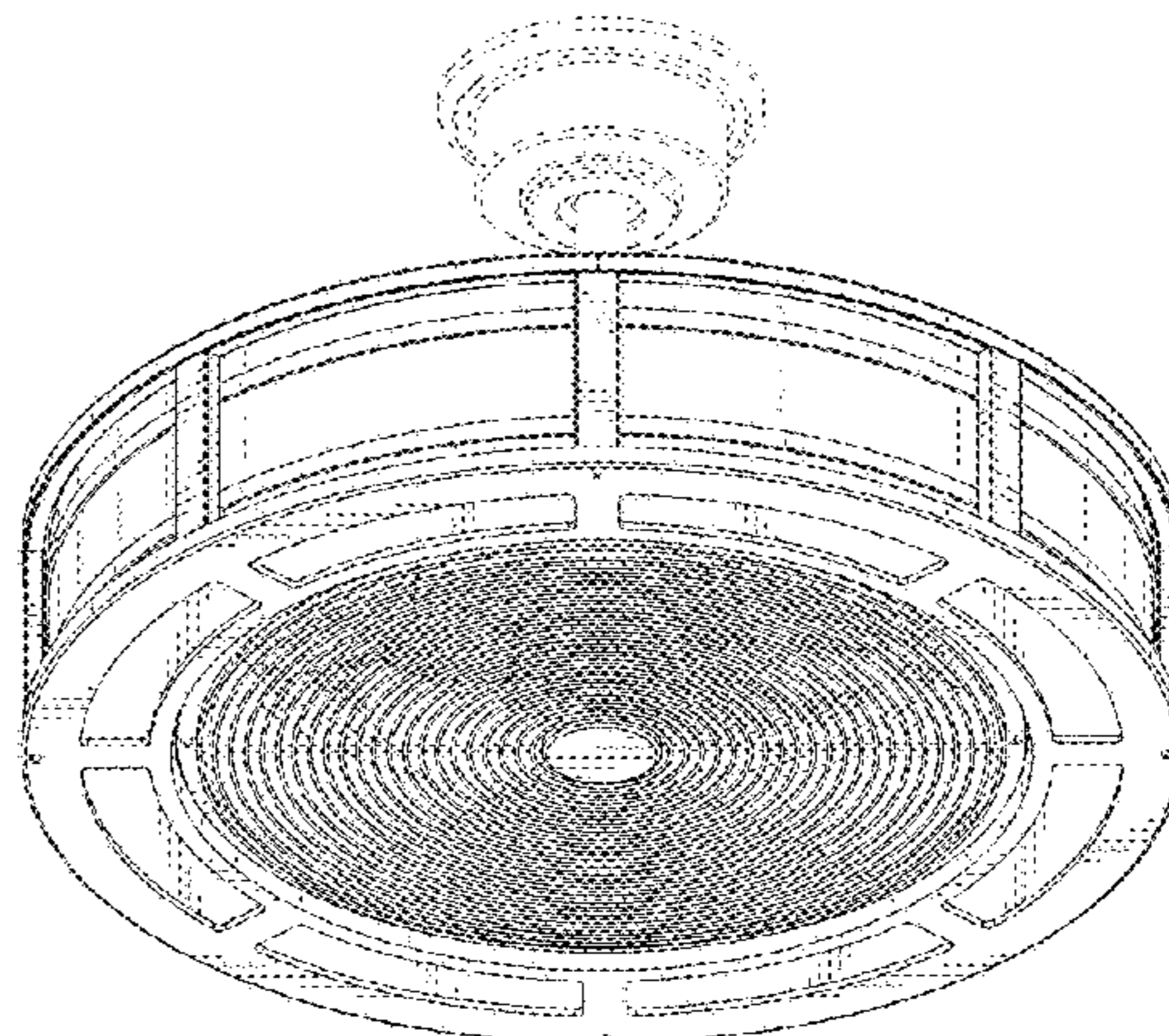
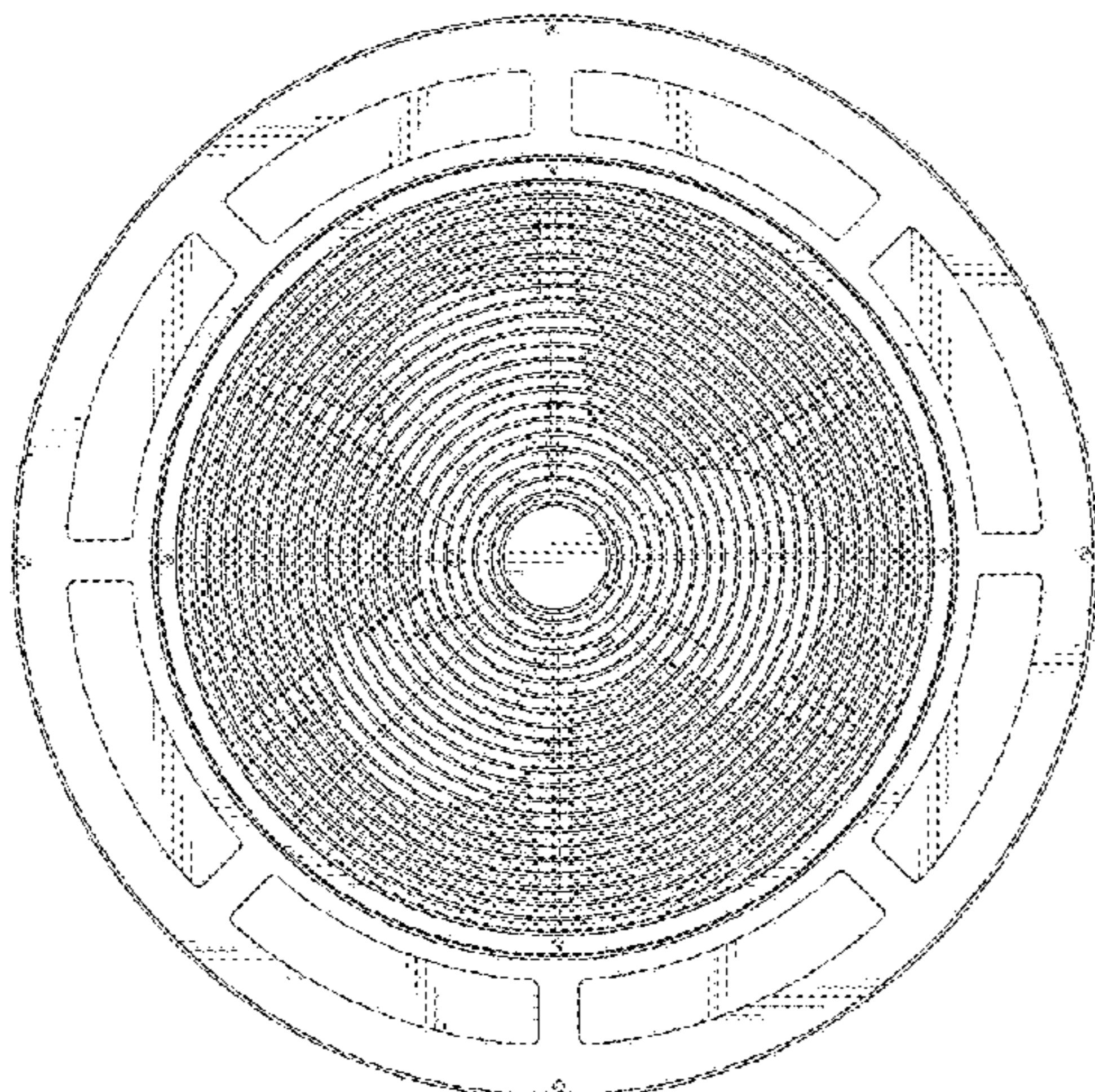
(57) **CLAIM**

The ornamental design for a ceiling fan, as shown and described.

**DESCRIPTION**

FIG. 1 is a front perspective view of a ceiling fan showing my new design;  
FIG. 2 is a front elevational view thereof;  
FIG. 3 is a rear elevational view thereof;  
FIG. 4 is a left side elevational view thereof;  
FIG. 5 is a right side elevational view thereof;  
FIG. 6 is a top plan view thereof;  
FIG. 7 is a bottom plan view thereof; and,  
FIG. 8 is another front perspective view thereof.  
The broken lines are for the purpose of illustrating environmental structure and interior elements and form no part of the claimed design.

**1 Claim, 8 Drawing Sheets**



(56)

References Cited

U.S. PATENT DOCUMENTS

5,947,685 A \* 9/1999 Yu ..... F04D 25/088  
310/89  
D438,947 S \* 3/2001 Wang ..... D23/378  
6,372,005 B1 \* 4/2002 Fiacco ..... B01D 45/14  
55/400  
D480,466 S \* 10/2003 Bucher ..... D23/382  
D485,348 S \* 1/2004 Stauffer ..... D23/411  
D490,510 S \* 5/2004 Cohen ..... D23/379  
6,945,751 B1 \* 9/2005 Wobben ..... F03D 1/0633  
416/61  
D513,318 S \* 12/2005 Jones ..... D23/382  
7,007,403 B1 \* 3/2006 Studebaker ..... E04B 1/7092  
34/90  
D534,267 S \* 12/2006 Andersen ..... D23/370  
D538,920 S \* 3/2007 Russak ..... D23/382  
D557,398 S \* 12/2007 Moore ..... D23/382  
D571,447 S \* 6/2008 Russak ..... D23/382  
7,397,144 B1 \* 7/2008 Brostmeyer ..... F03B 13/20  
290/42  
D589,604 S \* 3/2009 Hsu ..... D23/382  
D594,965 S \* 6/2009 Bucher ..... D23/411  
D596,737 S \* 7/2009 Pan ..... D23/411  
D599,471 S \* 9/2009 Borovicka ..... D23/412  
D625,403 S \* 10/2010 Liu ..... D23/377  
D629,097 S \* 12/2010 Aoyama ..... D23/412  
D634,000 S \* 3/2011 Nishikura ..... D23/382  
D638,924 S \* 5/2011 Perez ..... D23/382  
D645,554 S \* 9/2011 Peterson ..... D23/411  
D650,893 S \* 12/2011 Fizer ..... D23/378  
8,210,824 B1 \* 7/2012 Bucher ..... F04B 33/00  
416/210 R  
D674,888 S \* 1/2013 Kawase ..... D23/370  
D675,312 S \* 1/2013 Zhu ..... D23/370  
D676,543 S \* 2/2013 Hiner ..... D23/377  
D676,953 S \* 2/2013 Hollan ..... D23/378  
D678,494 S \* 3/2013 Wolfe ..... D23/359  
D679,372 S \* 4/2013 Crider ..... D23/382  
D680,209 S \* 4/2013 Yen ..... D23/328  
D683,010 S \* 5/2013 Chen ..... D23/370  
D683,841 S \* 6/2013 McNicholas ..... D23/328  
D684,249 S \* 6/2013 Herbst ..... D23/370  
D684,250 S \* 6/2013 Hubert ..... D23/356  
D686,309 S \* 7/2013 Kokawa ..... D23/382  
8,487,470 B2 \* 7/2013 Grassman ..... F03D 3/005  
290/55  
D687,937 S \* 8/2013 Nemes ..... D23/332  
D688,368 S \* 8/2013 Ediger ..... D23/382  
D688,781 S \* 8/2013 Vallinan ..... D23/355  
D689,600 S \* 9/2013 Herbst ..... D23/382  
D692,996 S \* 11/2013 Alexander ..... D23/370

D695,385 S \* 12/2013 McNicholas ..... D23/354  
D696,764 S \* 12/2013 Sato ..... D13/179  
D698,914 S \* 2/2014 Love ..... D23/377  
D698,915 S \* 2/2014 Christopher ..... D23/377  
D698,916 S \* 2/2014 Avedon ..... D23/379  
D700,311 S \* 2/2014 Wang ..... D23/385  
D701,597 S \* 3/2014 DeFilippis ..... D23/370  
D701,598 S \* 3/2014 Adkins ..... D23/415  
8,665,595 B2 \* 3/2014 Wyatt ..... G06F 1/203  
361/690  
D701,954 S \* 4/2014 Kienzler ..... D23/414  
D703,309 S \* 4/2014 Masciarella ..... D23/414  
D703,310 S \* 4/2014 Masciarella ..... D23/414  
D703,805 S \* 4/2014 Masciarella ..... D23/414  
D710,490 S \* 8/2014 Shurtleff ..... D23/411  
D711,939 S \* 8/2014 Bakker, Jr. .... D15/89  
D721,431 S \* 1/2015 Herbst ..... D23/382  
D728,090 S \* 4/2015 Haaf ..... D23/370  
D732,655 S \* 6/2015 Ueno ..... D13/179  
D733,283 S \* 6/2015 Larouche ..... D23/379  
D733,860 S \* 7/2015 Konno ..... D23/366  
D733,861 S \* 7/2015 Haaf ..... D23/370  
D733,981 S \* 7/2015 Sechere ..... D32/8  
9,091,452 B2 \* 7/2015 Yen ..... F24F 6/12  
D737,420 S \* 8/2015 Yeung ..... D23/382  
D737,949 S \* 9/2015 He ..... D23/382  
D737,950 S \* 9/2015 He ..... D23/382  
D740,403 S \* 10/2015 Kassel ..... D23/316  
9,157,442 B2 \* 10/2015 Liu ..... F04D 19/002  
D742,495 S \* 11/2015 Mathews ..... D23/364  
D743,522 S \* 11/2015 Pan ..... D23/411  
D748,239 S \* 1/2016 Daniels ..... D23/373  
9,228,591 B2 \* 1/2016 Choi ..... F04D 29/164  
D748,480 S \* 2/2016 Cobb ..... D9/516  
D750,212 S \* 2/2016 Herbst ..... D23/382  
D751,686 S \* 3/2016 Harris ..... D23/386  
D752,199 S \* 3/2016 Berkman ..... D23/370  
D752,201 S \* 3/2016 Herbst ..... D23/370  
2014/0056739 A1 \* 2/2014 Wang ..... F04D 25/0606  
417/423.7

OTHER PUBLICATIONS

Fanimation Of110ob, image post date Apr. 1, 2016, site visited May 1, 2016, (online), <<http://web.archive.org/web/20150401082442/http://ceilingfan.faircentermall.com/product/1/1043/Fanimation-Of110ob-The-Extraordinaire-18-Inch-Ceiling-Fan-Oilrubbed-Bronze.html>>.\*

Fanimation Beckwith Ceiling Fan, image post date May 5, 2014, site visited May 1, 2016, (online), <<http://www.jeffsreviews.com/fanimation-beckwith-ceiling-fan-review/>>.\*

\* cited by examiner

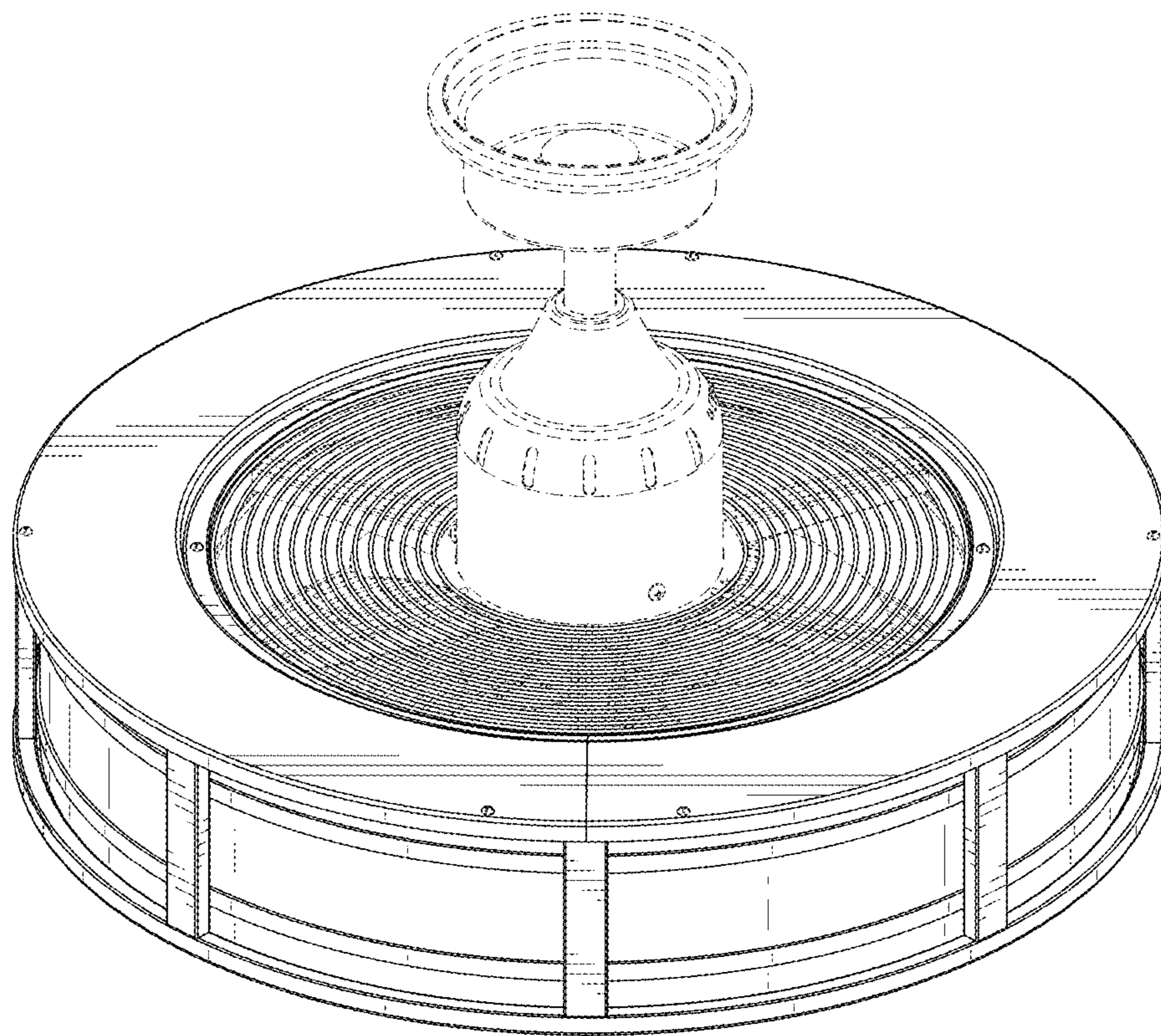


FIG. 1

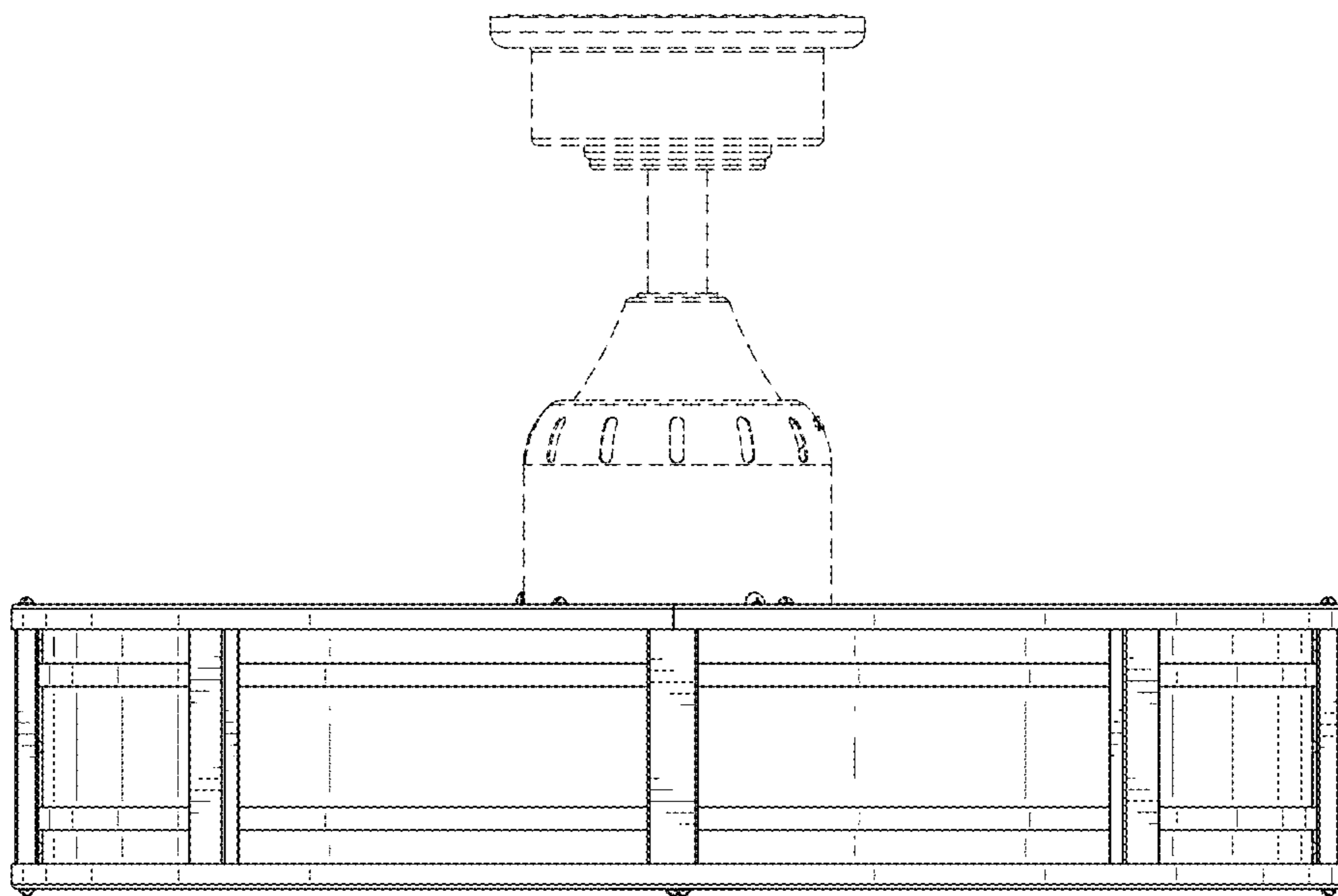


FIG. 2

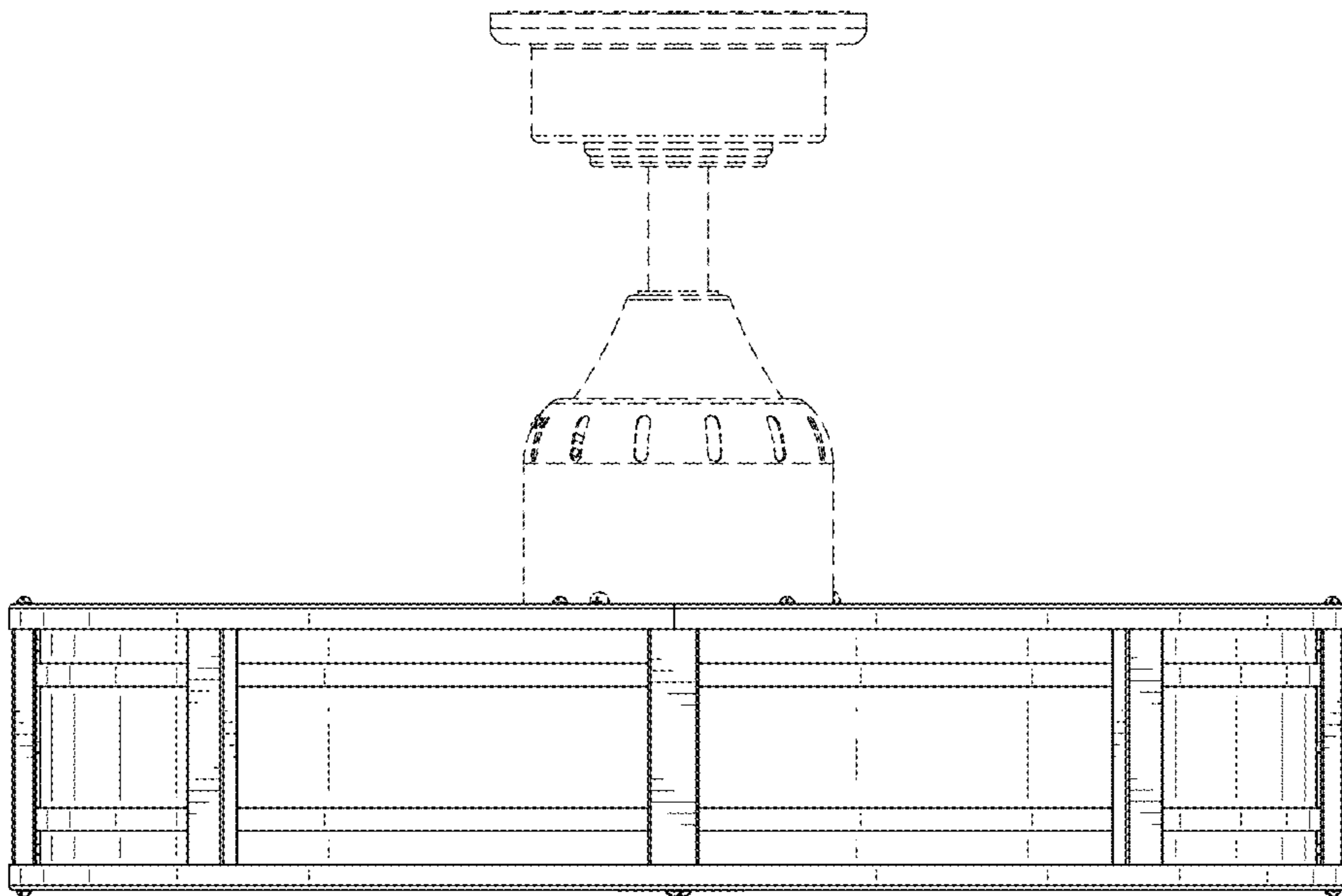


FIG. 3

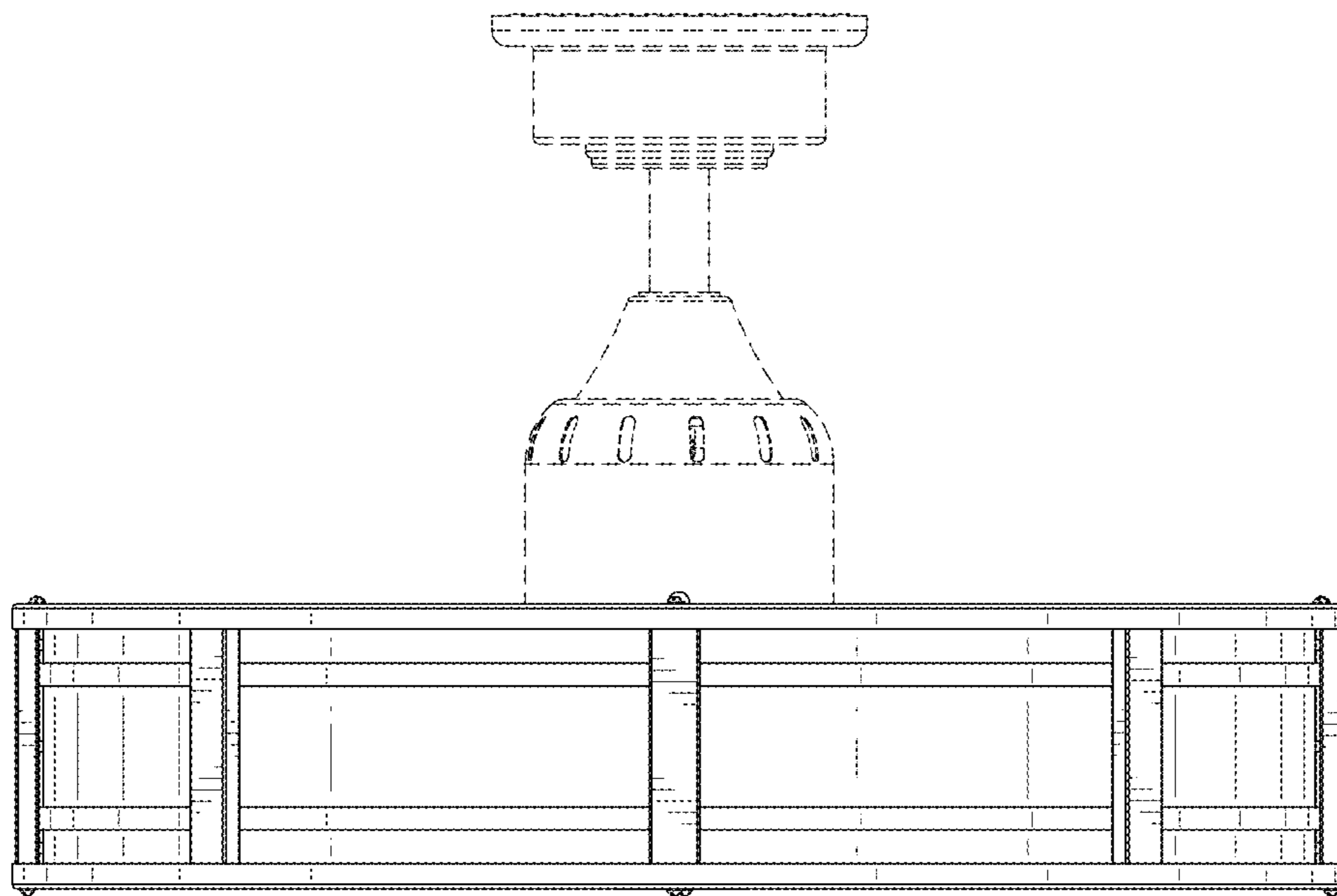


FIG. 4

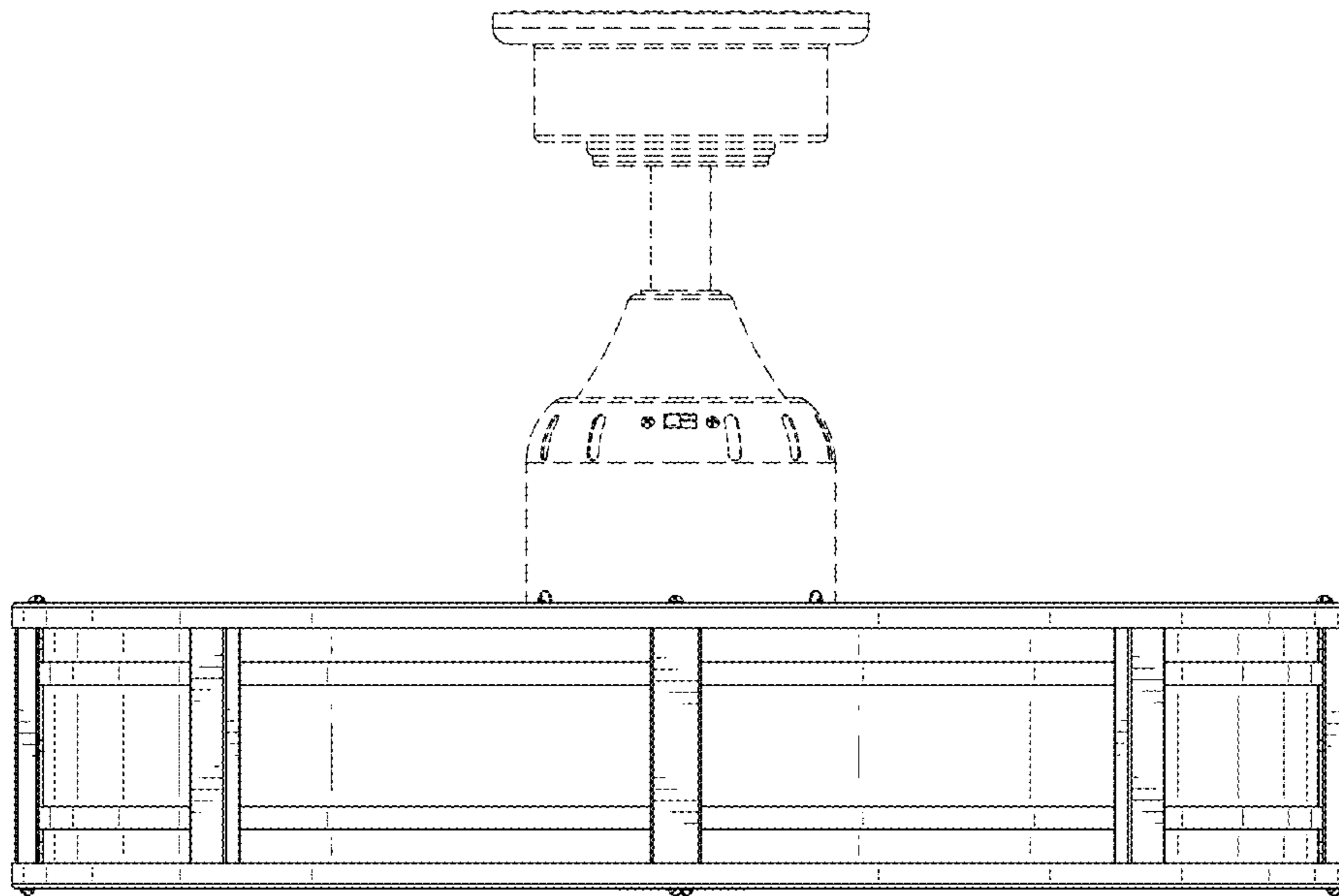


FIG. 5

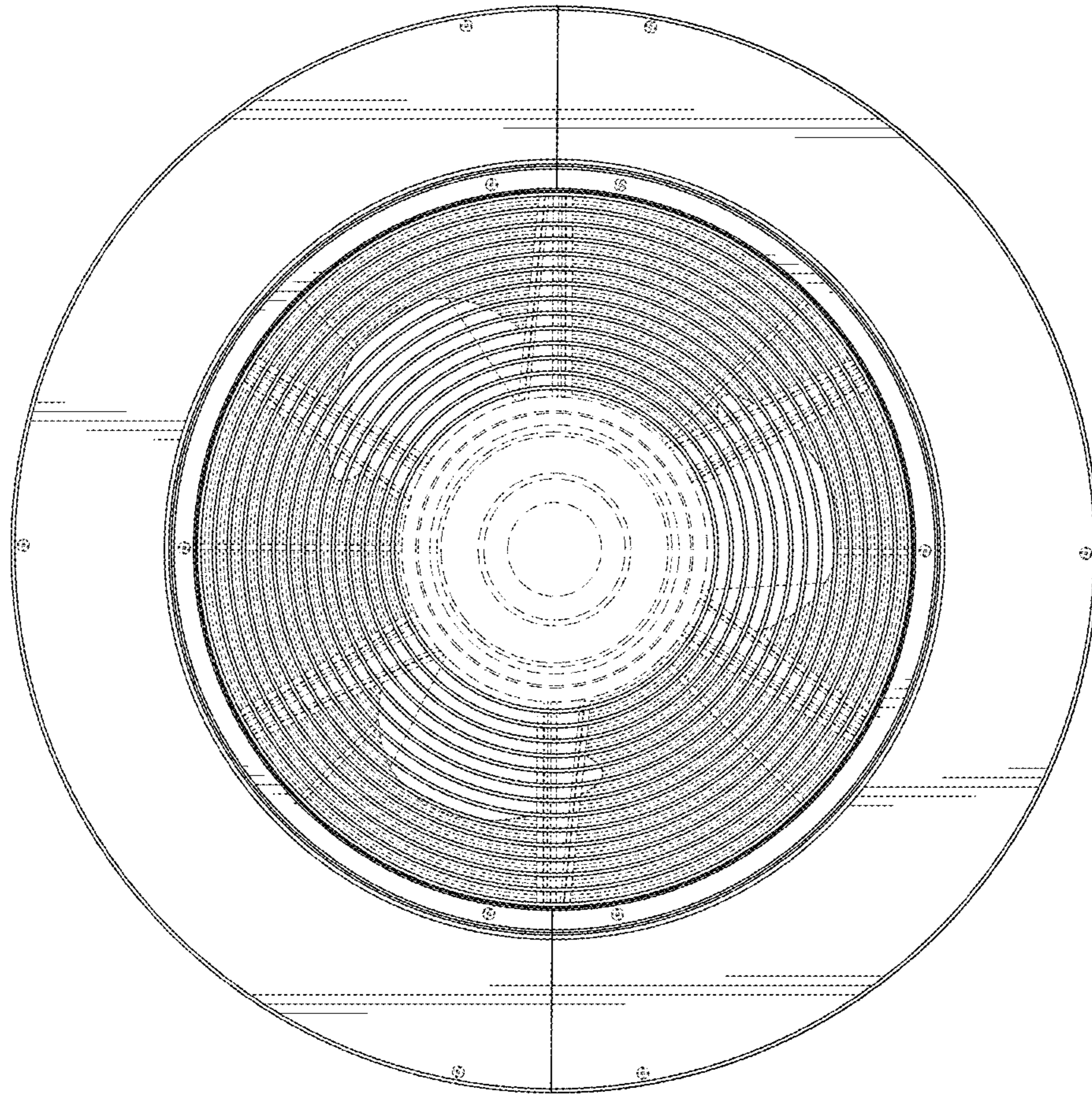


FIG. 6



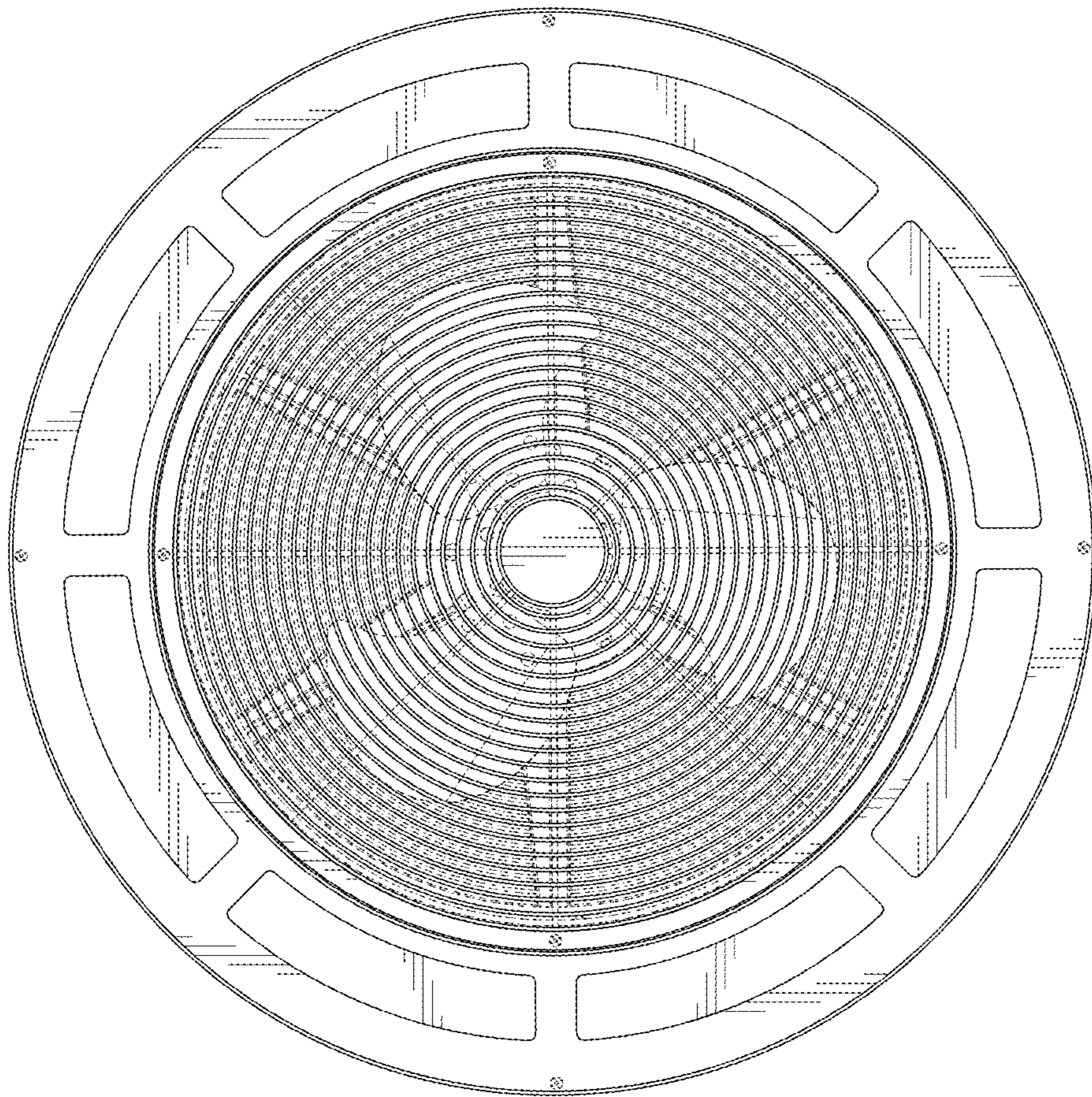


FIG. 7

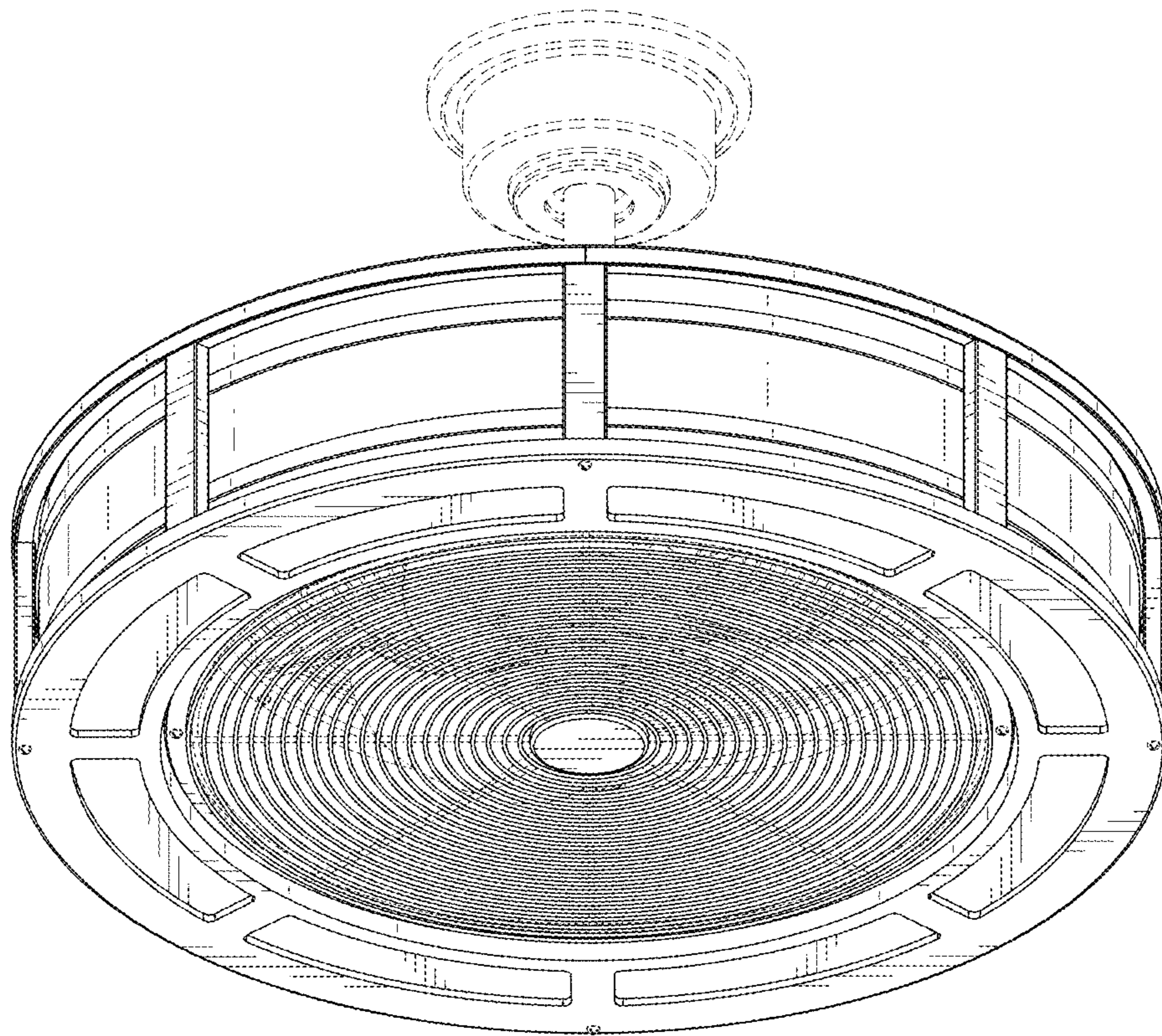


FIG. 8