



US00D779048S

(12) **United States Design Patent**  
**Hoss et al.**

(10) **Patent No.:** **US D779,048 S**

(45) **Date of Patent:** **\*\* Feb. 14, 2017**

(54) **MULTI-PIECE HOUSING FAN**

(71) Applicant: **ebm-papst Mulfingen GmbH & Co. KG**, Mulfingen (DE)

(72) Inventors: **Sebastian Hoss**, Bad Mergentheim (DE); **Thomas Sauer**, Bad Mergentheim (DE); **Hartmut Messerschmidt**, Ingelfingen (DE); **Matthias Maschke**, Kupferzell (DE); **Alexander Lust**, Obersulm-Affaltrach (DE)

(73) Assignee: **ebm-papst Mulfingen GmbH & Co. KG**, Mulfingen (DE)

(\*\*) Term: **14 Years**

(21) Appl. No.: **29/520,221**

(22) Filed: **Mar. 12, 2015**

(51) **LOC (10) Cl.** ..... **23-04**

(52) **U.S. Cl.**  
USPC ..... **D23/370**

(58) **Field of Classification Search**  
USPC ..... D23/370, 355, 314; 415/121.1  
CPC .... F04D 29/329; F04D 29/526; F04D 25/082;  
F04D 29/325; F04D 29/703; F04D 29/547  
See application file for complete search history.

(56) **References Cited**

**U.S. PATENT DOCUMENTS**

D542,909 S \* 5/2007 Russak ..... D23/411  
D571,448 S \* 6/2008 Bucher ..... D23/382

D594,108 S \* 6/2009 Sturm ..... D23/377  
D594,109 S \* 6/2009 Sturm ..... D23/377  
D594,545 S \* 6/2009 Blateri ..... D23/382  
D595,401 S \* 6/2009 Sturm ..... D23/377  
D606,647 S \* 12/2009 Sturm ..... D23/377  
D629,097 S \* 12/2010 Aoyama ..... D23/412  
D639,924 S \* 6/2011 Winkler ..... D23/370  
D728,090 S \* 4/2015 Haaf ..... D23/370  
D733,861 S \* 7/2015 Haaf ..... D23/370  
2004/0191057 A1 \* 9/2004 Lee ..... F04D 29/703  
415/121.1

\* cited by examiner

*Primary Examiner* — Cynthia Underwood

(74) *Attorney, Agent, or Firm* — Harness, Dickey & Pierce, P.L.C.

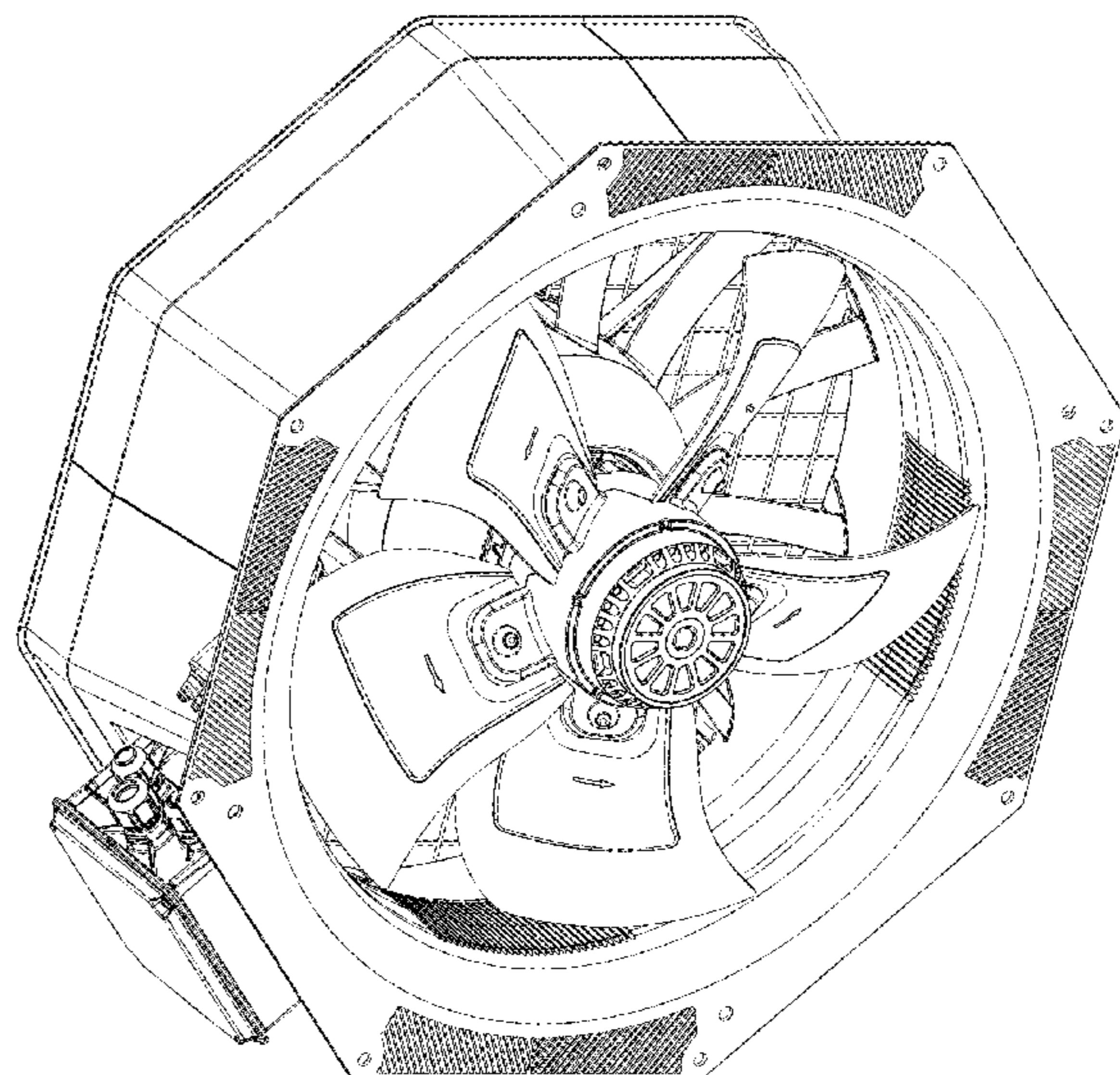
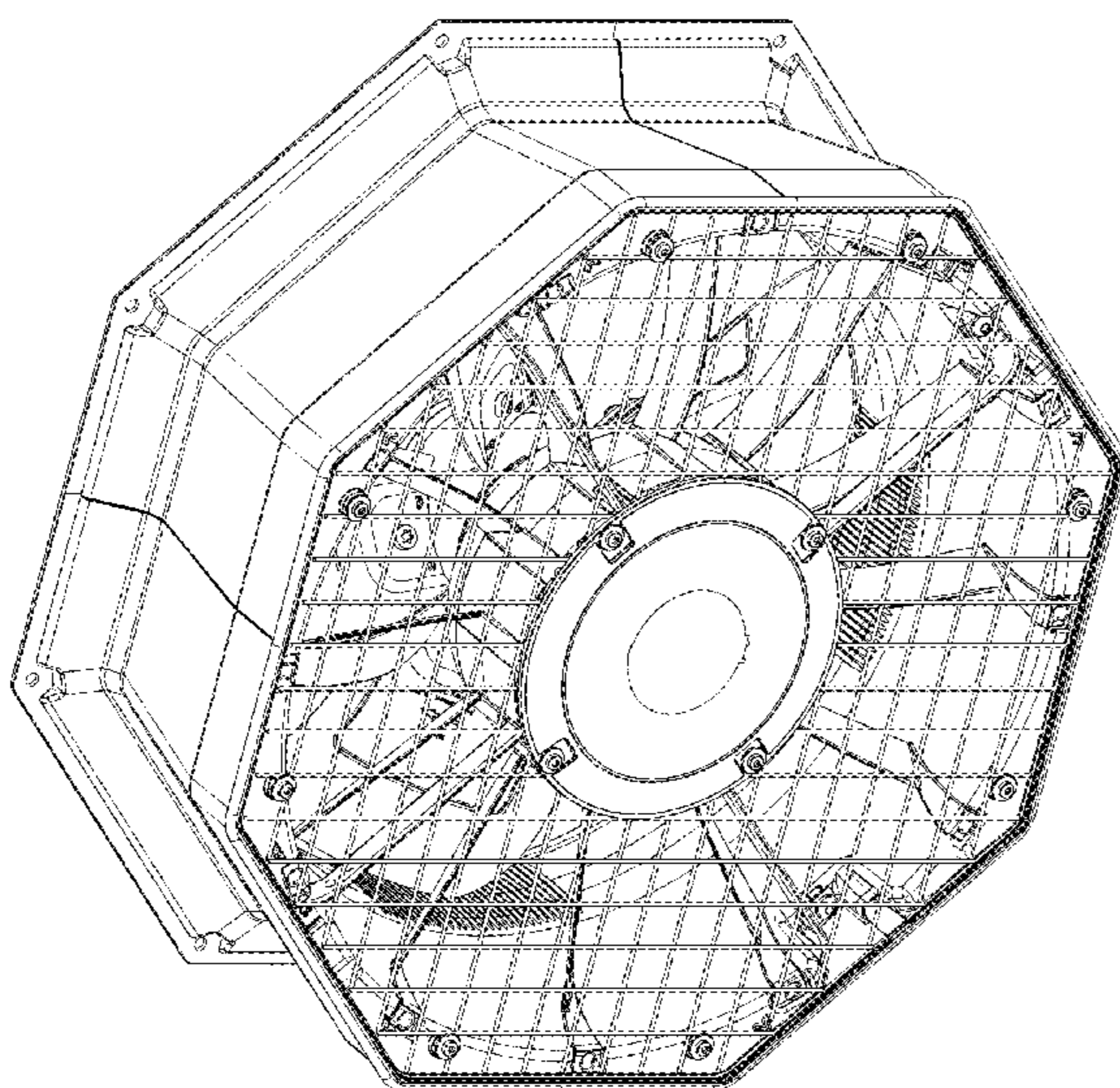
(57) **CLAIM**

The ornamental design for a multi-piece housing fan, as shown and described.

**DESCRIPTION**

FIG. 1 is a bottom perspective view of the multi-piece housing fan;  
FIG. 2 is a top perspective view of the multi-piece housing fan;  
FIG. 3 is a top view of the multi-piece housing fan;  
FIG. 4 is another side view of the multi-piece housing fan;  
FIG. 5 is a top view of the multi-piece housing fan; and,  
FIG. 6 is a bottom perspective view of the multi-piece housing fan.

**1 Claim, 6 Drawing Sheets**



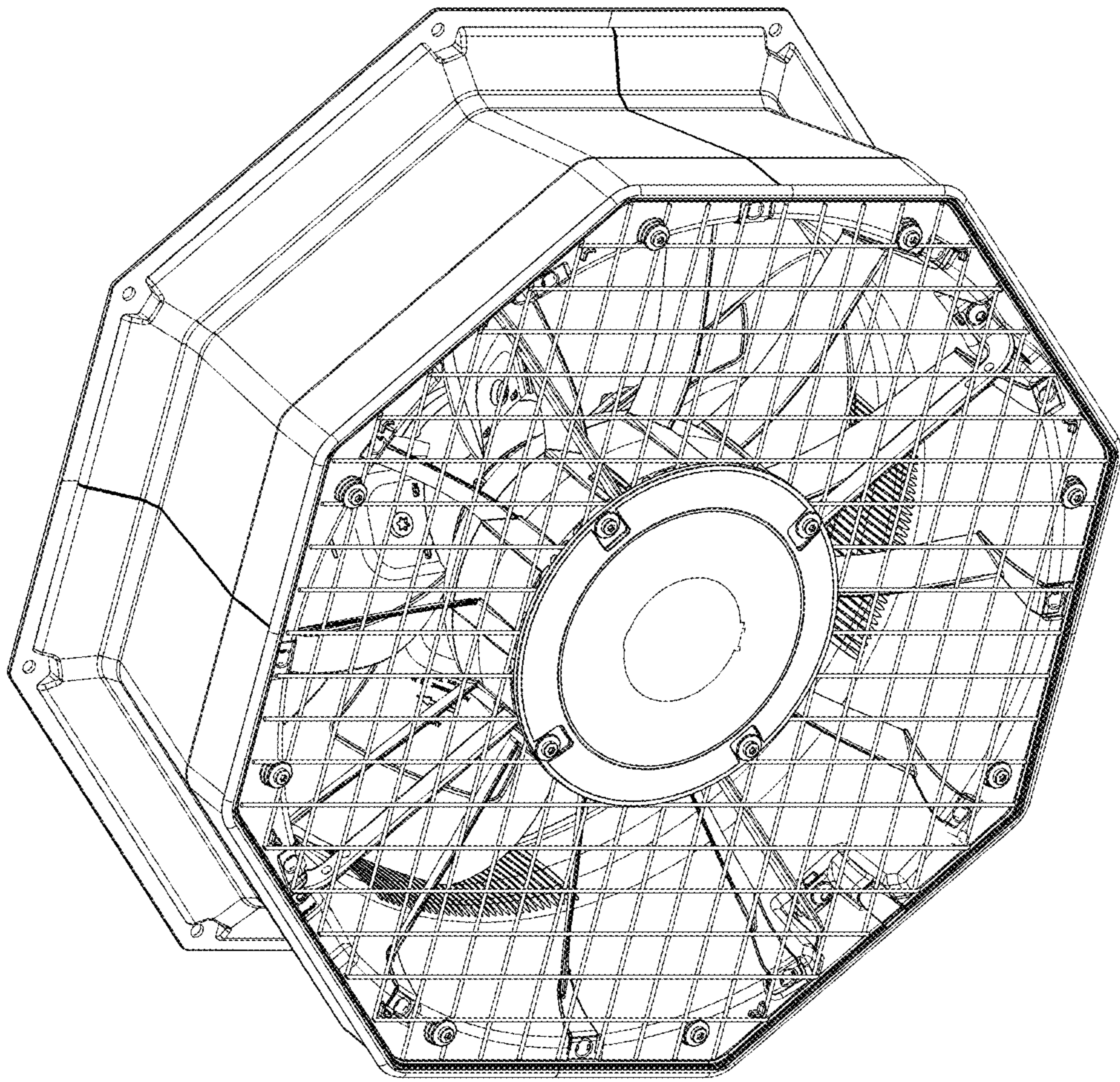


FIG - 1

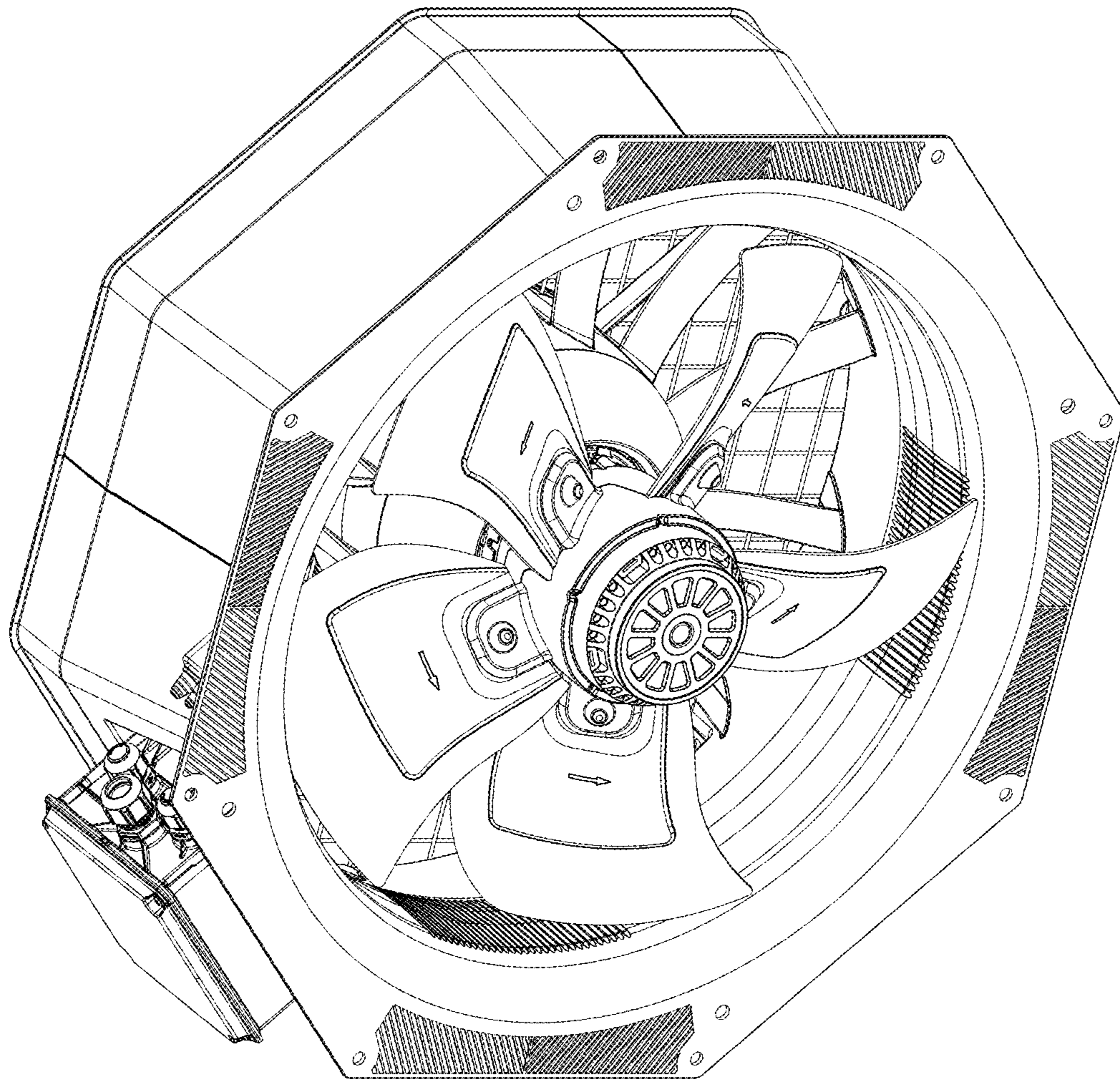


FIG - 2

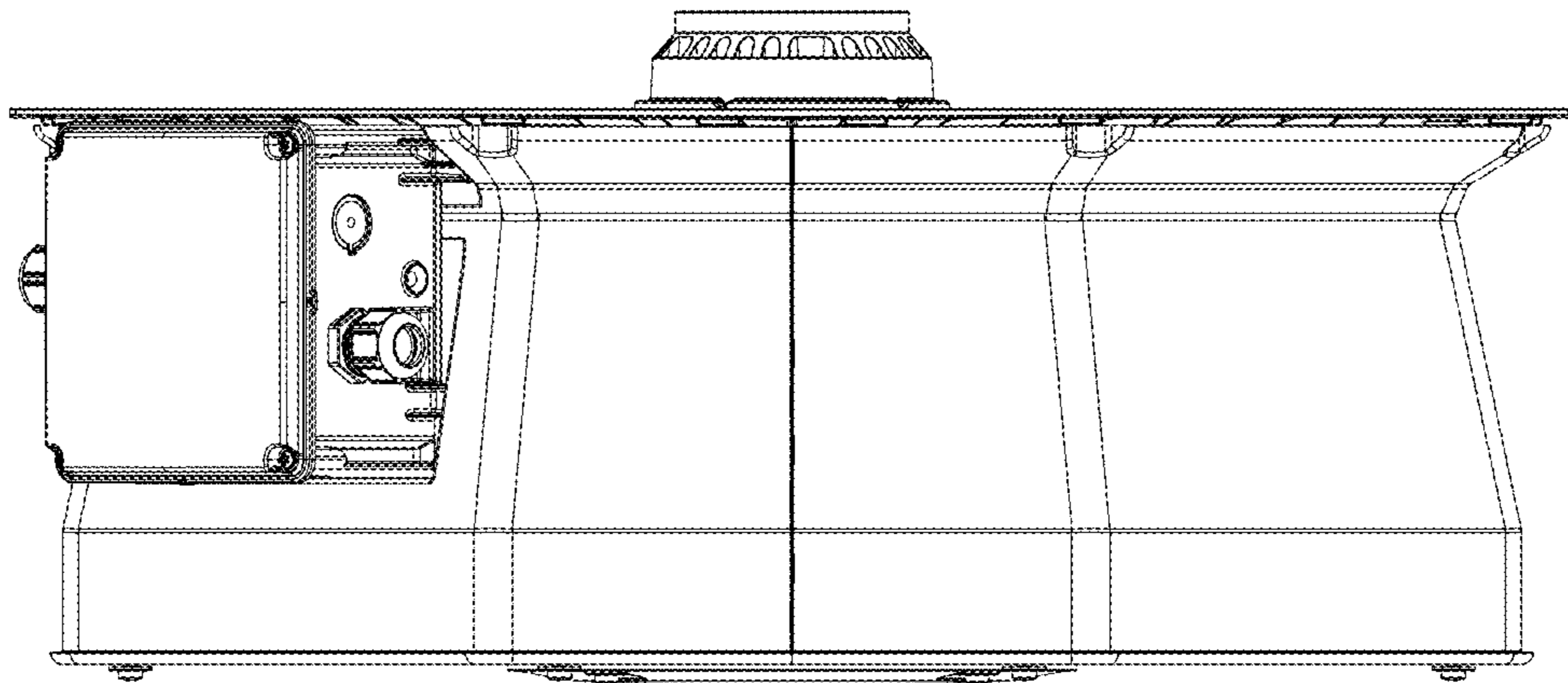


FIG - 3

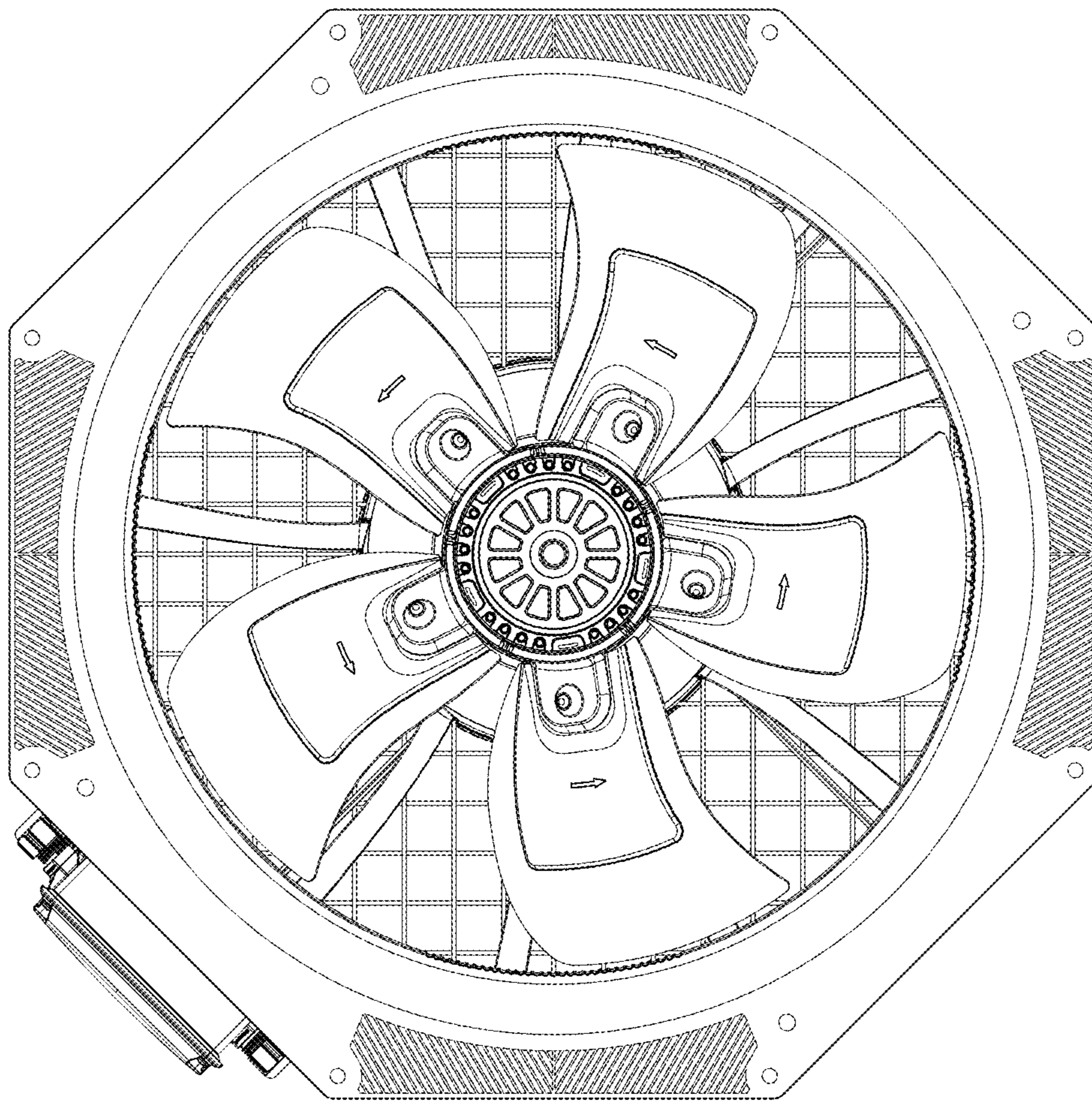


FIG - 4

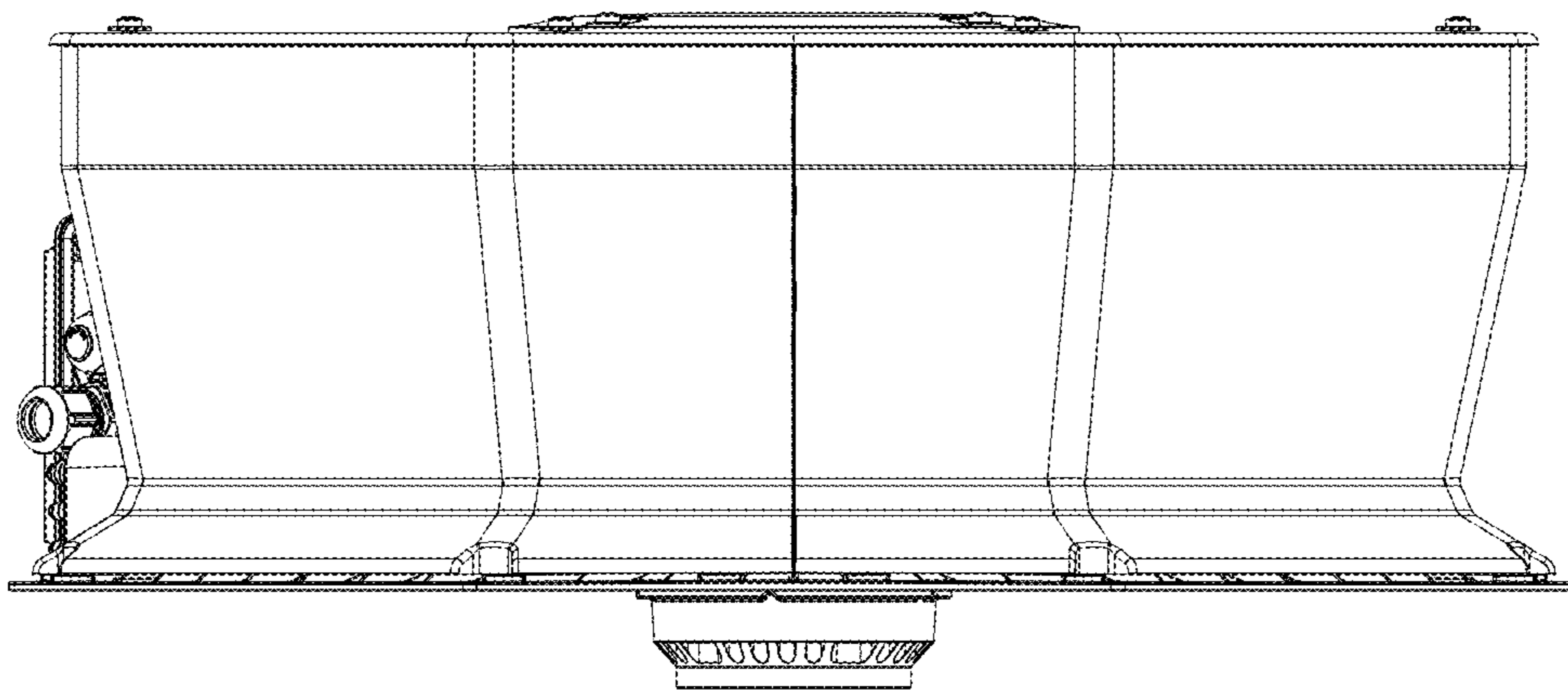


FIG - 5

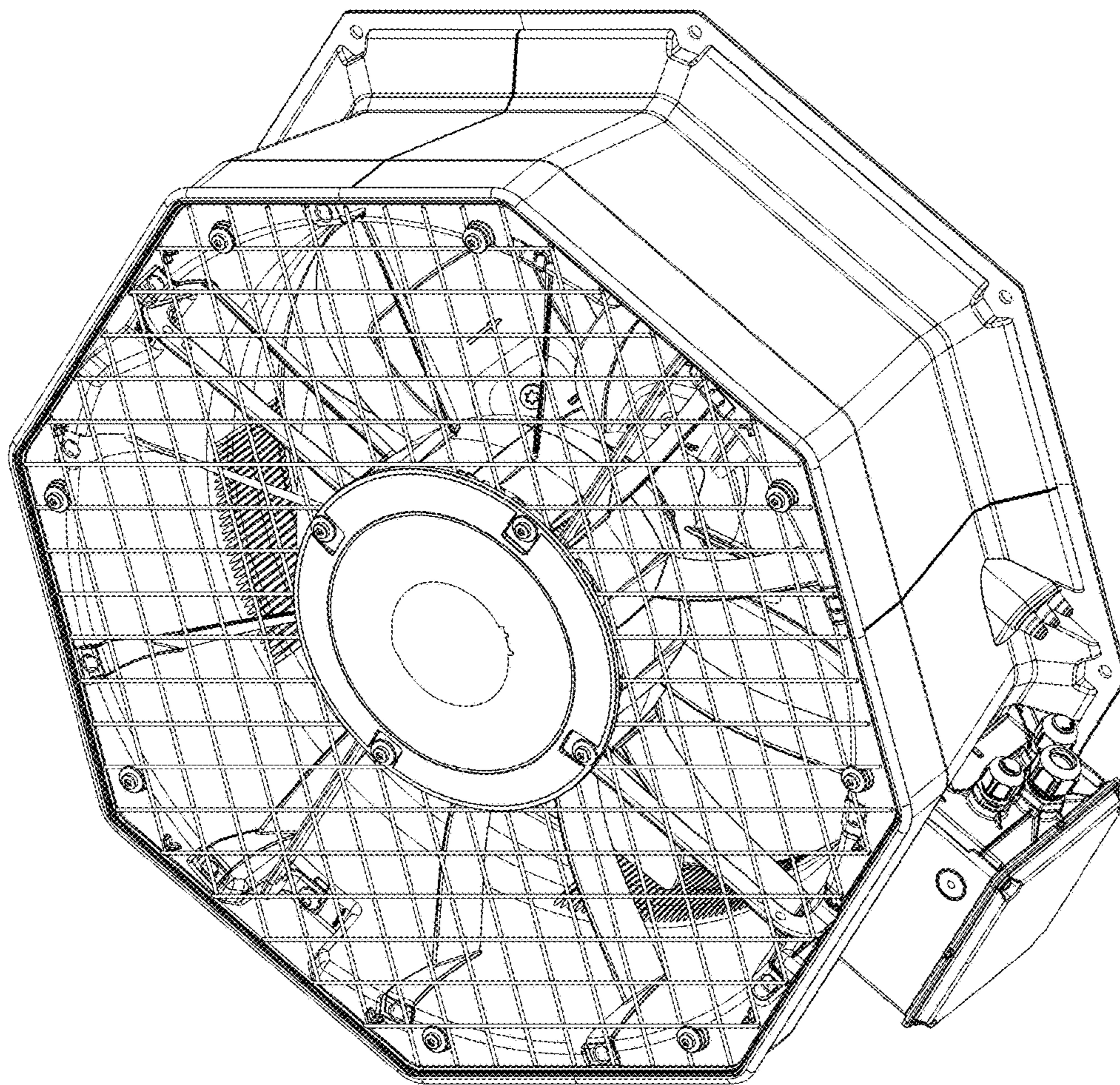


FIG - 6