



US00D779046S

(12) **United States Design Patent** (10) **Patent No.:** **US D779,046 S**
Tansey, Jr. (45) **Date of Patent:** **** Feb. 14, 2017**

(54) **THREADED CONNECTOR**
(71) Applicant: **Francis X. Tansey, Jr.**, Manalapan, NJ (US)
(72) Inventor: **Francis X. Tansey, Jr.**, Manalapan, NJ (US)

8,128,671 B2 3/2012 Taylor
8,506,225 B2 8/2013 Zakrzewski
8,511,960 B1 8/2013 Folk
D703,519 S * 4/2014 Senseney D8/382
8,696,281 B2 4/2014 Tomm
D745,638 S * 12/2015 Hickman D23/233
D761,394 S * 7/2016 Cushman D23/260
(Continued)

(73) Assignee: **FOUNTAIN MASTER, LLC**, Manalapan, NJ (US)

OTHER PUBLICATIONS

<http://co2reg.com/index.php/soda-stream-bottle-refill-adapter.html>
(Accessed on Apr. 22, 2015).

(**) Term: **15 Years**

(Continued)

(21) Appl. No.: **29/540,062**

Primary Examiner — Eric Goodman
Assistant Examiner — Amy Wierenga
(74) *Attorney, Agent, or Firm* — Gearhart Law LLC

(22) Filed: **Sep. 21, 2015**

(51) **LOC (10) Cl.** **23-01**

(52) **U.S. Cl.**
USPC **D23/262**

(57) **CLAIM**

(58) **Field of Classification Search**
USPC . D23/233–237, 259, 262, 264–266; D8/382;
D13/151, 154; D24/129; D7/397–398
CPC F16L 37/252; F16L 41/007; F16L 41/021
See application file for complete search history.

The ornamental design for a threaded connector, as shown and described.

DESCRIPTION

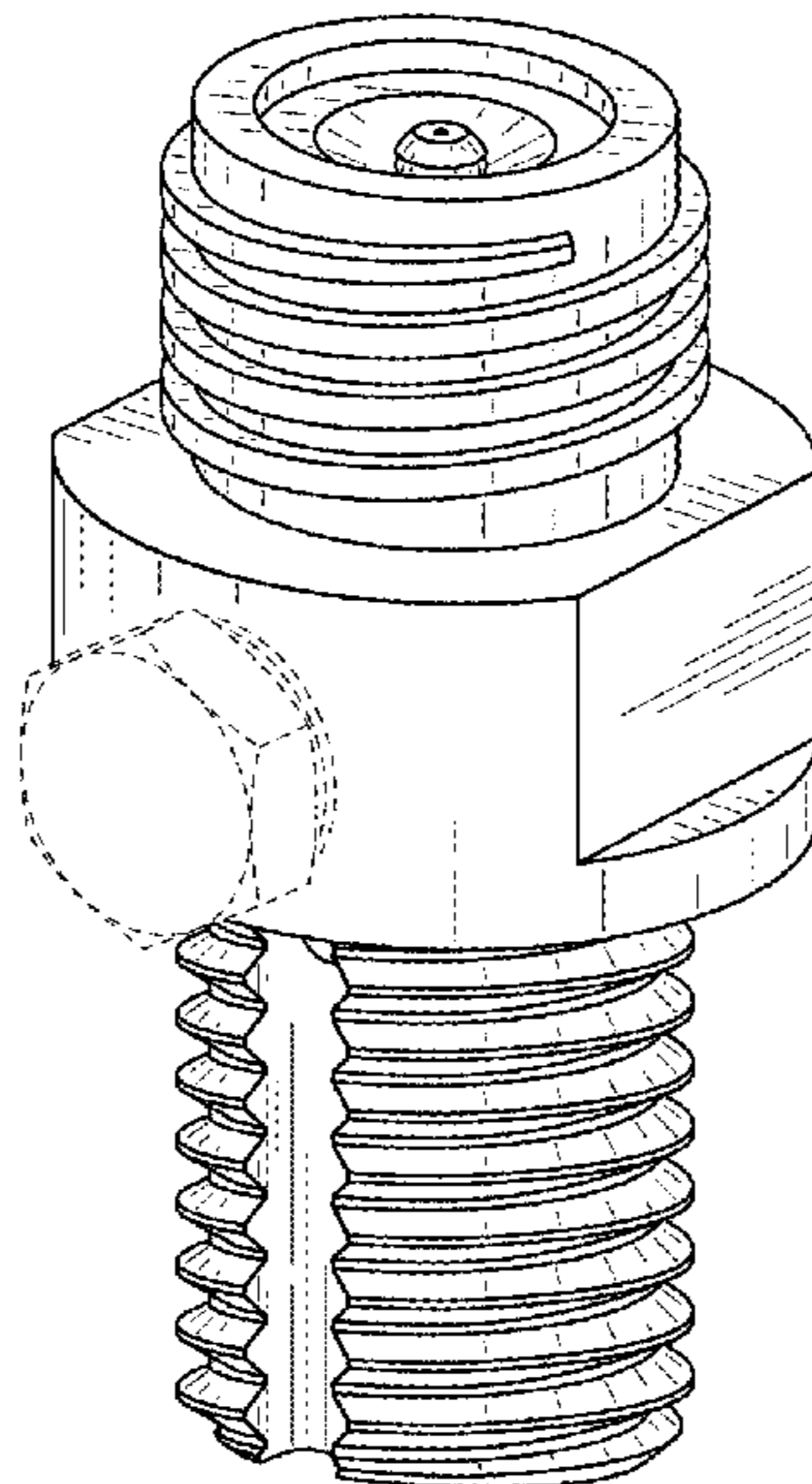
(56) **References Cited**

U.S. PATENT DOCUMENTS

2,349,651 A	5/1944	Davis	
3,707,107 A	12/1972	Bieri	
D262,969 S *	2/1982	Howes	239/533.12
D282,772 S *	2/1986	Fleury	D23/263
4,701,088 A	10/1987	Crull	
D315,400 S *	3/1991	Medvick	D23/262
5,252,015 A	10/1993	Davis	
D412,738 S *	8/1999	Kuwabara	D23/233
D435,635 S *	12/2000	Taneya	D23/233
D463,537 S *	9/2002	Kozu	D23/233
D468,806 S *	1/2003	Ripkey	D23/233
6,648,028 B2	11/2003	Hulley et al.	
D497,414 S *	10/2004	Matsumoto	D23/262
7,846,395 B2	12/2010	Shaw	

FIG. 1 is a perspective view of the threaded connector.
FIG. 2 is a front view of threaded connector as shown FIG. 1.
FIG. 3 is a back view thereof.
FIG. 4 is a left side view of FIG. 1.
FIG. 5 is a right side view of FIG. 1.
FIG. 6 is a top view of FIG. 1.
FIG. 7 is a bottom view thereof; and,
FIG. 8 is a perspective view of the threaded connector as shown in FIG. 1, shown in a position of use.
The broken lines shown in the drawings depict portions of the threaded connector that form no part of the claim. The broken lines shown in FIG. 8 are for the purpose of illustrating environment that form no part of the claim.

1 Claim, 5 Drawing Sheets



(56)

References Cited

U.S. PATENT DOCUMENTS

2010/0244438 A1* 9/2010 Johanson F16L 33/30
285/148.21
2014/0020777 A1* 1/2014 Kacik F16K 3/04
137/801
2015/0041472 A1 2/2015 Smith et al.

OTHER PUBLICATIONS

<http://www.co2doctor.com/usandcanada.htm> (Accessed on Apr. 22, 2015).

* cited by examiner

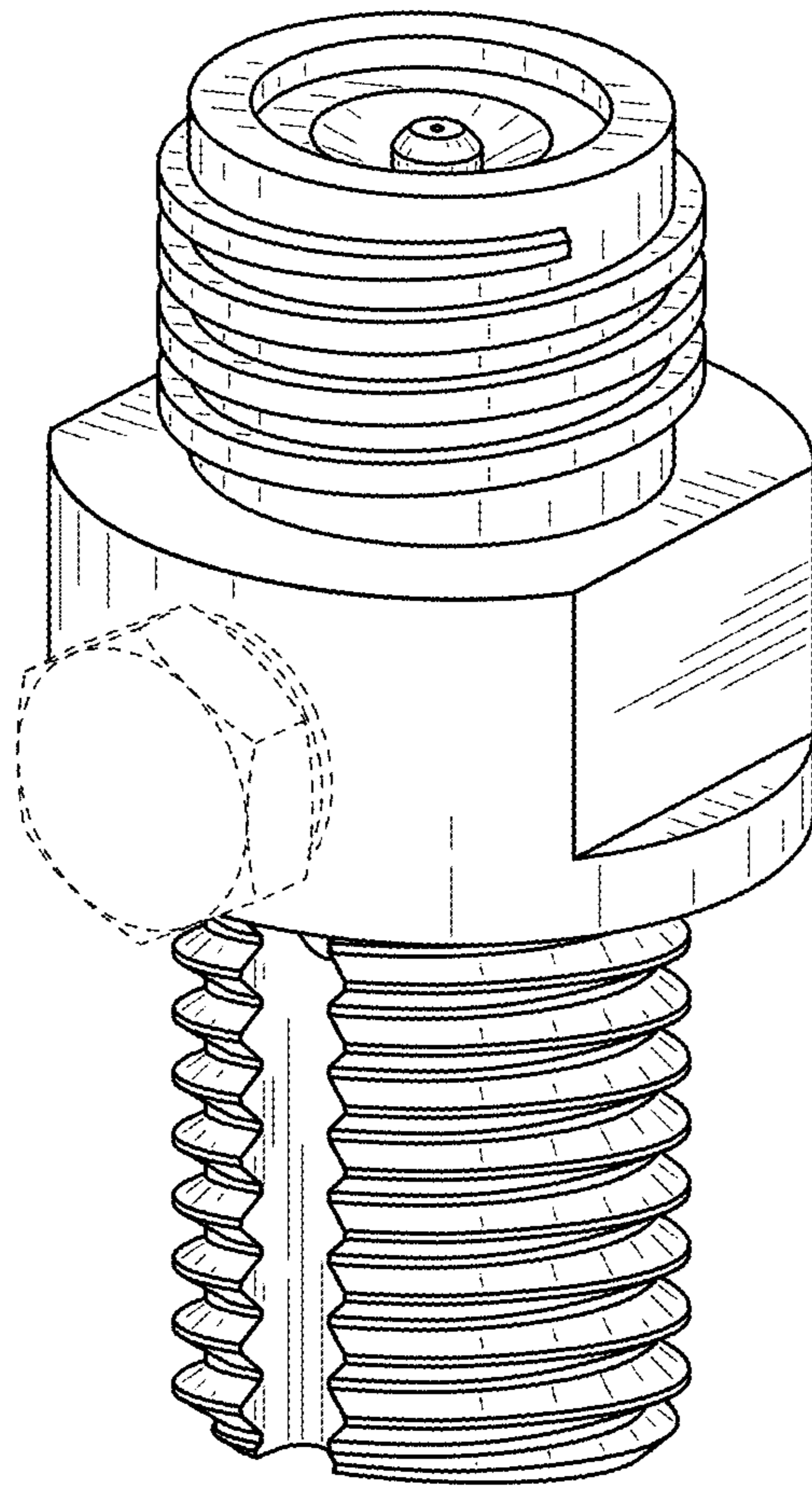


FIG. 1

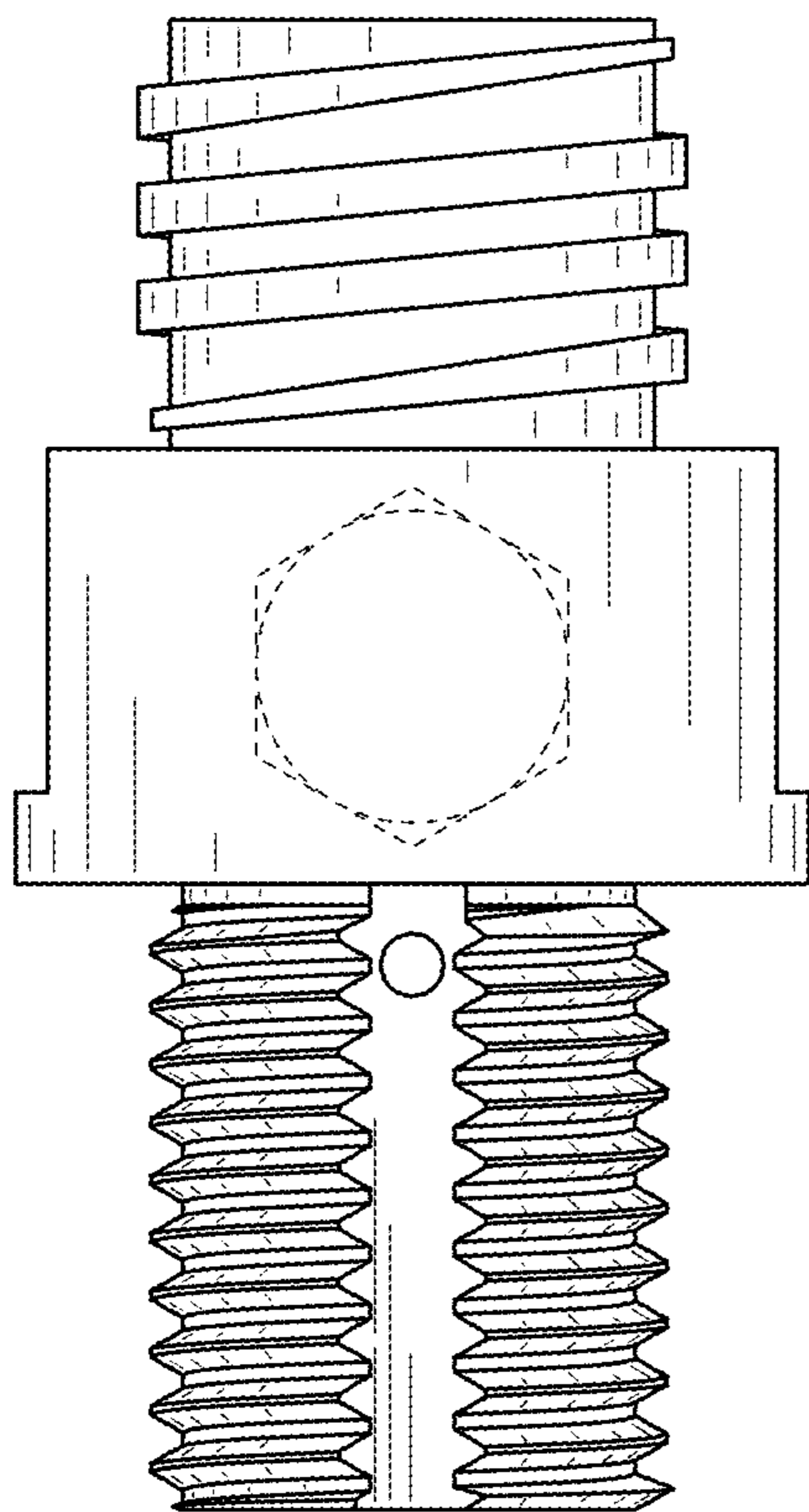


FIG. 2

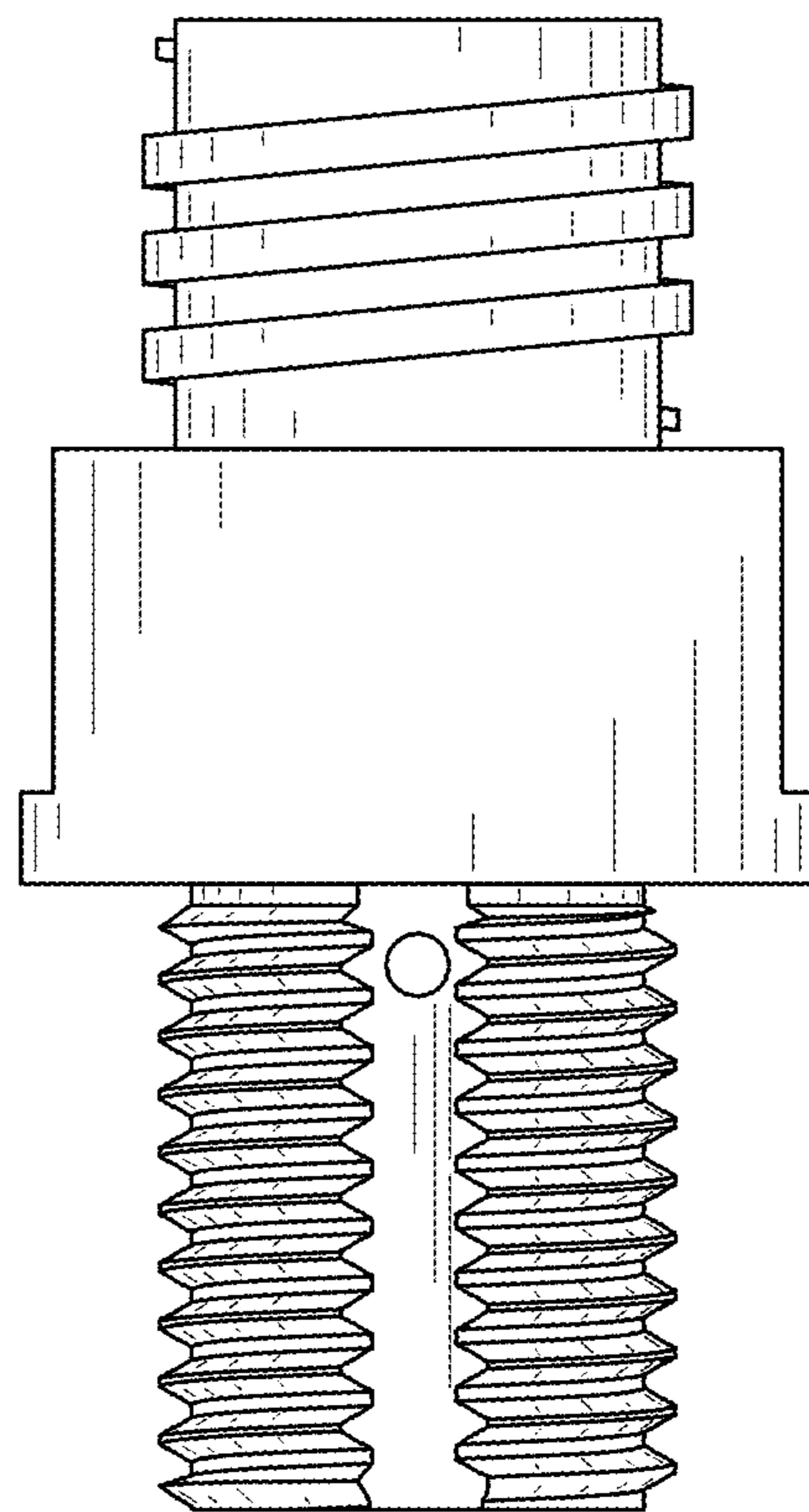


FIG. 3

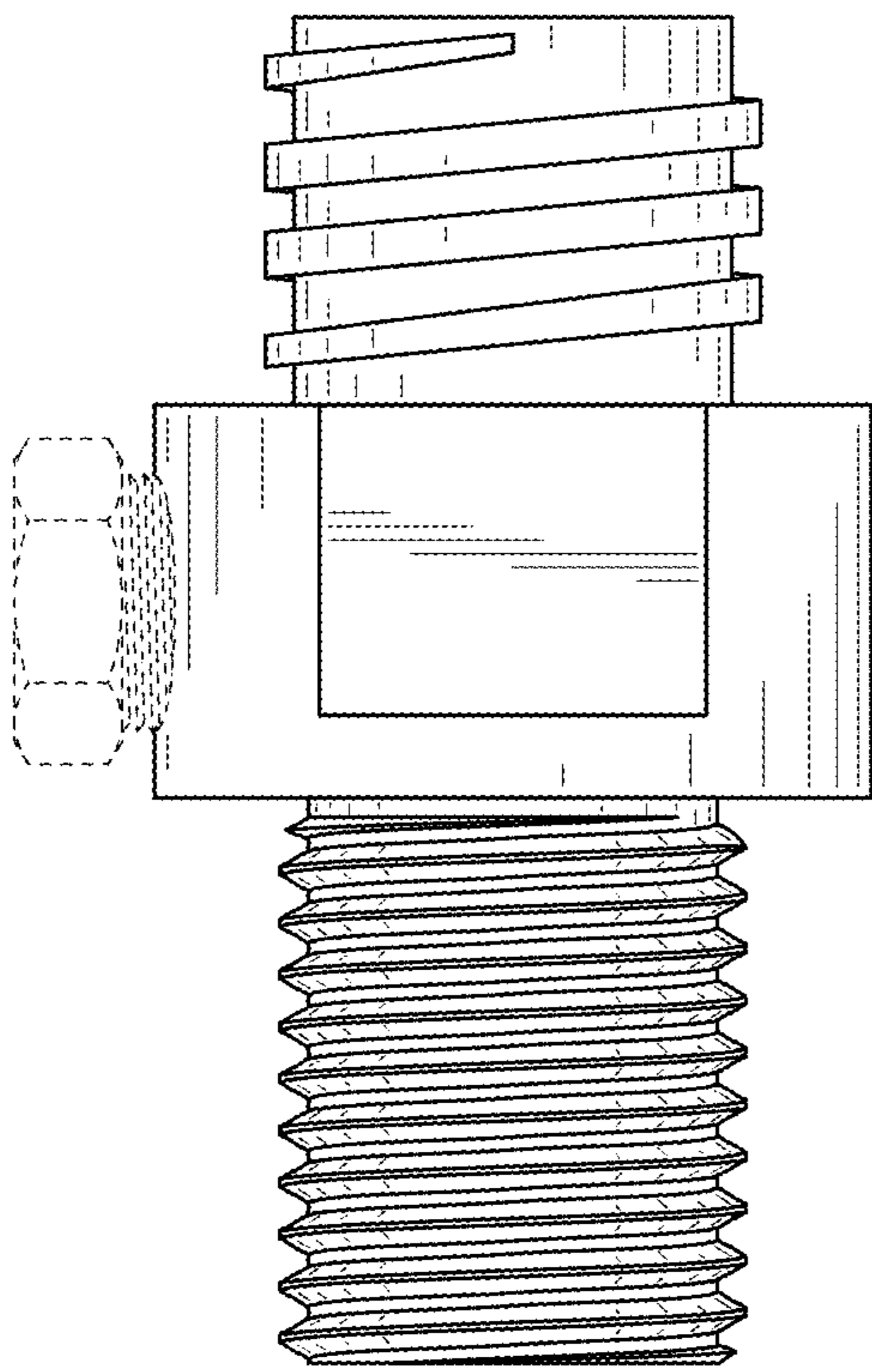


FIG. 4

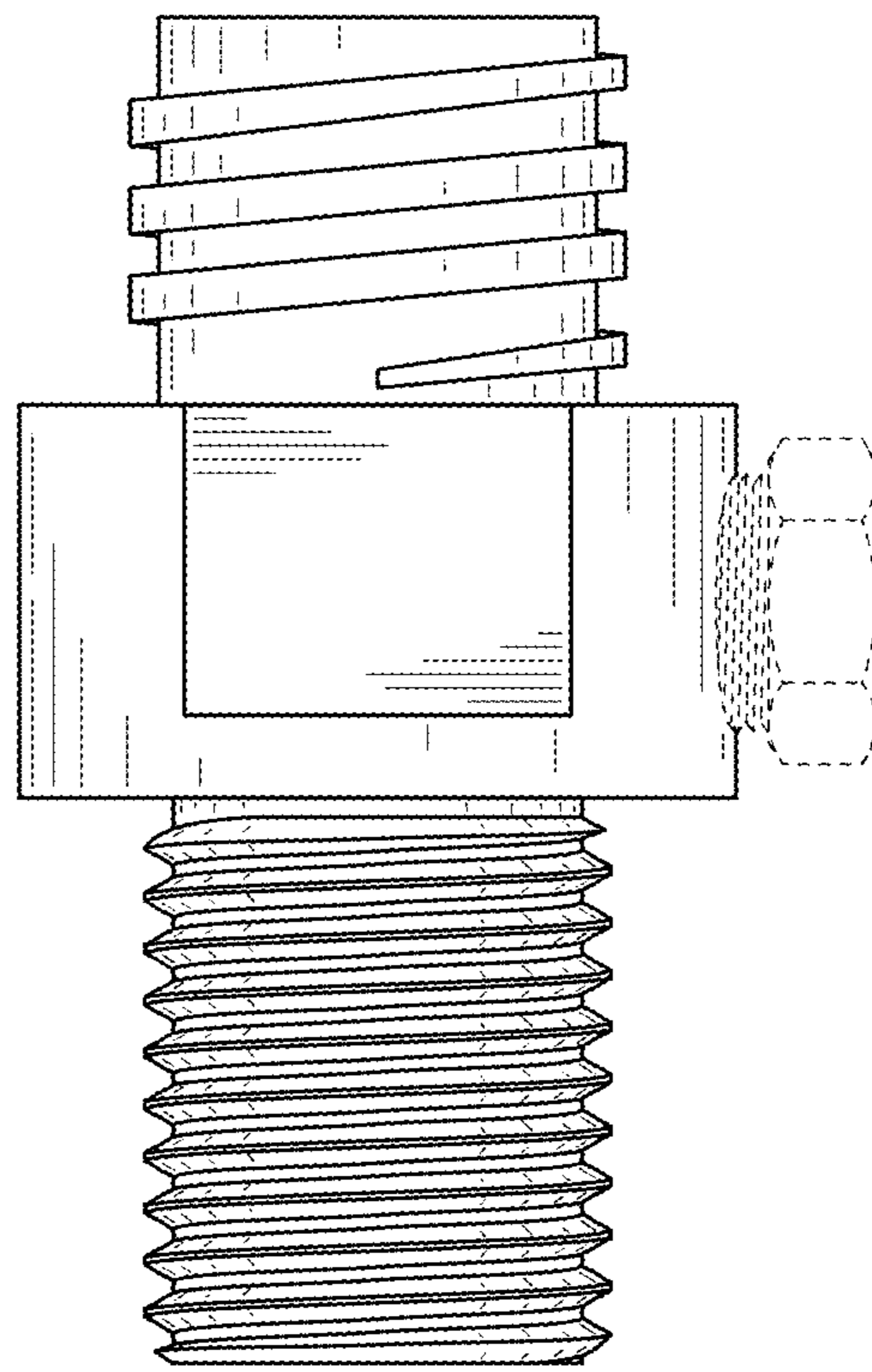


FIG. 5

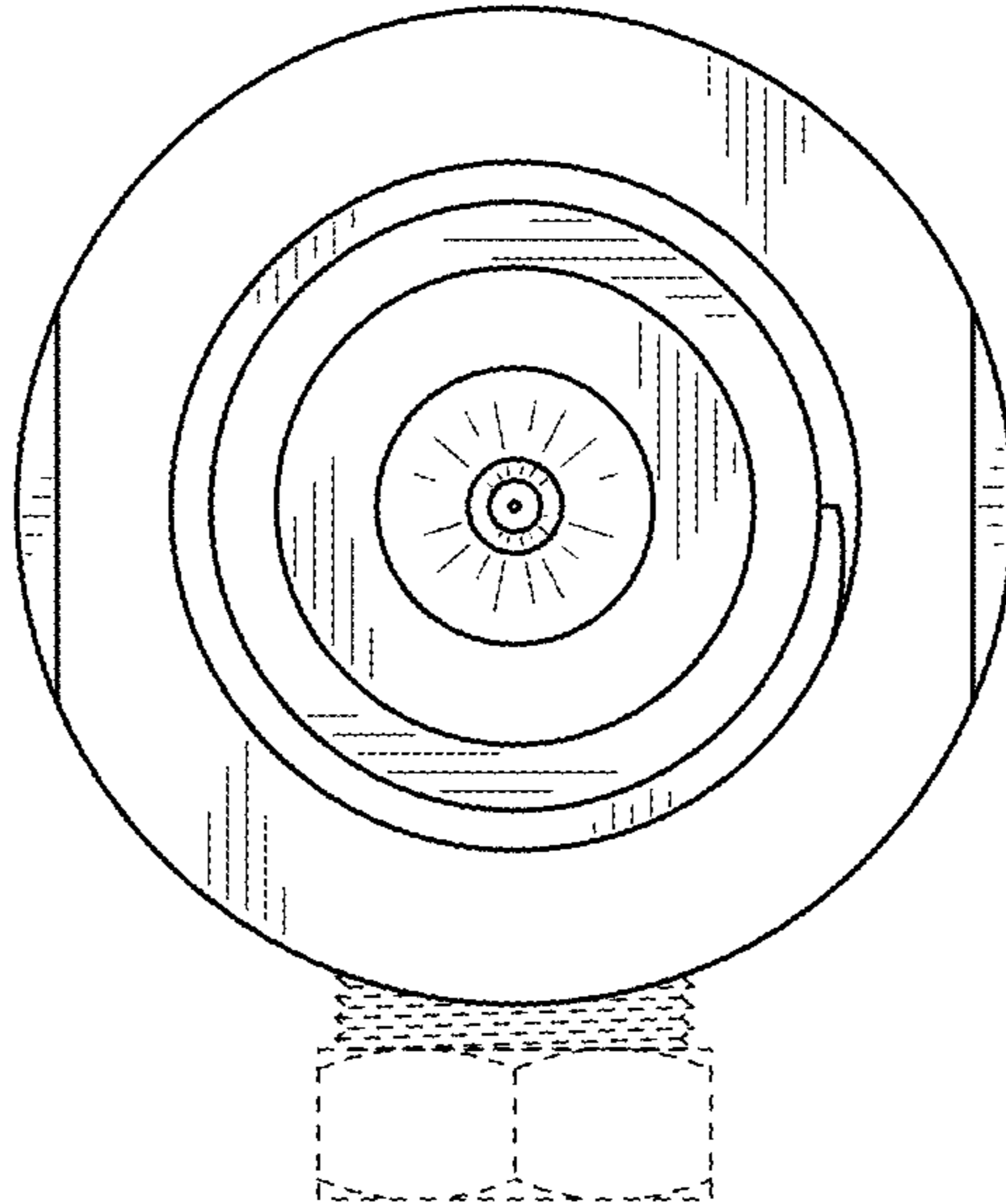


FIG. 6

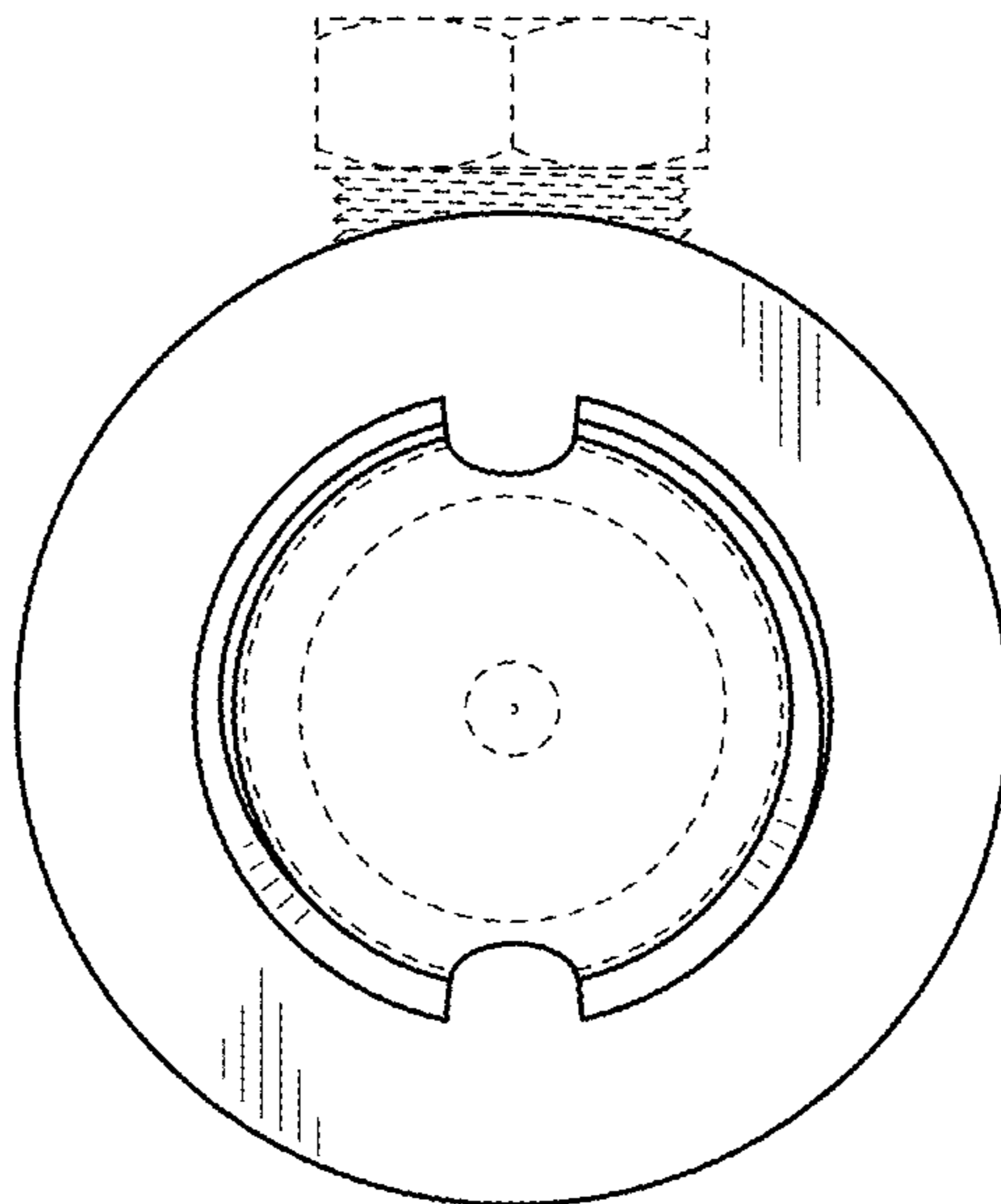


FIG. 7

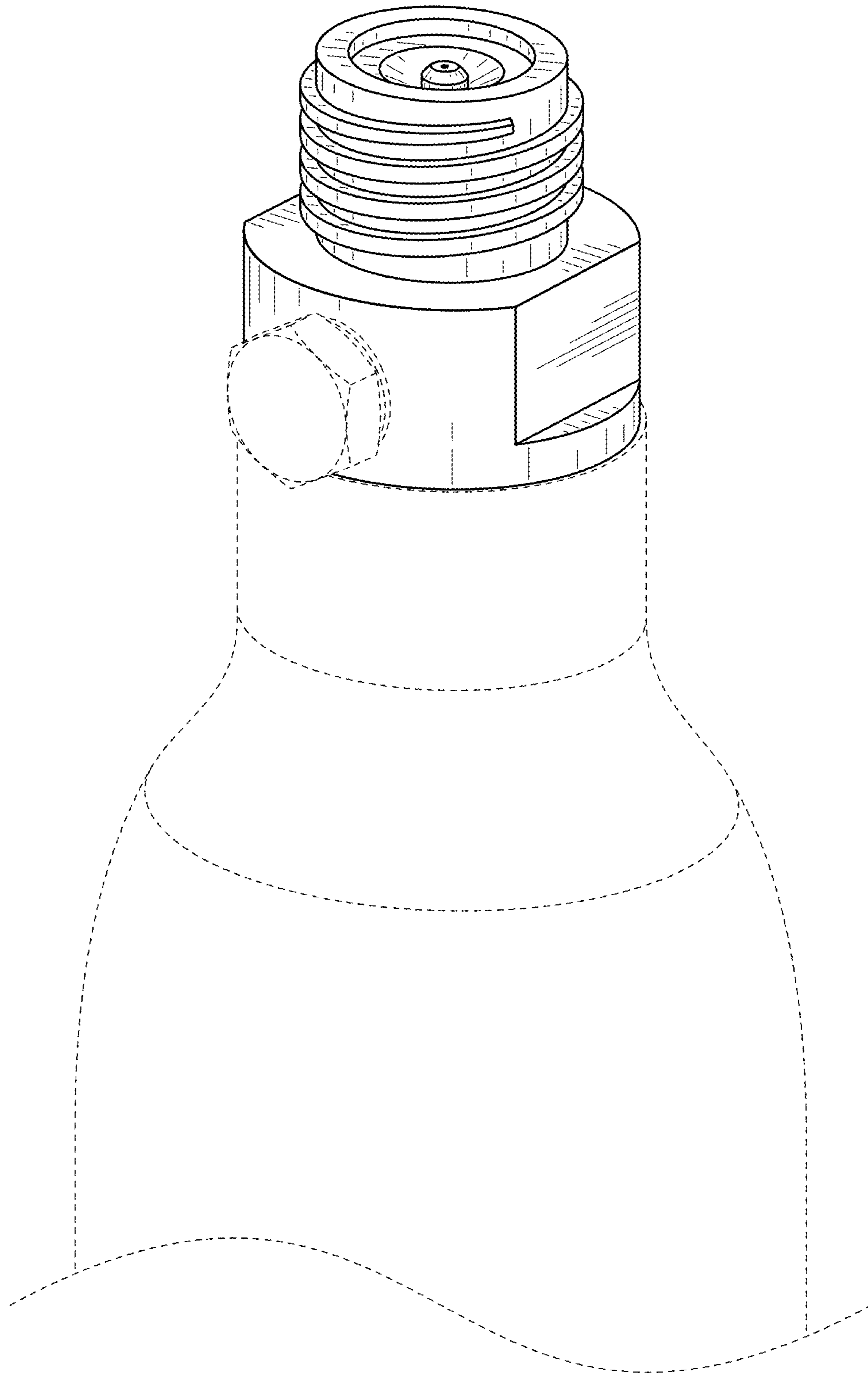


FIG. 8