



US00D779045S

(12) **United States Design Patent**
Johansen

(10) **Patent No.:** **US D779,045 S**

(45) **Date of Patent:** **** Feb. 14, 2017**

(54) **GRATING**

(71) Applicant: **Blucher Metal A/S, Vildbjerg (DK)**

(72) Inventor: **Per Thanning Johansen, Silkeborg (DK)**

(73) Assignee: **BLUCHER METAL A/S, Vildbjerg (DK)**

(**) Term: **15 Years**

(21) Appl. No.: **29/560,995**

(22) Filed: **Apr. 12, 2016**

Related U.S. Application Data

(62) Division of application No. 29/500,507, filed on Aug. 26, 2014.

(30) **Foreign Application Priority Data**

Feb. 28, 2014 (EM) 002415398

(51) **LOC (10) Cl.** **23-01**

(52) **U.S. Cl.**
USPC **D23/261**

(58) **Field of Classification Search**

USPC D23/259-263, 266-269, 233; 251/215, 251/216; 285/369, 372, 373, 417, 133.11, 285/133.3, 133.21, 133.4, 133.5, 133.6; 137/247, 247.41, 247.51
CPC F16L 11/00; F16L 37/252; F16L 41/007; E03C 1/26; E03C 1/262; E03C 1/28; E03F 5/04; A61B 5/00; A61M 25/09016

See application file for complete search history.

(56) **References Cited**

U.S. PATENT DOCUMENTS

1,852,123 A * 4/1932 Lutsky E03C 1/23 137/625.21
1,904,423 A 4/1933 Eby

RE24,690 E * 8/1959 Yavitch G01M 3/00 285/119
3,525,105 A 8/1970 Richards
4,067,072 A * 1/1978 Izzi E03F 5/0407 285/12
D255,744 S 7/1980 Dekko
4,620,330 A * 11/1986 Izzi, Sr. E03C 1/12 138/89
4,910,811 A * 3/1990 Izzi, Sr. E03F 5/0407 210/163
5,130,016 A 7/1992 Gavin
D348,924 S * 7/1994 Merrett D23/261
(Continued)

OTHER PUBLICATIONS

U.S. Appl. No. 29/500,507, filed Aug. 26, 2014, Johansen.

(Continued)

Primary Examiner — Sandra Snapp

(74) *Attorney, Agent, or Firm* — Sheridan Ross PC

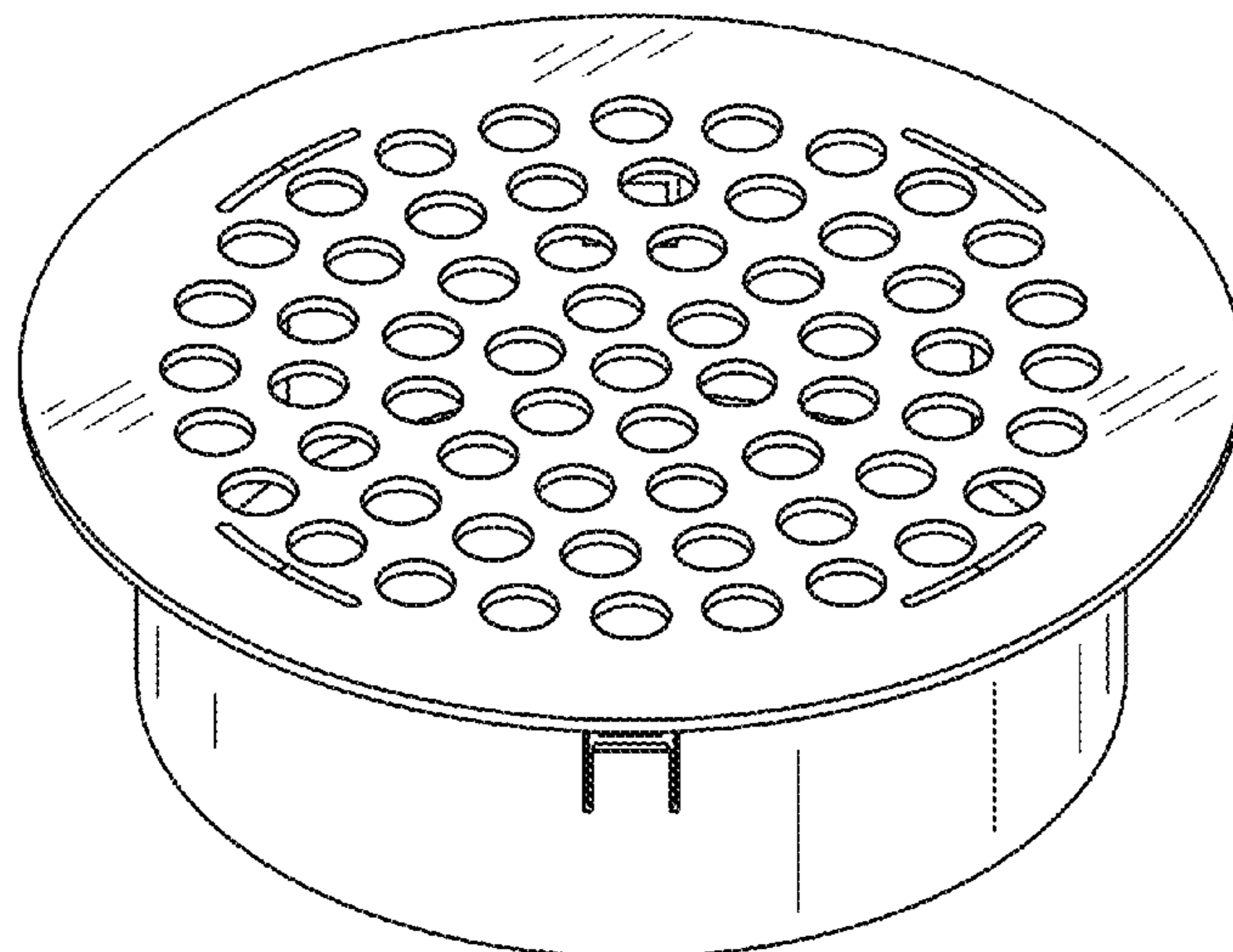
(57) **CLAIM**

The ornamental design for a grating, as shown and described.

DESCRIPTION

FIG. 1 is a perspective view of the grating;
FIG. 2 is a top plan view of the embodiment of FIG. 1;
FIG. 3 is a bottom plan view of the embodiment of FIG. 1;
FIG. 4 is a front elevation view of the embodiment of FIG. 1;
FIG. 5 is a rear elevation view of the embodiment of FIG. 1;
FIG. 6 is a left side view of the embodiment of FIG. 1; and,
FIG. 7 is a right side view of the embodiment of FIG. 1.

1 Claim, 3 Drawing Sheets



(56)

References Cited

U.S. PATENT DOCUMENTS

5,878,448 A * 3/1999 Molter E03F 5/0408
 4/288
 D419,652 S * 1/2000 Hall D23/259
 D422,061 S 3/2000 Lee
 6,249,920 B1 * 6/2001 McRoberts E03C 1/232
 4/286
 D454,177 S * 3/2002 Tracy D23/261
 6,908,549 B2 6/2005 Middleton et al.
 D528,193 S 9/2006 Lee
 7,144,185 B2 12/2006 Messerschmidt et al.
 7,419,588 B2 9/2008 Lawson
 7,490,375 B2 2/2009 Luk
 D599,444 S 9/2009 Jones
 D670,362 S * 11/2012 Eylon D23/261
 D670,794 S * 11/2012 Antonello D23/262
 D672,438 S 12/2012 Noel
 D673,246 S 12/2012 Lee
 D677,764 S 3/2013 Laera
 D687,524 S 8/2013 Heiser

D687,525 S 8/2013 Heiser
 8,951,413 B2 2/2015 Lawson
 D728,077 S 4/2015 Luo
 D743,509 S 11/2015 Traub et al.
 D746,955 S * 1/2016 Corder D23/261
 D749,706 S 2/2016 Johansen
 D761,942 S 7/2016 Santos
 2007/0180604 A1 * 8/2007 Griffin E04H 4/14
 4/507

OTHER PUBLICATIONS

U.S. Appl. No. 29/560,989, filed Apr. 12, 2016, Johansen.
 Official Action for U.S. Appl. No. 29/500,507, mailed Feb. 12,
 2016, 5 pages, Restriction Requirement.
 Notice of Allowance for U.S. Appl. No. 29/500,507, mailed Jun. 24,
 2016, 9 pages.
 Notice of Allowance for U.S. Appl. No. 29/560,989, mailed Sep. 14,
 2016, 6 pages.

* cited by examiner

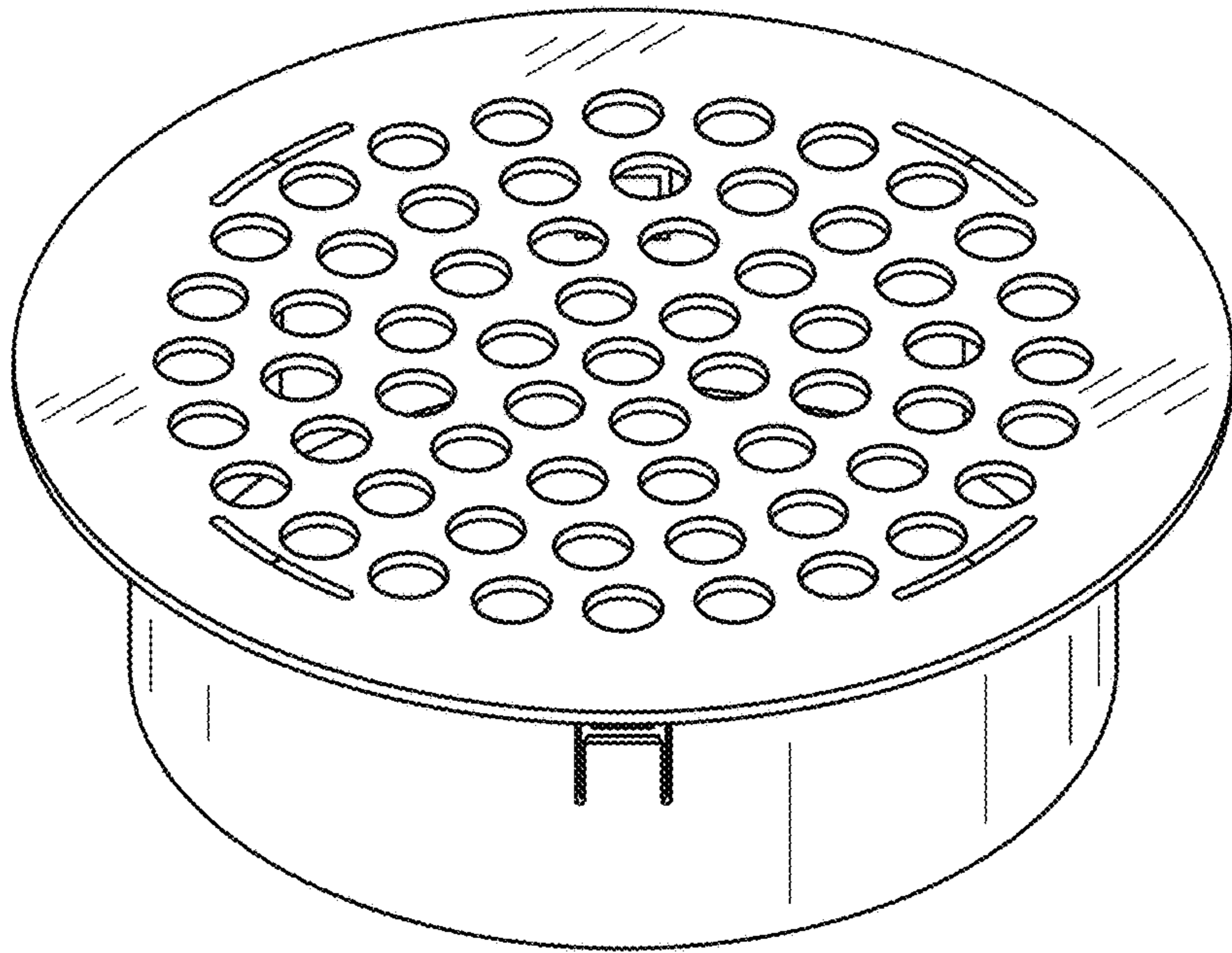


FIG. 1

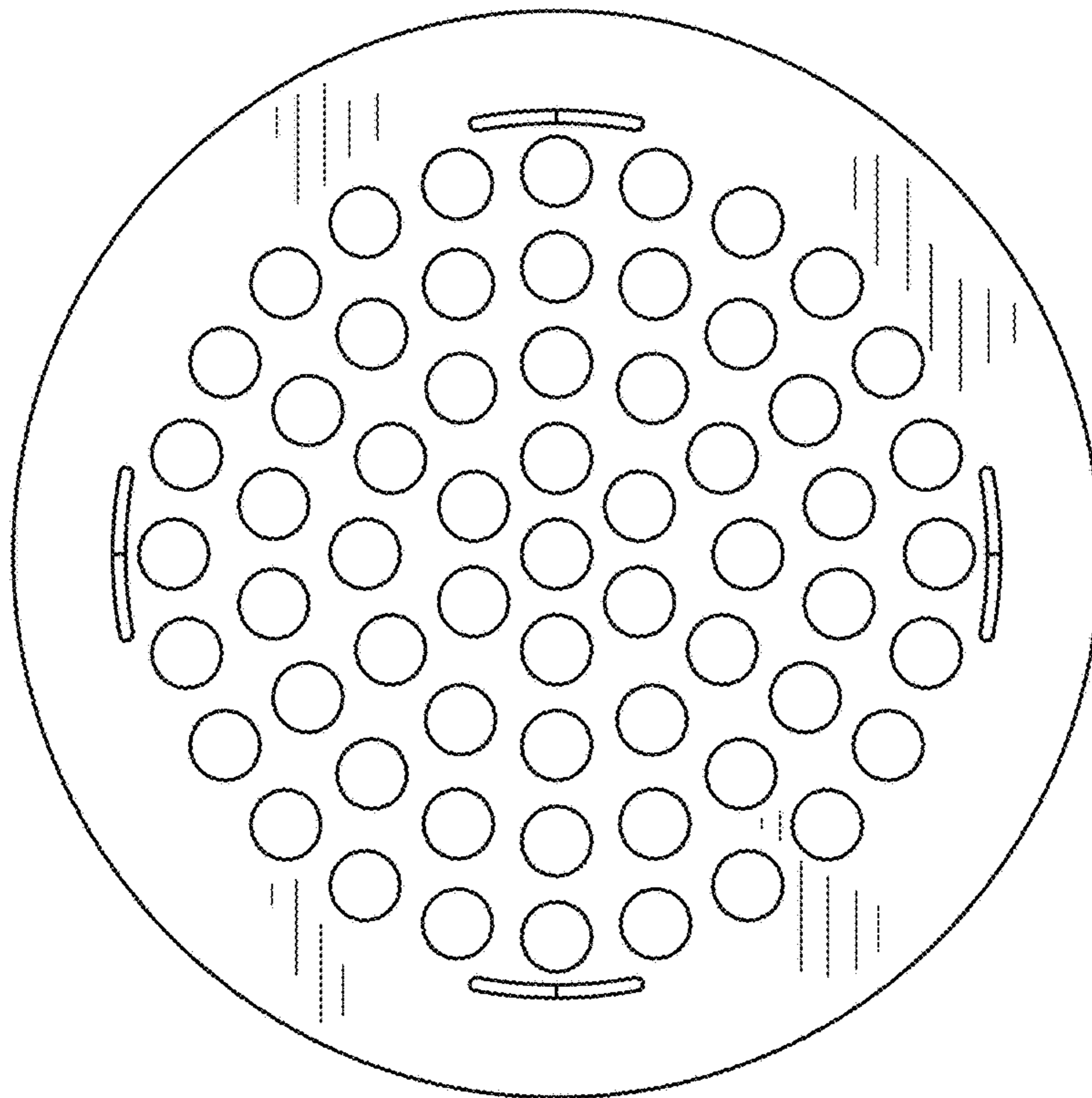


FIG. 2

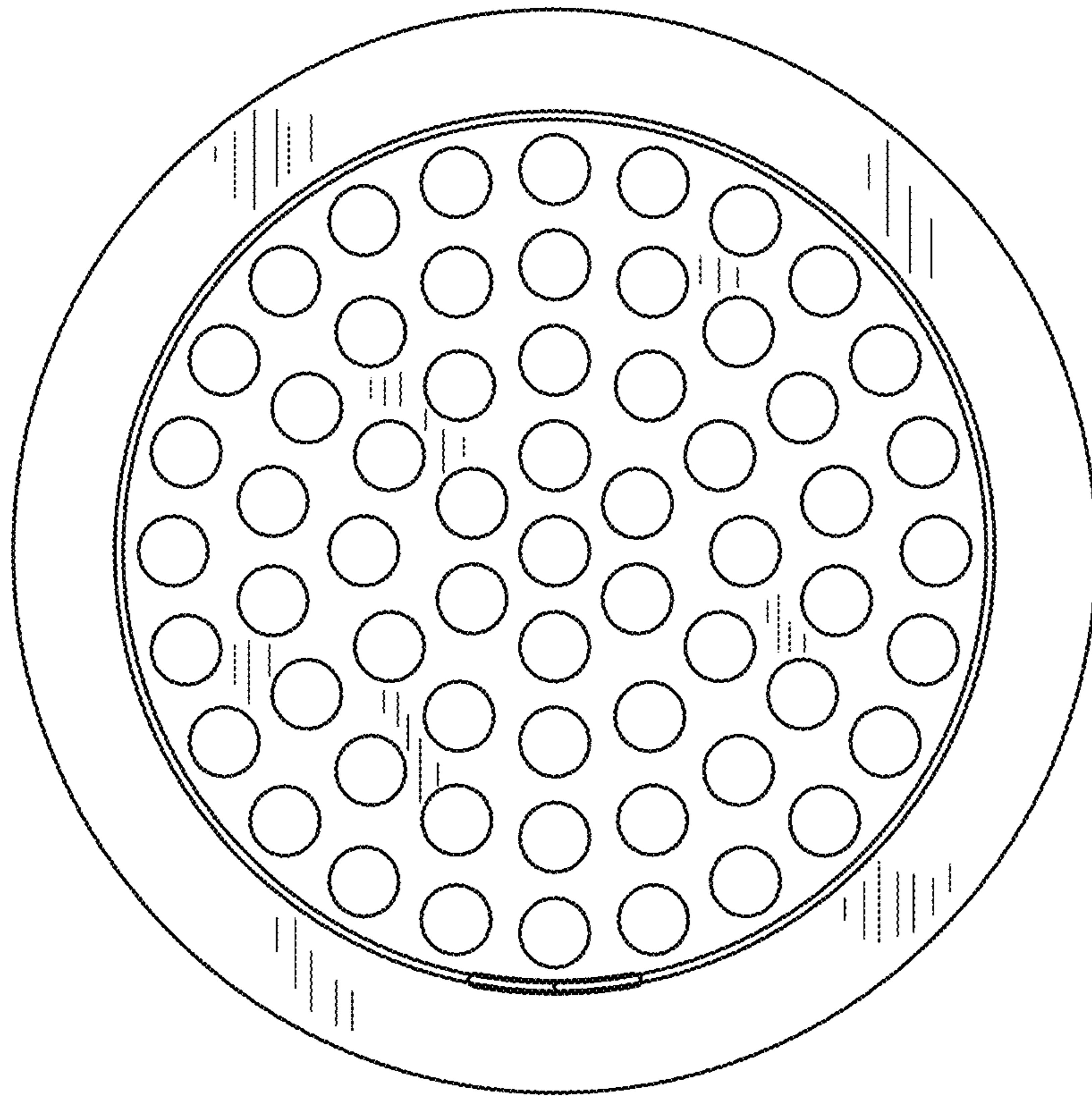


FIG. 3

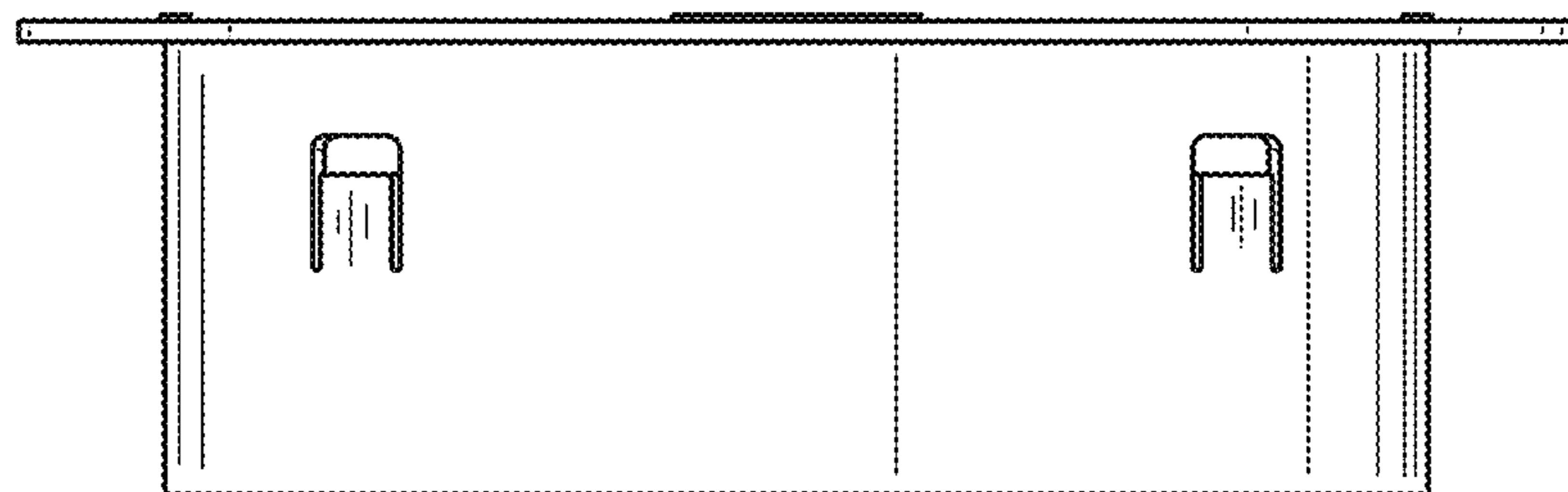


FIG. 4

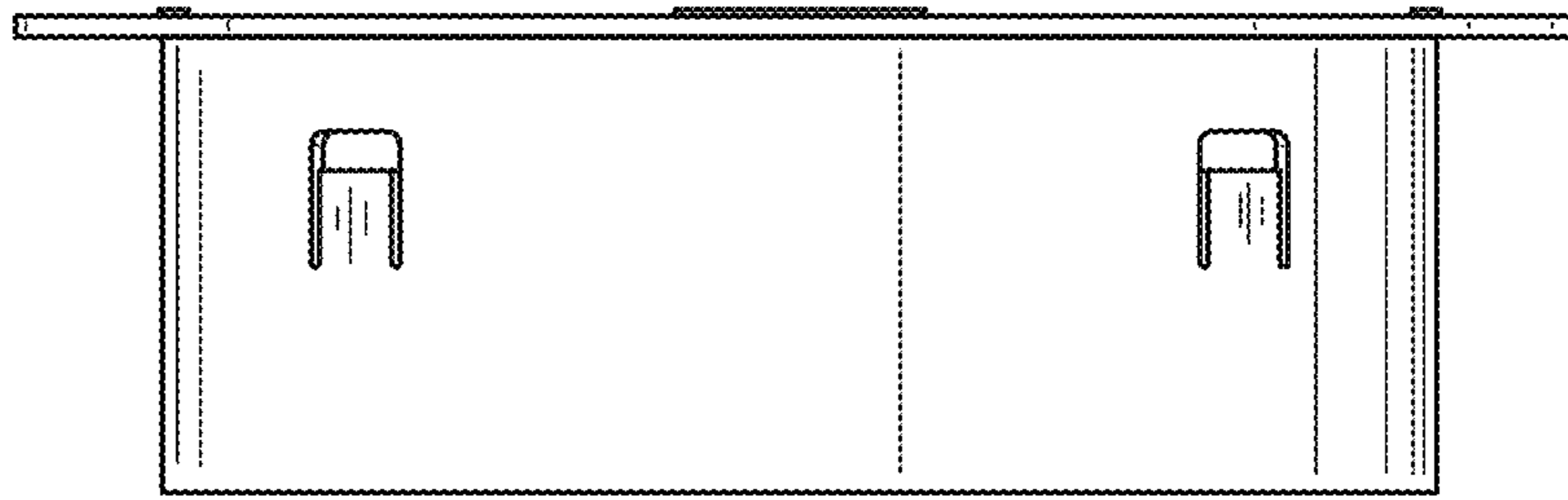


FIG. 5

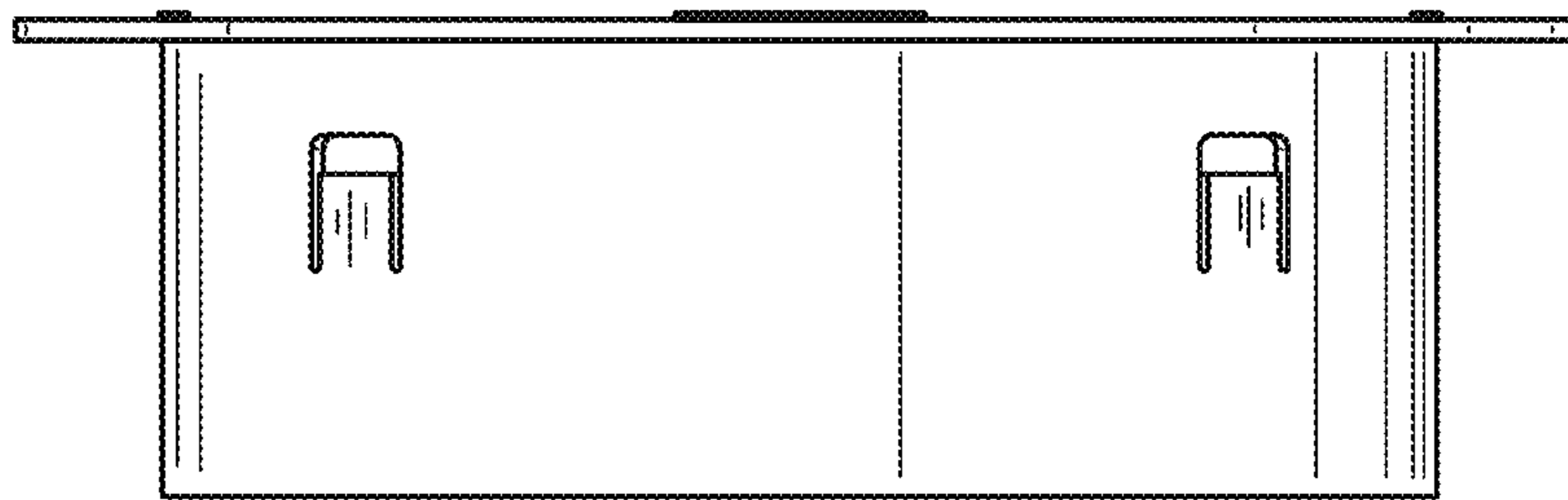


FIG. 6

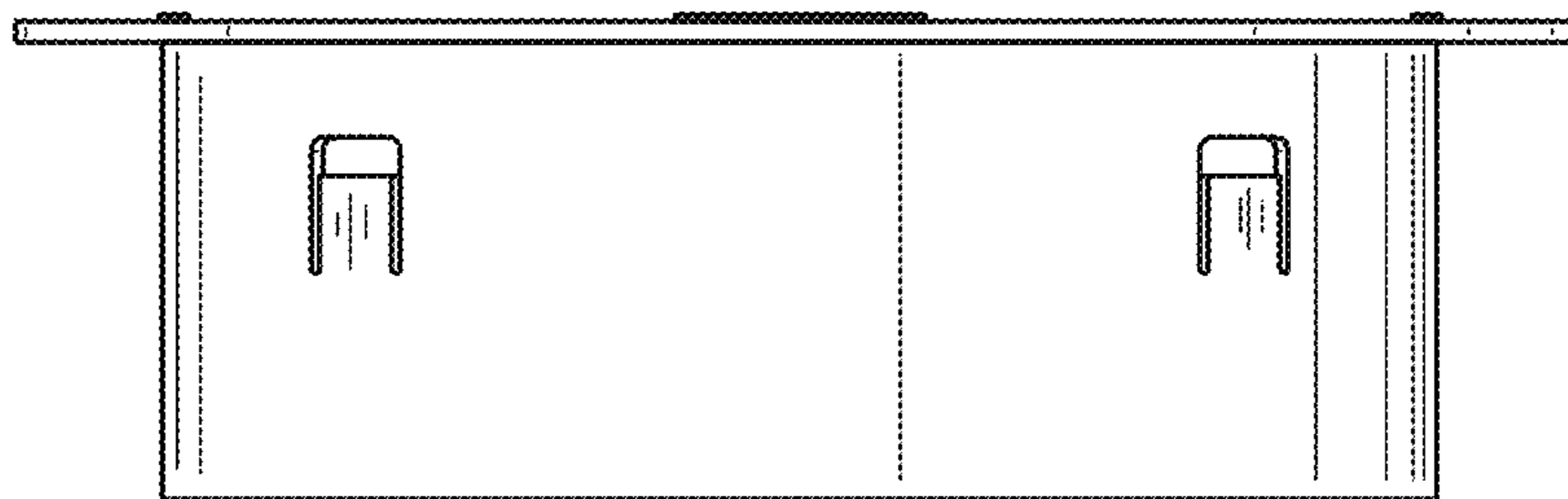


FIG. 7