



US00D779044S

(12) **United States Design Patent**
Flowers et al.

(10) **Patent No.:** **US D779,044 S**

(45) **Date of Patent:** **** Feb. 14, 2017**

(54) **FAUCET**

(71) Applicant: **Grohe AG**, Hemer (DE)

(72) Inventors: **Paul Flowers**, Duesseldorf (DE); **Hans Lobermeier**, Menden (DE)

(73) Assignee: **Grohe AG**, Hemer (DE)

(**) Term: **14 Years**

(21) Appl. No.: **29/513,949**

(22) Filed: **Jan. 7, 2015**

(30) **Foreign Application Priority Data**

Jul. 8, 2014 (EM) 002498253-0013

(51) **LOC (10) Cl.** **23-01**

(52) **U.S. Cl.**
USPC **D23/238**

(58) **Field of Classification Search**
USPC D23/238, 241–243, 249–250, 254–255,
D23/257

CPC E03C 1/04; E03C 1/0401; E03C 1/0402;
E03C 1/0404

See application file for complete search history.

(56) **References Cited**

U.S. PATENT DOCUMENTS

D462,419 S *	9/2002	Gottwald	D23/238
D528,633 S *	9/2006	Bayer	D23/238
D540,913 S *	4/2007	Haug	D23/238
D585,524 S *	1/2009	Schoenherr	D23/238
D618,764 S *	6/2010	Gao	D23/238

D643,909 S *	8/2011	Flowers	D23/238
D644,718 S *	9/2011	Flowers	D23/238
D665,882 S *	8/2012	Flowers	D23/252
D693,438 S *	11/2013	Flowers	D23/238
D698,421 S *	1/2014	Schoenherr	D23/238
D700,955 S *	3/2014	Schoenherr	D23/238
D723,662 S *	3/2015	Downey	D23/238
D739,501 S *	9/2015	Flowers	D23/252
D740,394 S *	10/2015	Flowers	D23/252
D740,919 S *	10/2015	Flowers	D23/252
D755,930 S *	5/2016	Flowers	D23/238

* cited by examiner

Primary Examiner — Robert Delehanty

(74) *Attorney, Agent, or Firm* — Muncy, Geissler, Olds & Lowe, P.C.

(57) **CLAIM**

The ornamental design for a faucet, as shown and described.

DESCRIPTION

FIG. 1 is a front perspective view of a faucet according to the present invention.

FIG. 2 is a left side view of the faucet of FIG. 1.

FIG. 3 is a right side view of the faucet of FIG. 1.

FIG. 4 is a top view of the faucet of FIG. 1.

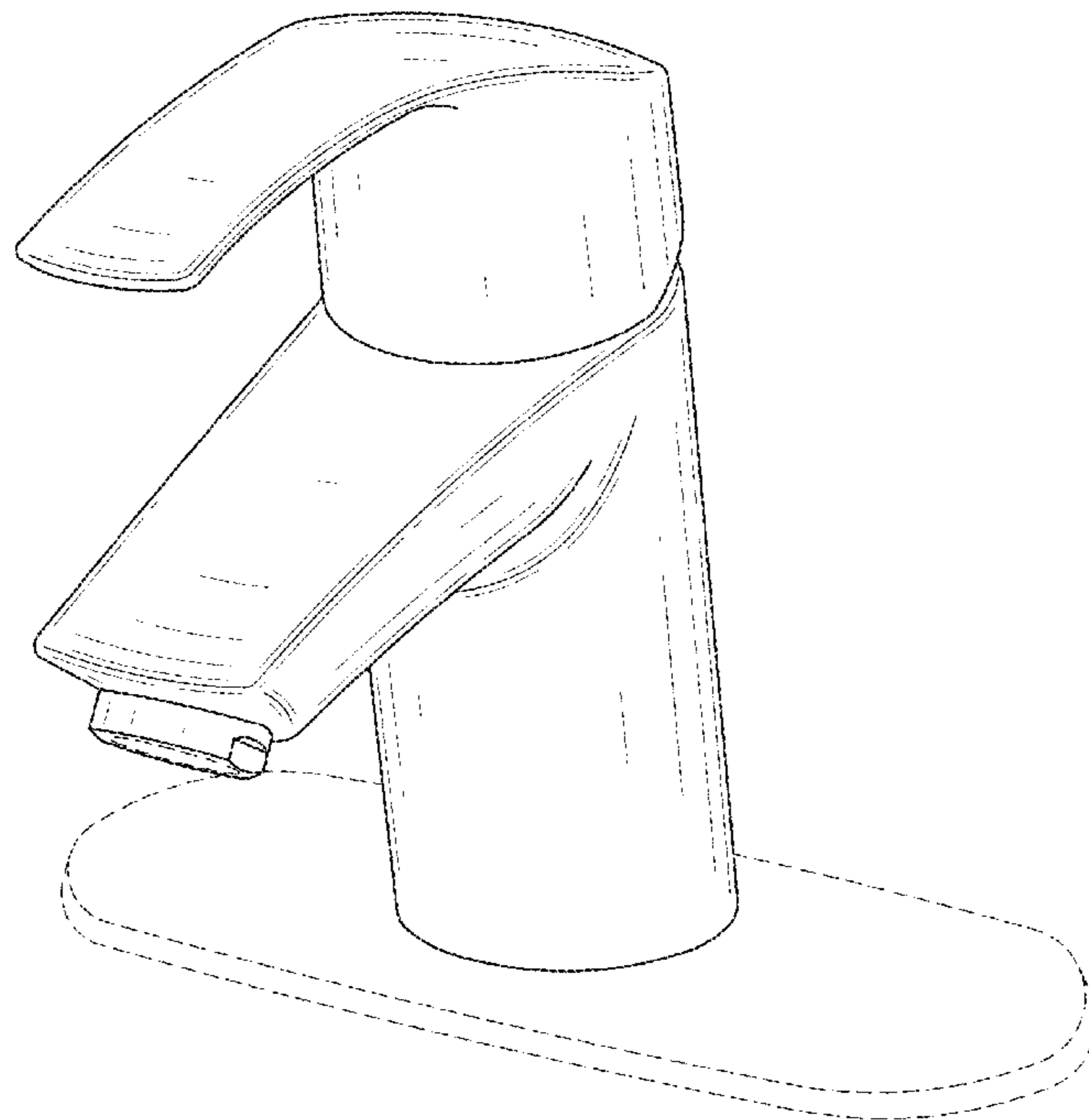
FIG. 5 is a bottom view of the faucet of FIG. 1.

FIG. 6 is a front view of the faucet of FIG. 1; and,

FIG. 7 is a rear view of the faucet of FIG. 1.

The dashed lines illustrate environment that does not form a part of the present invention, and no claim is made to the material illustrated with dashed lines.

1 Claim, 7 Drawing Sheets



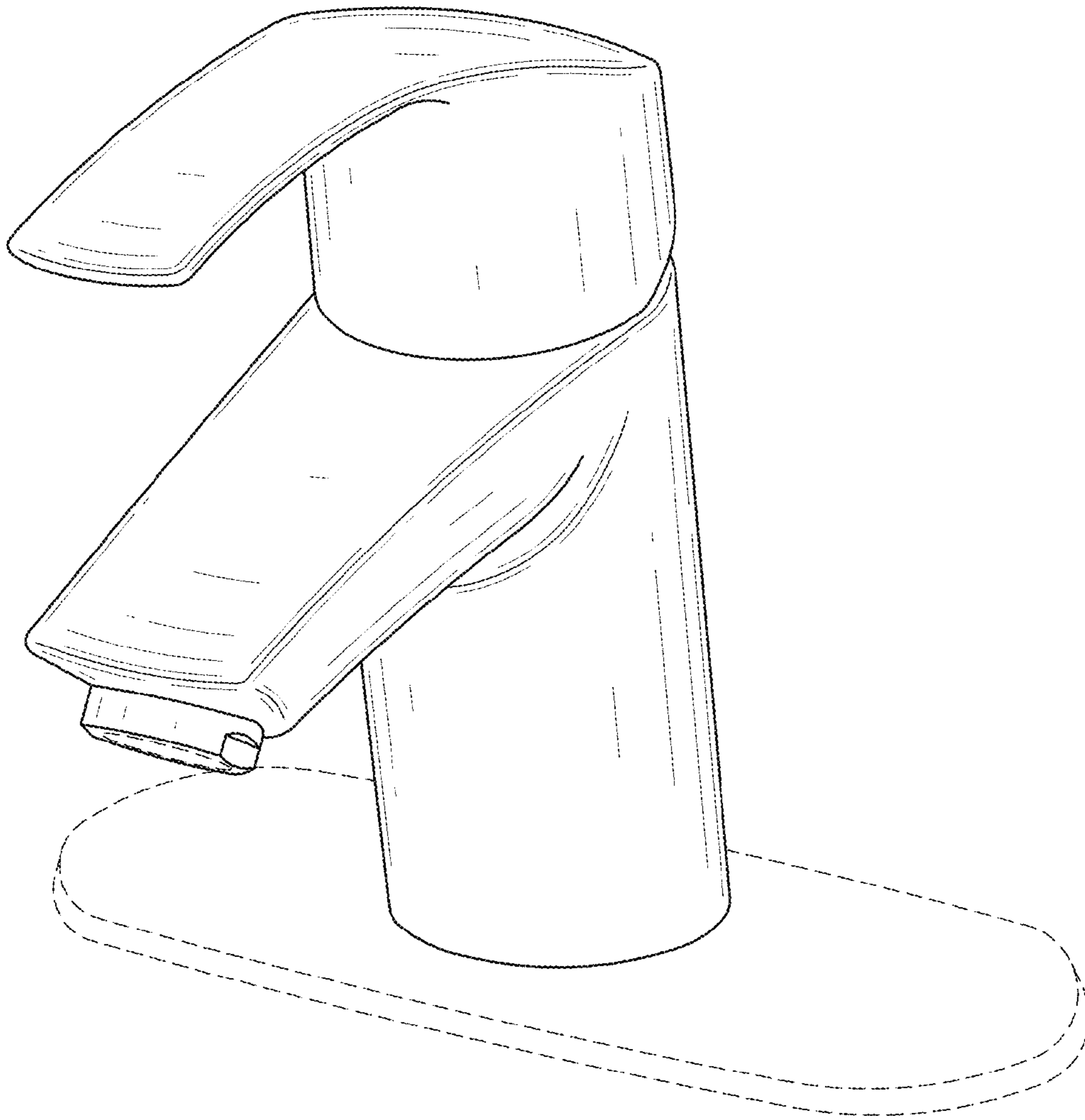


FIG.1

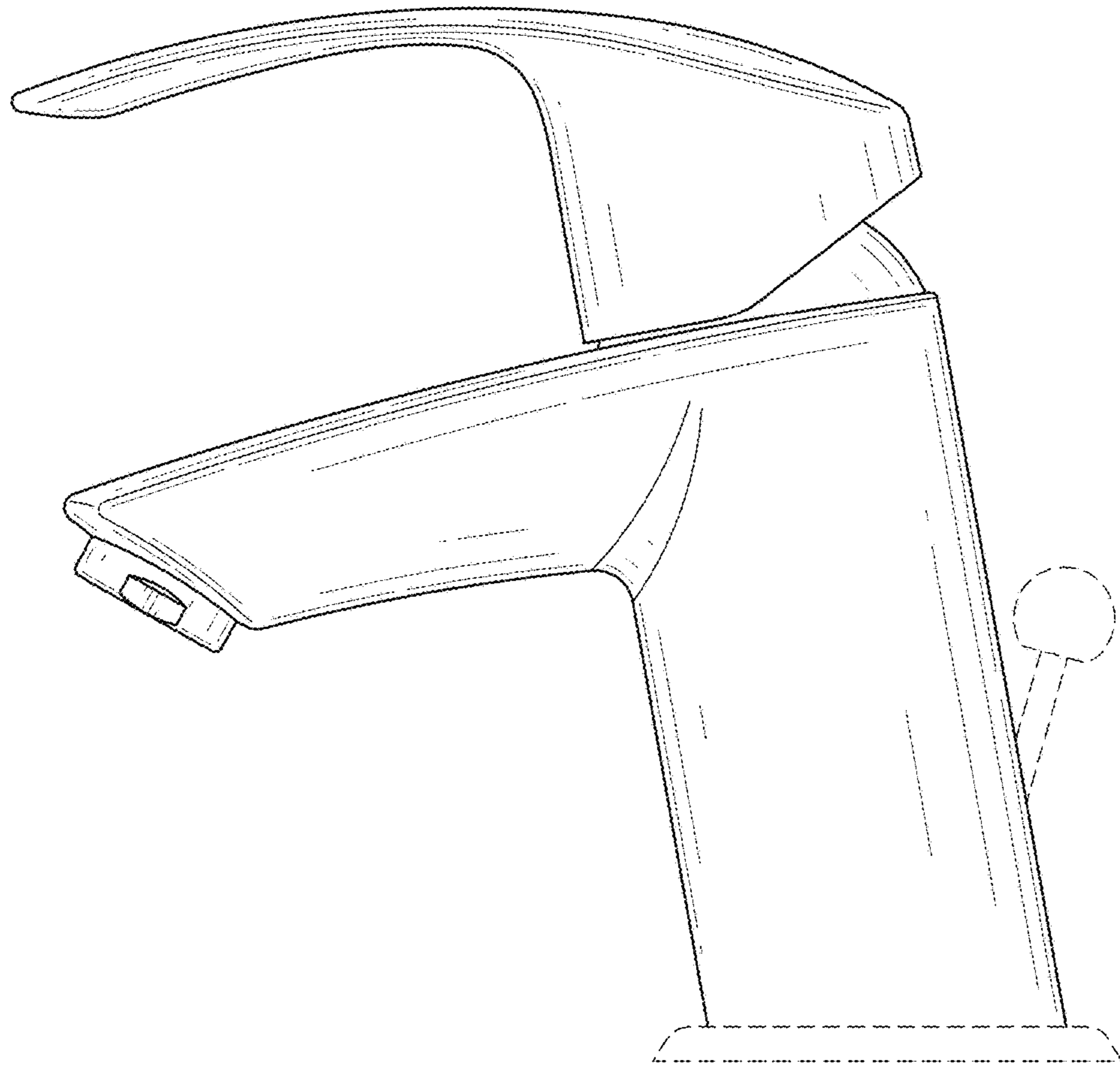


FIG.2

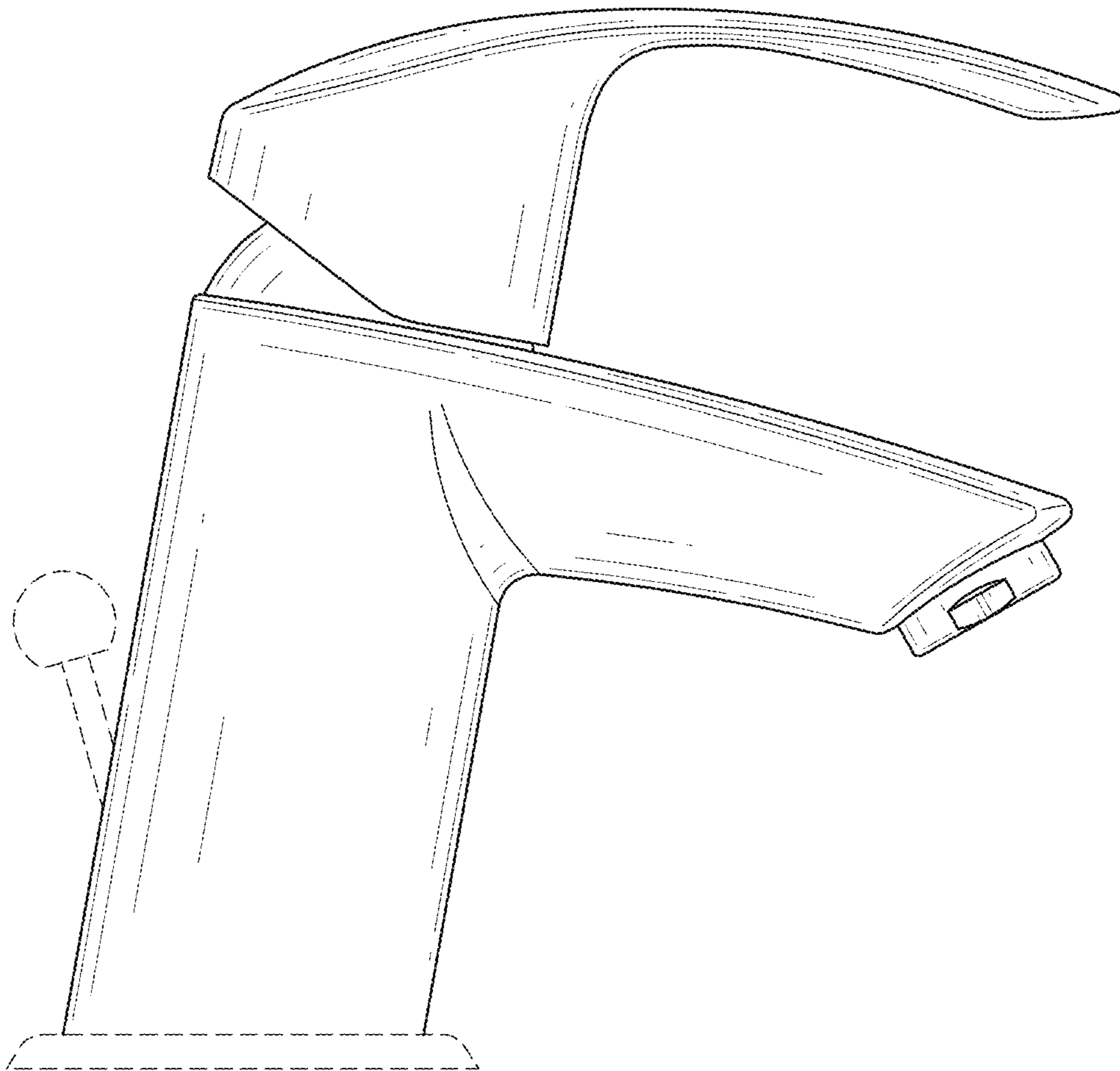


FIG.3

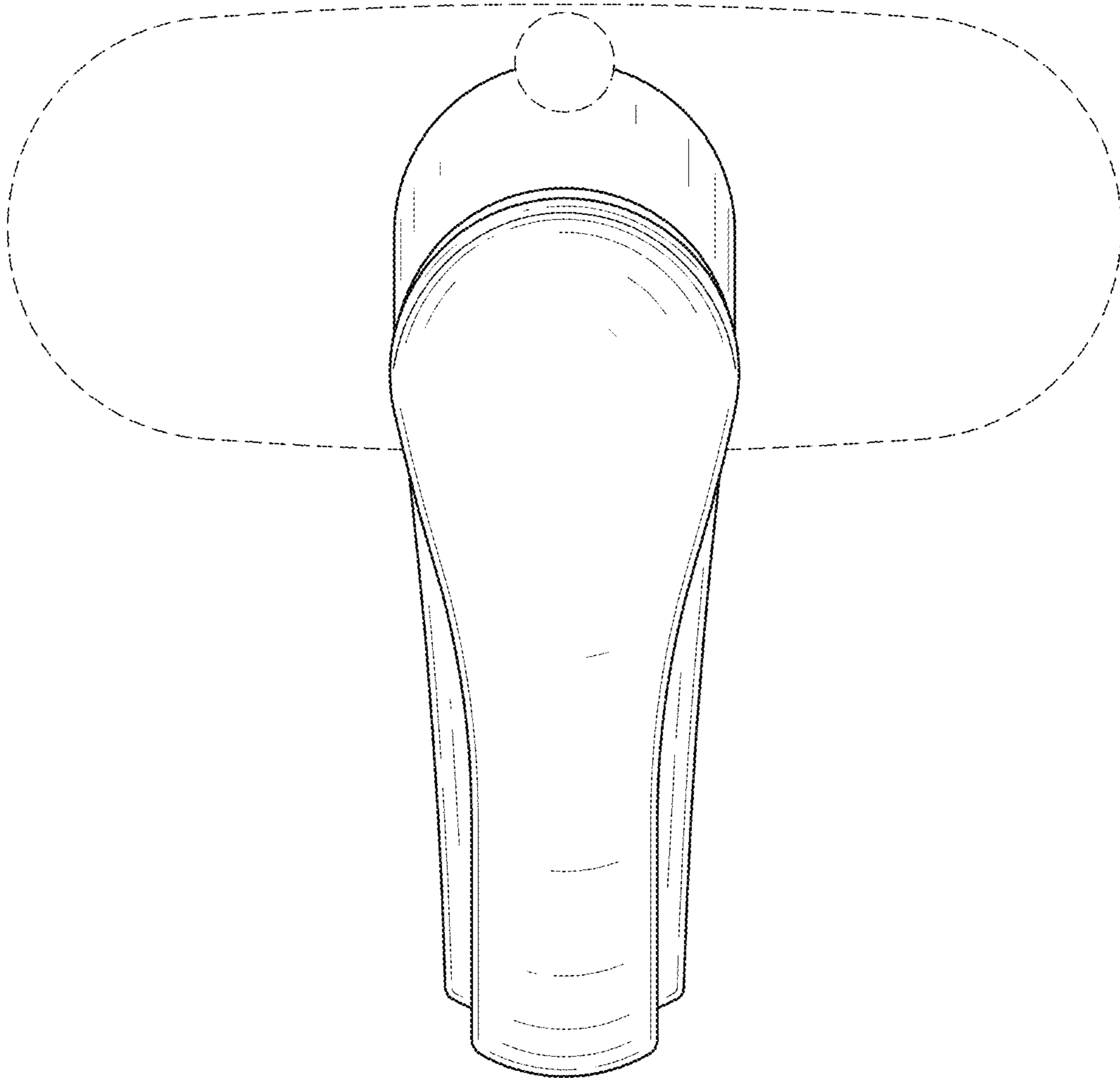


FIG. 4

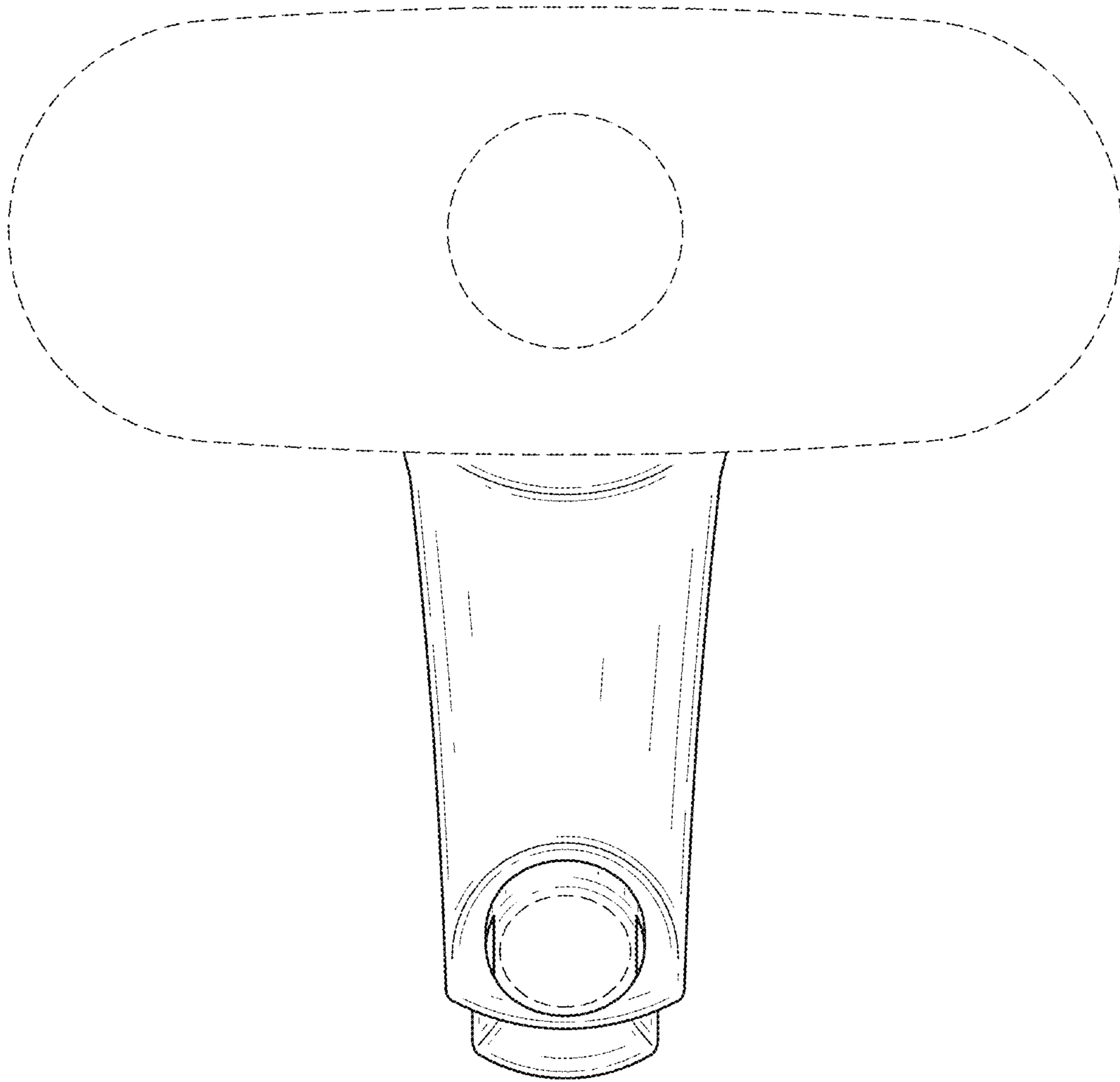


FIG. 5

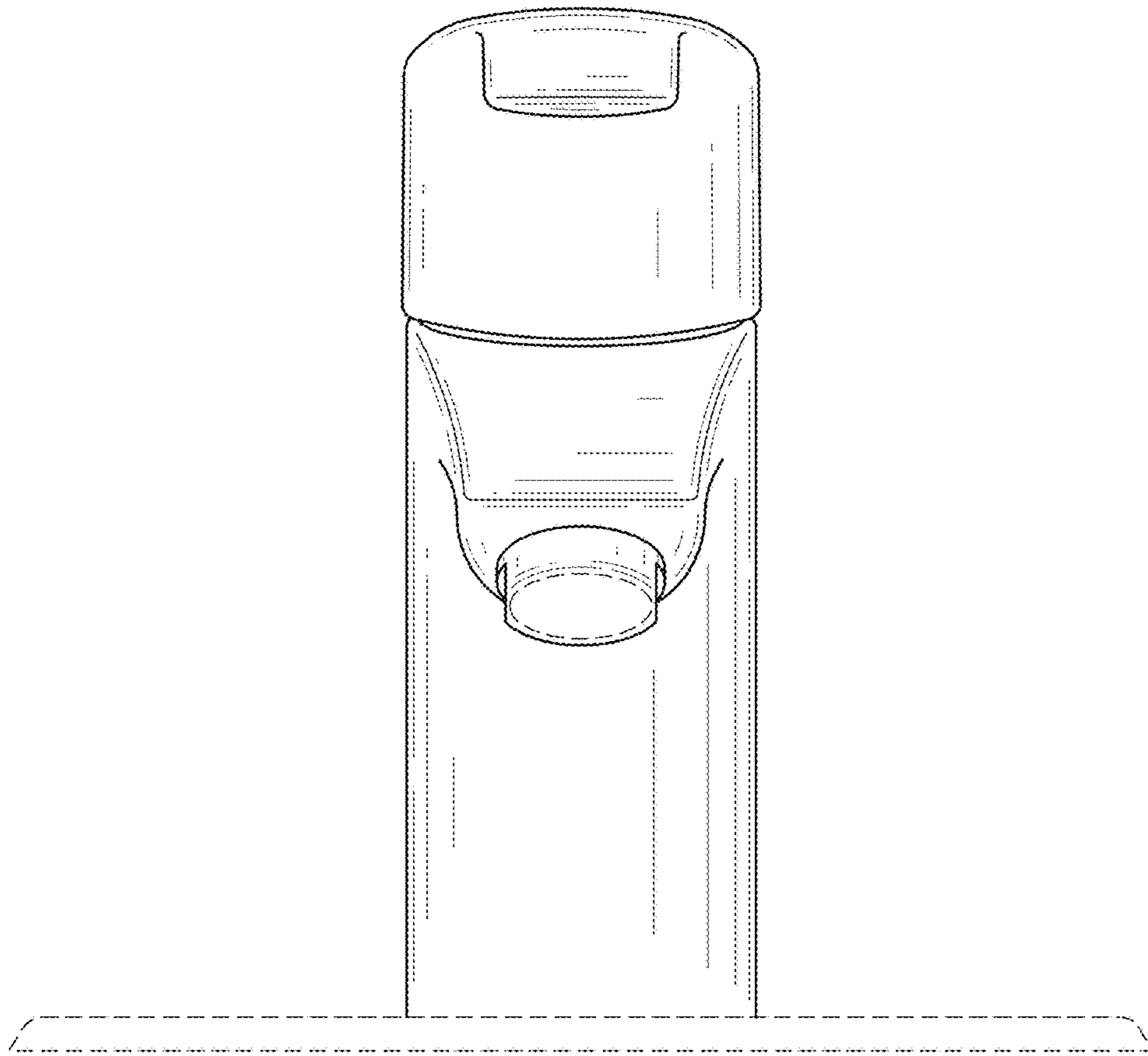


FIG.6

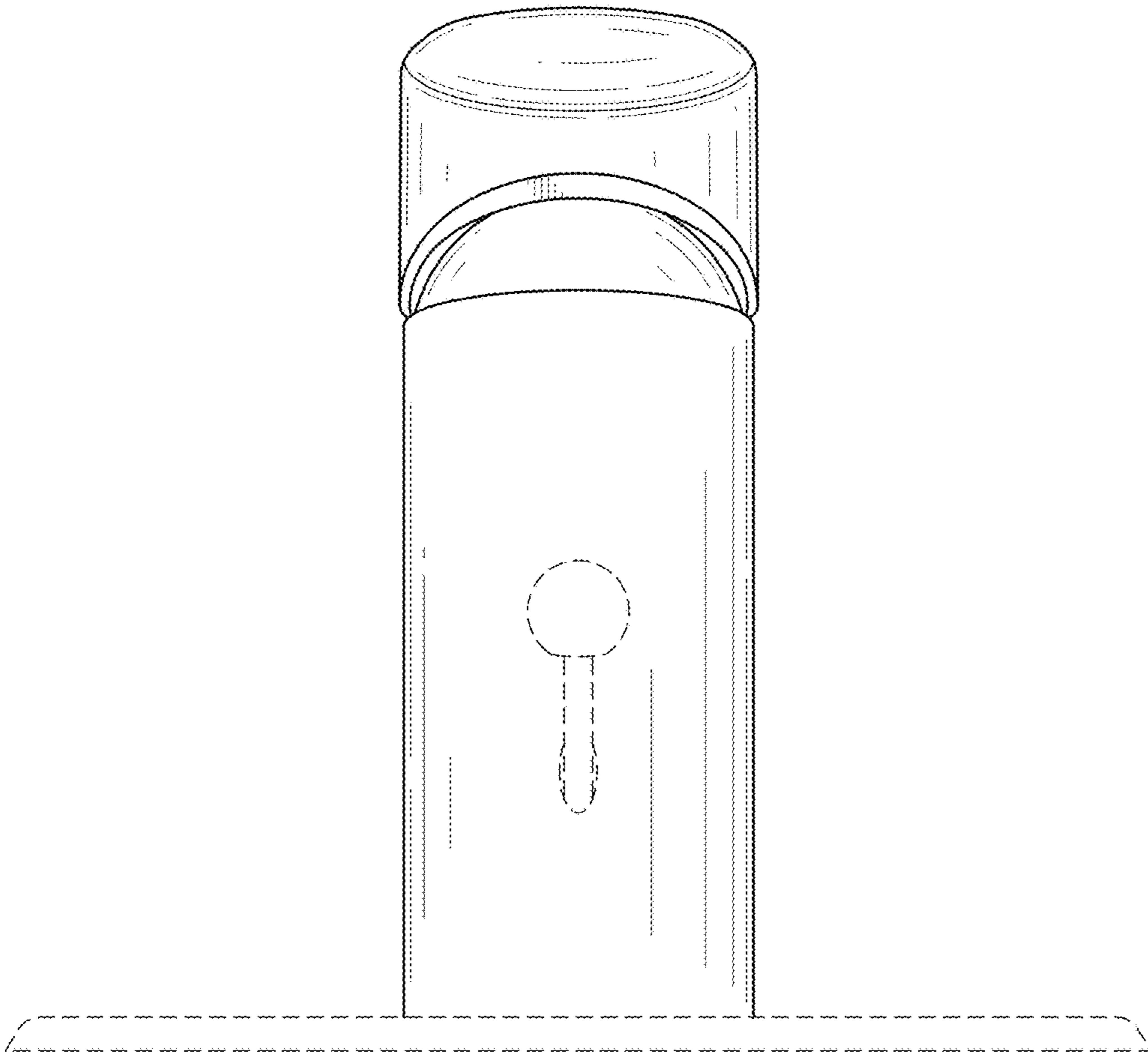


FIG.7