



US00D779043S

(12) **United States Design Patent** (10) **Patent No.:** **US D779,043 S**  
**Hanna et al.** (45) **Date of Patent:** **\*\* Feb. 14, 2017**

(54) **SHOWER FACEPLATE AND SHOWER DEVICE**

(71) Applicant: **Kohler Co.**, Kohler, WI (US)

(72) Inventors: **Kenneth Scott Hanna**, Bellingham, WA (US); **Gregory De Swarte**, Sheboygan, WI (US); **Leila Michelle Rubin**, Boone, NC (US); **Eugenio Duarte**, Sheboygan Falls, WI (US)

(73) Assignee: **Kohler Co.**, Kohler, WI (US)

(\*\*) Term: **15 Years**

(21) Appl. No.: **29/567,018**

(22) Filed: **Jun. 3, 2016**

**Related U.S. Application Data**

(62) Division of application No. 29/504,835, filed on Oct. 9, 2014, which is a division of application No. 29/450,306, filed on Mar. 15, 2013, now Pat. No. Des. 716,415.

(51) **LOC (10) Cl.** ..... **23-01**

(52) **U.S. Cl.**  
USPC ..... **D23/229**

(58) **Field of Classification Search**  
USPC ..... D23/213, 223, 226, 229, 230; 4/615; 239/526-7  
CPC .... B05B 1/18; B05B 1/00; B05B 9/01; E03C 1/06; A47K 3/28

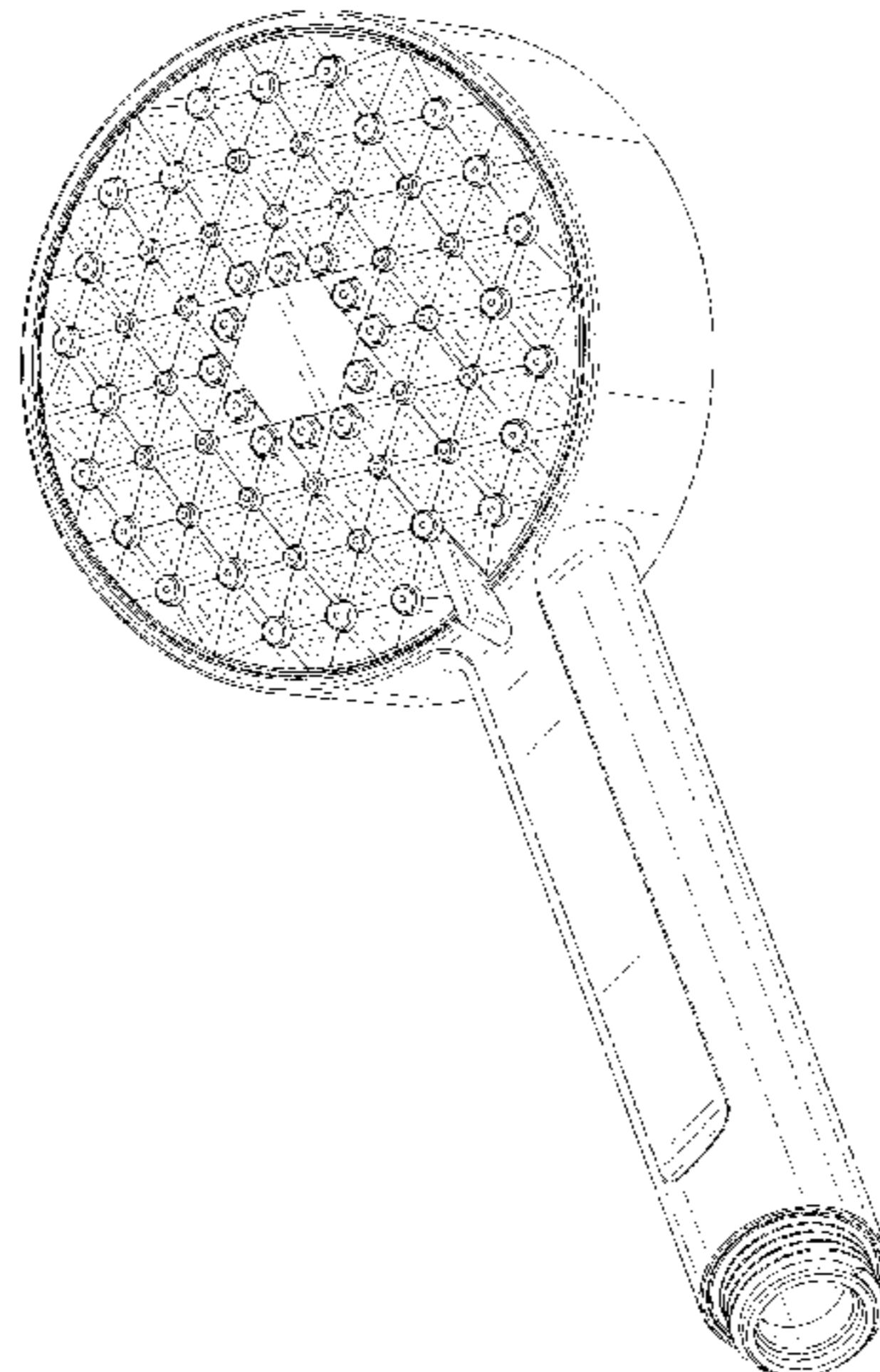
See application file for complete search history.

(56) **References Cited**

**U.S. PATENT DOCUMENTS**

3,088,675 A	5/1963	Bone
3,608,650 A	9/1971	Matsusaka
3,944,140 A	3/1976	Caton et al.
3,963,179 A	6/1976	Tomaro
4,272,022 A	6/1981	Evans
D267,581 S	1/1983	Mackay et al.
4,545,083 A	10/1985	Searson
4,561,593 A	12/1985	Cammack et al.

4,618,100 A	10/1986	White et al.
4,733,818 A	3/1988	Aghnides
4,733,819 A	3/1988	Aghnides
4,964,181 A	10/1990	Alpert
4,998,673 A	3/1991	Pilolla
5,215,258 A	6/1993	Jursich
5,228,625 A	7/1993	Grassberger
5,329,650 A	7/1994	Zaccai et al.
5,405,089 A	4/1995	Heimann et al.
5,518,181 A	5/1996	Shames et al.
5,535,779 A	7/1996	Huang
5,664,015 A	9/1997	Ford et al.
5,702,057 A	12/1997	Huber
5,730,362 A	3/1998	Cordes
5,779,146 A	7/1998	Cutler
5,862,985 A	1/1999	Neibrook et al.
6,021,960 A	2/2000	Kehat
D423,083 S	4/2000	Haug et al.
D424,160 S	5/2000	Haug et al.
D424,161 S	5/2000	Haug et al.
D424,162 S	5/2000	Haug et al.
D424,163 S	5/2000	Haug et al.
D424,164 S	5/2000	Haug et al.
6,061,457 A	5/2000	Stockhamer
D428,110 S	7/2000	Haug et al.
6,090,210 A	7/2000	Balance et al.
6,126,290 A	10/2000	Veigel
D439,305 S	3/2001	Slothower
D440,277 S	4/2001	Slothower
D440,278 S	4/2001	Slothower
D443,027 S	5/2001	Kollmann et al.
D443,029 S	5/2001	Kollmann et al.
6,263,524 B1	7/2001	Abdul
D457,598 S	5/2002	Storti et al.
6,439,472 B1	8/2002	Lin et al.
6,444,039 B1	9/2002	Nguyen
6,463,658 B1	10/2002	Larsson
D465,263 S	11/2002	Tse
D465,551 S	11/2002	Tse
D466,188 S	11/2002	Tse
D489,793 S	5/2004	Haug et al.
D492,004 S	6/2004	Haug et al.
D492,006 S	6/2004	Haug et al.
D492,008 S	6/2004	Haug et al.
D495,776 S	9/2004	Blomstrom
D497,974 S	11/2004	Haug et al.
D498,514 S	11/2004	Haug et al.
6,879,818 B2	4/2005	Wageneck
D506,924 S	7/2005	Berner
D509,424 S	9/2005	Berner
D511,809 S	11/2005	Haug et al.
D513,525 S	1/2006	Haug et al.
6,983,898 B2	1/2006	Clark



D518,145 S *	3/2006	Nikles .....	D23/223
7,048,210 B2	5/2006	Clark	
D527,072 S *	8/2006	Wu .....	D23/223
7,100,845 B1	9/2006	Hsieh	
7,111,798 B2	9/2006	Thomas et al.	
7,178,746 B2	2/2007	Gross	
D551,737 S	9/2007	Haug et al.	
7,269,862 B2	9/2007	Rooke et al.	
D557,763 S	12/2007	Schönherr et al.	
D557,764 S	12/2007	Schönherr et al.	
D557,765 S	12/2007	Schönherr et al.	
D562,937 S	2/2008	Schönherr et al.	
D562,938 S	2/2008	Blessing	
D564,067 S	3/2008	Lammel et al.	
D576,251 S	9/2008	Schoenherr et al.	
D590,477 S	4/2009	Schoenherr et al.	
D590,916 S	4/2009	Schoenherr et al.	
D590,917 S	4/2009	Schoenherr et al.	
D592,276 S	5/2009	Schoenherr et al.	
7,578,453 B1	8/2009	Wilson	
D610,230 S	2/2010	Wu et al.	
D610,231 S	2/2010	Wu et al.	
D610,651 S	2/2010	Wu et al.	
7,740,186 B2	6/2010	Macan et al.	
7,762,479 B2	7/2010	Li	
D630,706 S	1/2011	Giggs et al.	
7,918,408 B2	4/2011	Tshieh	
D638,100 S	5/2011	Juan	
7,946,512 B2	5/2011	Schorn	
8,028,935 B2	10/2011	Leber	
8,048,010 B2	11/2011	Ohashi et al.	
D655,383 S *	3/2012	Flowers .....	D23/223
D659,797 S *	5/2012	Farley .....	D23/223
D667,928 S *	9/2012	Cutler .....	D23/223
D669,157 S	10/2012	Flowers et al.	
D670,358 S	11/2012	Bai	
D672,011 S	12/2012	Andrew et al.	
D672,433 S	12/2012	Yoo et al.	
D680,619 S	4/2013	Zhadanov	
D681,776 S	5/2013	Cutler et al.	
D692,527 S	10/2013	Hanna et al.	
D694,361 S *	11/2013	Schoenherr .....	D23/223
D707,329 S	6/2014	Hanna et al.	
D714,421 S *	9/2014	Flowers .....	D23/223
D719,240 S	12/2014	Hanna et al.	
D737,931 S *	9/2015	Schoenherr .....	D23/223
2003/0029936 A1	2/2003	Clark	
2004/0164184 A1	8/2004	Glunk	
2004/0217209 A1	11/2004	Bui	
2004/0250851 A1	12/2004	Clark	
2004/0251323 A1	12/2004	Clark	
2004/0252422 A1	12/2004	Talbot et al.	
2005/0156062 A1	7/2005	Thomas et al.	
2006/0175437 A1	8/2006	Gross	
2007/0246577 A1	10/2007	Leber	
2008/0011880 A1	1/2008	Butzke et al.	
2008/0225517 A1	9/2008	Clark	
2009/0114743 A1	5/2009	Thomas et al.	
2010/0037389 A1	2/2010	Gross	
2010/0065665 A1	3/2010	Whitaker et al.	
2010/0167551 A1	7/2010	DeDontney	
2011/0031331 A1	2/2011	Klicpera	
2011/0073678 A1	3/2011	Qiu et al.	
2011/0139905 A1	6/2011	Chen et al.	
2012/0104114 A1	5/2012	Zhou et al.	
2013/0126646 A1	5/2013	Wu	
2013/0232684 A1	9/2013	Schumacher et al.	

FOREIGN PATENT DOCUMENTS

CN	1761528	4/2006
CN	202045027	11/2011
CN	203408809	1/2014
DE	10108248	8/2002
EP	0348359	12/1989
EP	0435030	7/1991
EP	1479445	1/2004

EP	2638972	9/2013
GB	2337471	11/1999
WO	WO 9718041	5/1997

OTHER PUBLICATIONS

Shower head photos, known at least as early as Mar. 12, 2012.  
 EP13158845.1 Extended European Search Report dated May 24, 2013 (7 pages).  
 Co-pending U.S. Appl. No. 29/450,323, filed Mar. 16, 2013.  
 Co-pending U.S. Appl. No. 29/450,310, filed Mar. 15, 2013.  
 Co-pending U.S. Appl. No. 29/450,306, filed Mar. 15, 2013.  
 Co-pending U.S. Appl. No. 29/457,990, filed Jun. 14, 2013.  
 United States Patent Office Notice of Allowance for U.S. Appl. No. 29/415,587, dated Jun. 7, 2013 (7 pages).  
 United States Patent Office Supplemental Notice of Allowance for U.S. Appl. No. 29/457,990 dated Sep. 24, 2013 (7 pages).  
 Co-pending U.S. Appl. No. 13/790,621, filed Mar. 8, 2013.  
 Co-pending U.S. Appl. No. 29/467,020, filed Sep. 13, 2013.  
 United States Patent Office Notice of Allowance for U.S. Appl. No. 29/470,413, dated Jan. 31, 2014 (16 pages).  
 European Patent Office Search Report for Application No. 13193218.8 dated Apr. 17, 2014 (7 pages).  
 United States Patent Office Notice of Allowance for U.S. Appl. No. 29/450,323 dated Jun. 26, 2014 (8 pages).  
 United States Patent Office Notice of Allowance for U.S. Appl. No. 29/450,310 dated Jun. 25, 2014 (8 pages).  
 United States Patent Office Notice of Allowance for U.S. Appl. No. 29/450,306 dated Jun. 26, 2014 (8 pages).  
 United States Patent Office Notice of Allowance for U.S. Appl. No. 29/465,138 dated Aug. 5, 2014 (8 pages).  
 VS-3014 Caspian Showerhead, downloaded Jun. 27, 2014 <http://www.speakmancompany.com/products/detail/VS-3014> (1 page).  
 Grohe Power & Soul, 2013 (5 pages).  
 Australian Patent Office Examination Report for Application No. 2013201441 dated Sep. 17, 2014 (5 pages).  
 Extended European Search Report for Application No. 13193218.8 dated Aug. 27, 2014 (14 pages).  
 Co-pending U.S. Appl. No. 29/465,138, filed Aug. 23, 2013.  
 Co-pending U.S. Appl. No. 14/080,432, filed Nov. 14, 2013.  
 Examination Report from the Canadian Intellectual Property Office for Application No. 2,808,941 dated Mar. 11, 2015 (5 pages).  
 Office Action from the United States Patent and Trademark Office for U.S. Appl. No. 14/080,432 dated Apr. 30, 2015 (40 pages).  
 1st Office Action from The State Intellectual Property Office of the People's Republic of China for Application No. 201310077786.2 dated Jun. 3, 2015 (7 pages).  
 Office Action from the United States Patent and Trademark Office for U.S. Appl. No. 13/790,621 dated Jul. 2, 2015 (43 pages).  
 Final Office Action from the United States Patent and Trademark Office for U.S. Appl. No. 13/790,621 dated Jan. 20, 2016 (13 pages).  
 Second Office Action from the State Intellectual Property Office of the People's Republic of China for Application No. 201310077786.2 dated Jan. 21, 2016 (10 pages).  
 Office Action from the United States Patent and Trademark Office for U.S. Appl. No. 14/080,432 dated Jun. 10, 2016 (10 pages).  
 Notice of Allowance from the United States Patent and Trademark Office for U.S. Appl. No. 29/567,006 dated Oct. 1, 2016 (6 pages).  
 Notice of Allowance from the United States Patent and Trademark Office for U.S. Appl. No. 29/566,805 dated Oct. 3, 2016 (8 pages).  
 Notice of Allowance from the United States Patent and Trademark Office for U.S. Appl. No. 29/567,003 dated Oct. 3, 2016 (8 pages).

\* cited by examiner

Primary Examiner — Robin V Webster  
 (74) Attorney, Agent, or Firm — Michael Best & Friedrich LLP

(57) CLAIM

We claim the ornamental design for a shower faceplate and shower device, as shown and described.

DESCRIPTION

FIG. 1 is a front perspective view of a shower device, such as a hand shower.

FIG. 2 is a rear perspective view of the shower device shown in FIG. 1.

FIG. 3 is a front view of the shower device shown in FIG. 1.

FIG. 4 is a rear view of the shower device shown in FIG. 1.

FIG. 5 is a right side view of the shower device shown in FIG. 1, the left side view being substantially a mirror image thereof.

FIG. 6 is a top view of the shower device shown in FIG. 1.

FIG. 7 is a bottom view of the shower device shown in FIG. 1.

FIG. 8 is a front perspective cross-sectional view of the shower device shown in FIG. 1 to illustrate contours of the shower device.

FIG. 9 is a front perspective view of a shower device, such as a hand shower.

FIG. 10 is a rear perspective view of the shower device shown in FIG. 9.

FIG. 11 is a front view of the shower device shown in FIG. 9.

FIG. 12 is a rear view of the shower device shown in FIG. 9.

FIG. 13 is a right side view of the shower device shown in FIG. 9, the left side view being substantially a mirror image thereof.

FIG. 14 is a top view of the shower device shown in FIG. 9.

FIG. 15 is a bottom view of the shower device shown in FIG. 9; and,

FIG. 16 is a front perspective cross-sectional view of the shower device shown in FIG. 9 to illustrate contours of the shower device.

One or more side and/or bottom views of a shower device are mirror images of another view and, therefore, have been omitted.

Any broken line showing of the environment is for illustrative purposes only and forms no part of the claimed design.

**1 Claim, 14 Drawing Sheets**

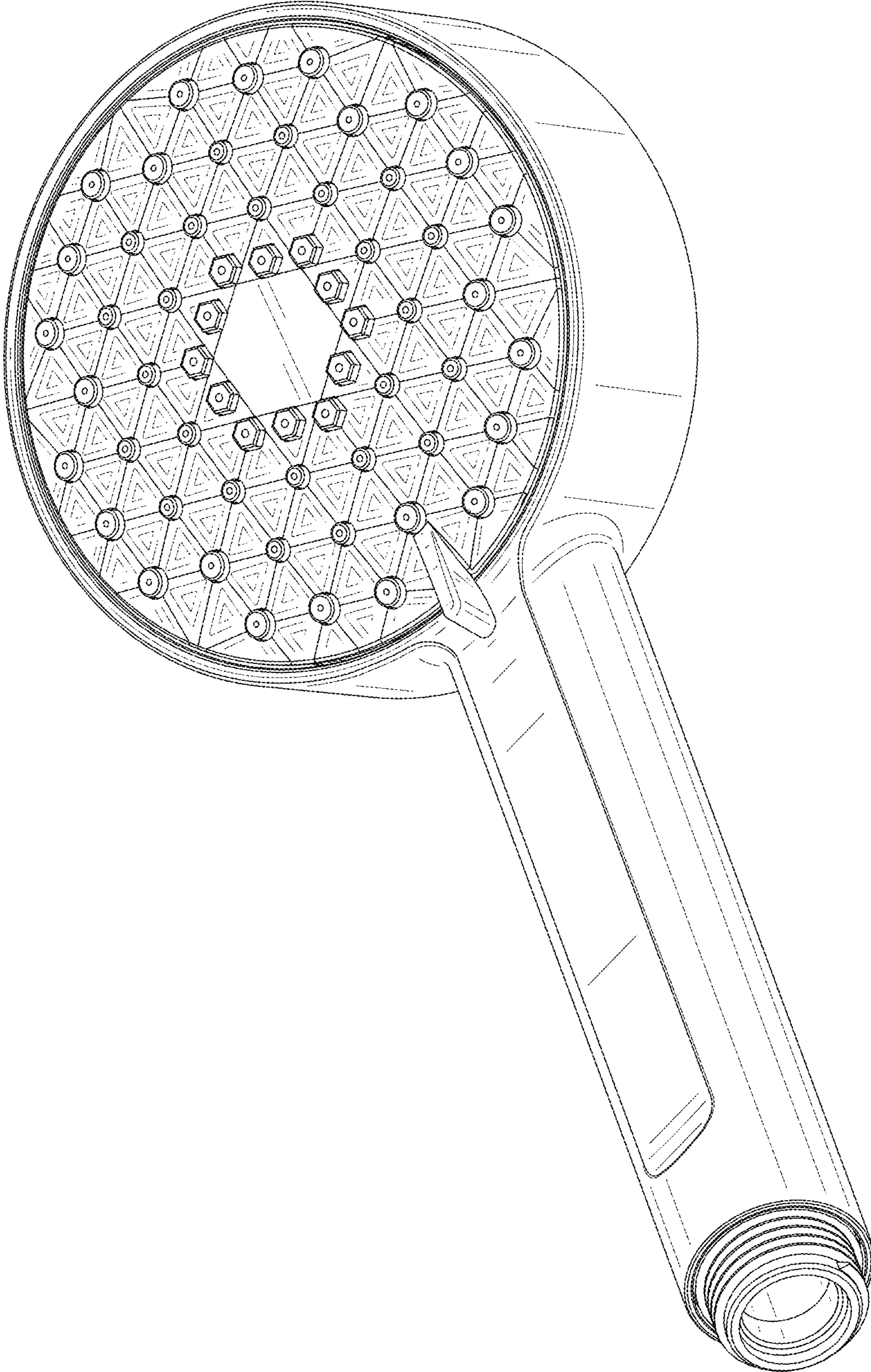


FIG. 1

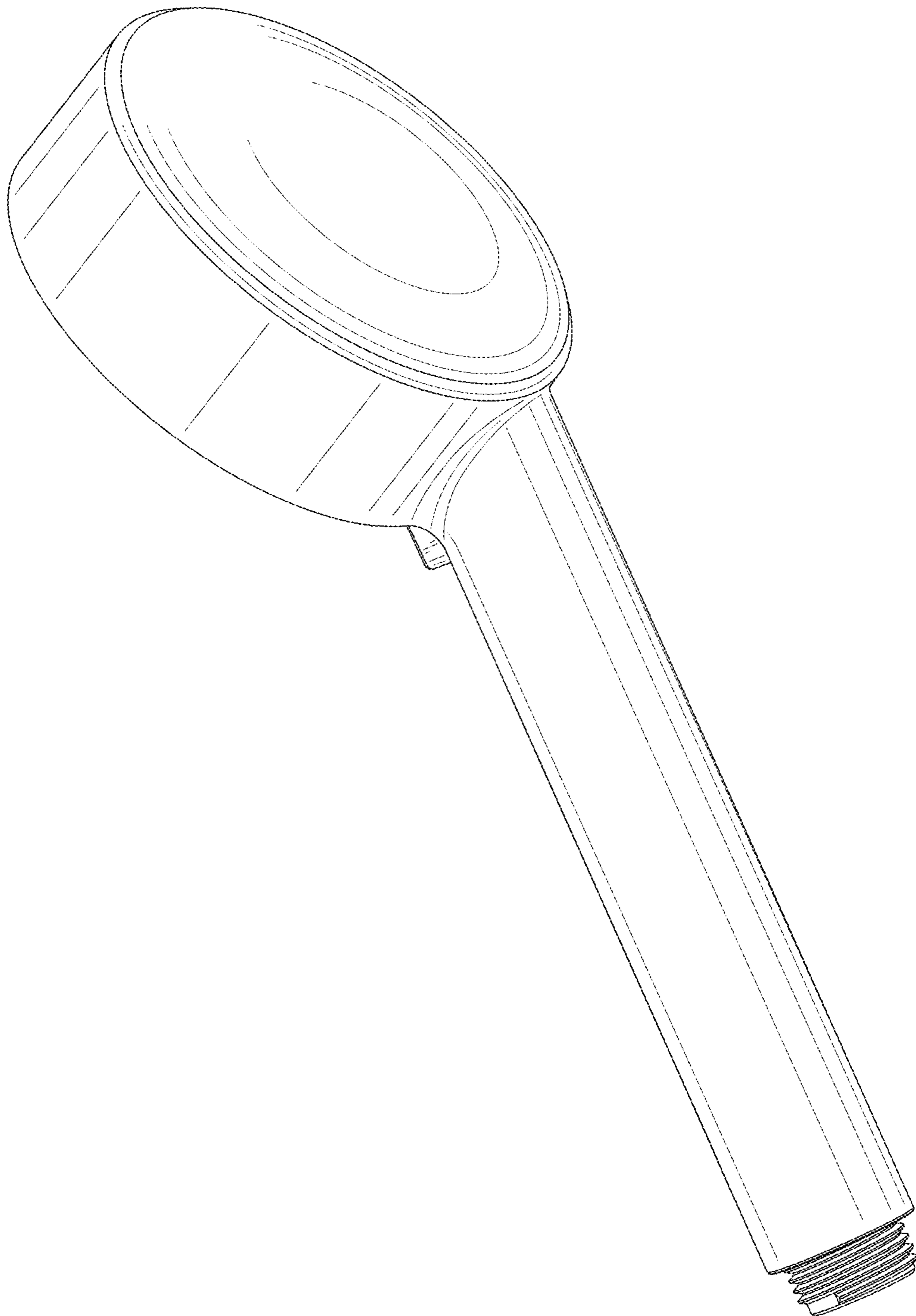


FIG. 2

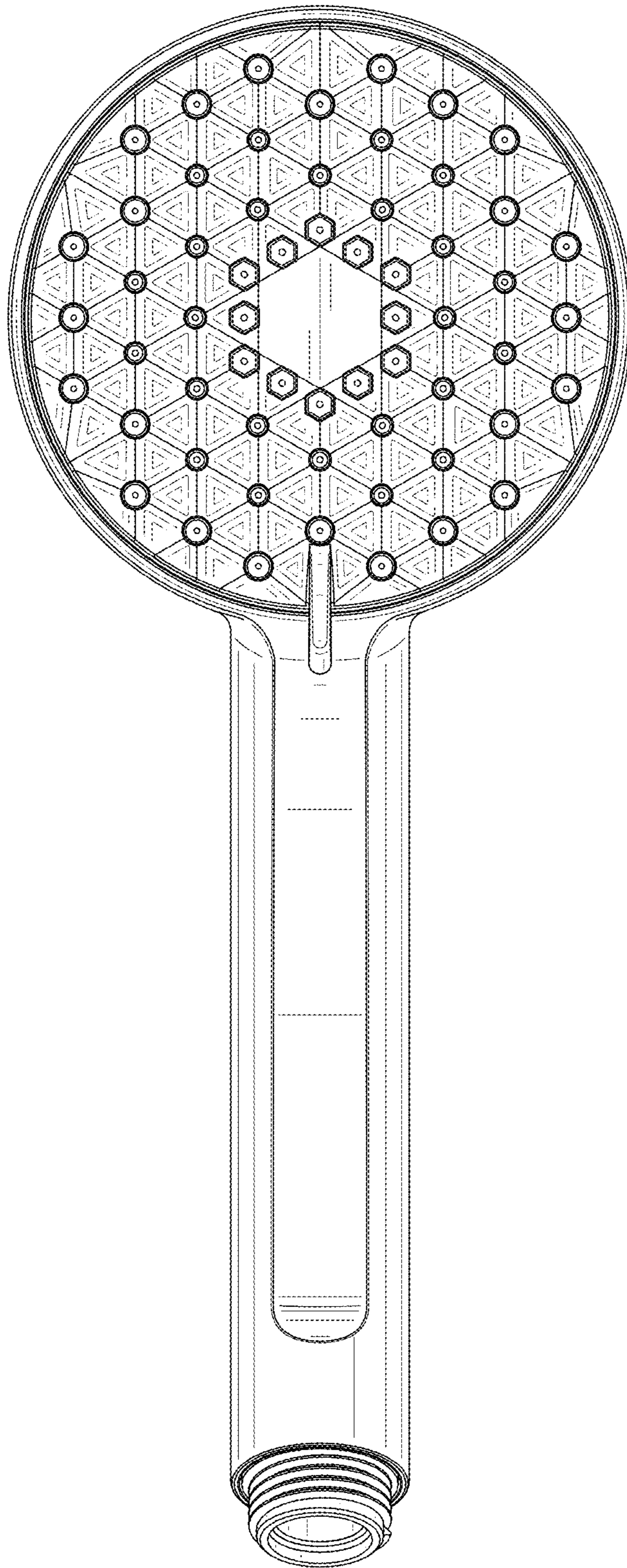


FIG. 3

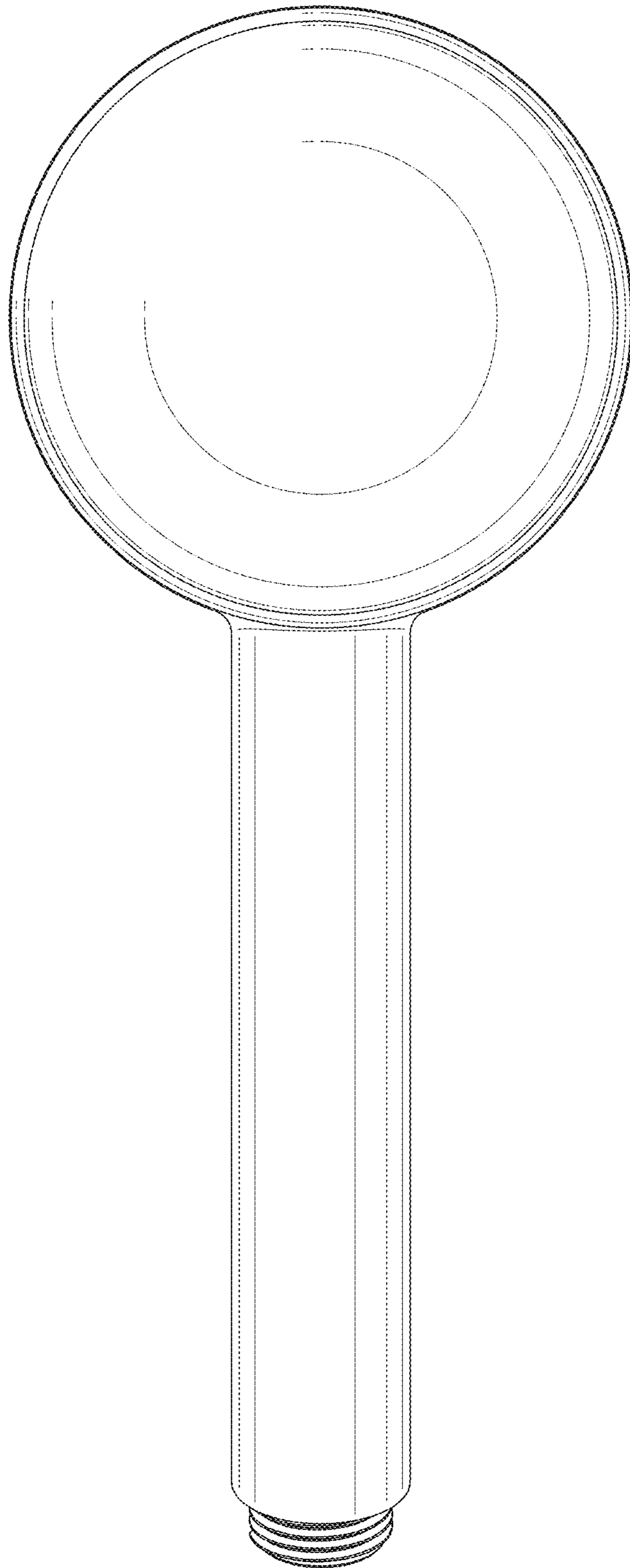


FIG. 4

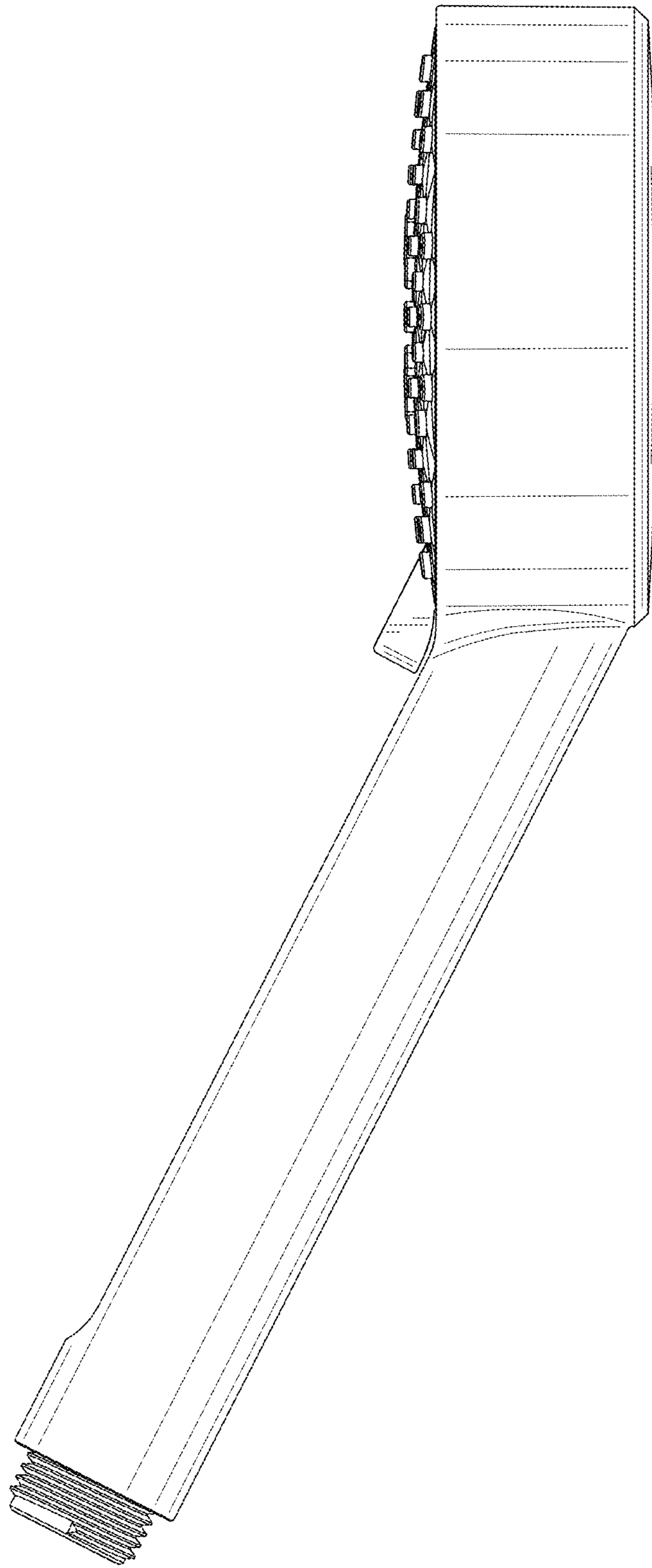


FIG. 5



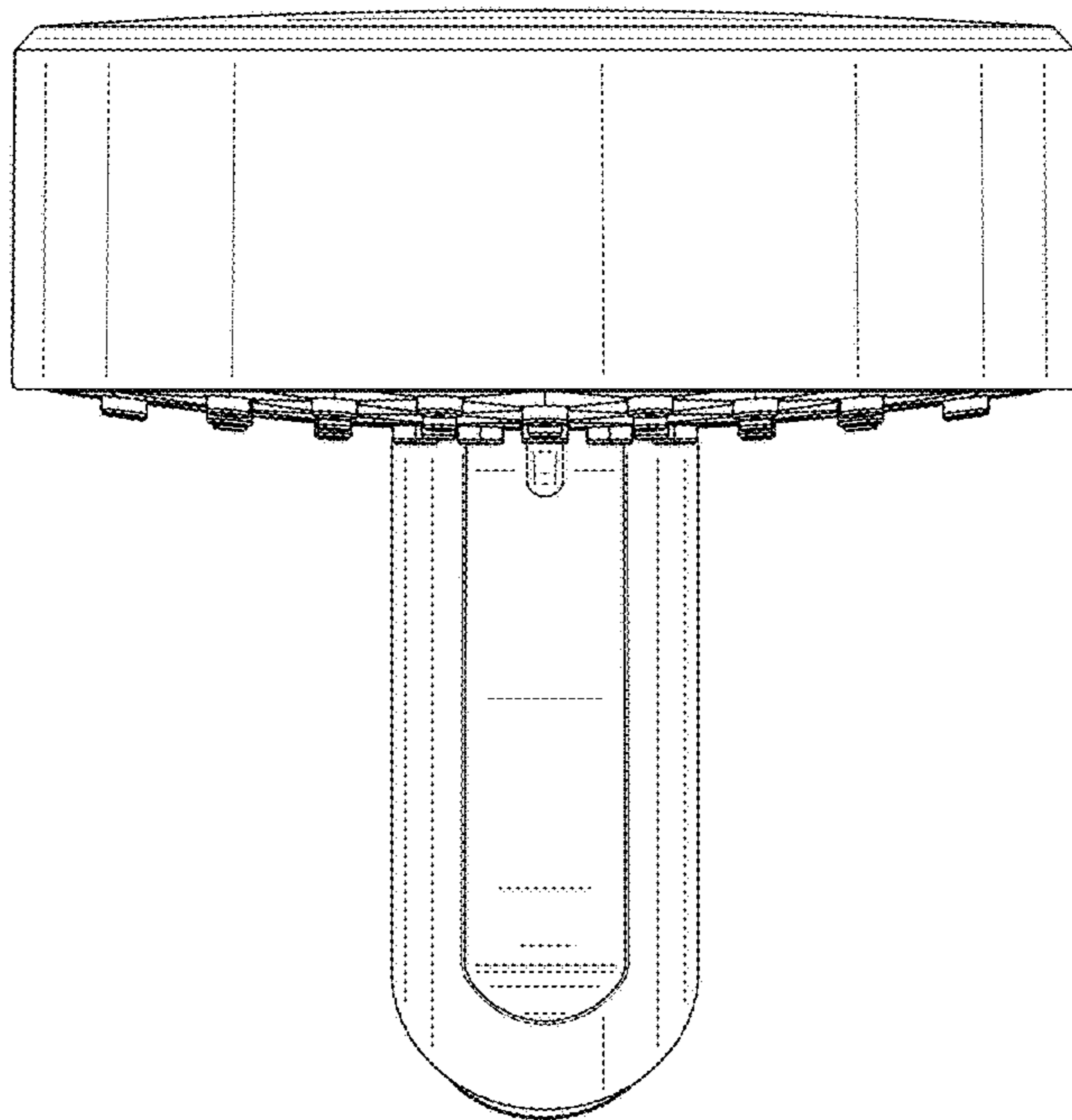


FIG. 6

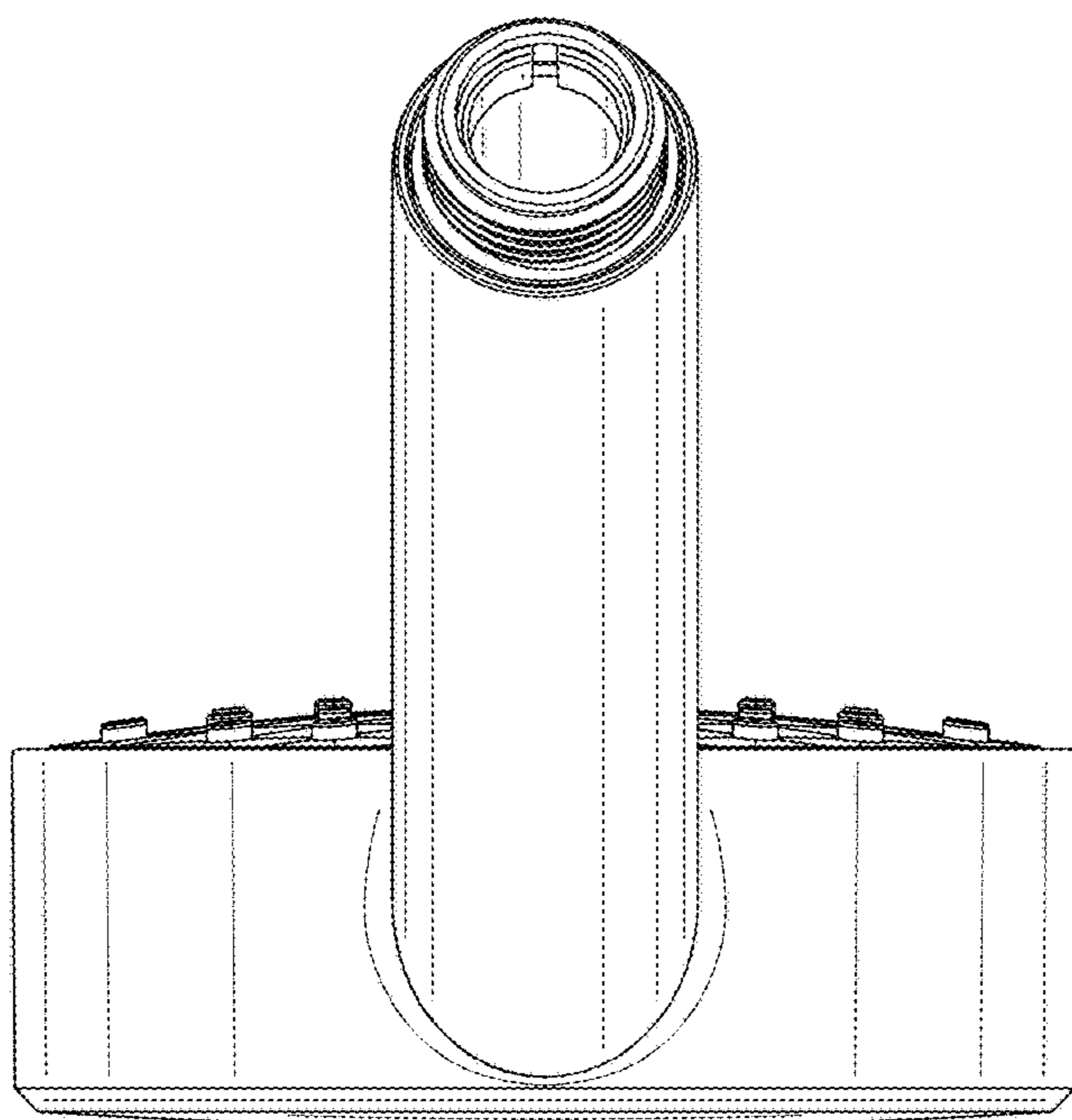


FIG. 7

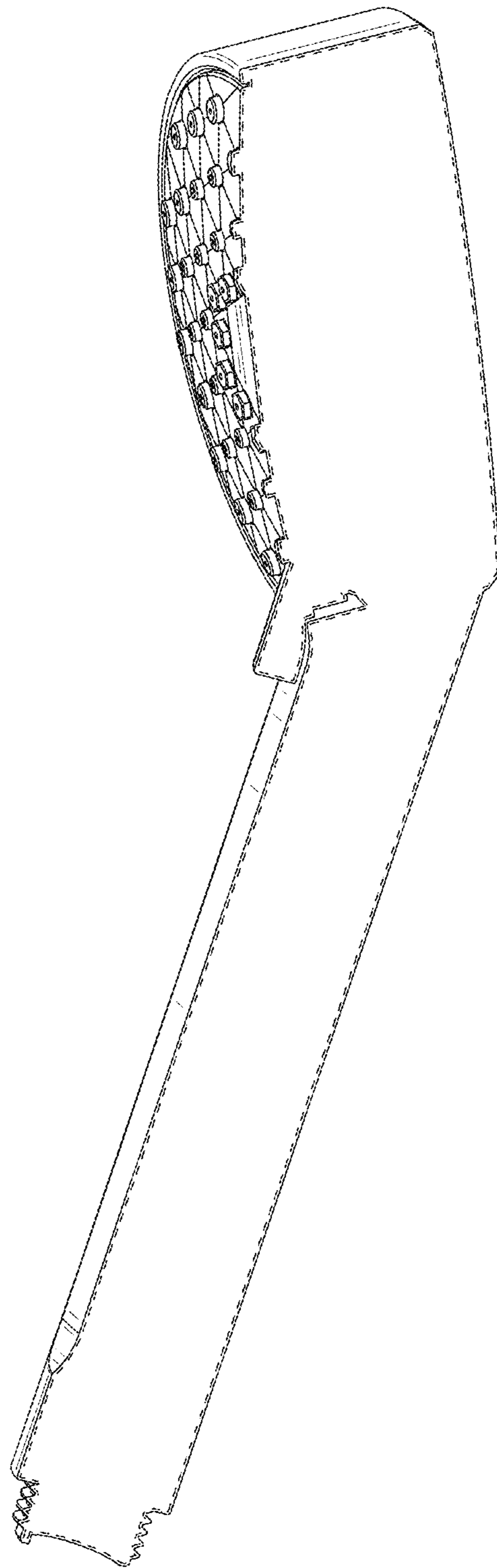


FIG. 8

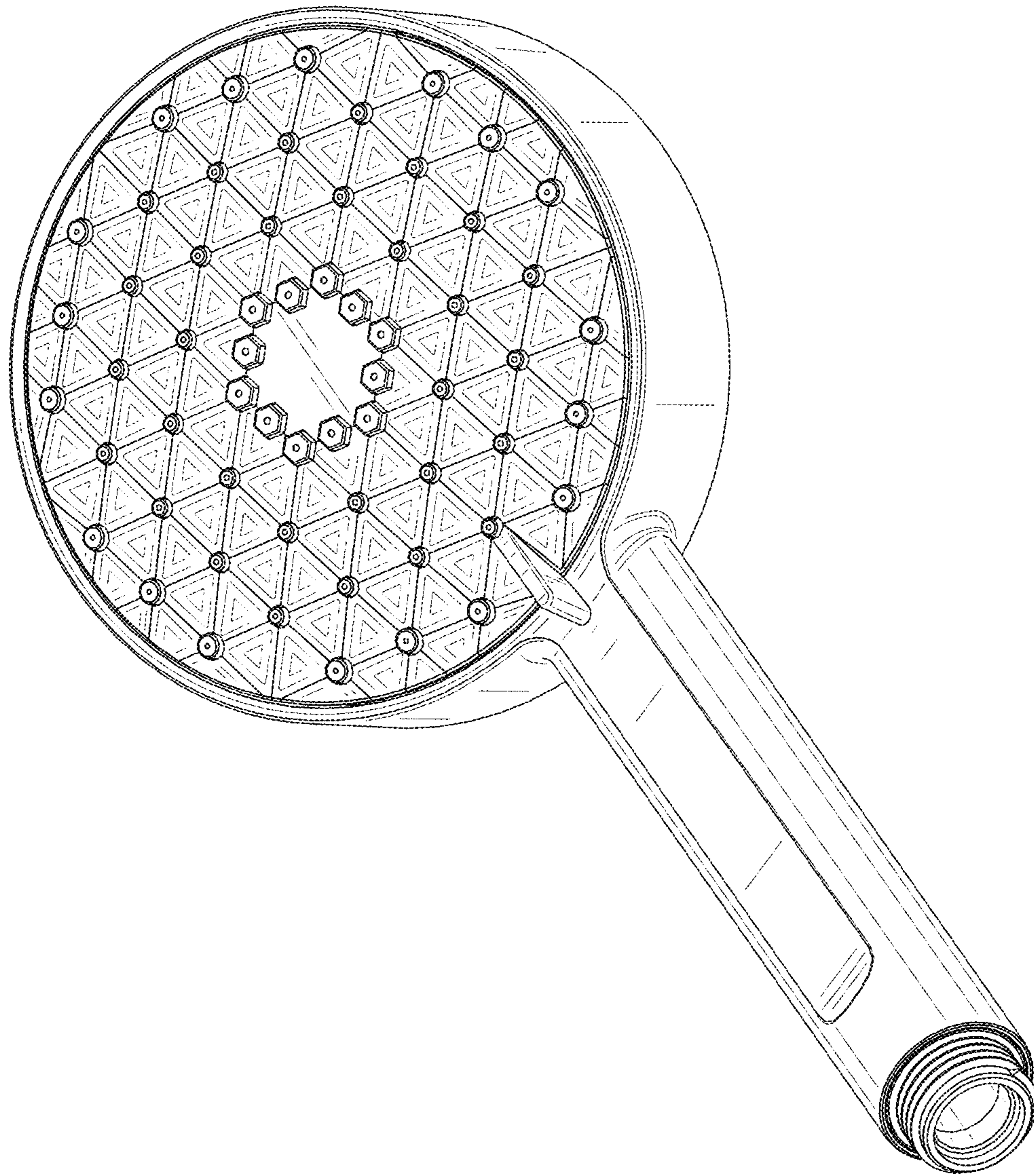


FIG. 9

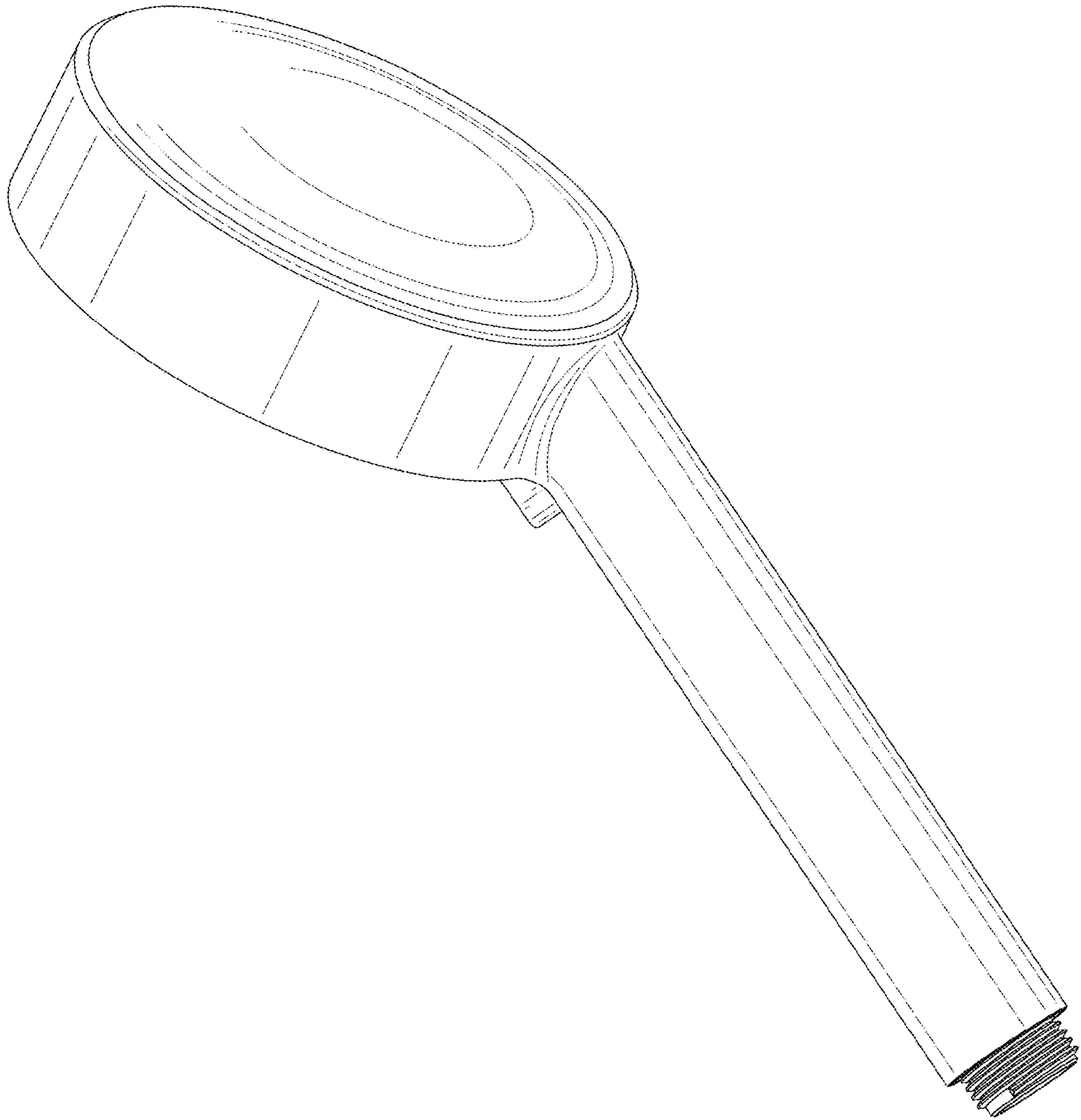


FIG. 10

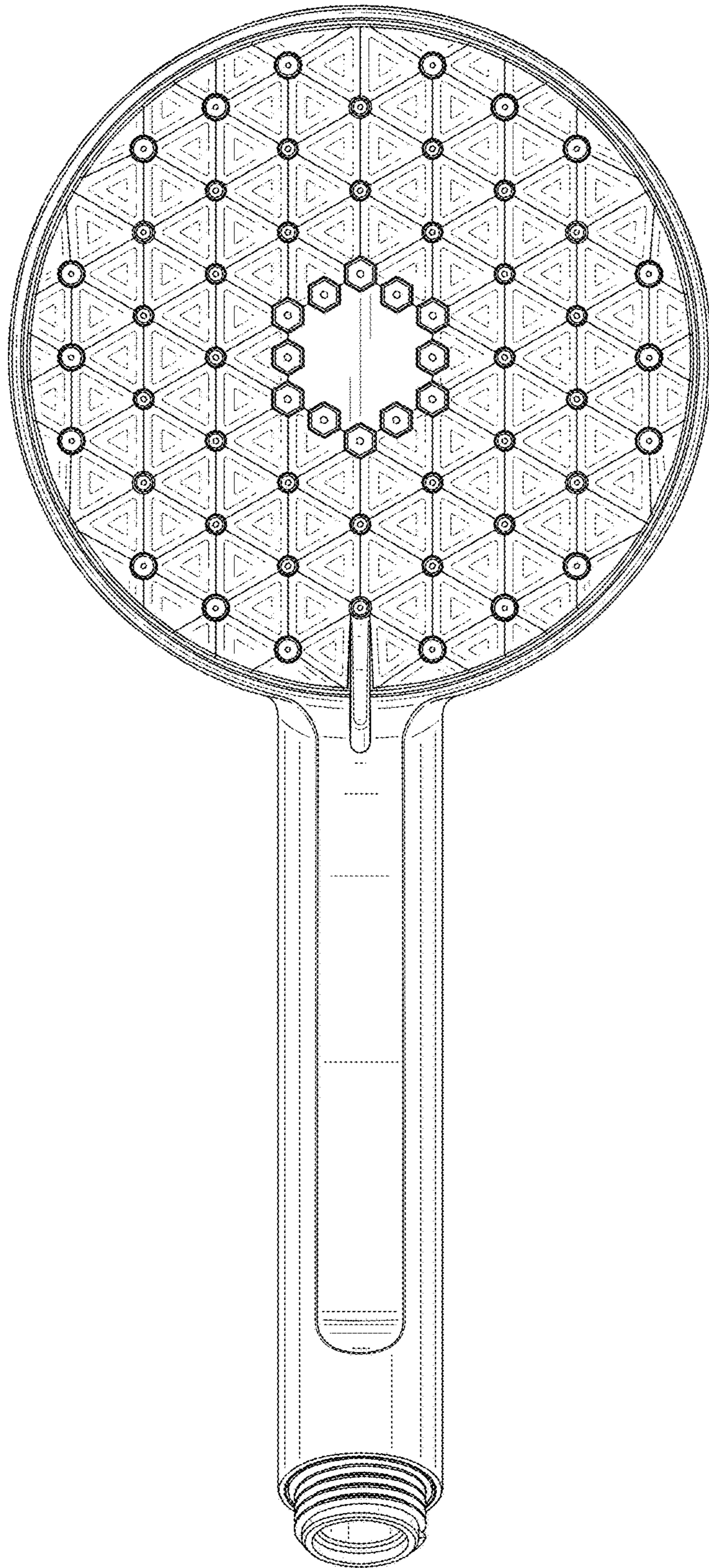


FIG. 11

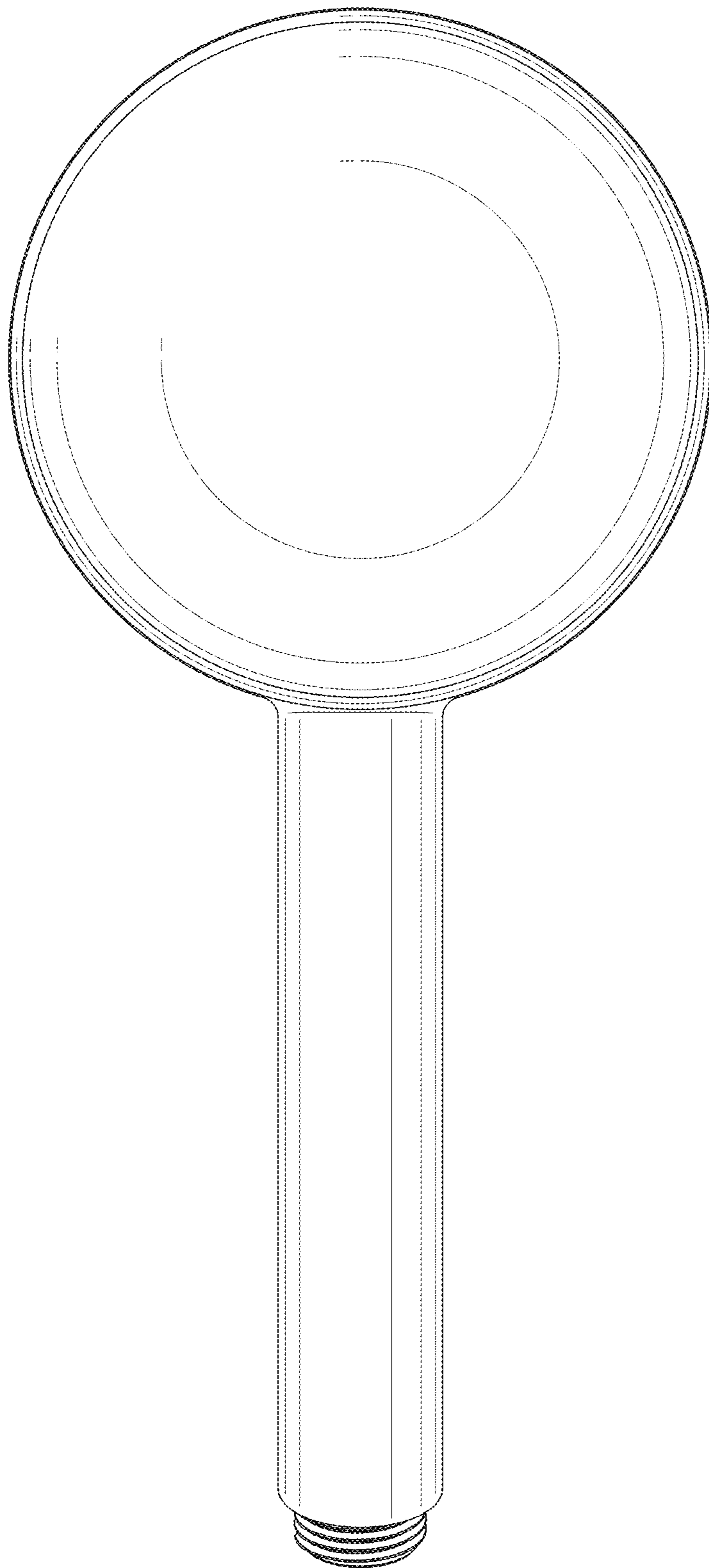


FIG. 12

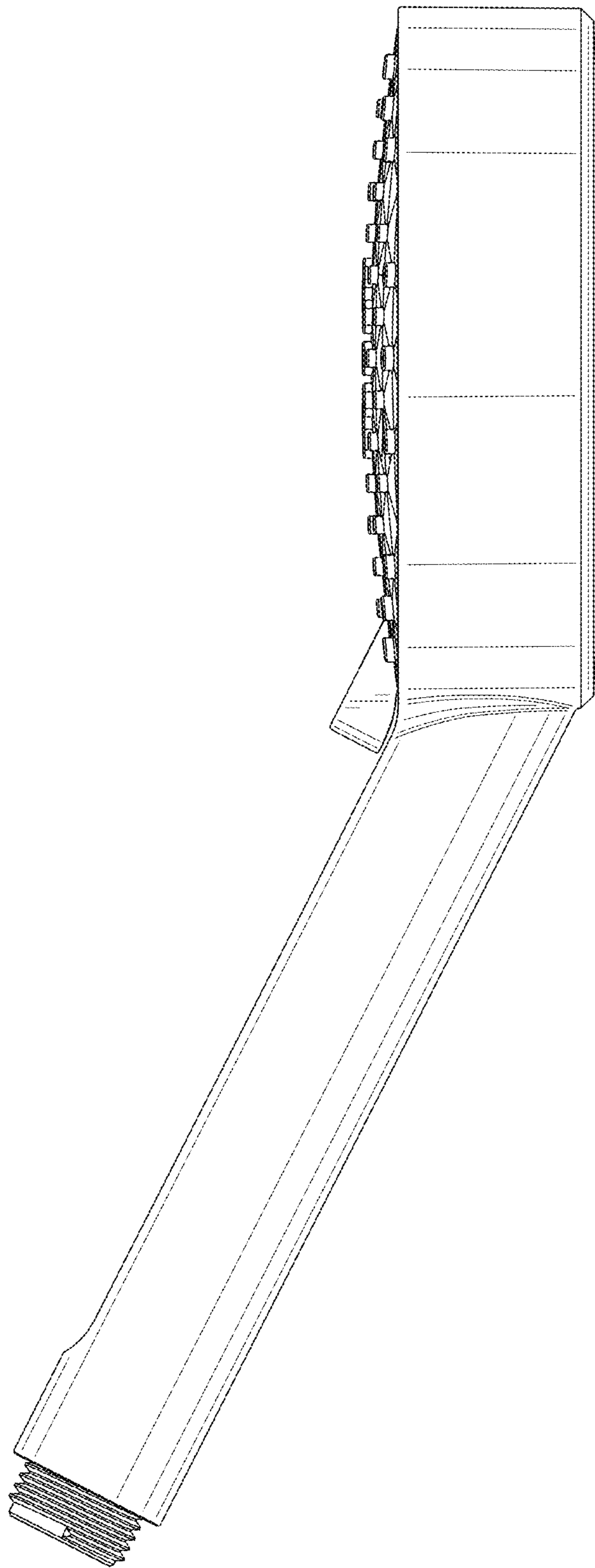


FIG. 13

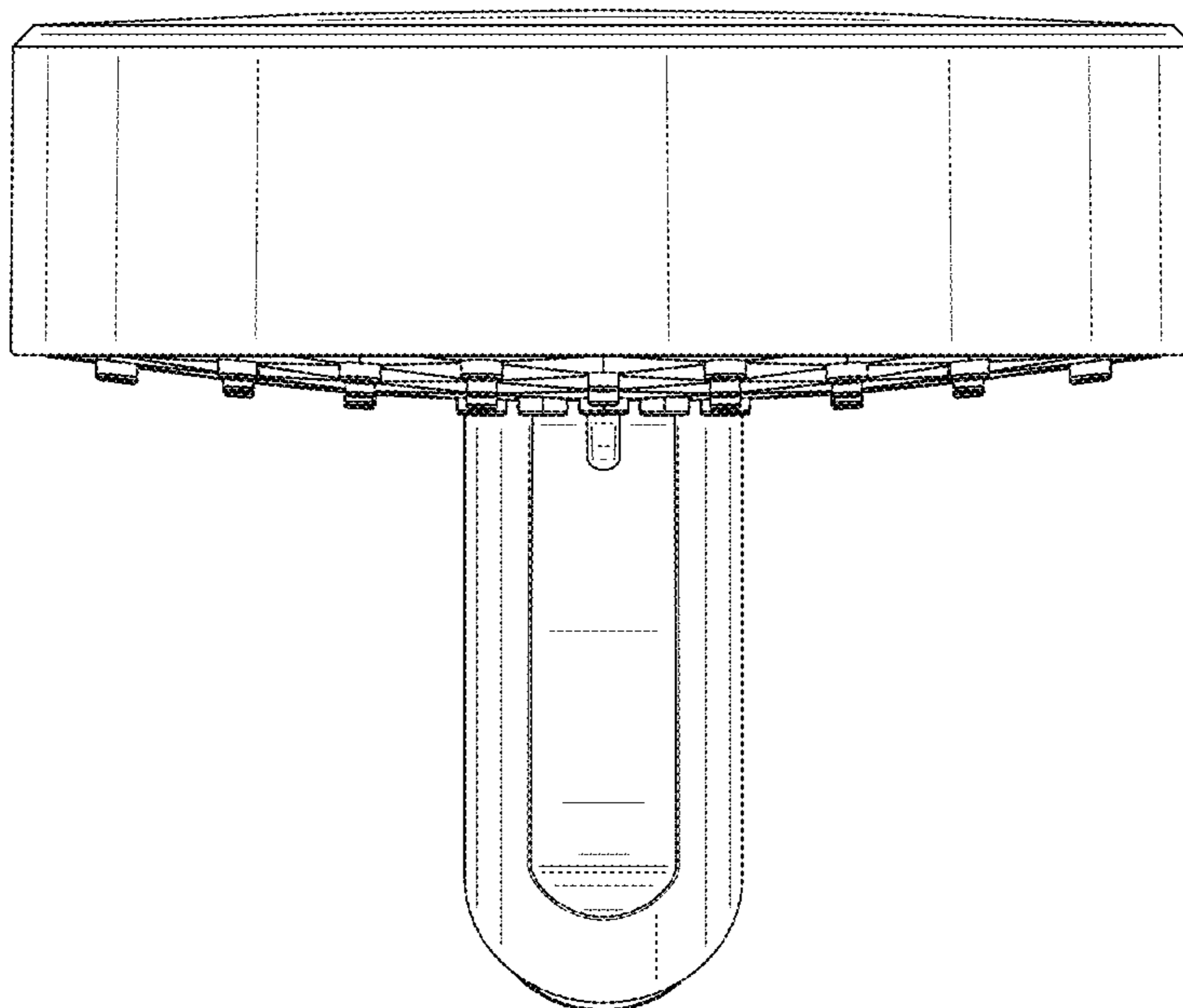


FIG. 14

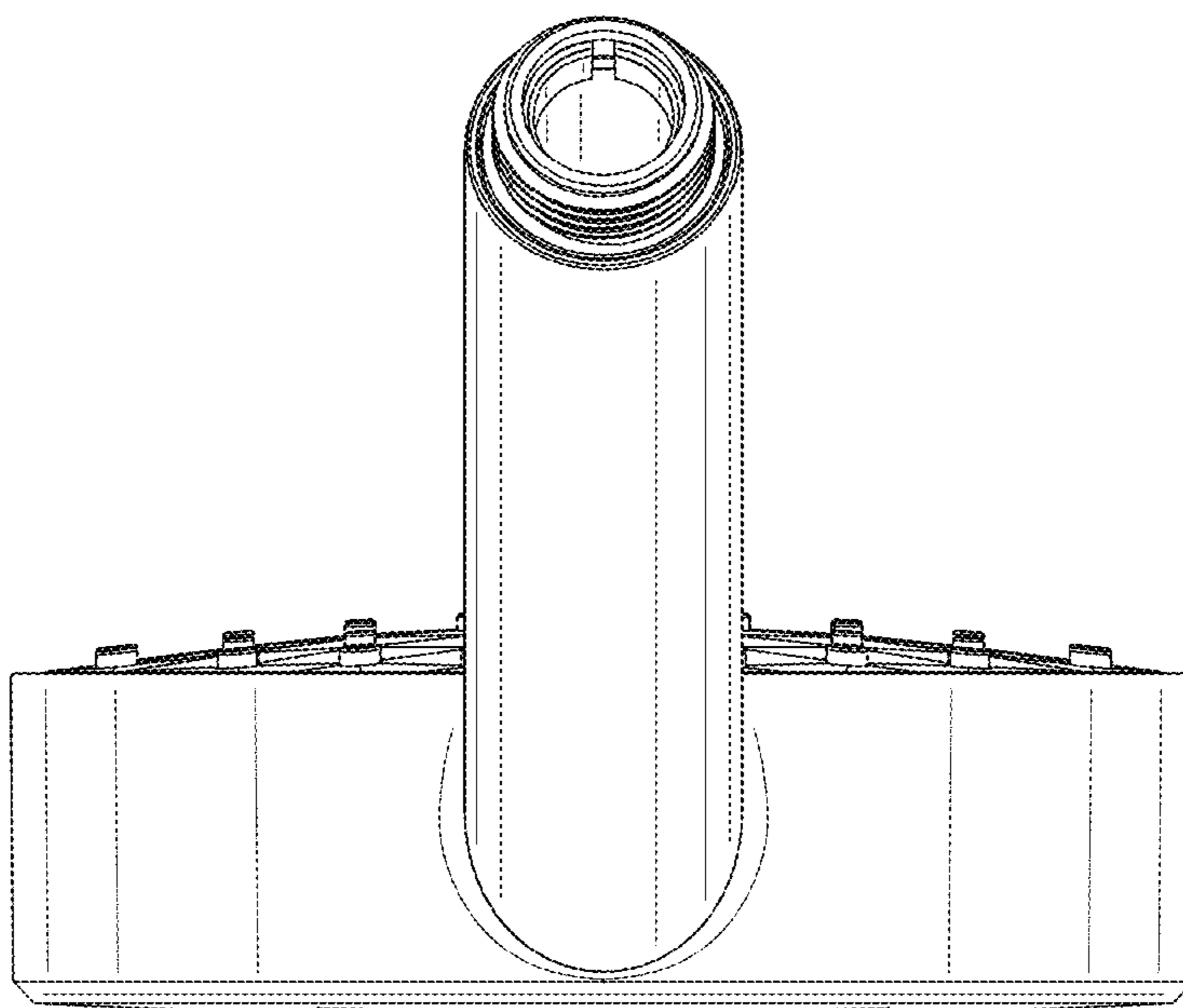


FIG. 15



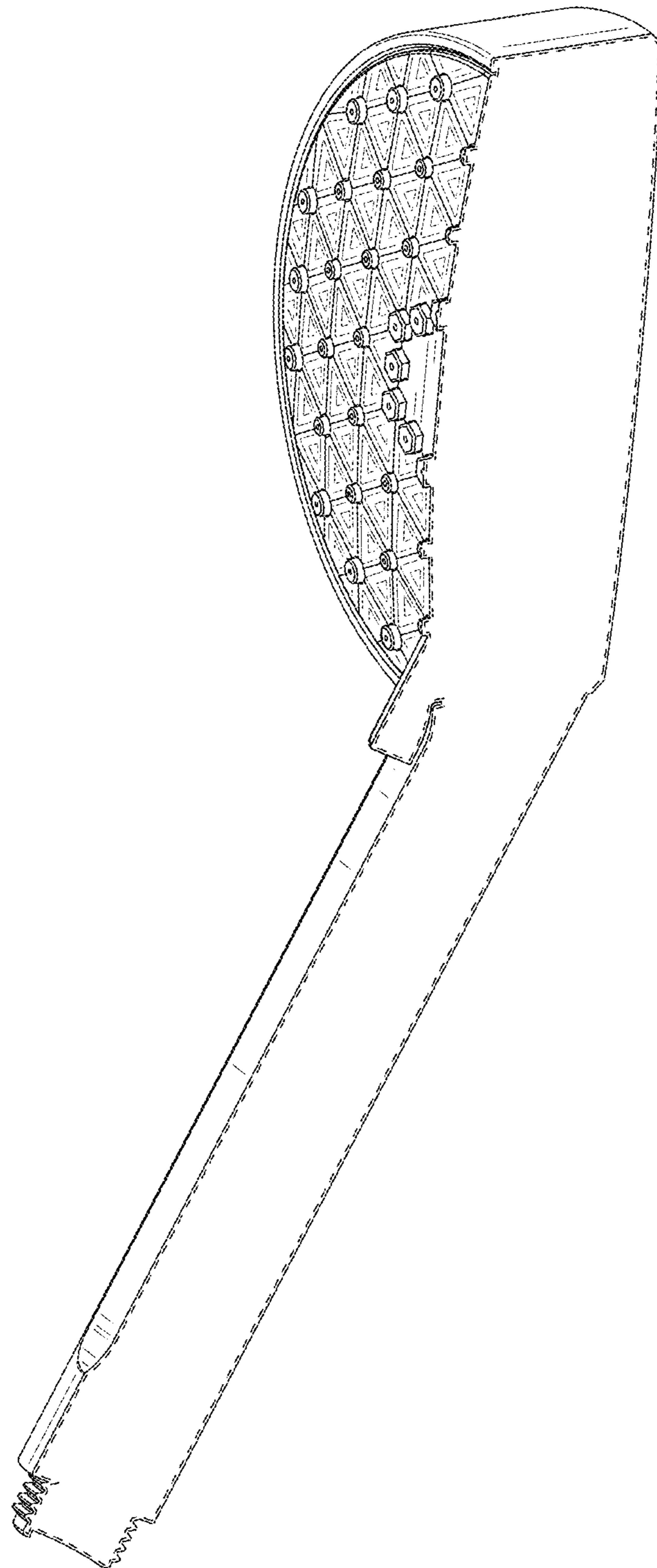


FIG. 16