



US00D779038S

(12) **United States Design Patent** (10) **Patent No.:** **US D779,038 S**
Hanna et al. (45) **Date of Patent:** **** Feb. 14, 2017**

(54) **SHOWER FACEPLATE AND SHOWER DEVICE**

- (71) Applicant: **Kohler Co.**, Kohler, WI (US)
- (72) Inventors: **Kenneth Scott Hanna**, Bellingham, WA (US); **Gregory De Swarte**, Sheboygan, WI (US); **Leila Michelle Rubin**, Boone, NC (US); **Eugenio Duarte**, Sheboygan Falls, WI (US)
- (73) Assignee: **Kohler Co.**, Kohler, WI (US)
- (**) Term: **15 Years**
- (21) Appl. No.: **29/566,805**
- (22) Filed: **Jun. 2, 2016**

Related U.S. Application Data

- (60) Continuation of application No. 29/492,720, filed on Jun. 2, 2014, now Pat. No. Des. 759,197, which is a continuation of application No. 29/470,413, filed on Oct. 21, 2013, now Pat. No. Des. 707,329, which is a continuation of application No. 29/457,990, filed on Jun. 14, 2013, now abandoned, which is a division of application No. 29/415,587, filed on Mar. 12, 2012, now Pat. No. Des. 692,527.
 - (51) **LOC (10) Cl.** **23-01**
 - (52) **U.S. Cl.**
USPC **D23/223**
 - (58) **Field of Classification Search**
USPC D23/213, 223, 226, 229, 230; 4/615; 239/526-7
CPC B05B 1/18; B05B 1/00; B05B 9/01; E03C 1/06; A47K 3/28
- See application file for complete search history.

(56) **References Cited**

U.S. PATENT DOCUMENTS

- 3,088,675 A 5/1963 Bone
 - 3,608,650 A 9/1971 Matsusaka
 - 3,944,140 A 3/1976 Caton et al.
- (Continued)

FOREIGN PATENT DOCUMENTS

- CN 1761528 4/2006
 - CN 202045027 11/2011
- (Continued)

OTHER PUBLICATIONS

Shower head photos, known at least as early as Mar. 12, 2012.
(Continued)

Primary Examiner — Robin V Webster
(74) *Attorney, Agent, or Firm* — Michael Best & Friedrich LLP

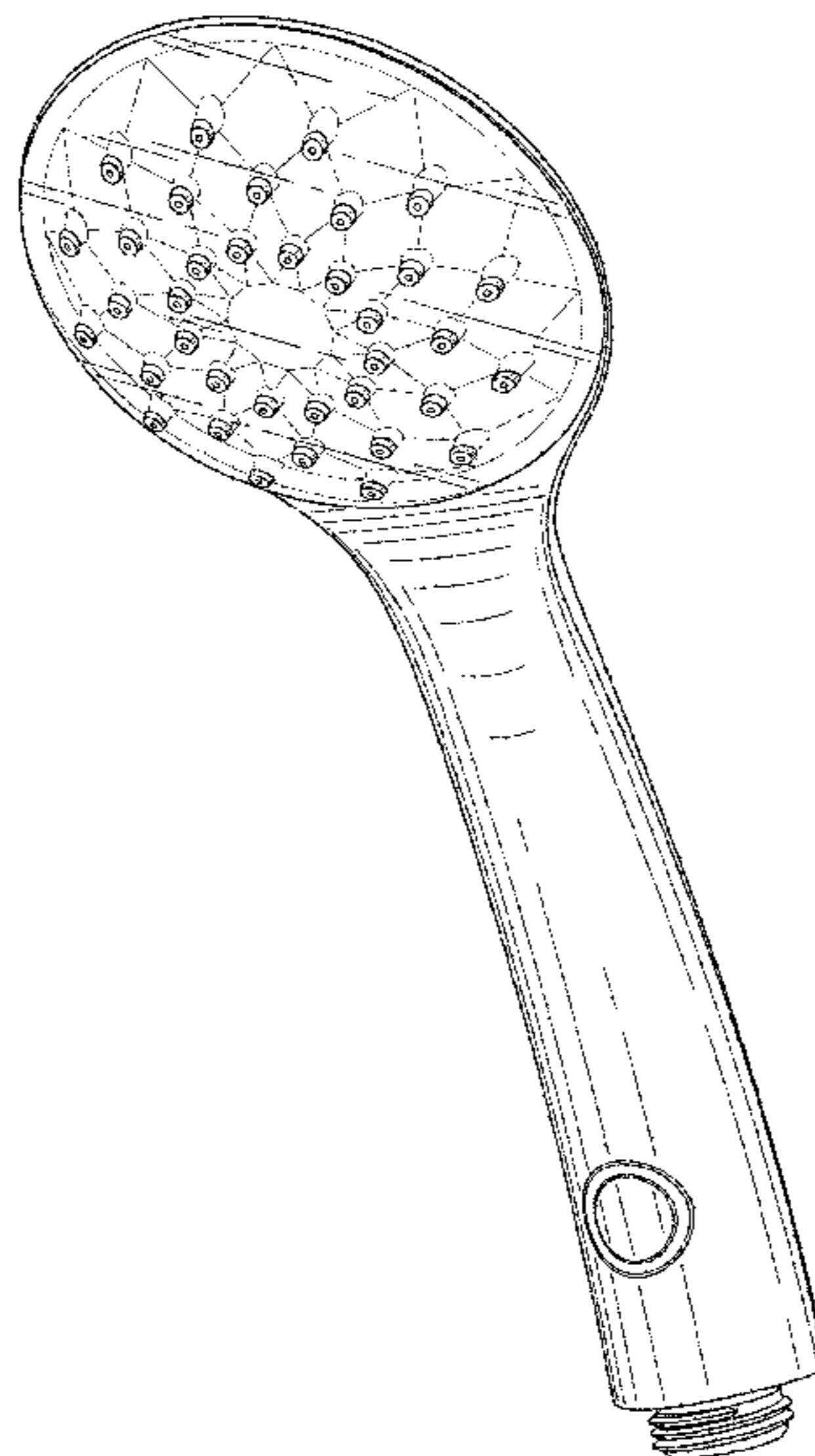
(57) **CLAIM**

We claim the ornamental design for a shower faceplate and shower device, as shown and described.

DESCRIPTION

FIG. 1 is a front perspective view of a shower device, such as a handshower.
 FIG. 2 is a front view of the shower device shown in FIG. 1.
 FIG. 3 is a rear view of the shower device shown in FIG. 1.
 FIG. 4 is a right side view of the shower device shown in FIG. 1.
 FIG. 5 is a left side view of the shower device shown in FIG. 1.
 FIG. 6 is a top view of the shower device shown in FIG. 1; and,
 FIG. 7 is a bottom view of the shower device shown in FIG. 1.

1 Claim, 5 Drawing Sheets



(56)

References Cited

U.S. PATENT DOCUMENTS

3,963,179 A 6/1976 Tomaro
 4,272,022 A 6/1981 Evans
 D267,581 S 1/1983 Mackay et al.
 4,545,083 A 10/1985 Searson
 4,561,593 A 12/1985 Cammack et al.
 4,618,100 A 10/1986 White et al.
 4,733,818 A 3/1988 Aghnides
 4,733,819 A 3/1988 Aghnides
 4,964,181 A 10/1990 Alpert
 4,998,673 A 3/1991 Pilolla
 5,215,258 A 6/1993 Jursich
 5,228,625 A 7/1993 Grassberger
 5,329,650 A 7/1994 Zaccai et al.
 5,405,089 A 4/1995 Heimann et al.
 5,518,181 A 5/1996 Shames et al.
 5,535,779 A 7/1996 Huang
 5,664,015 A 9/1997 Ford et al.
 5,702,057 A 12/1997 Huber
 5,730,362 A 3/1998 Cordes
 5,779,146 A 7/1998 Cutler
 5,862,985 A 1/1999 Neibrook et al.
 6,021,960 A 2/2000 Kehat
 D423,083 S 4/2000 Haug et al.
 D424,160 S 5/2000 Haug et al.
 D424,161 S 5/2000 Haug et al.
 D424,162 S 5/2000 Haug et al.
 D424,163 S 5/2000 Haug et al.
 D424,164 S 5/2000 Haug et al.
 6,061,457 A 5/2000 Stockhamer
 D428,110 S 7/2000 Haug et al.
 6,090,210 A 7/2000 Balance et al.
 6,126,290 A 10/2000 Veigel
 D439,305 S 3/2001 Slothower
 D440,277 S 4/2001 Slothower
 D440,278 S 4/2001 Slothower
 D443,027 S 5/2001 Kollmann et al.
 D443,029 S 5/2001 Kollmann et al.
 6,263,524 B1 7/2001 Abdul
 D457,598 S 5/2002 Storti et al.
 6,439,472 B1 8/2002 Lin et al.
 6,444,039 B1 9/2002 Nguyen
 6,463,658 B1 10/2002 Larsson
 D465,263 S 11/2002 Tse
 D465,551 S 11/2002 Tse
 D466,188 S 11/2002 Tse
 D489,793 S 5/2004 Haug et al.
 D492,004 S 6/2004 Haug et al.
 D492,006 S 6/2004 Haug et al.
 D492,008 S 6/2004 Haug et al.
 D495,776 S 9/2004 Blomstrom
 D497,974 S 11/2004 Haug et al.
 D498,514 S 11/2004 Haug et al.
 6,879,818 B2 4/2005 Wageneck
 D506,924 S 7/2005 Berner
 D509,424 S 9/2005 Berner
 D511,809 S 11/2005 Haug et al.
 D513,525 S 1/2006 Haug et al.
 6,983,898 B2 1/2006 Clark
 D518,145 S 3/2006 Nikles
 7,048,210 B2 5/2006 Clark
 D527,072 S 8/2006 Wu
 7,100,845 B1 9/2006 Hsieh
 7,111,798 B2 9/2006 Thomas et al.
 7,178,746 B2 2/2007 Gross
 D551,737 S 9/2007 Haug et al.
 7,269,862 B2 9/2007 Rooke et al.
 D557,763 S 12/2007 Schönherr et al.
 D557,764 S 12/2007 Schönherr et al.
 D557,765 S 12/2007 Schönherr et al.
 D562,937 S 2/2008 Schönherr et al.
 D562,938 S 2/2008 Blessing
 D564,067 S 3/2008 Lammel et al.
 D576,251 S 9/2008 Schoenherr et al.
 D590,477 S 4/2009 Schoenherr et al.
 D590,916 S 4/2009 Schoenherr et al.

D590,917 S 4/2009 Schoenherr et al.
 D592,276 S 5/2009 Schoenherr et al.
 7,578,453 B1 8/2009 Wilson
 D610,230 S * 2/2010 Wu D23/223
 D610,231 S * 2/2010 Wu D23/223
 D610,651 S * 2/2010 Wu D23/223
 7,740,186 B2 6/2010 Macan et al.
 7,762,479 B2 7/2010 Li
 D630,706 S 1/2011 Giggs et al.
 7,918,408 B2 4/2011 Tshieh
 D638,100 S 5/2011 Juan
 7,946,512 B2 5/2011 Schorn
 8,028,935 B2 10/2011 Leber
 8,048,010 B2 11/2011 Ohashi et al.
 D655,383 S 3/2012 Flowers et al.
 D659,797 S 5/2012 Farley
 D667,928 S 9/2012 Cutler et al.
 D669,157 S 10/2012 Flowers et al.
 D670,358 S * 11/2012 Bai D23/223
 D672,011 S * 12/2012 Andrew D23/223
 D672,433 S * 12/2012 Yoo D23/223
 D680,619 S * 4/2013 Zhadanov D23/223
 D681,776 S * 5/2013 Cutler D23/223
 D692,527 S 10/2013 Hanna et al.
 D694,361 S 11/2013 Schoenherr et al.
 D707,329 S 6/2014 Hanna et al.
 D714,421 S 9/2014 Flowers et al.
 D719,240 S 12/2014 Hanna et al.
 D737,931 S 9/2015 Schoenherr et al.
 2003/0029936 A1 2/2003 Clark
 2004/0164184 A1 8/2004 Glunk
 2004/0217209 A1 11/2004 Bui
 2004/0250851 A1 12/2004 Clark
 2004/0251323 A1 12/2004 Clark
 2004/0252422 A1 12/2004 Talbot et al.
 2005/0156062 A1 7/2005 Thomas et al.
 2006/0175437 A1 8/2006 Gross
 2007/0246577 A1 10/2007 Leber
 2008/0011880 A1 1/2008 Butzke et al.
 2008/0225517 A1 9/2008 Clark
 2009/0114743 A1 5/2009 Thomas et al.
 2010/0037389 A1 2/2010 Gross
 2010/0065665 A1 3/2010 Whitaker et al.
 2010/0167551 A1 7/2010 DeDontney
 2011/0031331 A1 2/2011 Klicpera
 2011/0073678 A1 3/2011 Qiu et al.
 2011/0139905 A1 6/2011 Chen et al.
 2012/0104114 A1 5/2012 Zhou et al.
 2013/0126646 A1 5/2013 Wu
 2013/0232684 A1 9/2013 Schumacher et al.

FOREIGN PATENT DOCUMENTS

CN 203408809 1/2014
 DE 10108248 8/2002
 EP 0348359 12/1989
 EP 0435030 7/1991
 EP 1479445 1/2004
 EP 2638972 9/2013
 GB 2337471 11/1999
 WO WO 9718041 5/1997

OTHER PUBLICATIONS

EP13158845.1 Extended European Search Report dated May 24, 2013 (7 pages).
 Co-pending U.S. Appl. No. 29/450,323, filed Mar. 16, 2013.
 Co-pending U.S. Appl. No. 29/450,310, filed Mar. 15, 2013.
 Co-pending U.S. Appl. No. 29/450,306, filed Mar. 15, 2013.
 Co-pending U.S. Appl. No. 29/457,990, filed Jun. 14, 2013.
 United States Patent Office Notice of Allowance for U.S. Appl. No. 29/415,587 dated Jun. 7, 2013 (7 pages).
 United States Patent Office Supplemental Notice of Allowance for U.S. Appl. No. 29/457,990 dated Sep. 24, 2013 (7 pages).
 Co-pending U.S. Appl. No. 13/790,621, filed Mar. 8, 2013.
 Co-pending U.S. Appl. No. 29/467,020, filed Sep. 13, 2013.

(56)

References Cited

OTHER PUBLICATIONS

United States Patent Office Notice of Allowance for U.S. Appl. No. 29/470,413 dated Jan. 31, 2014 (16 pages).
European Patent Office Search Report for Application No. 13193218.8 dated Apr. 17, 2014 (7 pages).
United States Patent Office Notice of Allowance for U.S. Appl. No. 29/450,323 dated Jun. 26, 2014 (8 pages).
United States Patent Office Notice of Allowance for U.S. Appl. No. 29/450,310 dated Jun. 25, 2014 (8 pages).
United States Patent Office Notice of Allowance for U.S. Appl. No. 29/450,306 dated Jun. 26, 2014 (8 pages).
United States Patent Office Notice of Allowance for U.S. Appl. No. 29/465,138 dated Aug. 5, 2014 (8 pages).
VS-3014 Caspian Showerhead, downloaded Jun. 27, 2014 <http://www.speakmancompany.com/products/detail/VS-3014> (1 page).
Grohe Power & Soul, 2013 (5 pages).
Australian Patent Office Examination Report for Application No. 2013201441 dated Sep. 17, 2014 (5 pages).
Extended European Search Report for Application No. 13193218.8 dated Aug. 27, 2014 (14 pages).

Examination Report from the Canadian Intellectual Property Office for Application No. 2,808,941 dated Mar. 11, 2015 (5 pages).
Office Action from the United States Patent and Trademark Office for U.S. Appl. No. 14/080,432 dated Apr. 30, 2015 (40 pages).
1st Office Action from The State Intellectual Property Office of the People's Republic of China for Application No. 201310077786.2 dated Jun. 3, 2015 (7 pages).
Office Action from the United States Patent and Trademark Office for U.S. Appl. No. 13/790,621 dated Jul. 2, 2015 (43 pages).
Final Office Action from the United States Patent and Trademark Office for U.S. Appl. No. 13/790,621 dated Jan. 20, 2016 (13 pages).
Second Office Action from the State Intellectual Property Office of the People's Republic of China for Application No. 201310077786.2 dated Jan. 21, 2016 (10 pages).
Office Action from the United States Patent and Trademark Office for U.S. Appl. No. 14/080,432 dated Jun. 10, 2016 (10 pages).
Notice of Allowance from the United States Patent and Trademark Office for U.S. Appl. No. 29/567,006 dated Oct. 4, 2016 (6 pages).
Notice of Allowance from the United States Patent and Trademark Office for U.S. Appl. No. 29/567,003 dated Oct. 13, 2016 (8 pages).
Notice of Allowance from the United States Patent and Trademark Office for U.S. Appl. No. 29/567,018 dated Oct. 11, 2016 (8 pages).

* cited by examiner

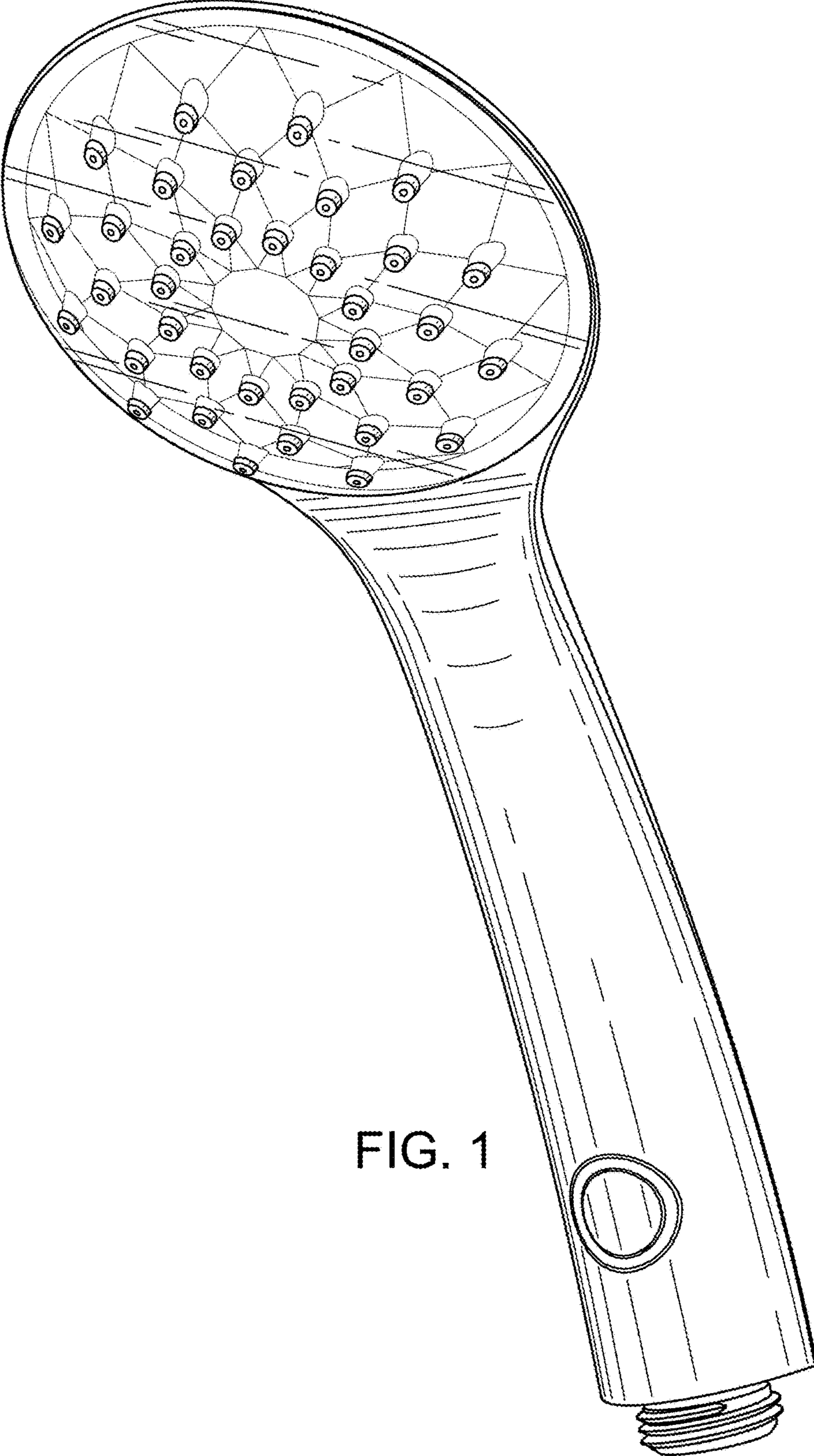


FIG. 1

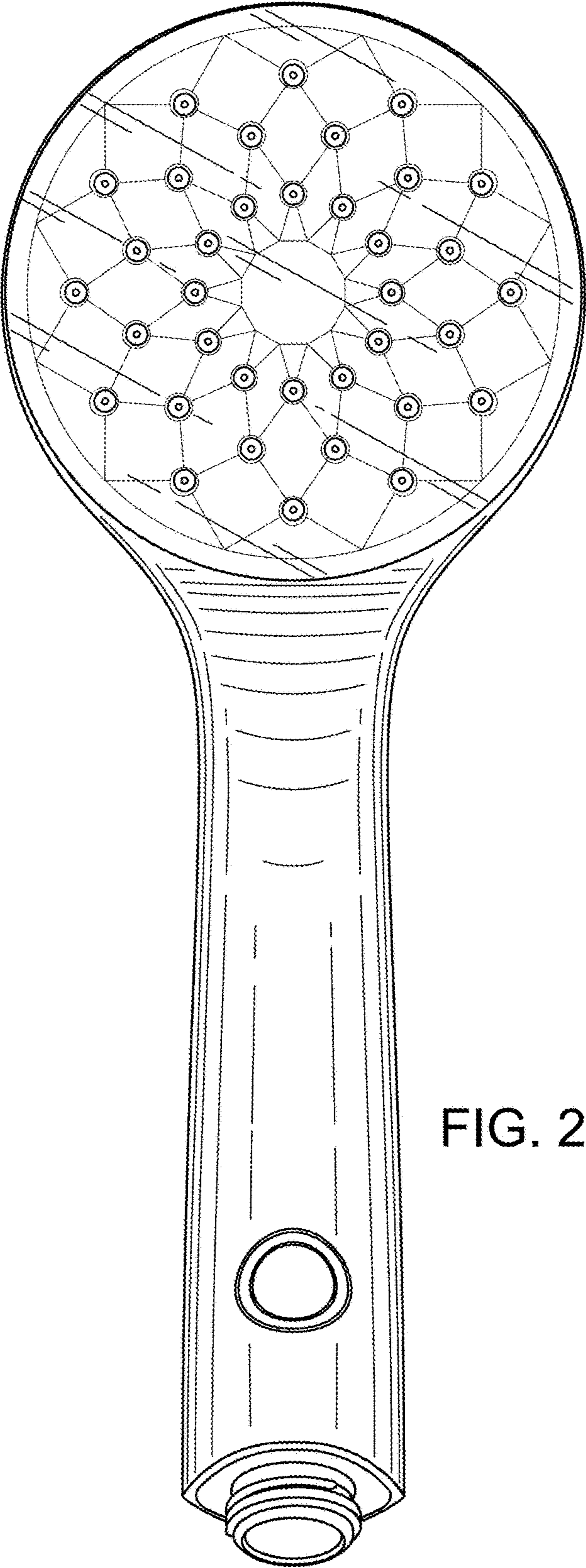


FIG. 2

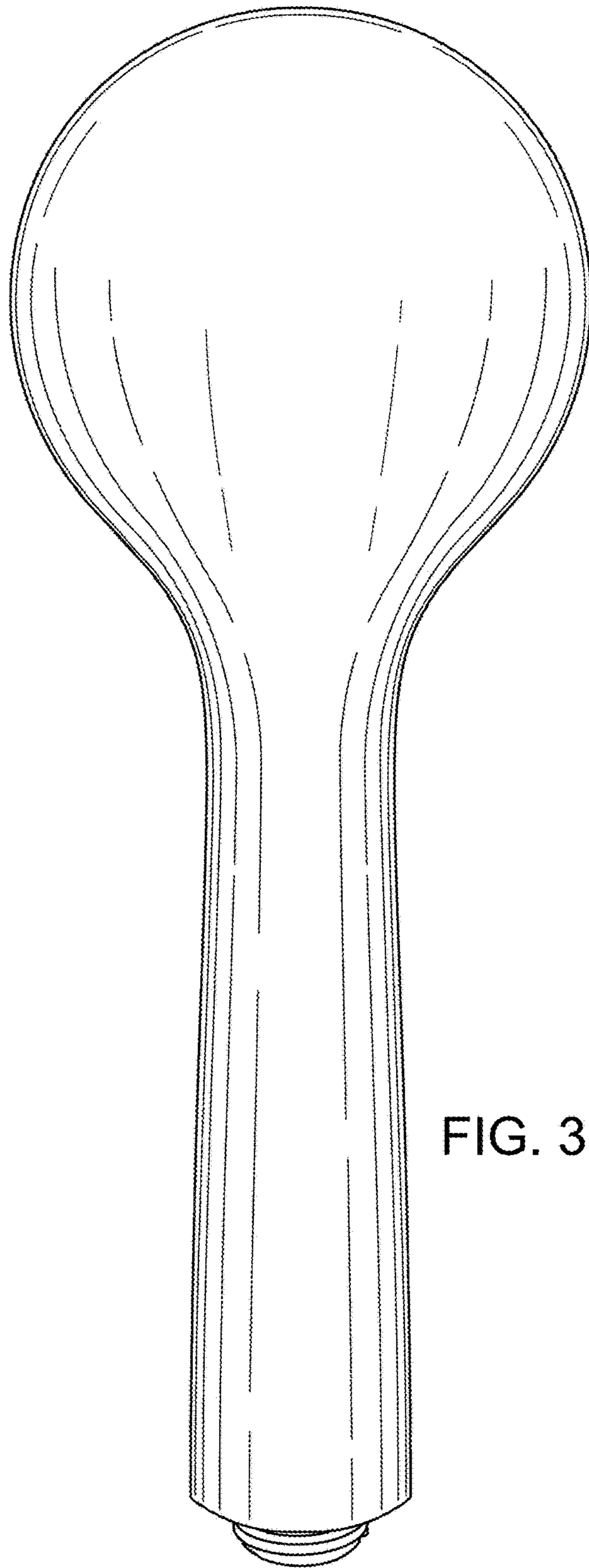


FIG. 3



FIG. 4

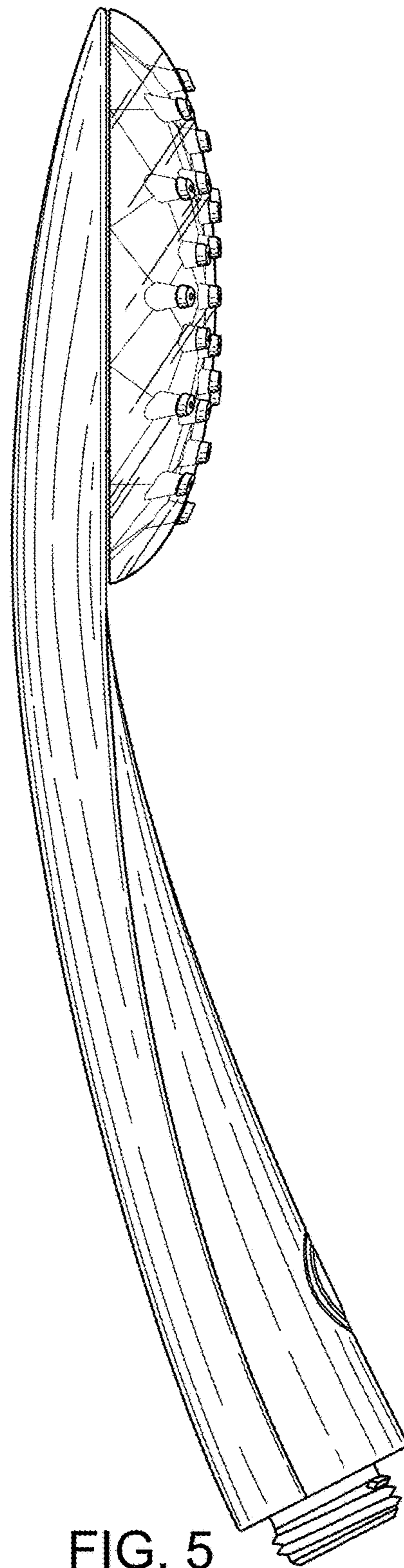


FIG. 5

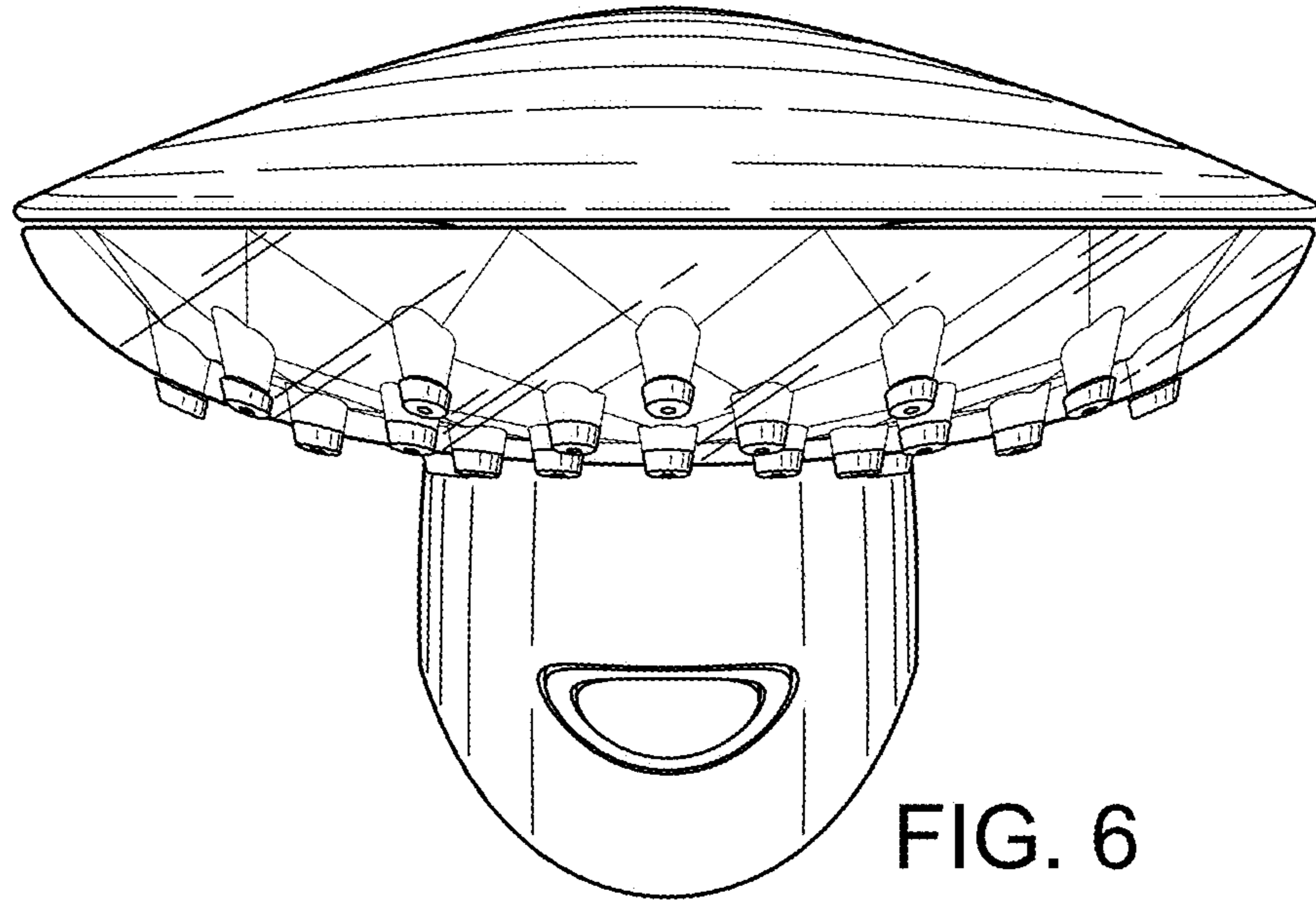


FIG. 6

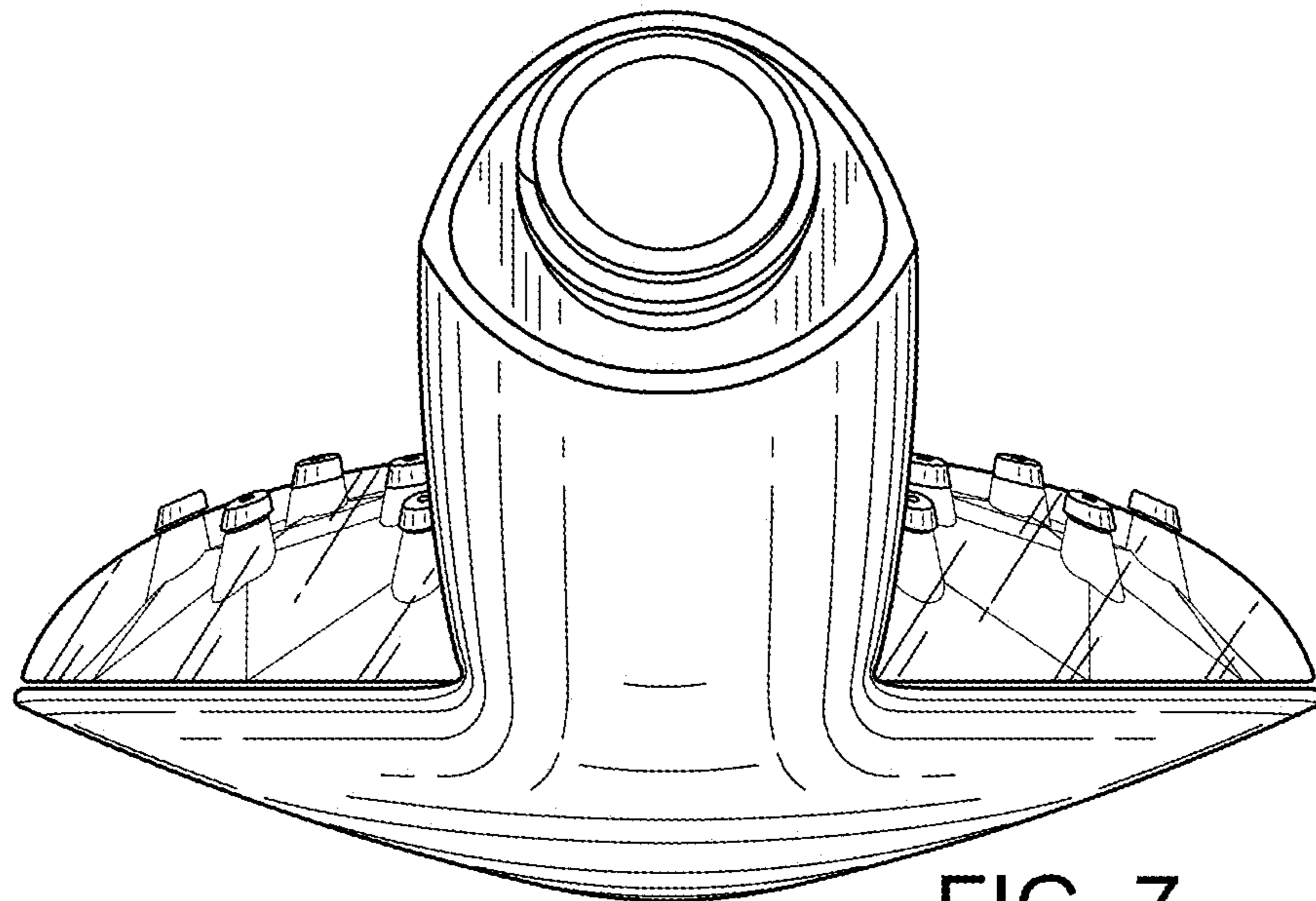


FIG. 7