



US00D779037S

(12) **United States Design Patent**
Rasmussen

(10) **Patent No.:** **US D779,037 S**

(45) **Date of Patent:** **** Feb. 14, 2017**

(54) **SPRAY GUN**

(71) Applicant: **Kärcher North America, Inc.**, Denver, CO (US)

(72) Inventor: **Michael Rasmussen**, Denver, CO (US)

(73) Assignee: **Kärcher North America, Inc.**, Denver, CO (US)

(**) Term: **15 Years**

(21) Appl. No.: **29/544,129**

(22) Filed: **Oct. 30, 2015**

(51) **LOC (10) Cl.** **23-01**

(52) **U.S. Cl.**
USPC **D23/223**

(58) **Field of Classification Search**
USPC D23/213, 223, 226; 239/526
CPC B05B 1/18; B05B 1/00; B05B 9/01
See application file for complete search history.

(56) **References Cited**

U.S. PATENT DOCUMENTS

D315,014 S *	2/1991	Clivio	D23/226
5,236,129 A	8/1993	Grime et al.		
5,836,517 A	11/1998	Burns et al.		
D532,862 S *	11/2006	Chung	D23/213
D617,416 S	6/2010	Chen		
D636,846 S	4/2011	Shoemaker		
D636,848 S *	4/2011	Fontaine	D23/226
8,708,254 B2	4/2014	Baxter et al.		
D709,990 S	7/2014	Loudon et al.		
8,893,991 B2	11/2014	Alexander et al.		
9,216,441 B2 *	12/2015	Pacht	B08B 3/028
D756,485 S *	5/2016	Rasmussen	D23/223

OTHER PUBLICATIONS

U.S. Appl. No. 29/517,538, filed Feb. 13, 2015, Rasmussen.
Notice of Allowance for U.S. Appl. No. 29/517,538, mailed Jan. 6, 2016, 8 pages.

U.S. Appl. No. 15/043,188, filed Feb. 12, 2016, Pastor et al.

* cited by examiner

Primary Examiner — Robin V Webster

(74) *Attorney, Agent, or Firm* — Sheridan Ross P.C.

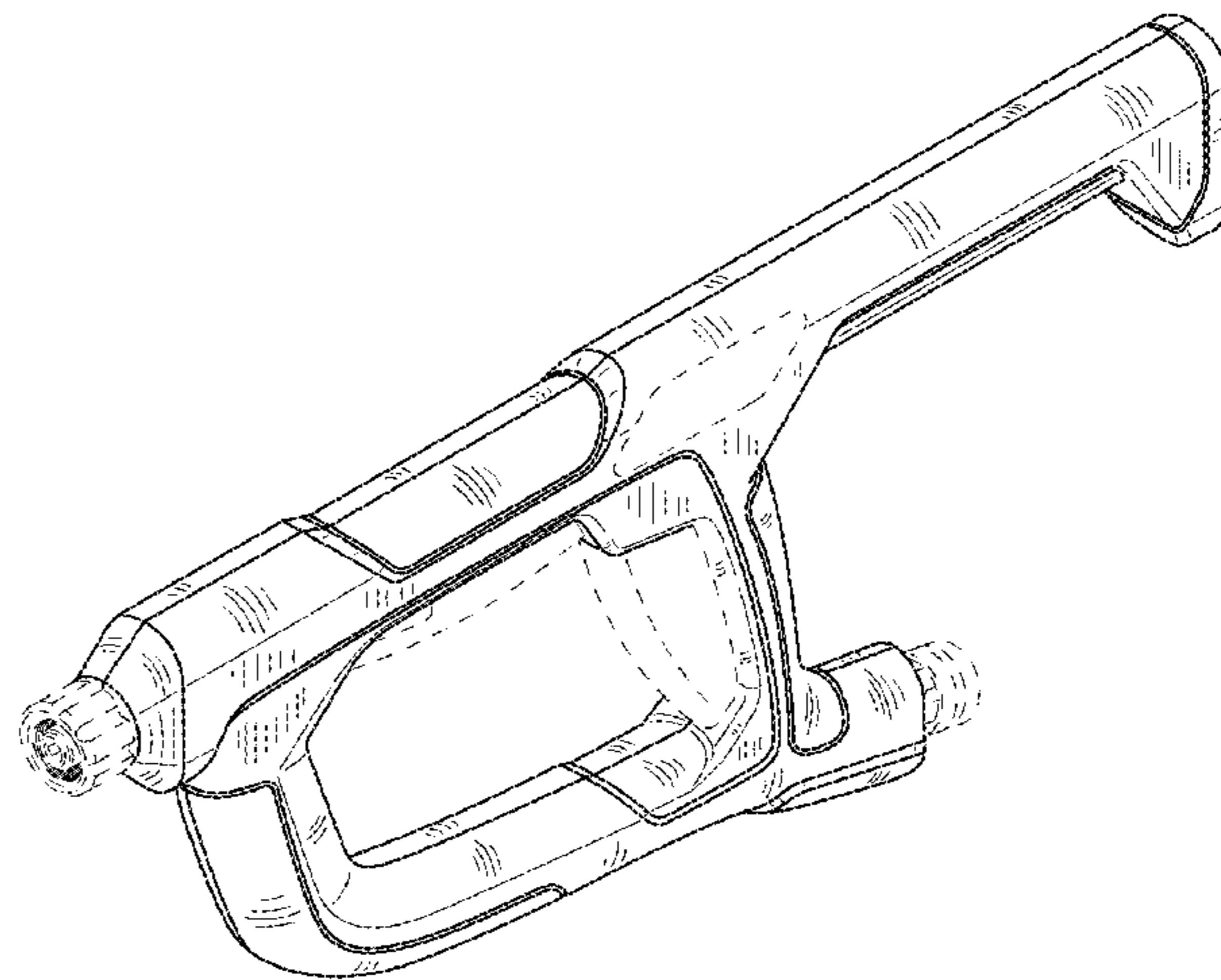
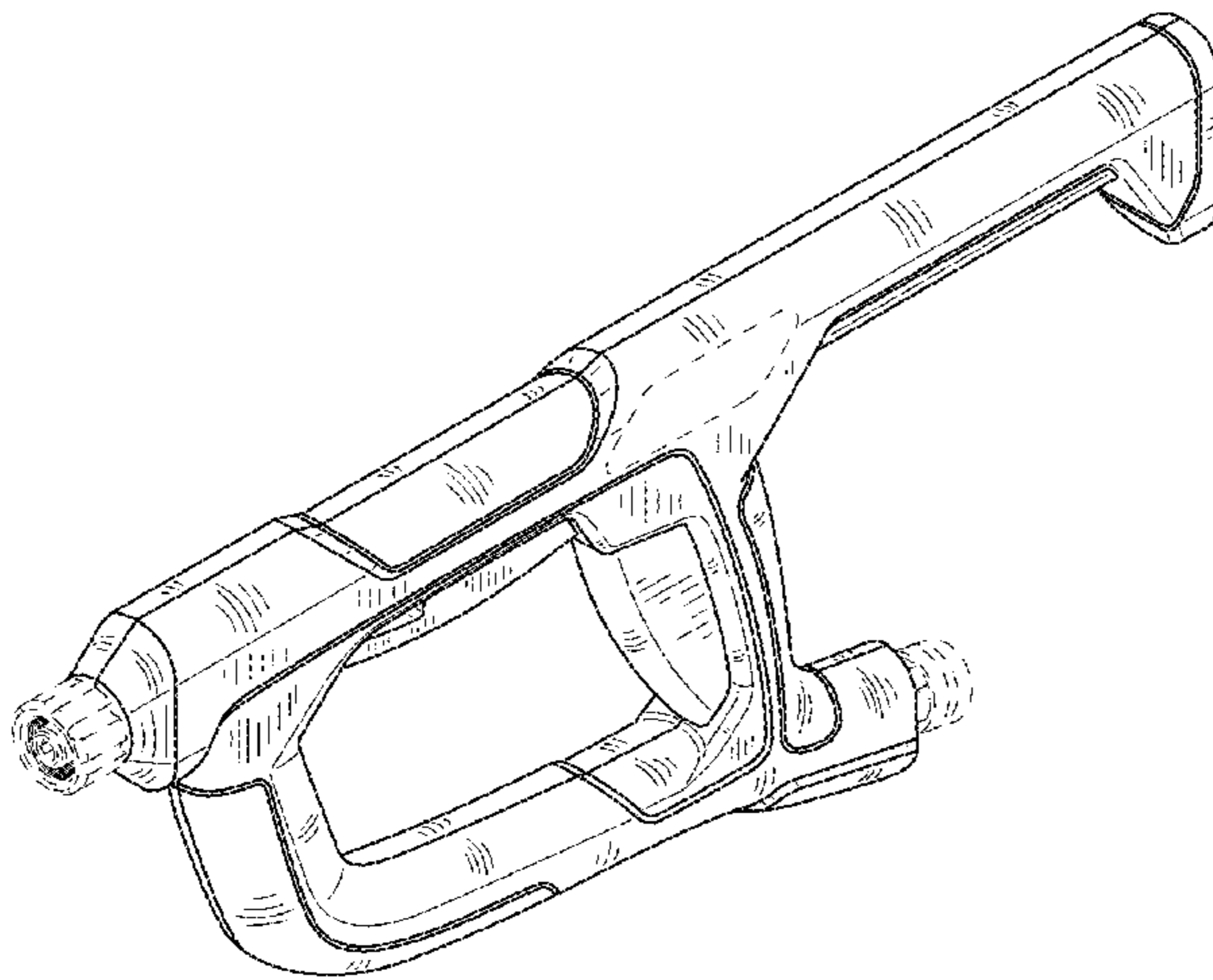
(57) **CLAIM**

The ornamental design for a spray gun, as shown and described.

DESCRIPTION

FIG. 1 is a front perspective view of the spray gun;
FIG. 2 is a front elevation view thereof;
FIG. 3 is a rear elevation view thereof;
FIG. 4 is a right elevation view thereof;
FIG. 5 is a left elevation view thereof;
FIG. 6 is a top plan view thereof;
FIG. 7 is a bottom plan view thereof;
FIG. 8 is a front perspective view of the spray gun according to another embodiment;
FIG. 9 is a front elevation view of the spray gun of FIG. 8;
FIG. 10 is a rear elevation view of the spray gun of FIG. 8;
FIG. 11 is a right elevation view of the spray gun of FIG. 8;
FIG. 12 is a left elevation view of the spray gun of FIG. 8;
FIG. 13 is a top plan view of the spray gun of FIG. 8; and,
FIG. 14 is a bottom plan view of the spray gun of FIG. 8.
The broken lines shown on the spray gun is included for the purpose of illustrating and forms no part of the claimed design.

1 Claim, 10 Drawing Sheets



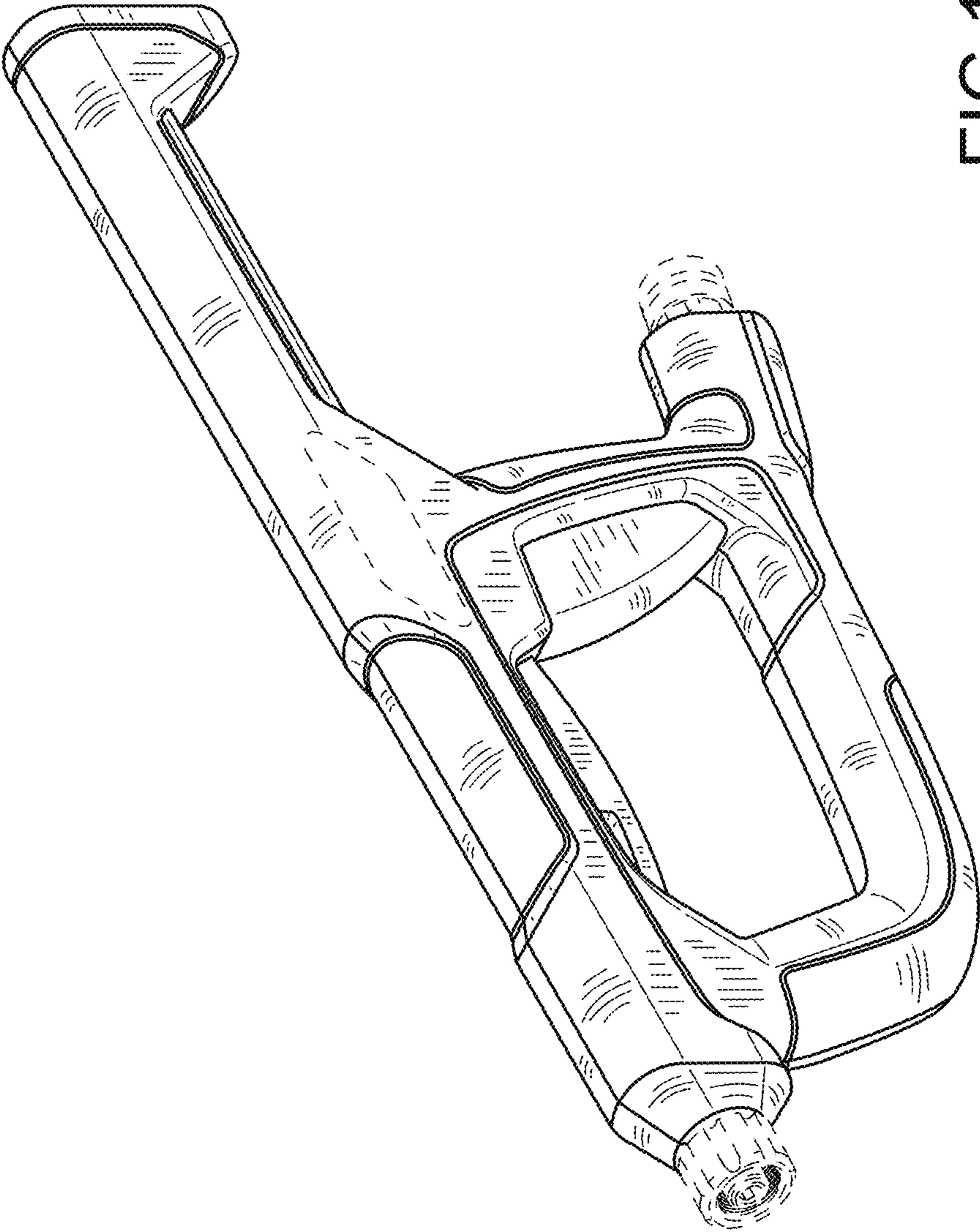


FIG.1

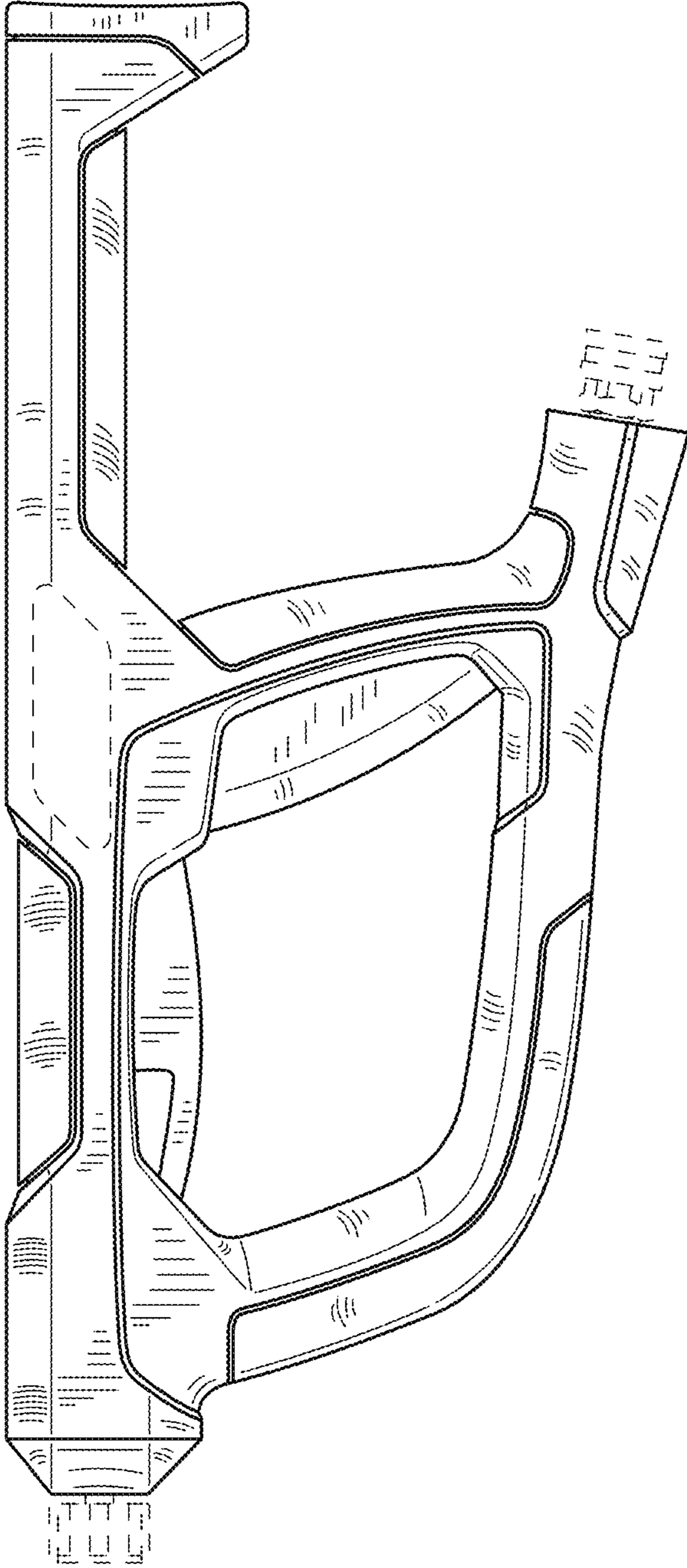


FIG.2

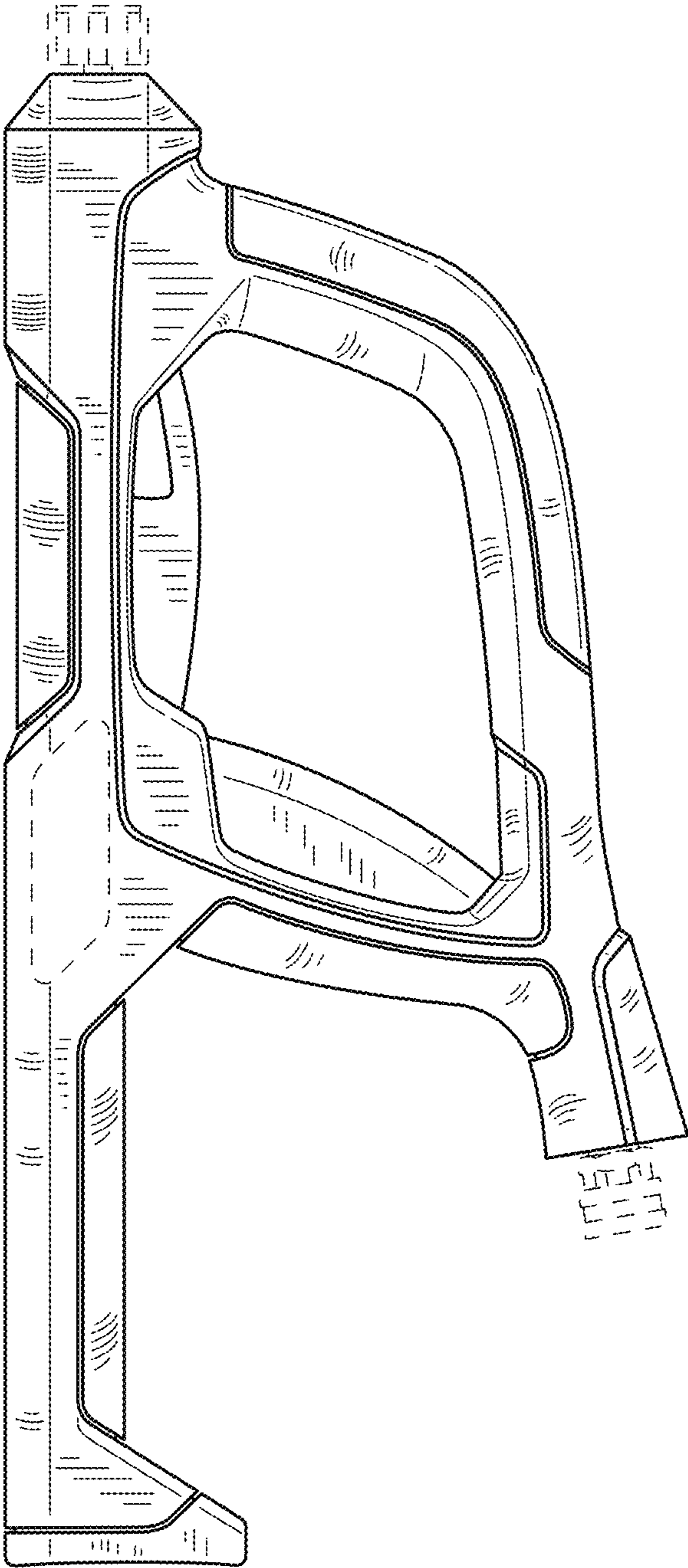


FIG.3

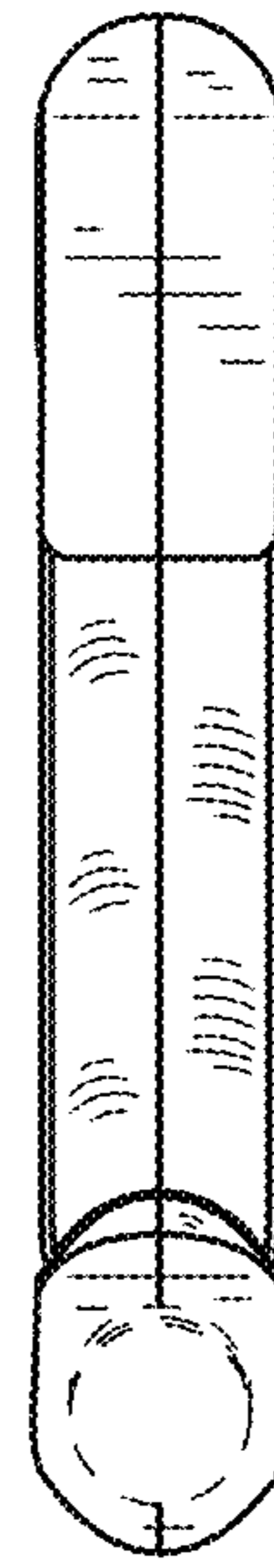


FIG. 4

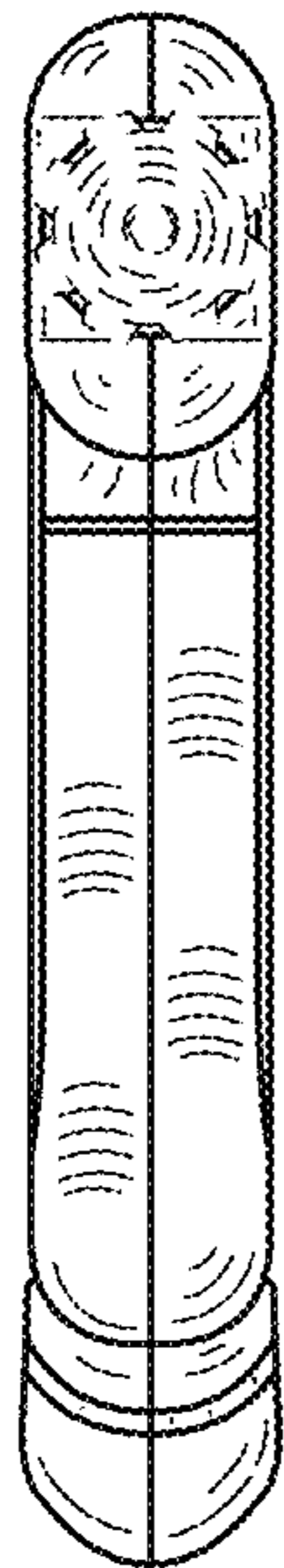


FIG. 5

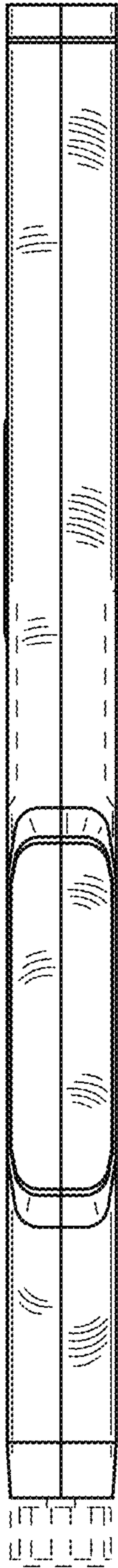


FIG. 6

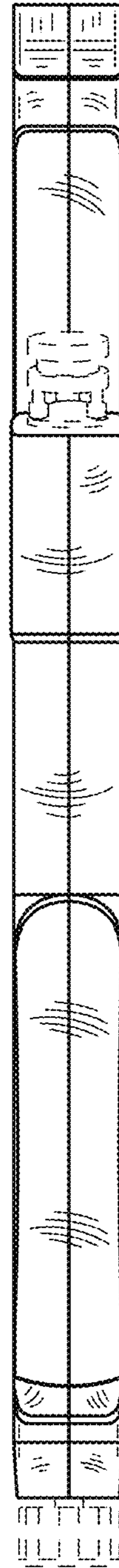


FIG. 7

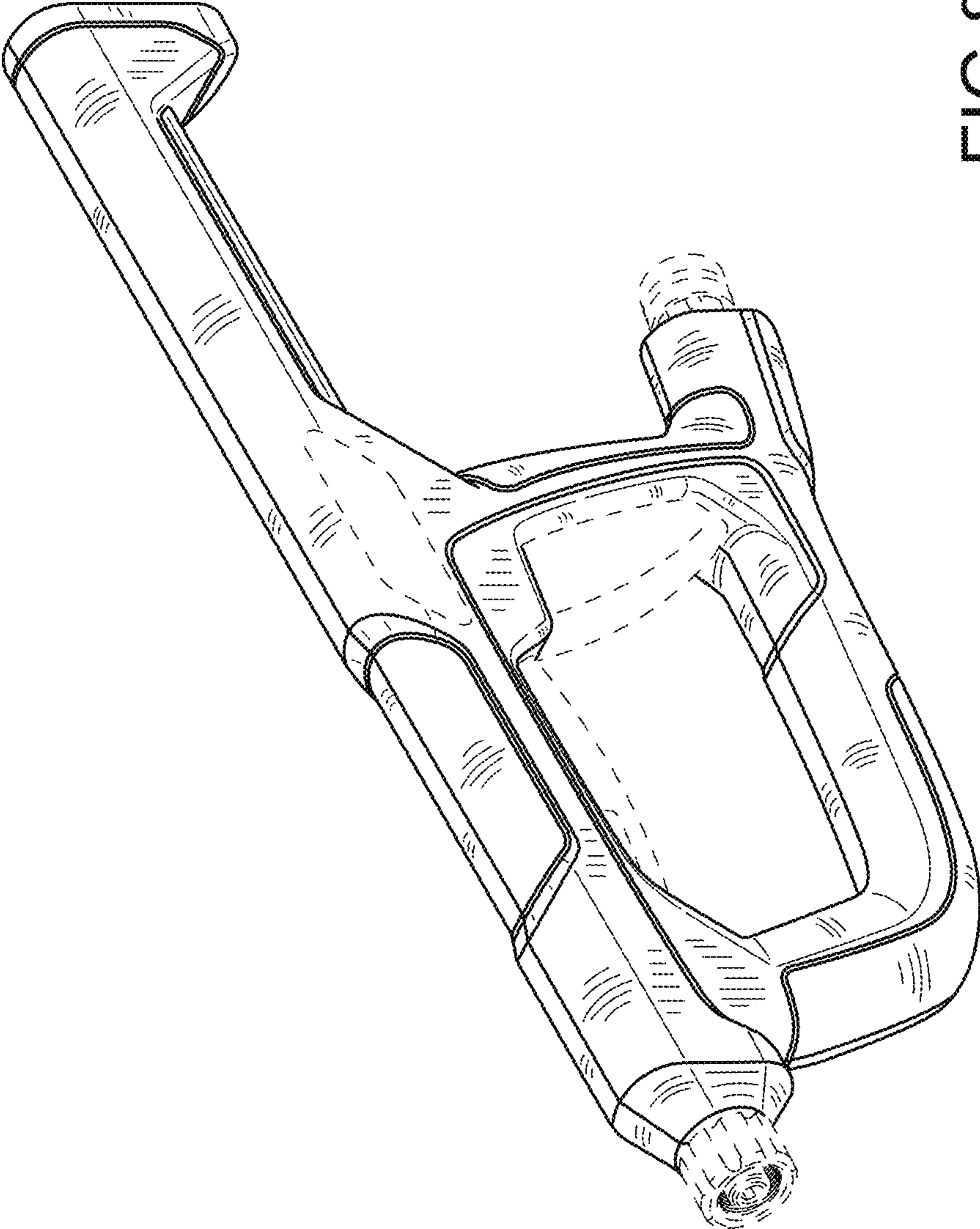


FIG.8

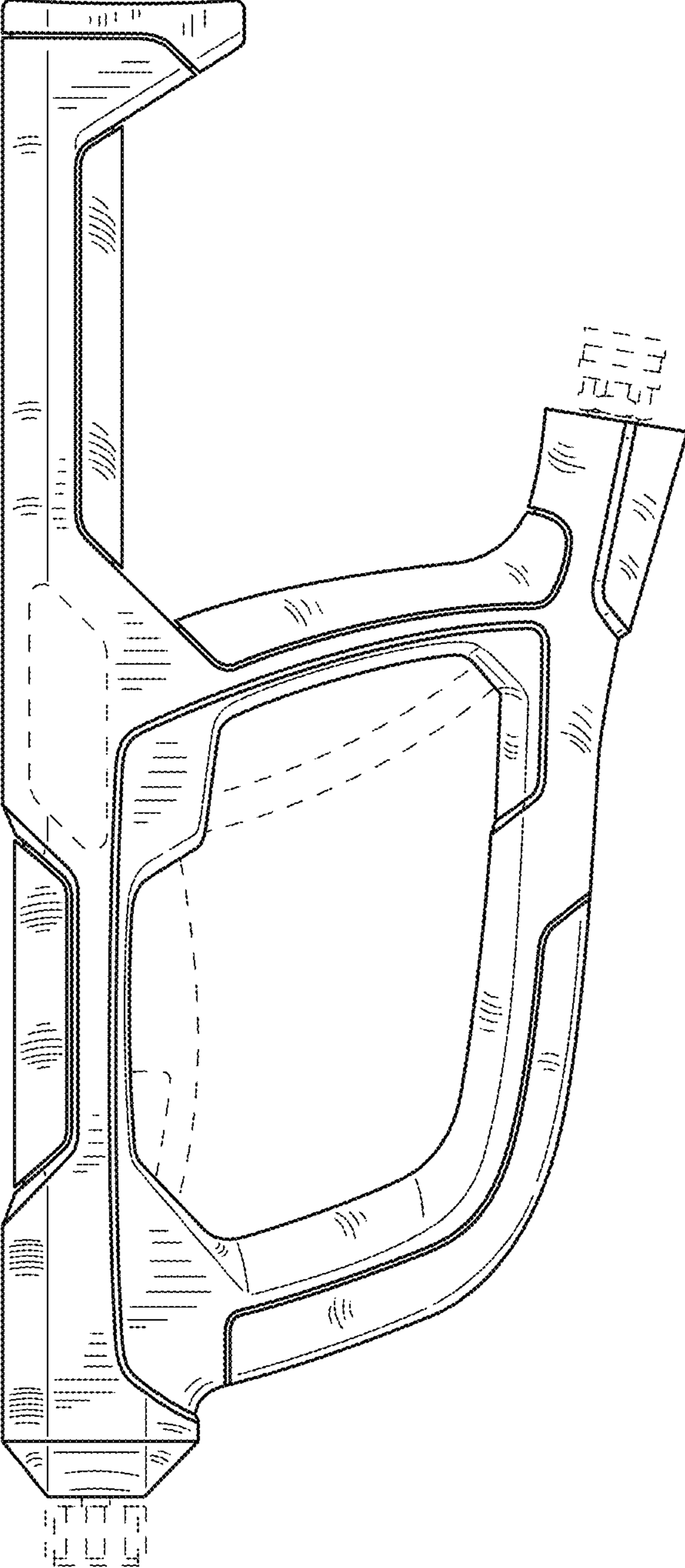


FIG. 9

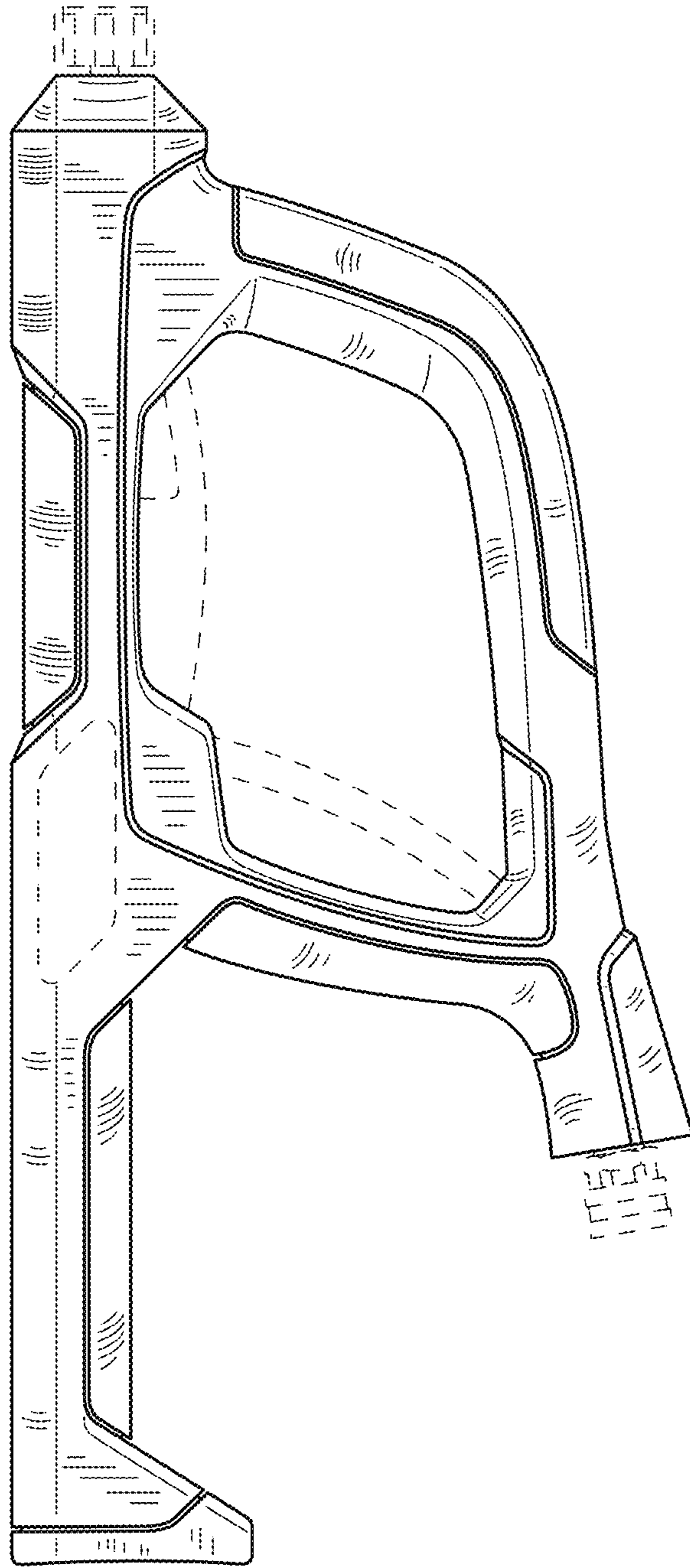


FIG.10

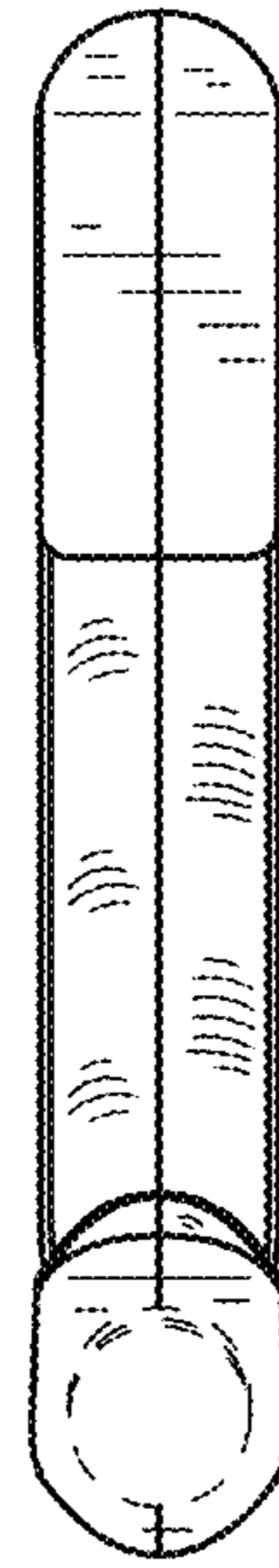


FIG. 11

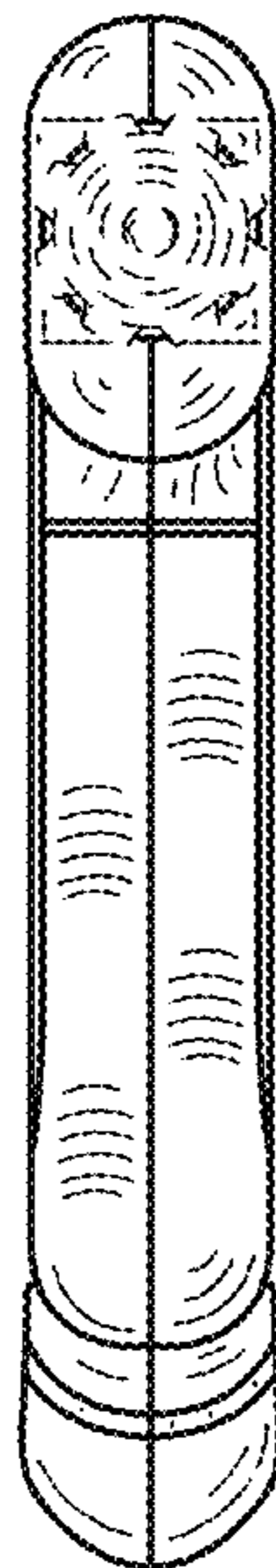


FIG. 12

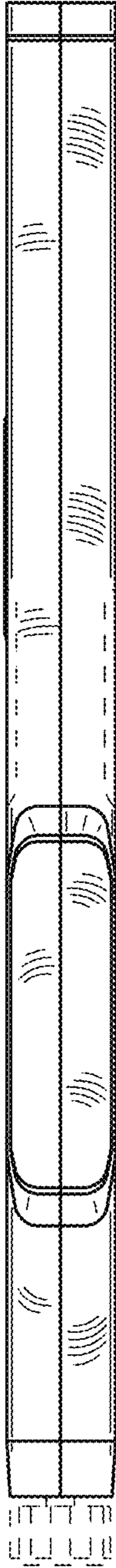


FIG. 13

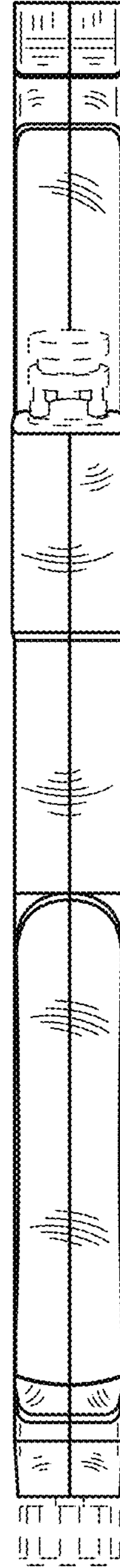


FIG. 14