



US00D779033S

(12) **United States Design Patent**
Kepner

(10) **Patent No.:** **US D779,033 S**

(45) **Date of Patent:** **** Feb. 14, 2017**

- (54) **WATER-TREATMENT DEVICE**
- (71) Applicant: **K2 Concepts Incorporated**, Lancaster, PA (US)
- (72) Inventor: **Bryan Kepner**, Lancaster, PA (US)
- (**) Term: **15 Years**
- (21) Appl. No.: **29/543,214**
- (22) Filed: **Oct. 22, 2015**
- (51) **LOC (10) Cl.** **23-01**
- (52) **U.S. Cl.**
USPC **D23/207; D23/208**
- (58) **Field of Classification Search**
USPC D23/207, 208, 209; 210/167.3, 242.1, 210/198.1; 422/261, 264, 265
CPC C02F 1/688
See application file for complete search history.

7,309,444 B2 * 12/2007 Connelly, Jr. A01N 59/00
210/753
D682,388 S * 5/2013 King D23/208
D692,626 S * 10/2013 Yerton D21/599

* cited by examiner

Primary Examiner — Robin V Webster

(74) *Attorney, Agent, or Firm* — Withers & Keys, LLC

(57) **CLAIM**

The ornamental design for a water-treatment device, as shown and described.

DESCRIPTION

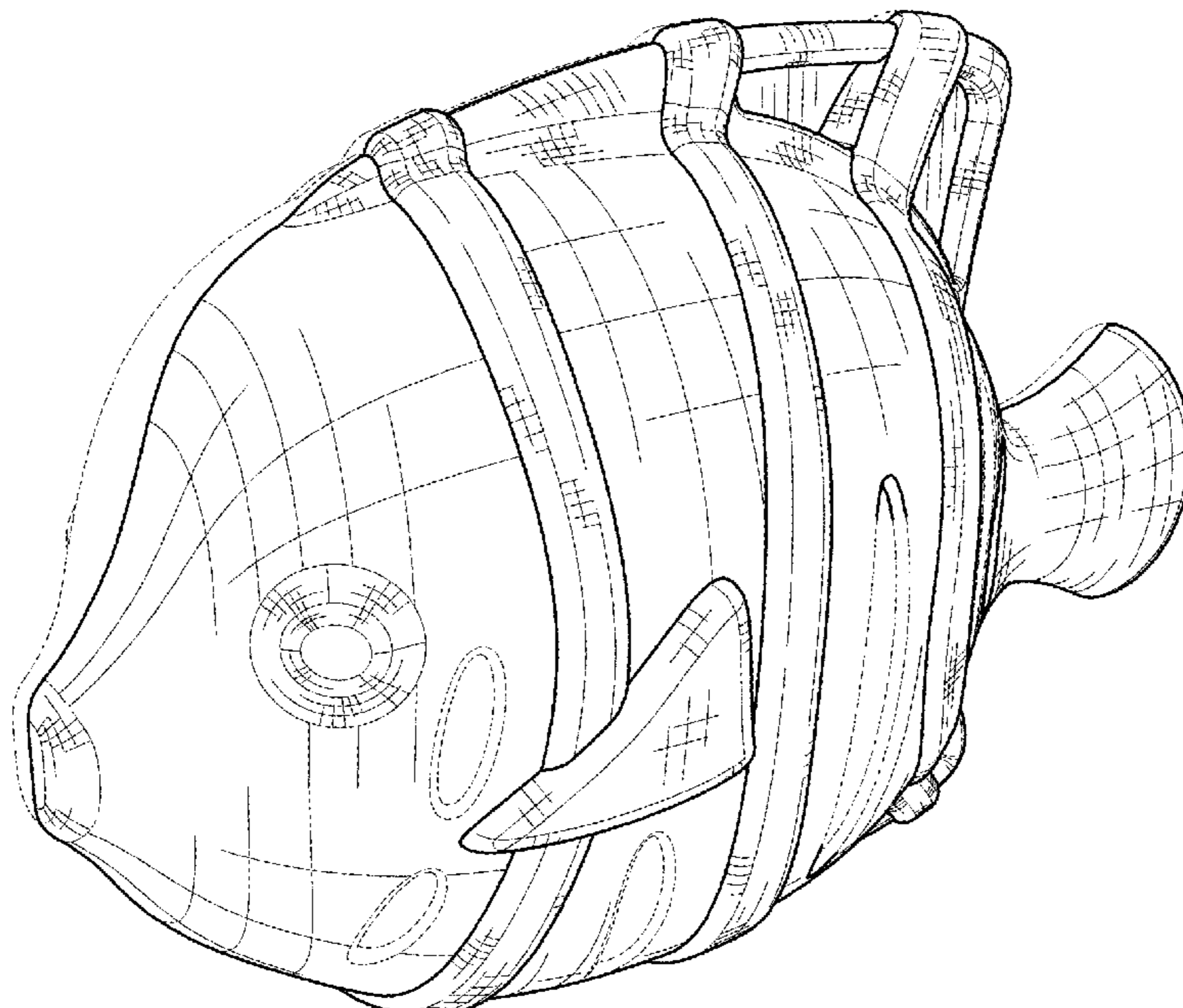
FIG. 1 is a perspective view of a water-treatment device showing my new design as viewed from a front left-hand side of the water-treatment device;
 FIG. 2 is a perspective view of the water-treatment device as viewed from the rear, right-hand side;
 FIG. 3 is a frontal view of the water-treatment device shown in FIG. 1;
 FIG. 4 is a rear view of the water-treatment device shown in FIG. 1;
 FIG. 5 is a top view of the water-treatment device shown in FIG. 3;
 FIG. 6 is a bottom view of the water-treatment device shown in FIG. 3;
 FIG. 7 is a side view as viewed from the left-hand side of the water-treatment device shown in FIG. 3; and,
 FIG. 8 is a side view as viewed from the right-hand side of the water-treatment device shown in FIG. 3.
 The broken lines shown in the drawings illustrate portions of the water-treatment device that forms no part of the claimed design.

(56) **References Cited**

U.S. PATENT DOCUMENTS

- D155,947 S * 11/1949 Sciver D21/599
- D192,170 S * 2/1962 Kovac D21/599
- D193,622 S * 9/1962 Massey D21/599
- D213,013 S * 12/1968 Klingberg D10/59
- D230,659 S * 3/1974 Bride D21/599
- D245,805 S * 9/1977 Cone D21/599
- D252,337 S * 7/1979 Hehnen D23/207
- D275,311 S * 8/1984 Wolfe D11/158
- D287,384 S * 12/1986 Sato D21/599
- D325,068 S * 3/1992 Gaury D1/100
- D325,069 S * 3/1992 Gaury D1/100
- 5,137,731 A * 8/1992 Casberg C02F 1/688
424/405
- 6,641,787 B1 * 11/2003 Siggins B01F 1/0033
210/198.1

1 Claim, 8 Drawing Sheets



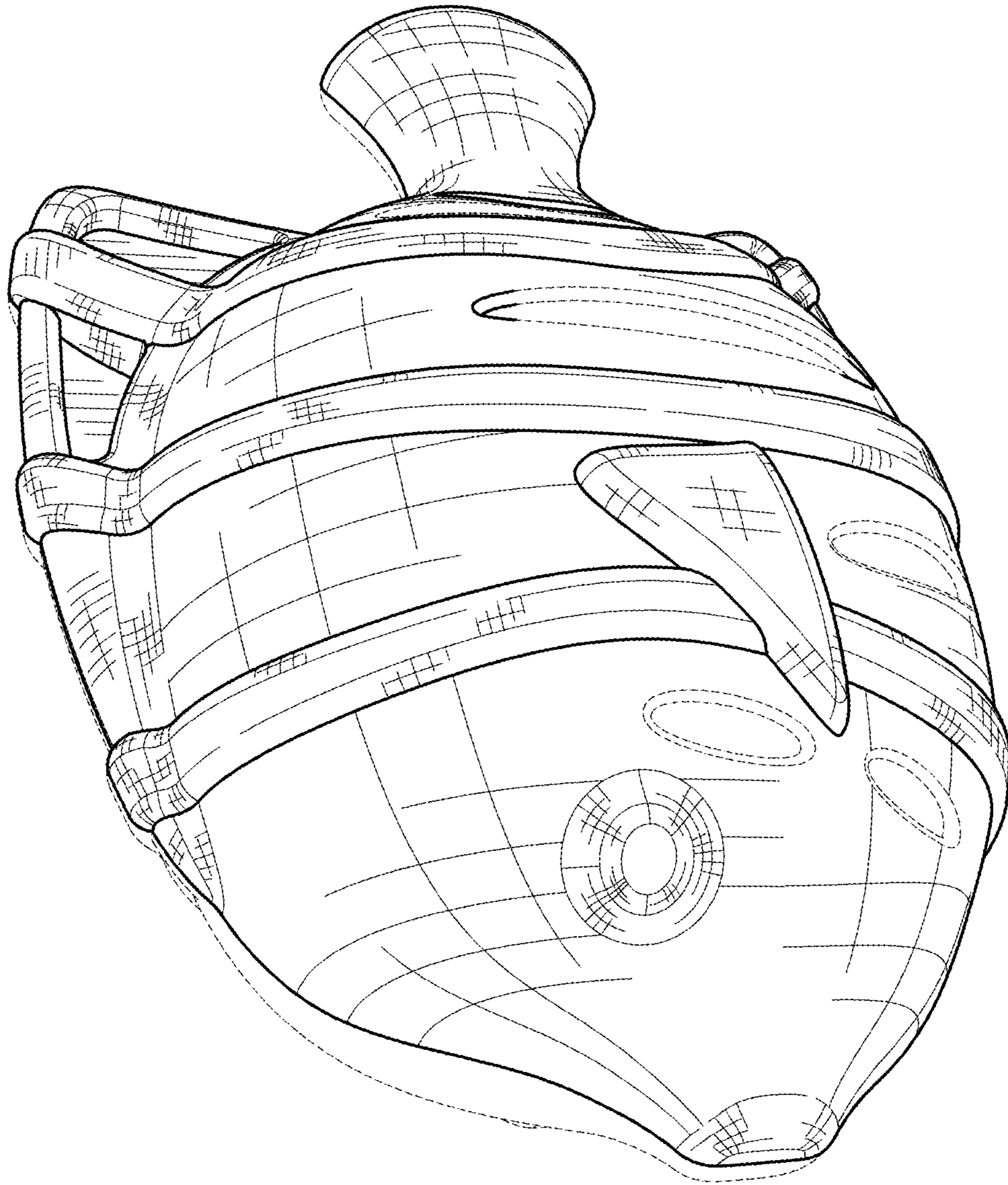


FIG. 1



FIG. 2

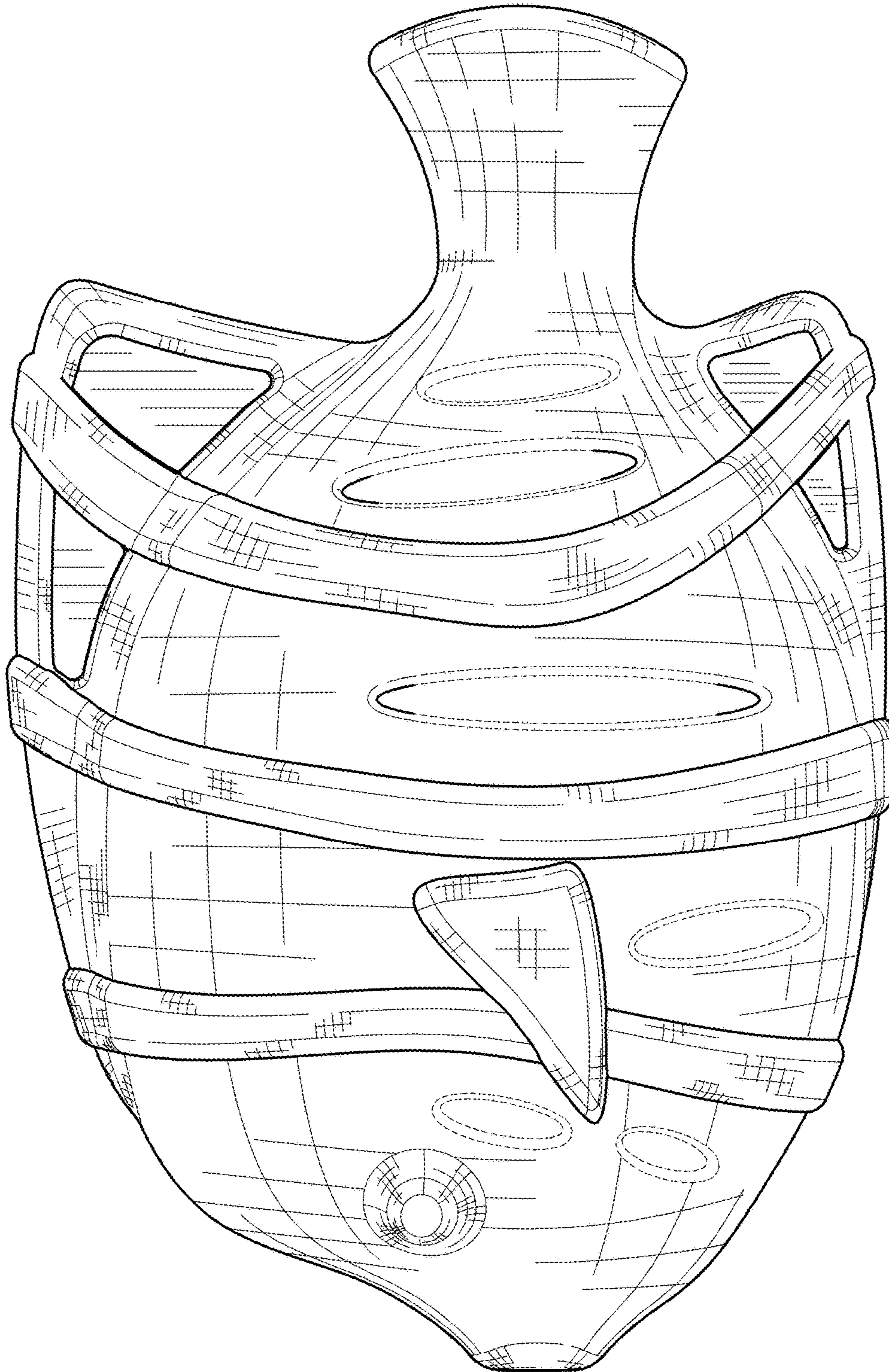


FIG. 3

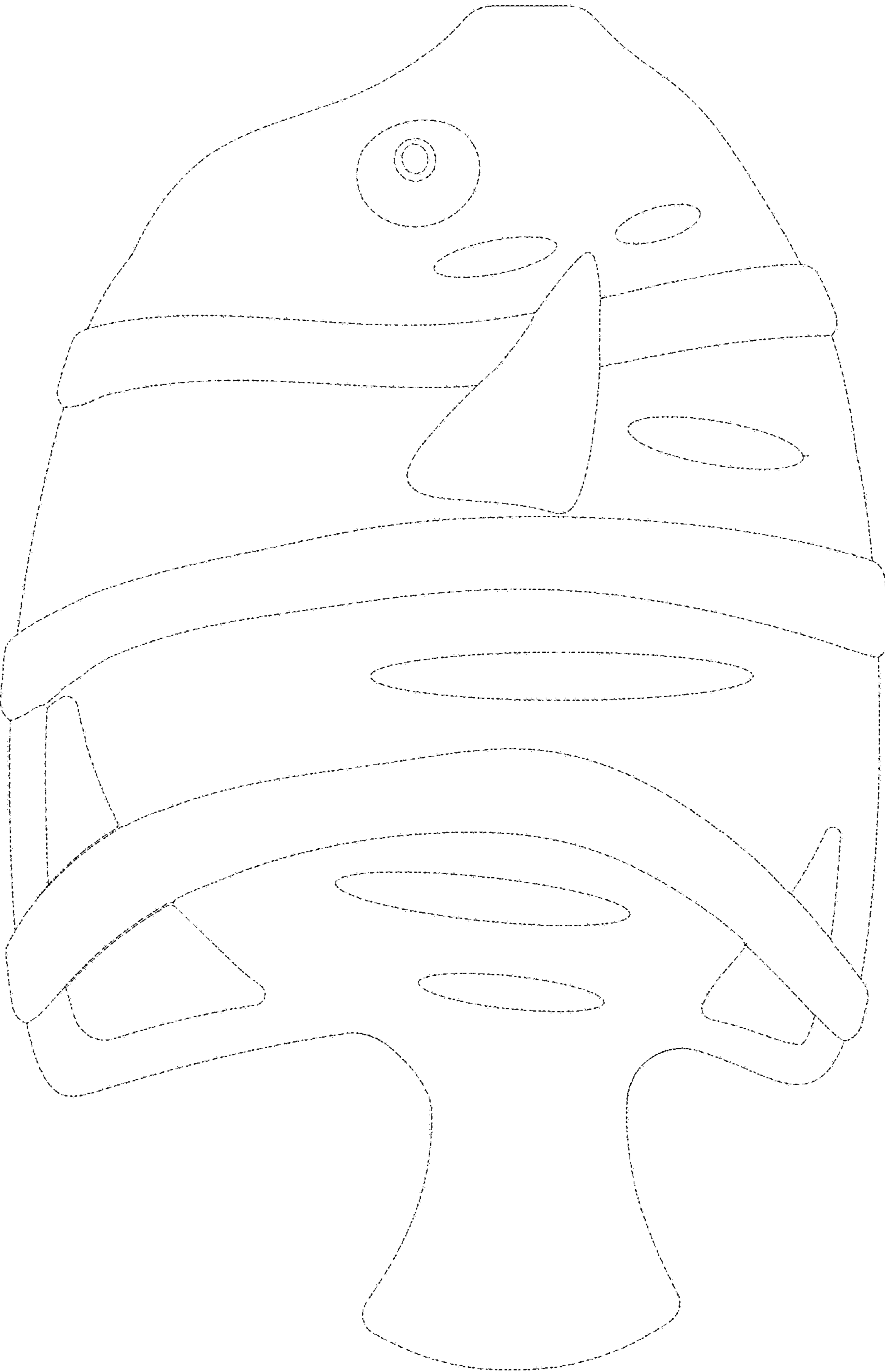


FIG. 4

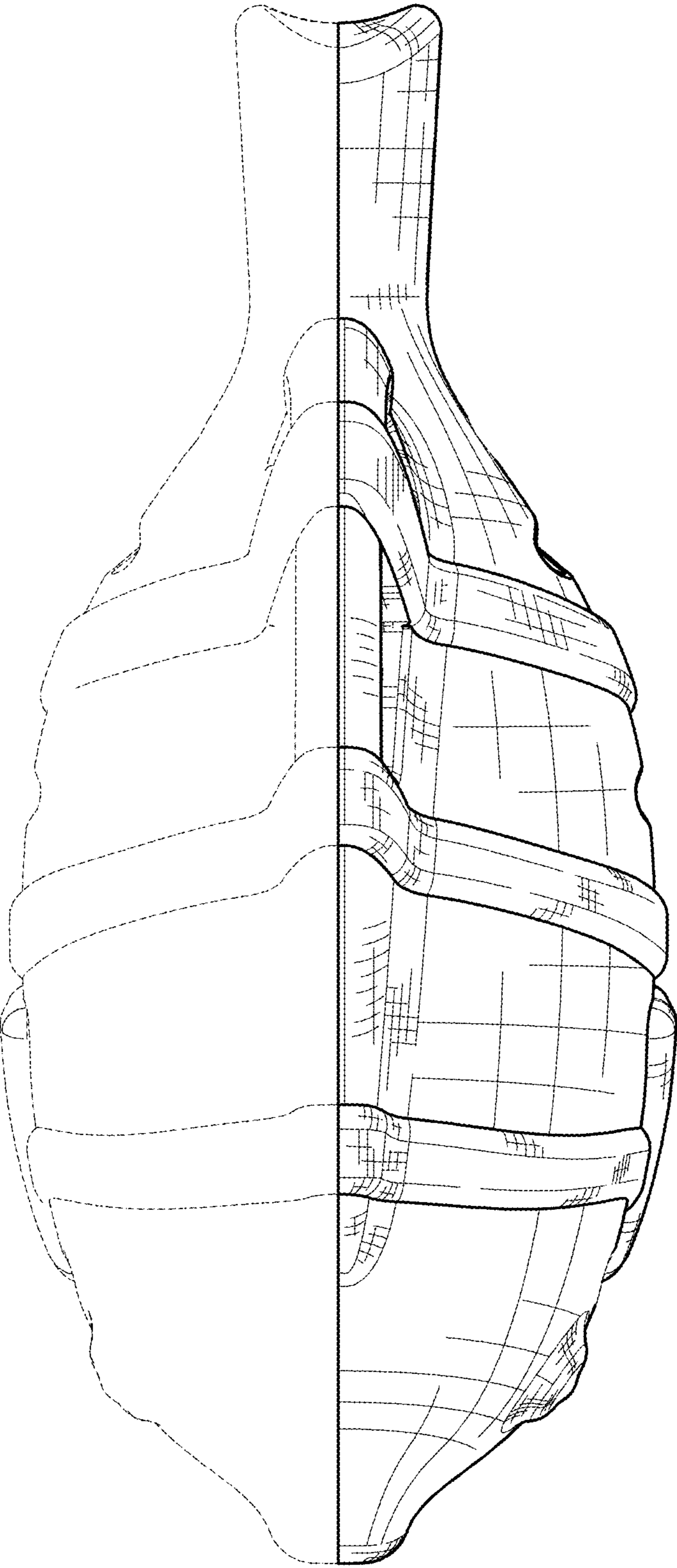


FIG. 5

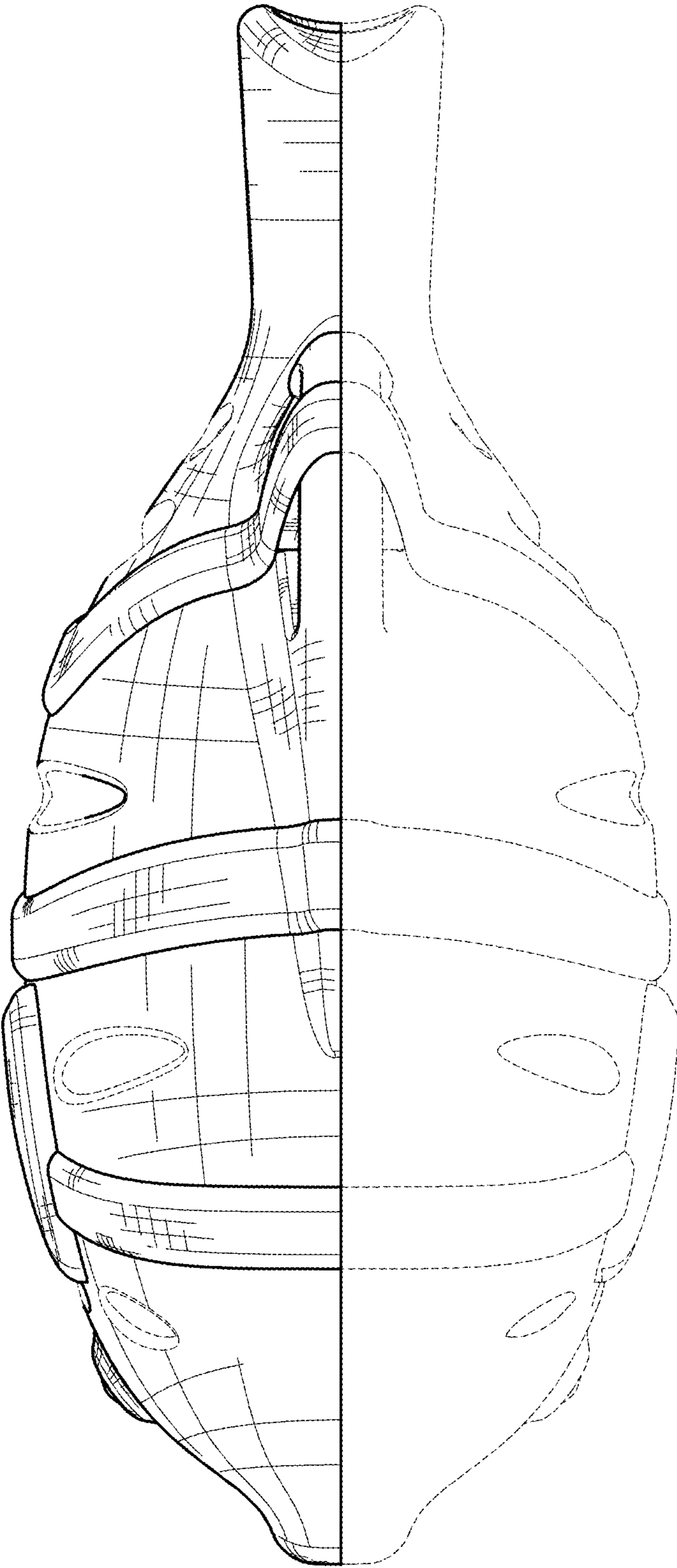


FIG. 6

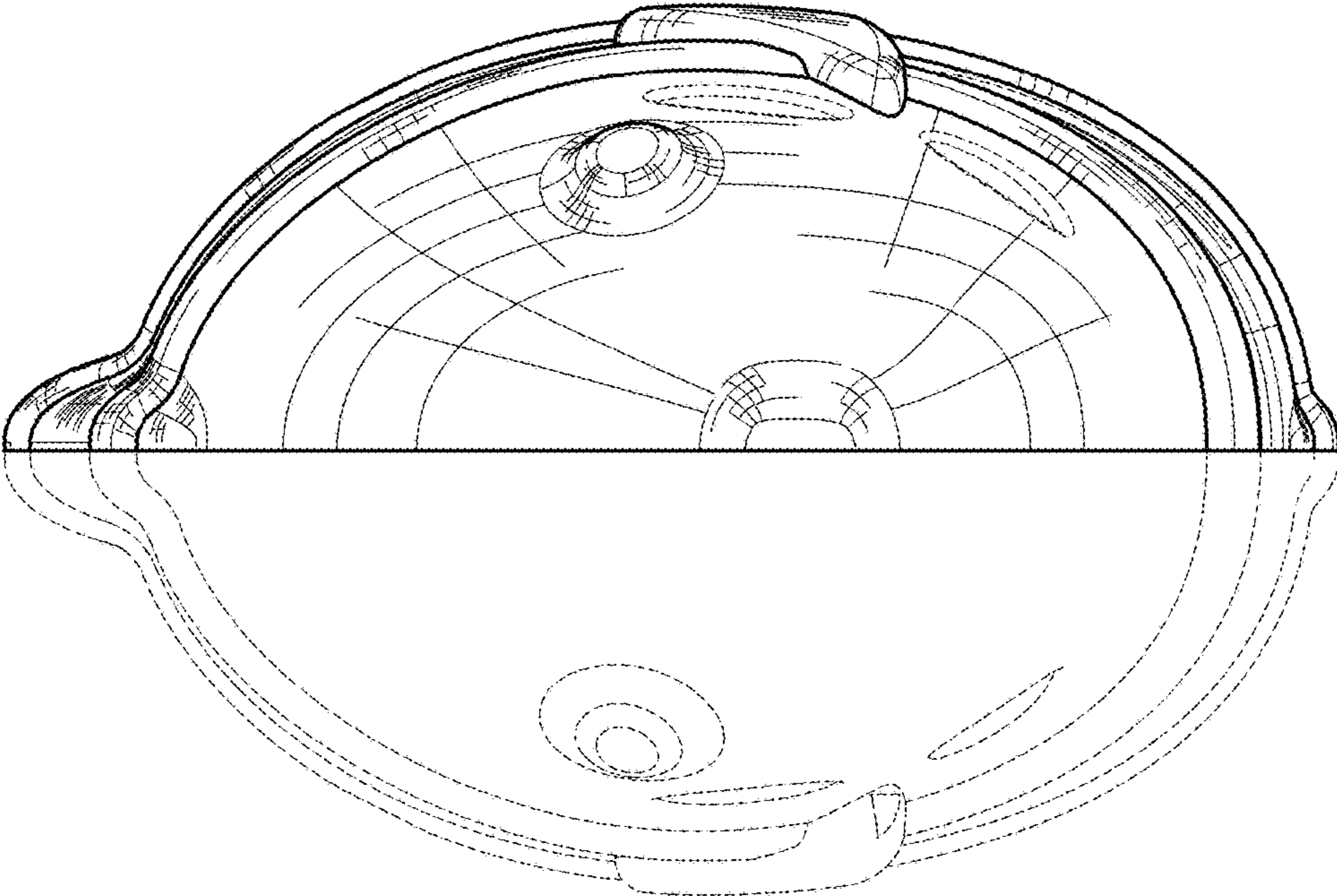


FIG. 7

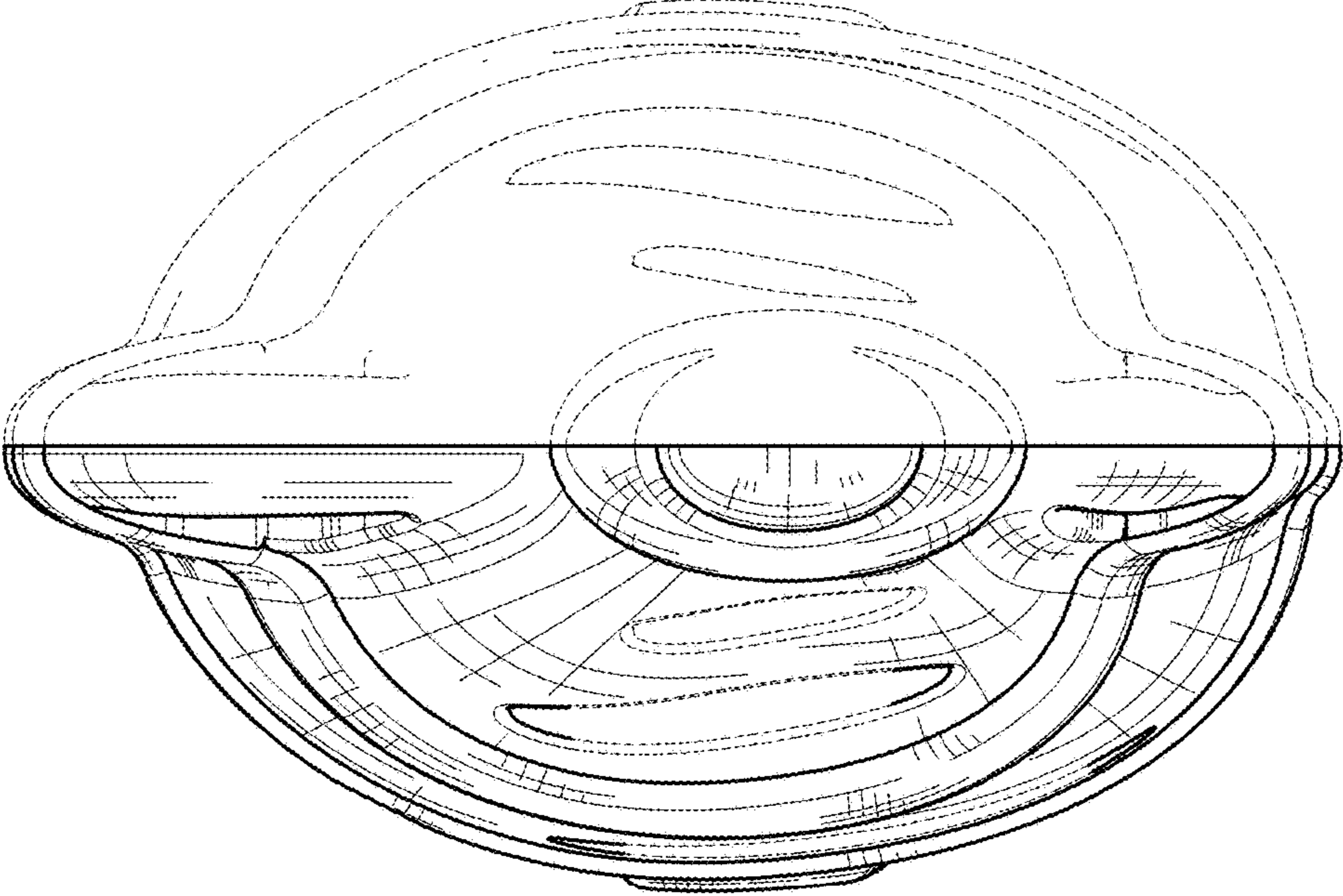


FIG. 8