



US00D779031S

(12) **United States Design Patent** (10) **Patent No.:** **US D779,031 S**
von Mohr et al. (45) **Date of Patent:** **** Feb. 14, 2017**

(54) **FISHING ROD**
(71) Applicants: **Meo Mio, LLC**, Amelia Island, FL (US); **The Dennis G. Wyman Living Trust**, Fernandina Beach, FL (US)
(72) Inventors: **Paul J. von Mohr**, Fernandina Beach, FL (US); **Dennis G. Wyman**, Fernandina Beach, FL (US); **Adar Golad**, Hattem (NL)
(**) Term: **15 Years**
(21) Appl. No.: **29/537,861**
(22) Filed: **Aug. 28, 2015**
(51) **LOC (10) Cl.** **22-05**
(52) **U.S. Cl.**
USPC **D22/137**
(58) **Field of Classification Search**
USPC D22/137, 140, 141, 142
CPC A01K 91/00; A01K 87/06; F41A 19/35; A47L 9/26
See application file for complete search history.

2,672,304 A 3/1954 Kaufman
2,849,824 A 9/1958 McGee
2,873,547 A 2/1959 Coelho
3,005,215 A 10/1961 Colt et al.
3,052,055 A 9/1962 Hayward
3,084,467 A 4/1963 Bromwell
3,217,442 A 11/1965 Nygren
3,245,170 A 4/1966 Stewart MacDonald
3,365,834 A 1/1968 Krefl
3,390,479 A 7/1968 Hamilton
3,400,480 A 9/1968 Warsham
3,503,570 A 3/1970 Coshow
3,509,863 A 5/1970 Barker
3,656,252 A 4/1972 Sherman
3,812,589 A 5/1974 Schultheis
3,889,896 A 6/1975 O'Hara
(Continued)

FOREIGN PATENT DOCUMENTS

CA 2498793 8/2004
EP 2130432 12/2009
(Continued)

Primary Examiner — Manpreet Matharu
Assistant Examiner — Suzanne Tisdell
(74) *Attorney, Agent, or Firm* — Richard S. Vermut

(57) **CLAIM**

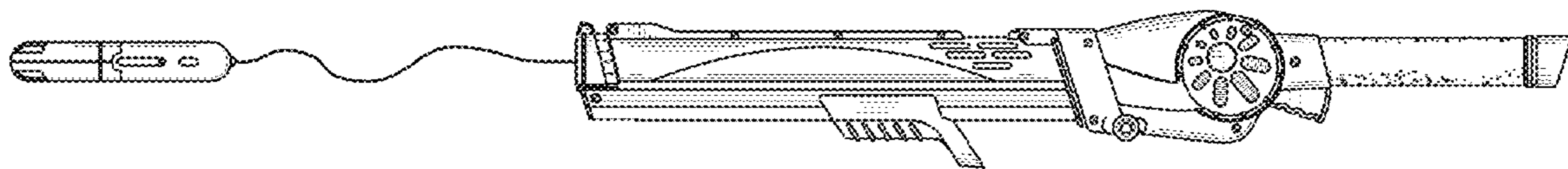
The ornamental design for a fishing rod, as shown and described.

DESCRIPTION

FIG. 1 is a right side view of the new design for the fishing rod;
FIG. 2 is a left side view thereof;
FIG. 3 is a top view thereof;
FIG. 4 is a bottom view thereof;
FIG. 5 is a front view thereof; and,
FIG. 6 is a back view thereof.

1 Claim, 3 Drawing Sheets

(56) **References Cited**
U.S. PATENT DOCUMENTS
1,140,608 A 5/1915 Phillips
1,469,883 A 10/1923 Brakers
1,473,507 A 11/1923 Obermaier
2,029,188 A * 1/1936 Potter A01K 87/06
43/22
2,218,045 A 10/1940 Martellucci
2,225,719 A 12/1940 Shotton
2,247,561 A 7/1941 Rowe
2,529,901 A 11/1950 Behrens
2,569,604 A 10/1951 Hall
2,605,569 A 8/1952 Kronhaus et al.
2,645,218 A 7/1953 Fisher
2,662,329 A 12/1953 Henry



(56)

References Cited

U.S. PATENT DOCUMENTS

3,941,397 A 3/1976 Kidder et al.
 3,969,914 A 7/1976 Dennen
 4,005,764 A 2/1977 Terzian et al.
 4,018,002 A 4/1977 Holden
 4,040,198 A 8/1977 Skibo
 4,131,925 A 12/1978 Firth et al.
 4,161,679 A 7/1979 Kohn et al.
 4,276,714 A 7/1981 Albert et al.
 4,301,372 A 11/1981 Giering et al.
 4,339,889 A 7/1982 Guerrero et al.
 4,467,555 A 8/1984 Terzian et al.
 4,474,366 A 10/1984 Reider
 4,602,360 A 7/1986 Porcelli
 4,665,839 A 5/1987 Heyl
 4,682,437 A 7/1987 Akerberg
 4,719,992 A 1/1988 Elward et al.
 5,060,413 A * 10/1991 Garcia F41A 19/35
 43/19
 5,104,056 A 4/1992 Jannotta et al.
 5,193,298 A 3/1993 O'Neill
 5,261,882 A 11/1993 Sealfon
 5,336,189 A 8/1994 Sealfon
 RE35,249 E 5/1996 Sealfon
 D396,262 S 7/1998 Burdick
 D407,136 S 3/1999 Merrill et al.

5,926,991 A 7/1999 Chesnut
 5,956,884 A * 9/1999 Goodrich A01K 87/06
 43/22
 6,121,864 A 9/2000 Tillmann
 6,151,826 A * 11/2000 Grice A01K 87/06
 43/22
 6,374,534 B1 4/2002 Takizawa
 D466,580 S 12/2002 Lu
 6,510,645 B2 1/2003 Oguri
 D470,213 S 2/2003 Smith et al.
 6,581,318 B1 6/2003 Lu
 D492,384 S * 6/2004 Saraya D22/142
 6,880,286 B2 4/2005 Wyman et al.
 D518,868 S * 4/2006 von Mohr D22/137
 D590,911 S 4/2009 Mohr et al.
 D757,210 S * 5/2016 Kiyota D22/142
 2010/0064571 A1 * 3/2010 McCune A01K 87/06
 43/22
 2014/0259862 A1 * 9/2014 Malcarne A01K 87/08
 43/4.5
 2016/0044903 A1 * 2/2016 Grahl A01K 87/08
 43/23

FOREIGN PATENT DOCUMENTS

FR 1139086 6/1975
 WO 8503199 8/1985

* cited by examiner

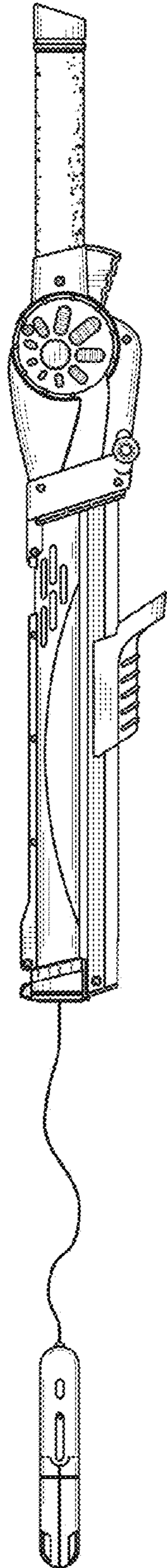


Fig. 1

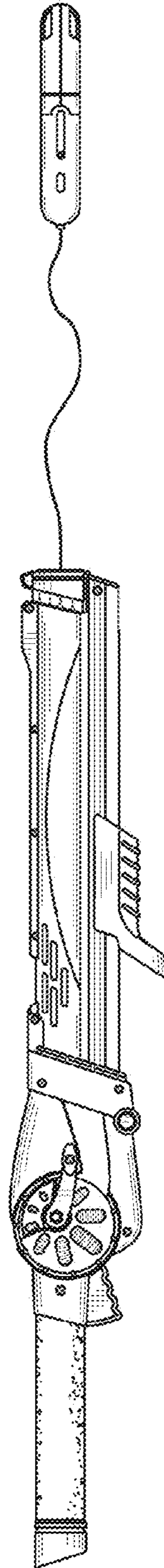


Fig. 2

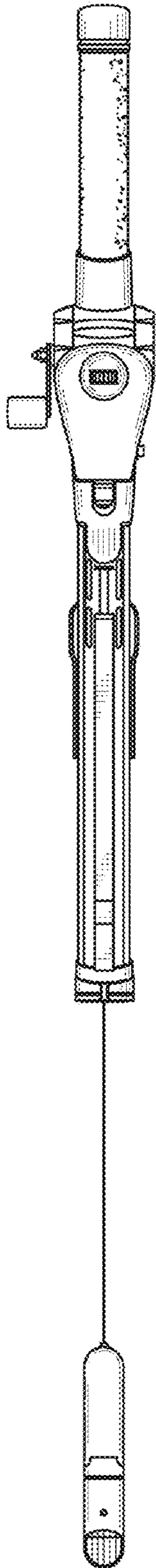


Fig. 3

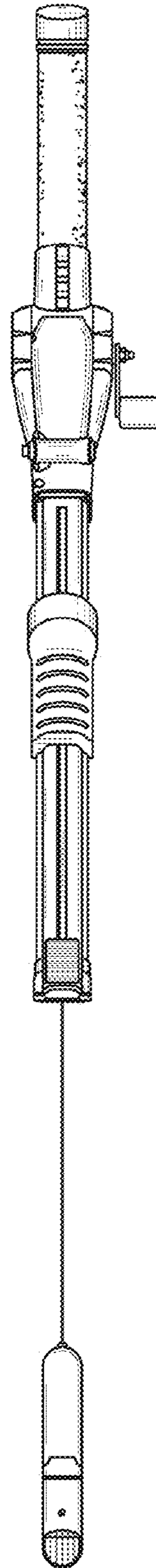


Fig. 4

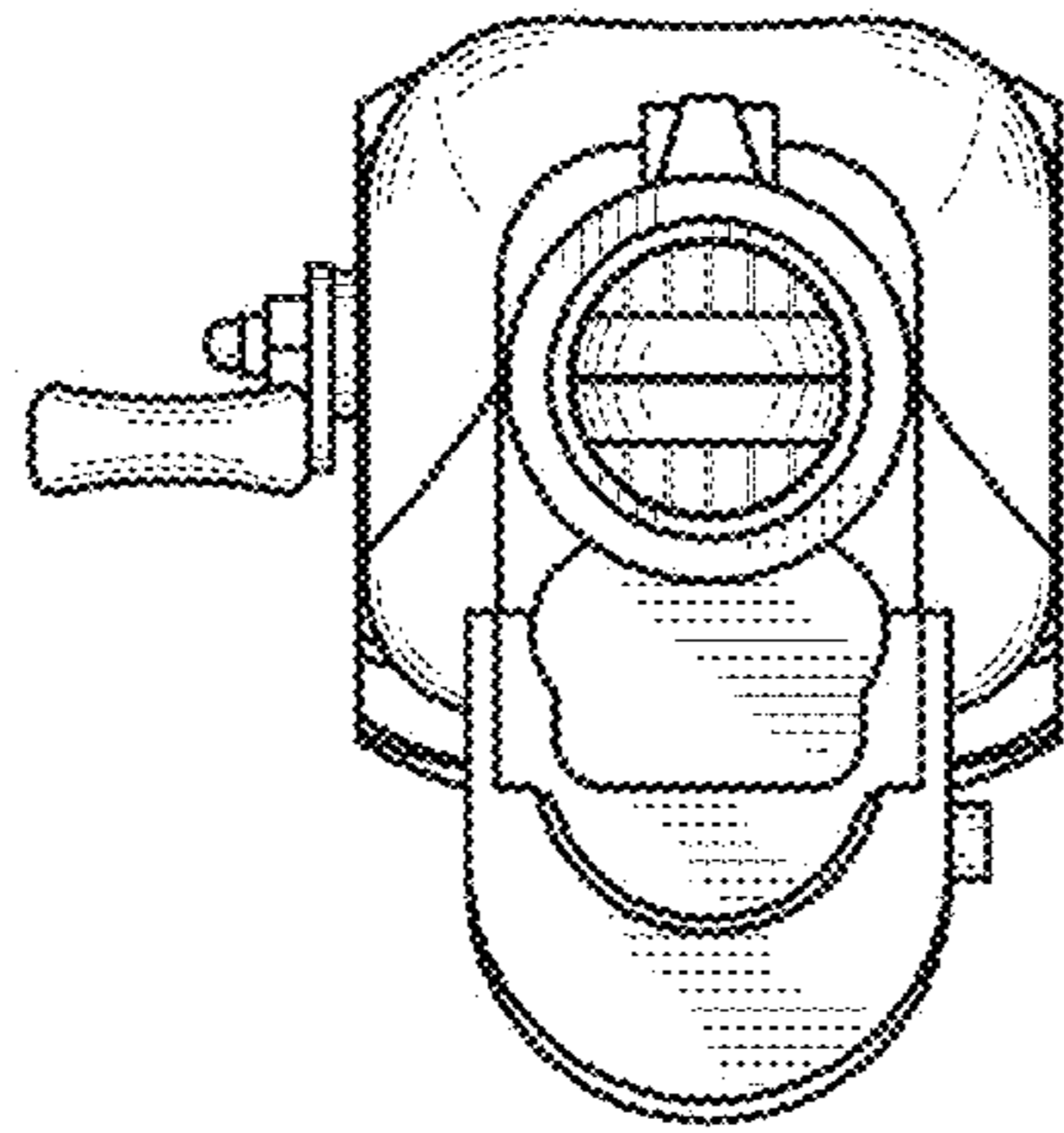


Fig. 5

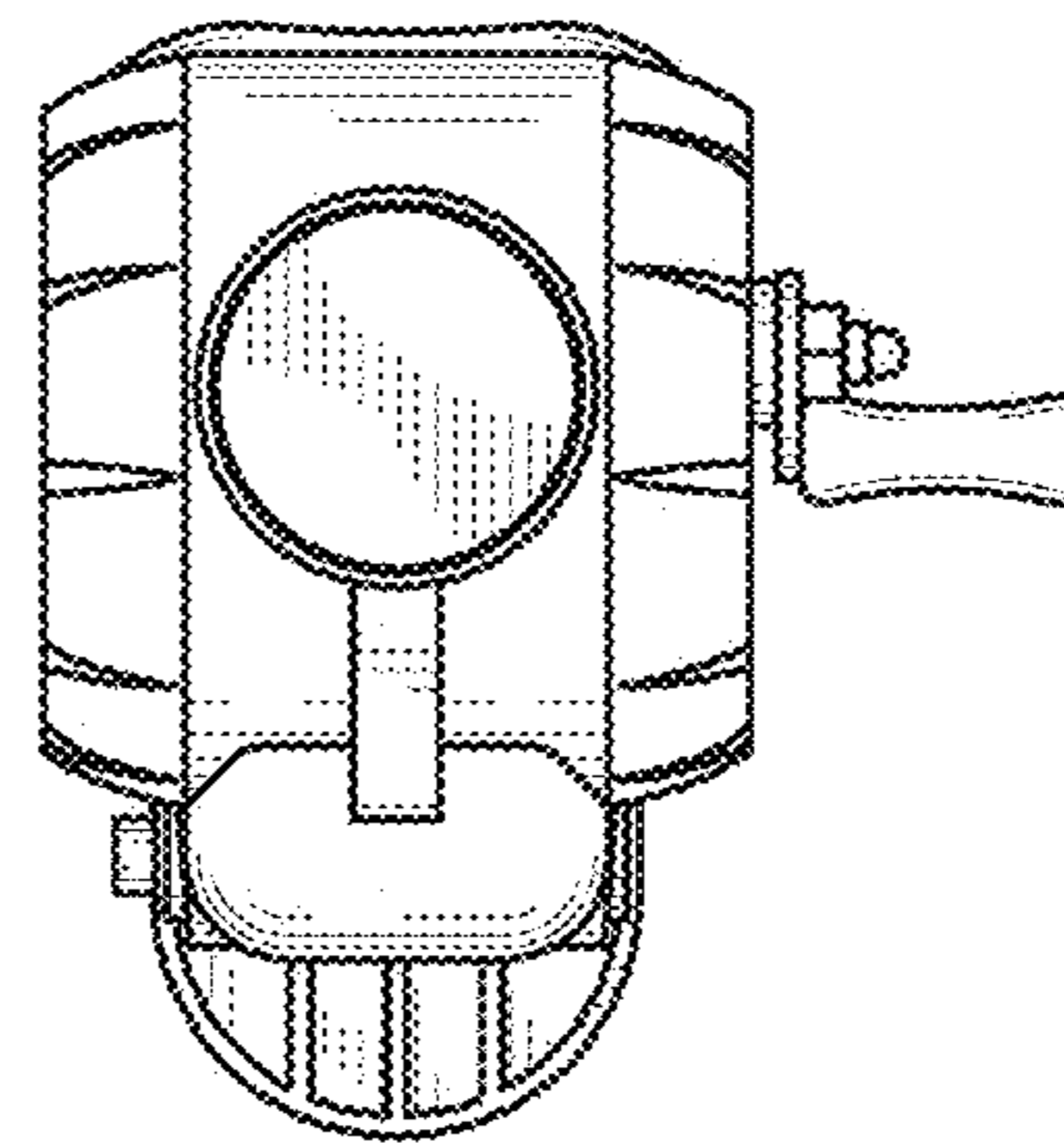


Fig. 6