



US00D779029S

(12) **United States Design Patent**
Burkwhat

(10) **Patent No.:** **US D779,029 S**

(45) **Date of Patent:** **** Feb. 14, 2017**

(54) **FISHING JIG**

(74) *Attorney, Agent, or Firm* — Alston & Bird LLP

(71) Applicant: **Isaac Burkwhat**, Jenkinsburg, GA (US)

(72) Inventor: **Isaac Burkwhat**, Jenkinsburg, GA (US)

(57) **CLAIM**

(73) Assignee: **Isaac Burkwhat**, Jenkinsburg, GA (US)

I claim the ornamental design for a fishing jig, as shown and described.

(**) Term: **15 Years**

(21) Appl. No.: **29/531,738**

(22) Filed: **Jun. 29, 2015**

DESCRIPTION

(51) **LOC (10) Cl.** **22-05**

(52) **U.S. Cl.**
USPC **D22/132**

(58) **Field of Classification Search**
USPC D22/126, 127, 128, 129, 130, 131, 132,
D22/133, 135, 144
CPC A01K 85/00; A01K 85/01; A01K 85/02;
A01K 85/10; A01K 85/16; A01K 85/18
See application file for complete search history.

FIG. 1 is a perspective view of a first embodiment of a fishing jig showing the new design;
FIG. 2 is a front elevation view of the fishing jig of FIG. 1;
FIG. 3 is a rear elevation view of the fishing jig of FIG. 1;
FIG. 4 is a left side elevation view of the fishing jig of FIG. 1;
FIG. 5 is a right side elevation view of the fishing jig of FIG. 1;
FIG. 6 is a top plan view of the fishing jig of FIG. 1;
FIG. 7 is a bottom plan view of the fishing jig of FIG. 1;
FIG. 8 is a perspective view of a second embodiment of a fishing jig showing the new design;
FIG. 9 is a front elevation view of the fishing jig of FIG. 8;
FIG. 10 is a rear elevation view of the fishing jig of FIG. 8;
FIG. 11 is a left side elevation view of the fishing jig of FIG. 8;
FIG. 12 is a right side elevation view of the fishing jig of FIG. 8;
FIG. 13 is a top plan view of the fishing jig of FIG. 8; and,
FIG. 14 is a bottom plan view of the fishing jig of FIG. 8.
Broken lines shown immediate adjacent shaded areas represent bounds of the claimed design and unclaimed features. All other broken lines are directed to unclaimed features. The broken lines form no part of the claimed design.

(56) **References Cited**

U.S. PATENT DOCUMENTS

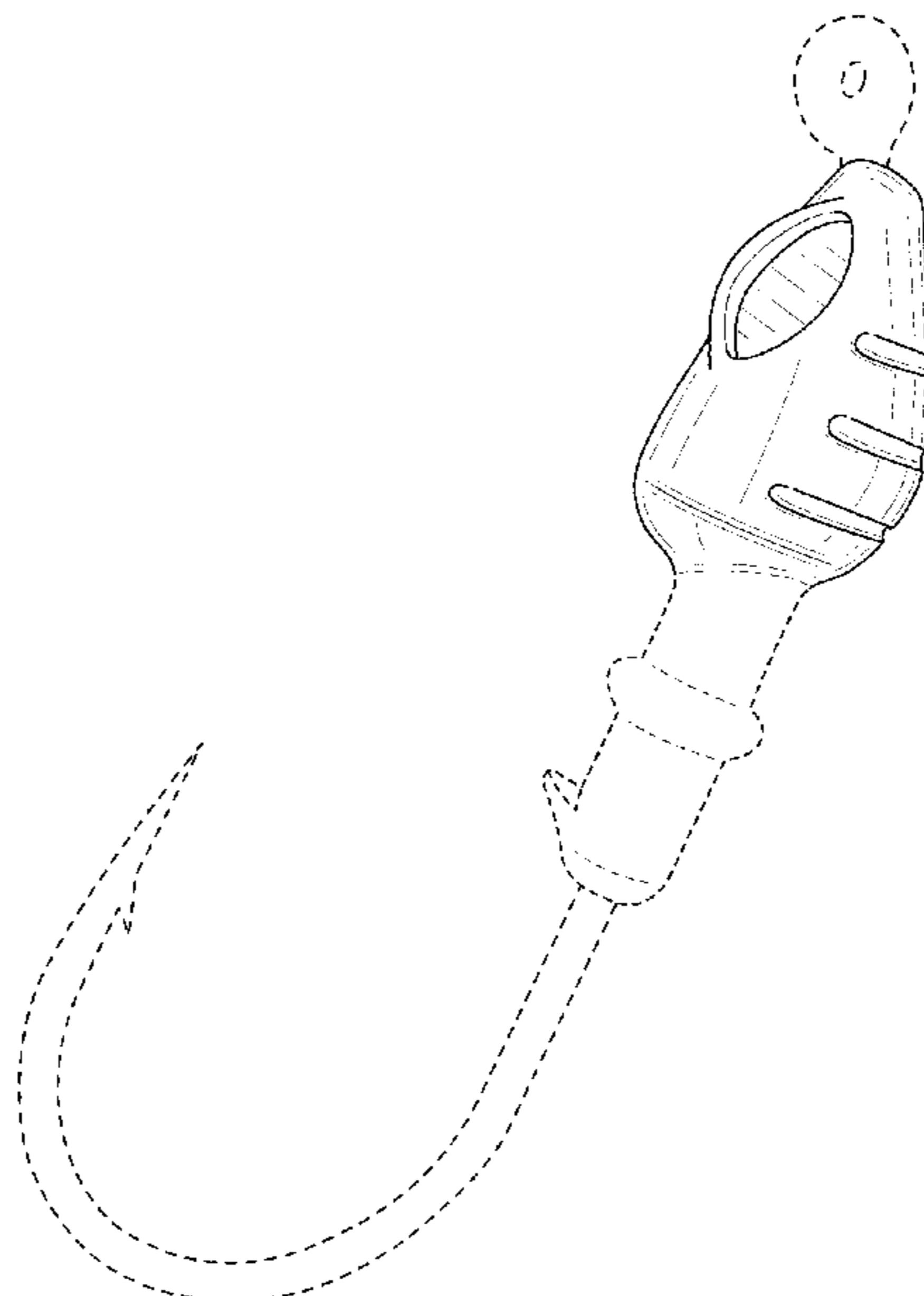
D371,594 S *	7/1996	Drapak	D22/144
D390,623 S *	2/1998	Phelps	D22/126
D487,913 S *	3/2004	Asada	D22/144
D609,304 S *	2/2010	Hatfield	D22/144
D616,060 S *	5/2010	Patrick	D22/144
D698,411 S *	1/2014	Bennis	D22/144
D698,412 S *	1/2014	Bennis	D22/144
D698,413 S *	1/2014	Bennis	D22/144
D742,995 S *	11/2015	Rye	D22/144
D751,664 S *	3/2016	Bennis	D22/144
D751,665 S *	3/2016	Bennis	D22/144
D754,810 S *	4/2016	Gibson	D22/144

(Continued)

Primary Examiner — Manpreet Matharu

Assistant Examiner — Suzanne Tisdell

1 Claim, 14 Drawing Sheets



(56)

References Cited

U.S. PATENT DOCUMENTS

D755,921	S *	5/2016	Nitta	D22/144
2007/0169399	A1 *	7/2007	More	A01K 91/04 43/44.83
2013/0276350	A1 *	10/2013	Smith	A01K 85/02 43/42.38
2013/0283668	A1 *	10/2013	Hansen	A01K 85/00 43/42.32
2015/0208624	A1 *	7/2015	Krohn	A01K 85/00 43/42.49
2015/0208626	A1 *	7/2015	Coniglio	A01K 85/16 43/42.24
2016/0165865	A1 *	6/2016	Korteweg	A01K 85/18 43/42.06

* cited by examiner

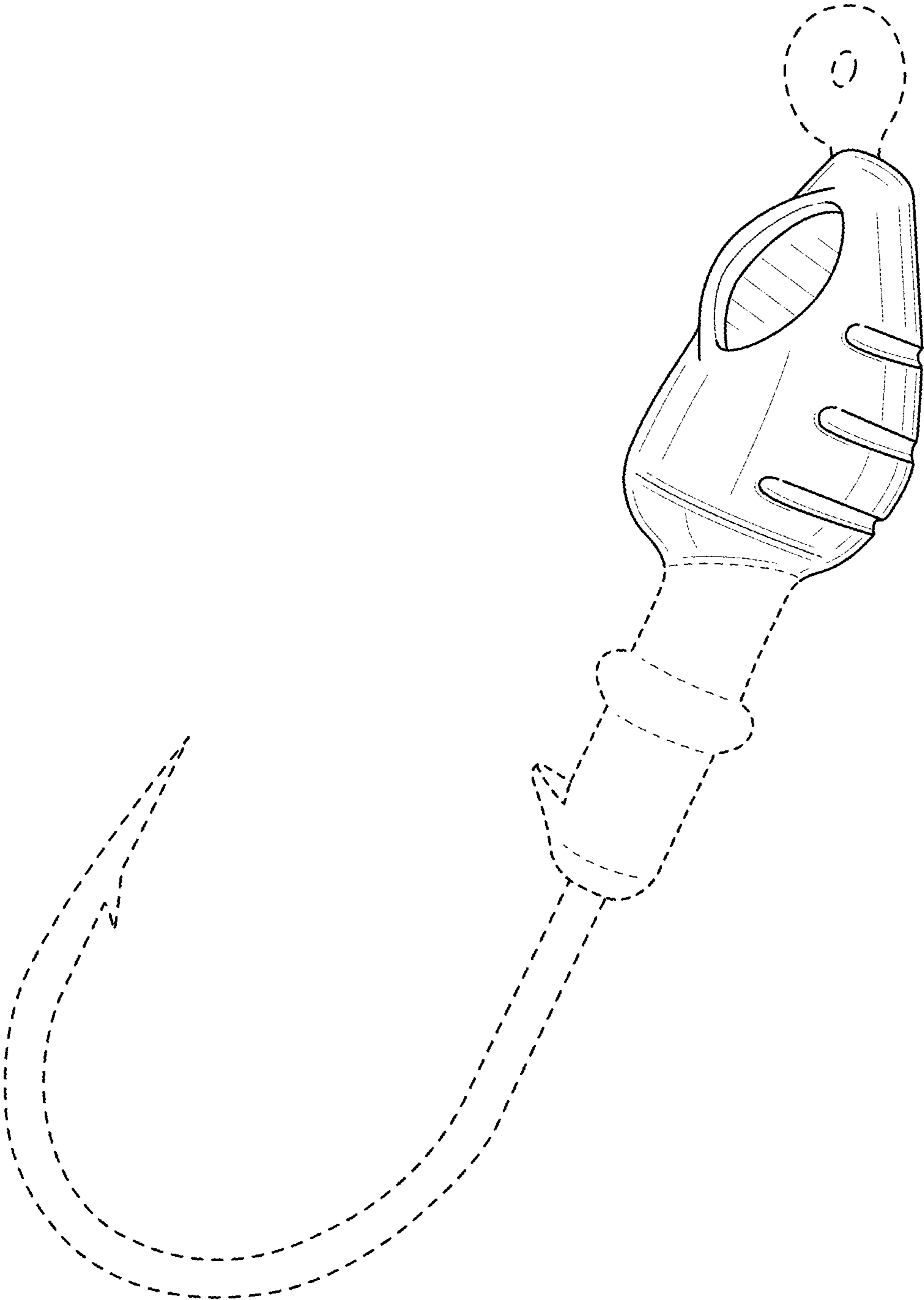


FIG. 1

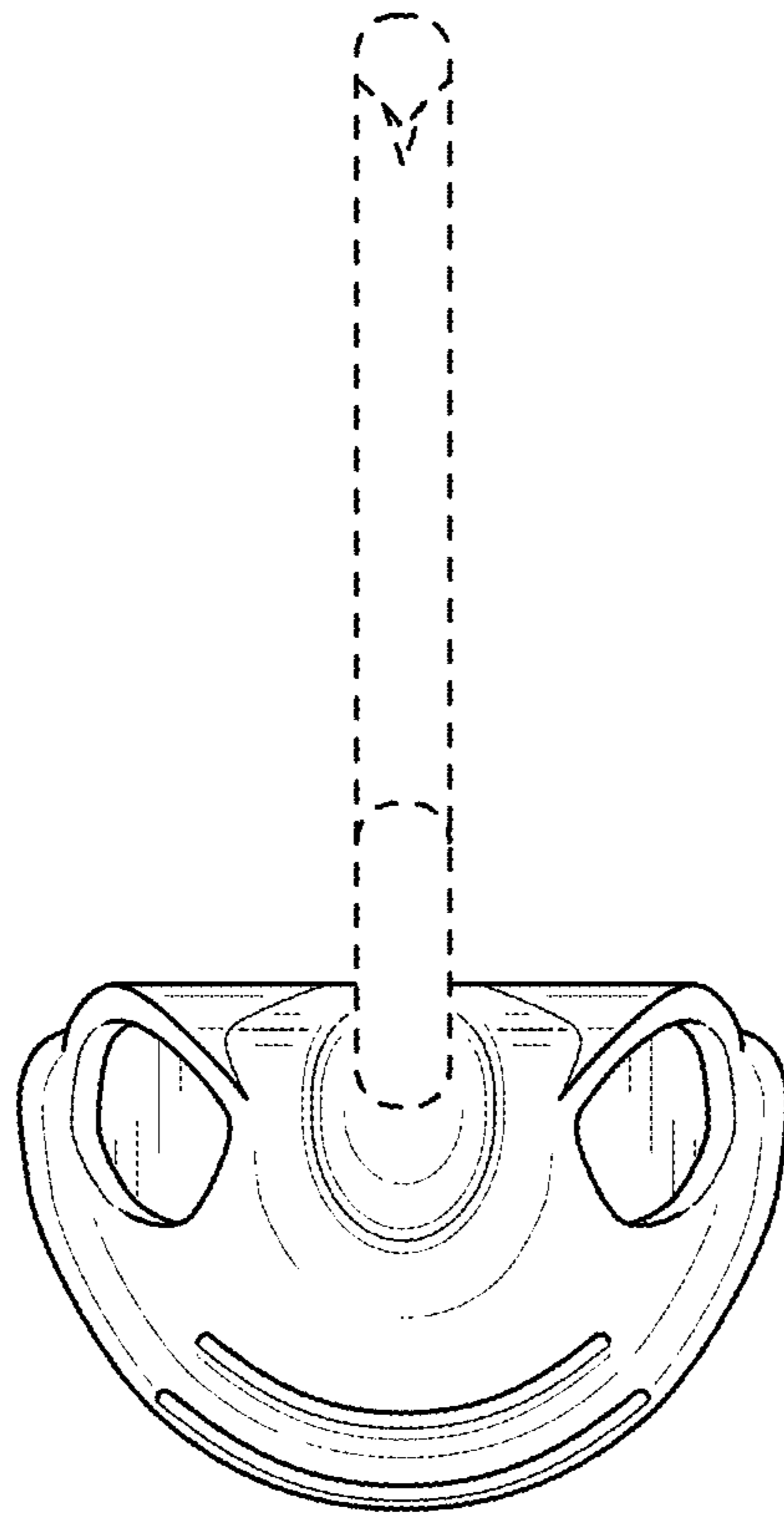


FIG. 2

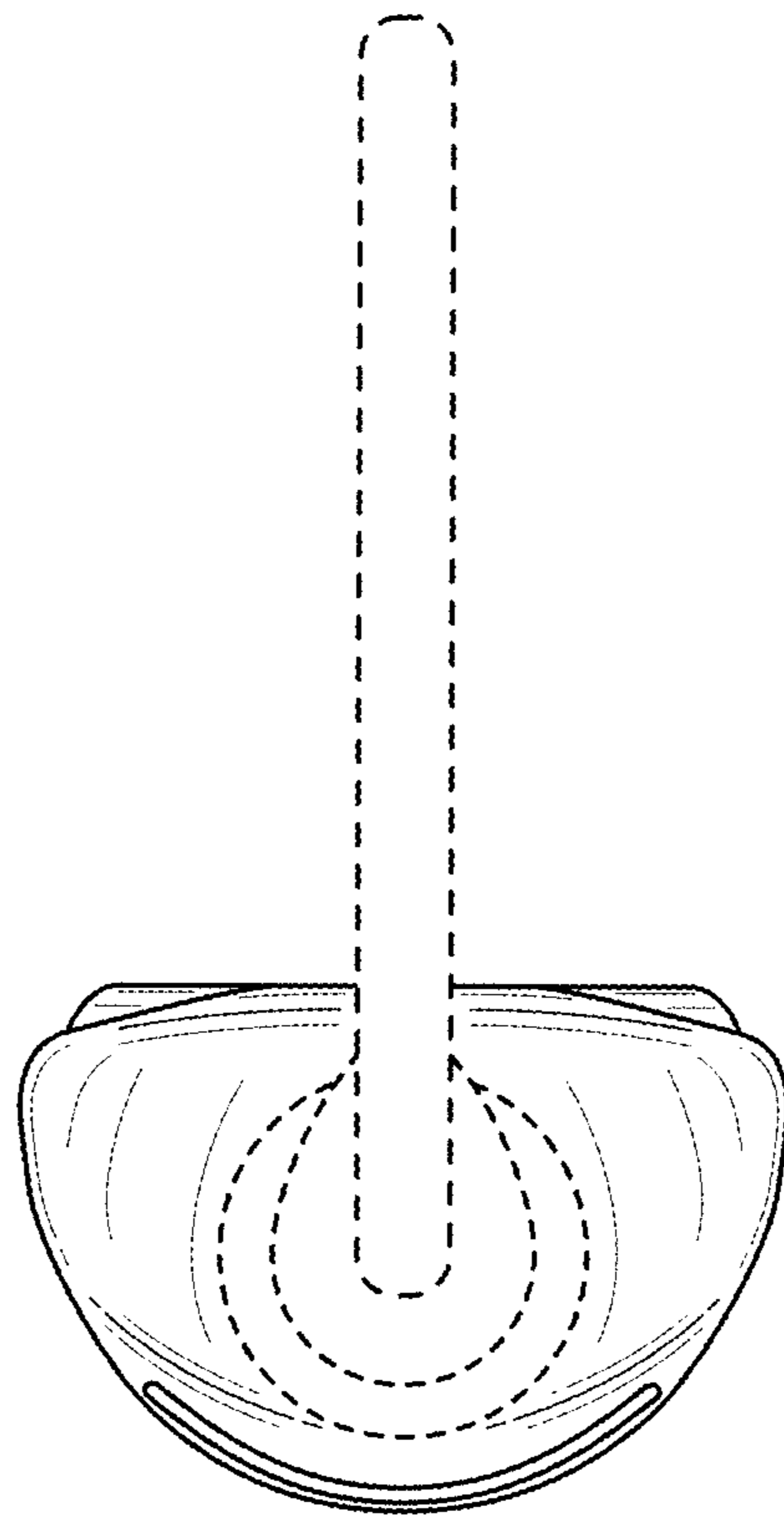


FIG. 3

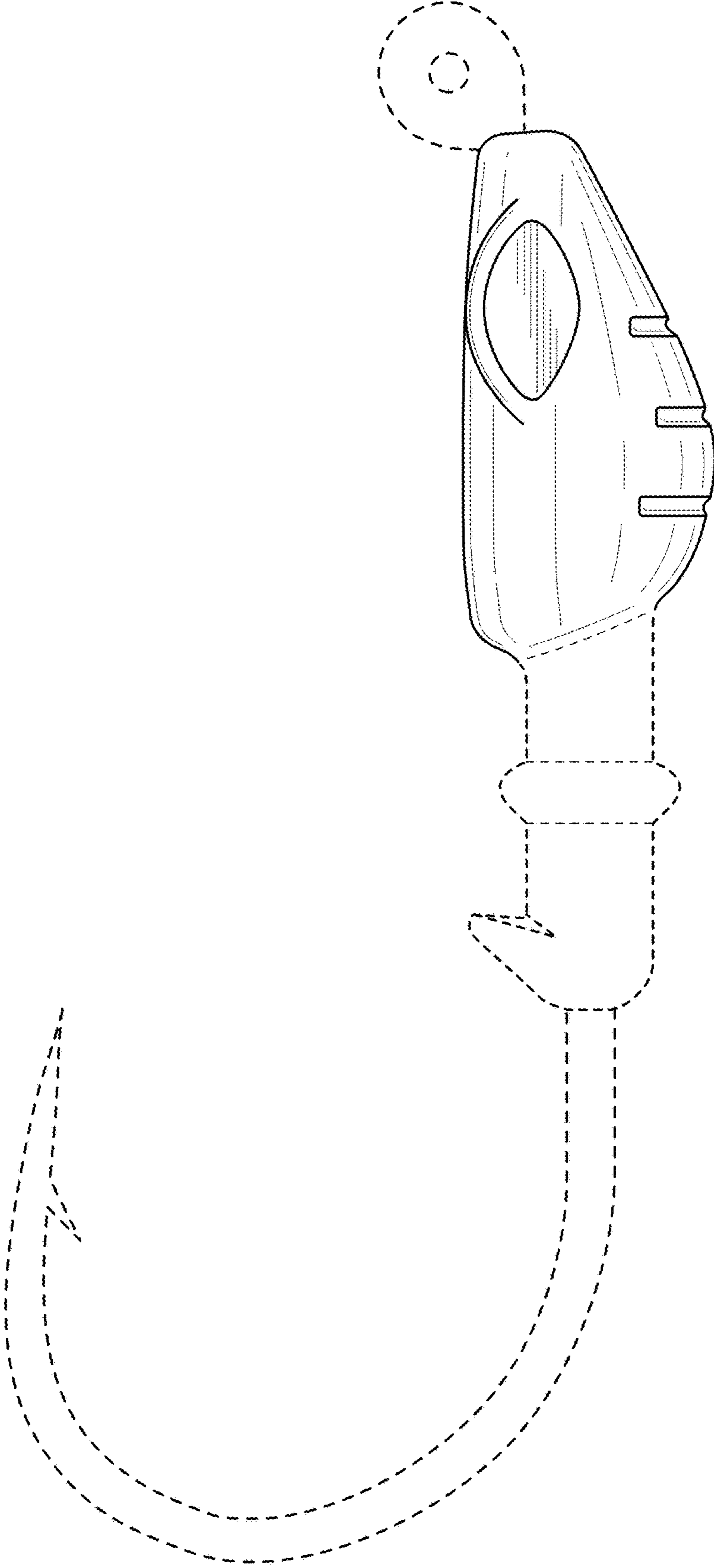


FIG. 4

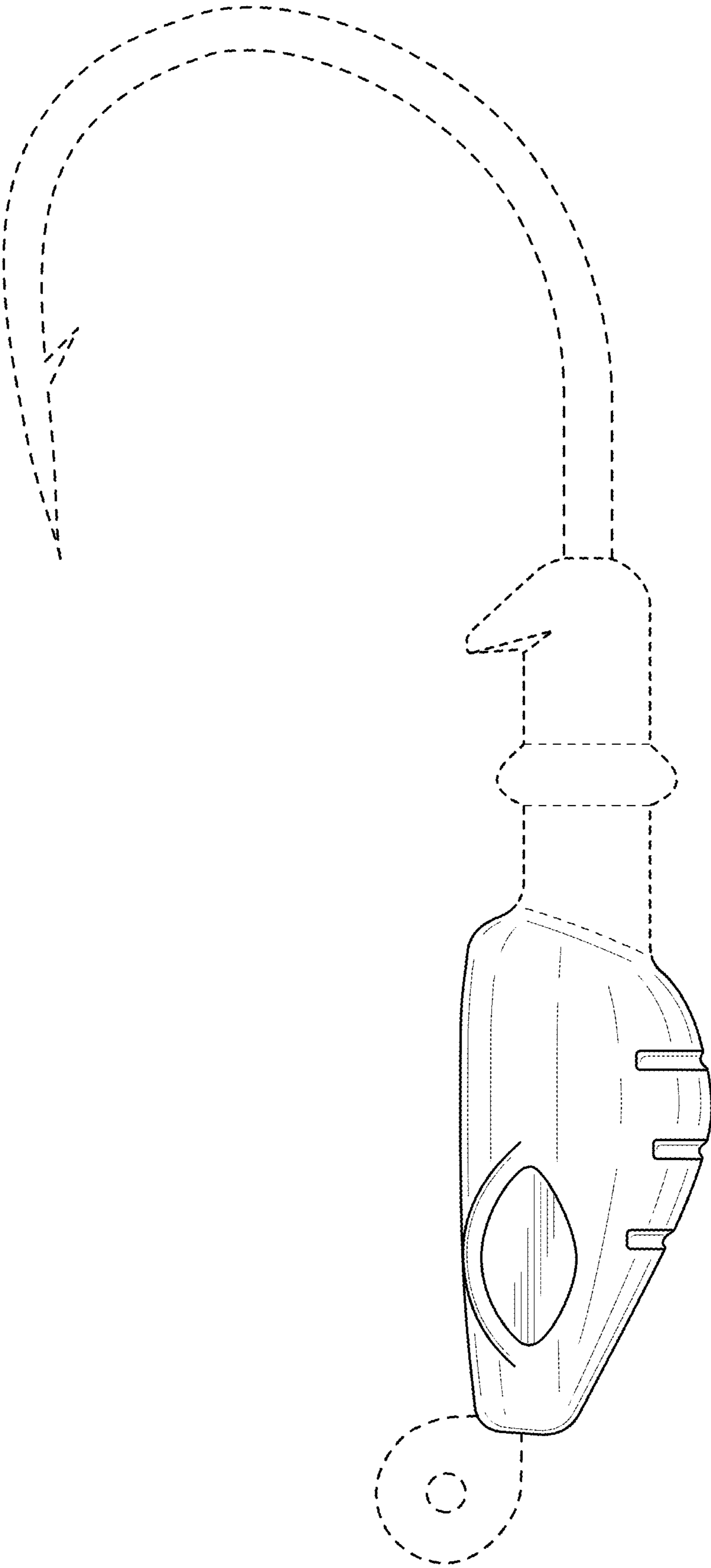


FIG. 5

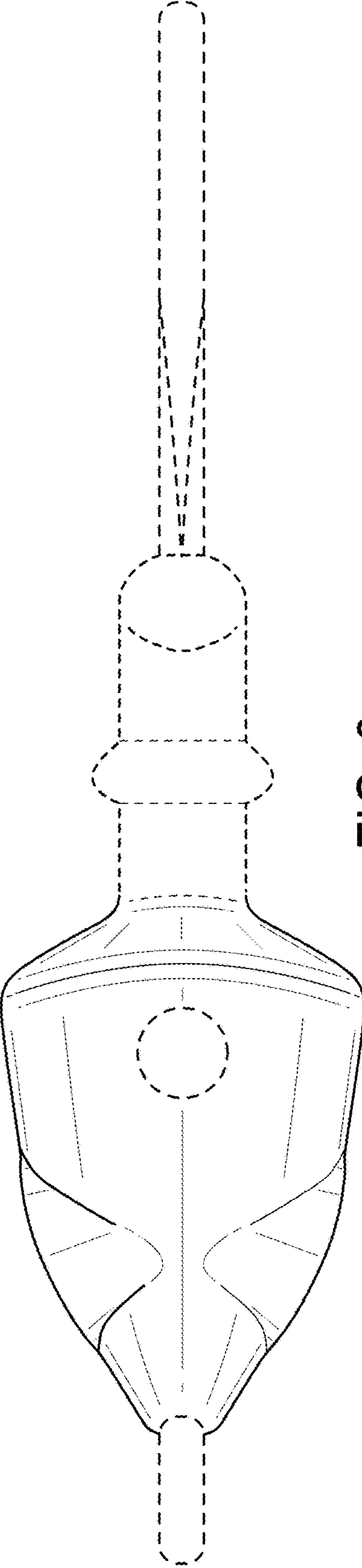


FIG. 6

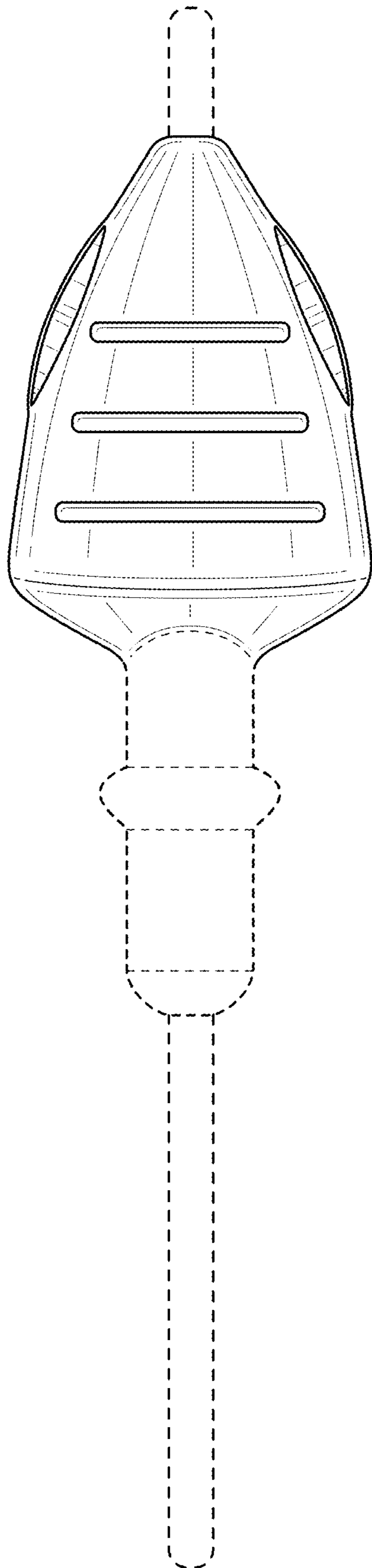


FIG. 7

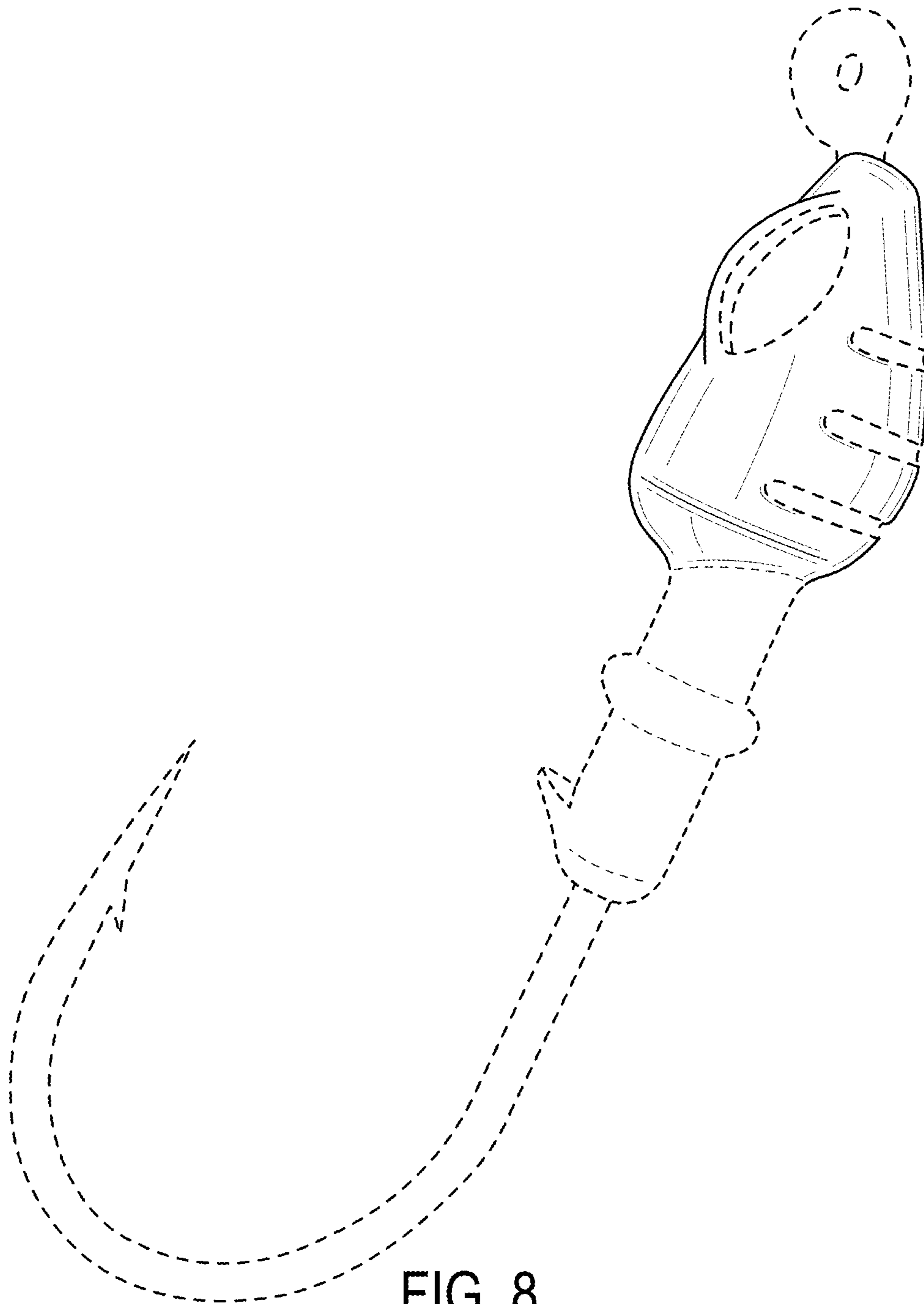


FIG. 8

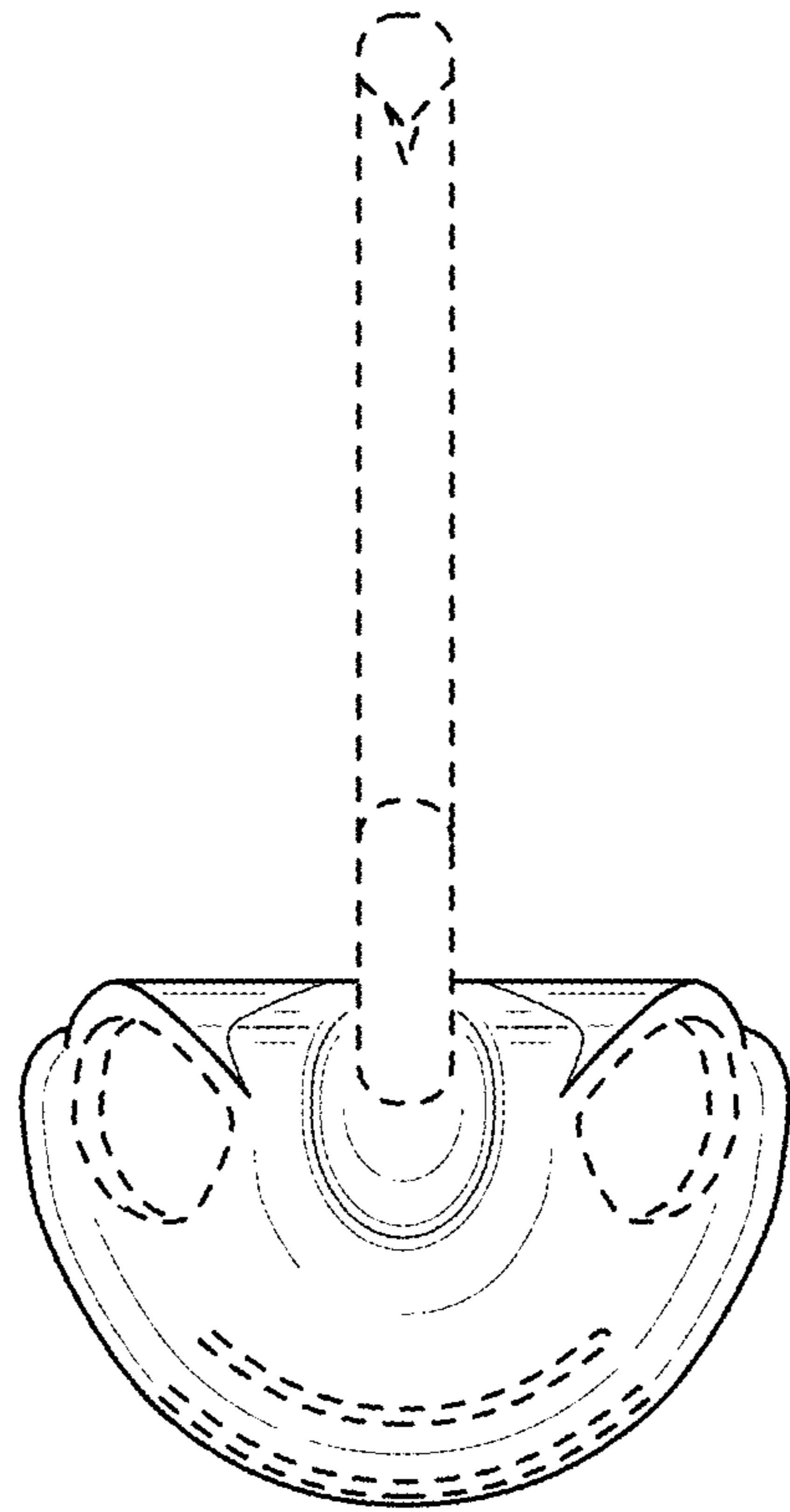


FIG. 9

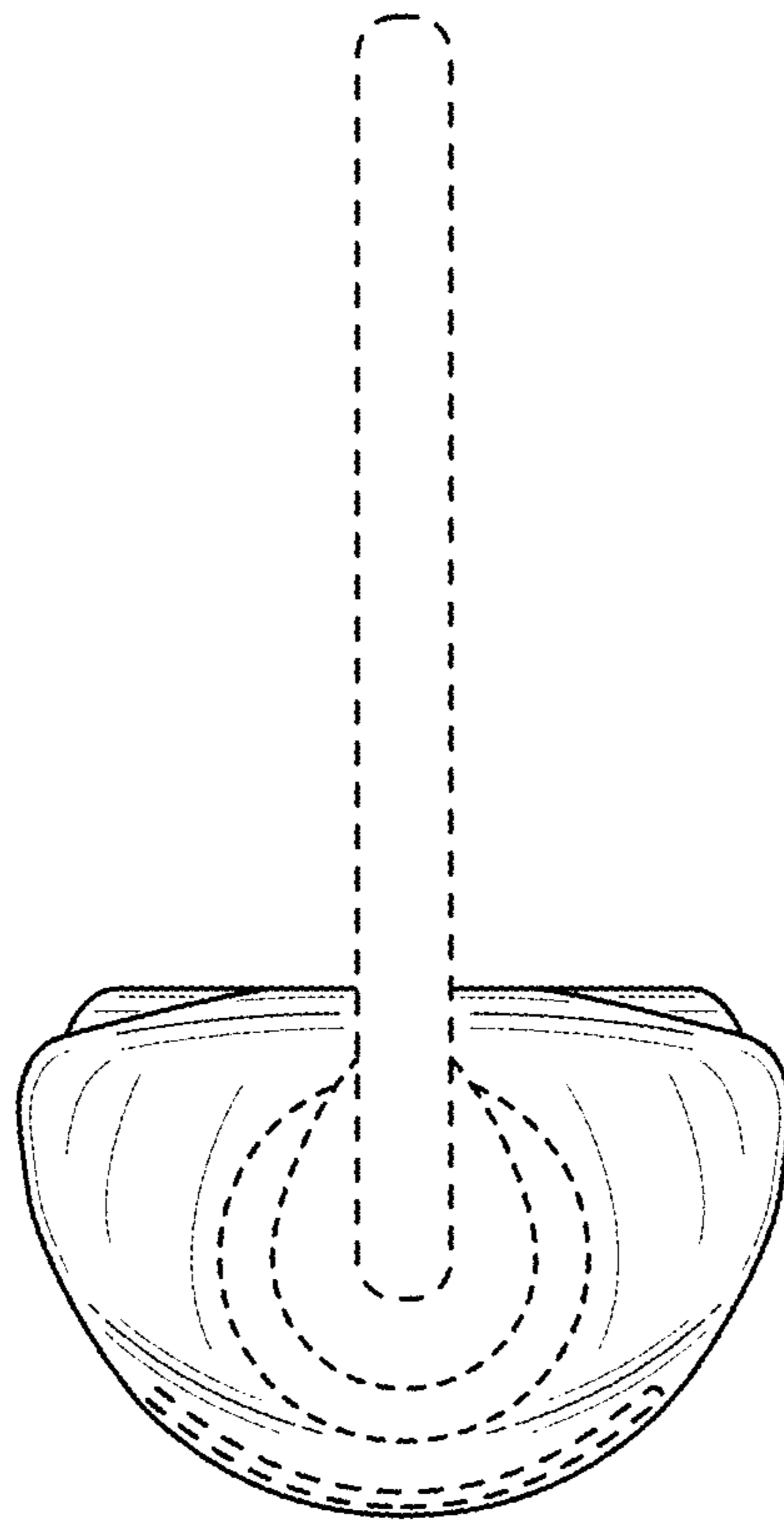


FIG. 10

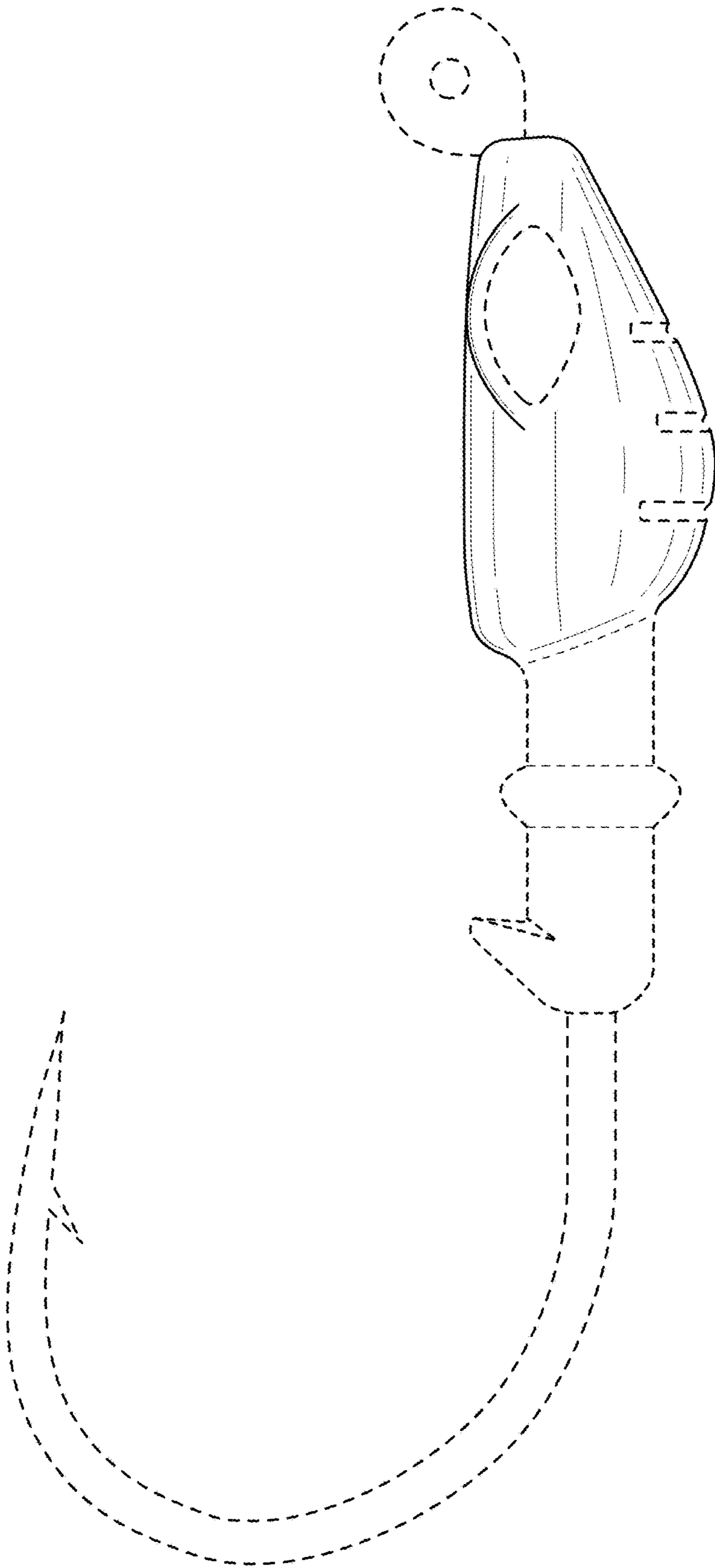


FIG. 11

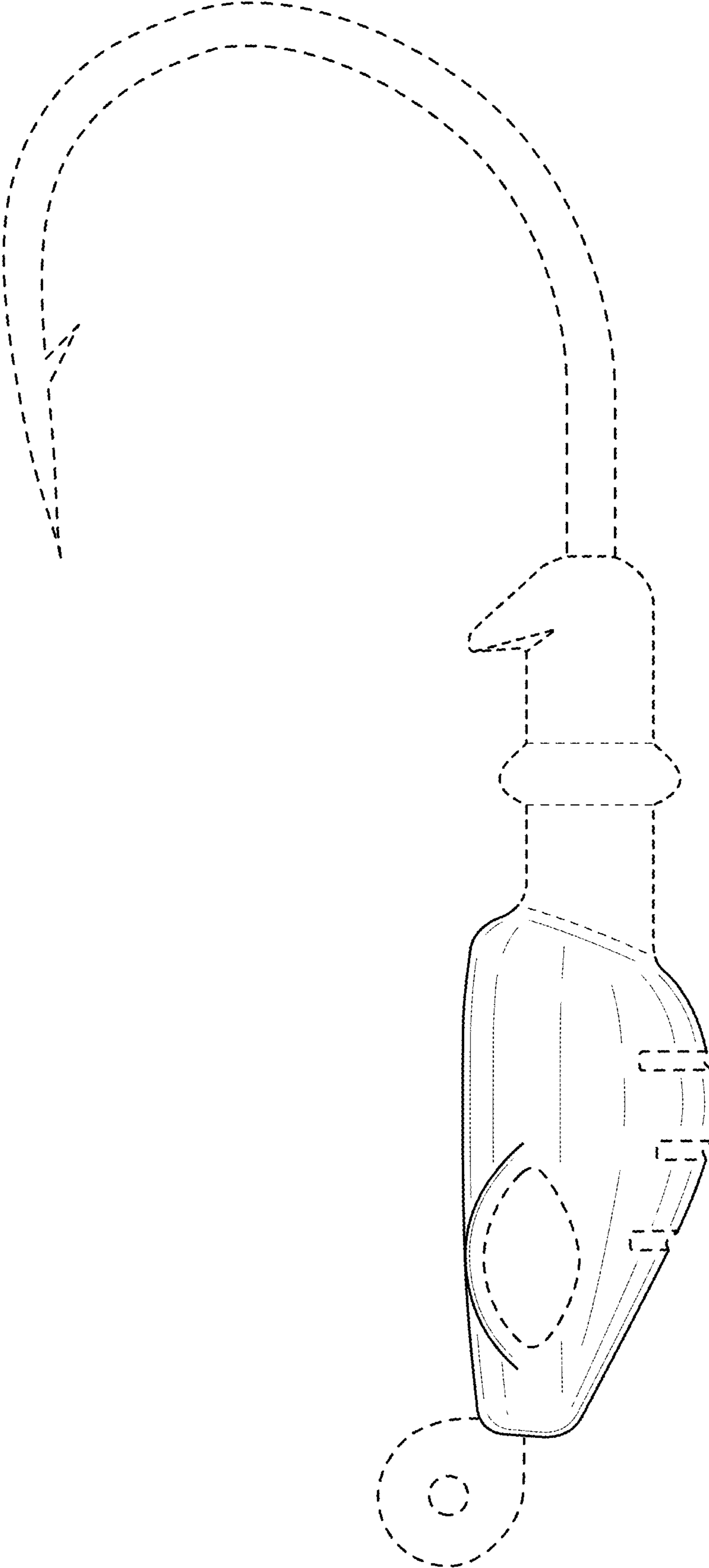


FIG. 12

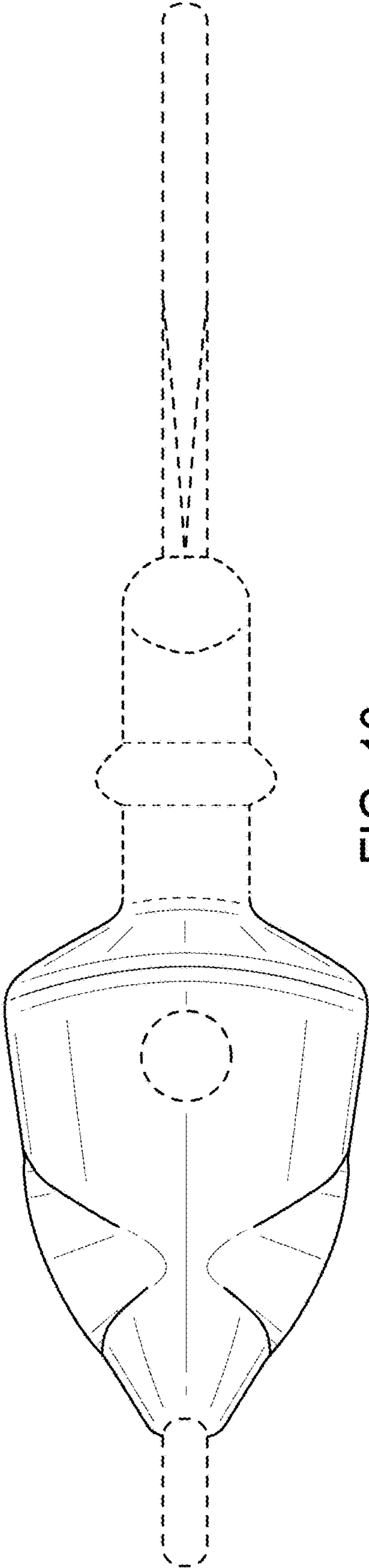


FIG. 13

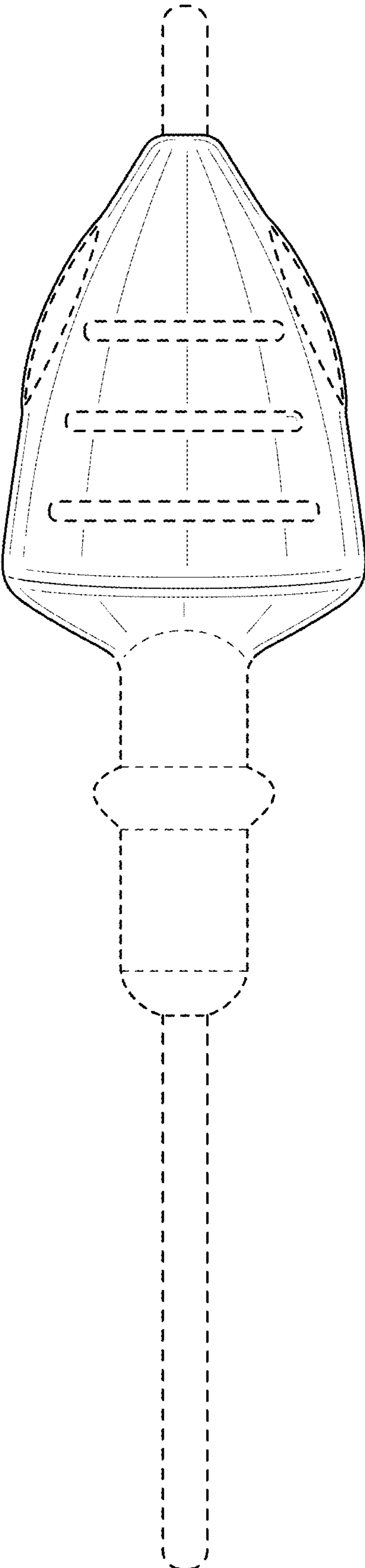


FIG. 14