



US00D779027S

(12) **United States Design Patent** (10) **Patent No.:** **US D779,027 S**
Zhang (45) **Date of Patent:** **** Feb. 14, 2017**

- (54) **ANIMAL REPELLER** 6,401,384 B1 * 6/2002 Contadini A01M 1/026
43/107
- (71) Applicant: **FORTUNE YOUNG CO., LIMITED,** D639,893 S * 6/2011 Feuerstein D22/120
Hong Kong (CN) D639,894 S * 6/2011 Feuerstein D22/120
D645,114 S * 9/2011 Krause D22/120
- (72) Inventor: **Jian Zhang,** Nanjing (CN) D693,900 S * 11/2013 Jan D22/120
D697,164 S * 1/2014 Jan D22/120
D724,172 S * 3/2015 Kuhnke D22/120
- (73) Assignee: **FORTUNE YOUNG CO., LIMITED,**
Wanchai, HK (CN)

* cited by examiner

(**) Term: **15 Years**

Primary Examiner — Catheri Oliver-Garcia

(21) Appl. No.: **29/553,763**

(74) *Attorney, Agent, or Firm* — Hudak, Shunk & Farine
Co. LPA

(22) Filed: **Feb. 4, 2016**

(51) **LOC (10) Cl.** **22-06**

(52) **U.S. Cl.**
USPC **D22/120**

(58) **Field of Classification Search**
USPC D22/119–124; 43/1, 107, 121, 124,
43/131–132.1; 119/719; D23/366–369
CPC A01M 1/08; A01M 1/106; A01M 1/026;
A01M 1/2011; A01M 29/00; A01M
29/12; A01M 29/16; A01M 29/34; A01M
29/28; A01M 31/008; A01M 2200/011;
A01M 2200/012; A01N 25/20; A01N
37/44; A01N 43/16; A01N 49/00
See application file for complete search history.

(57) **CLAIM**

The ornamental design for an “animal repeller,” as shown
and described.

DESCRIPTION

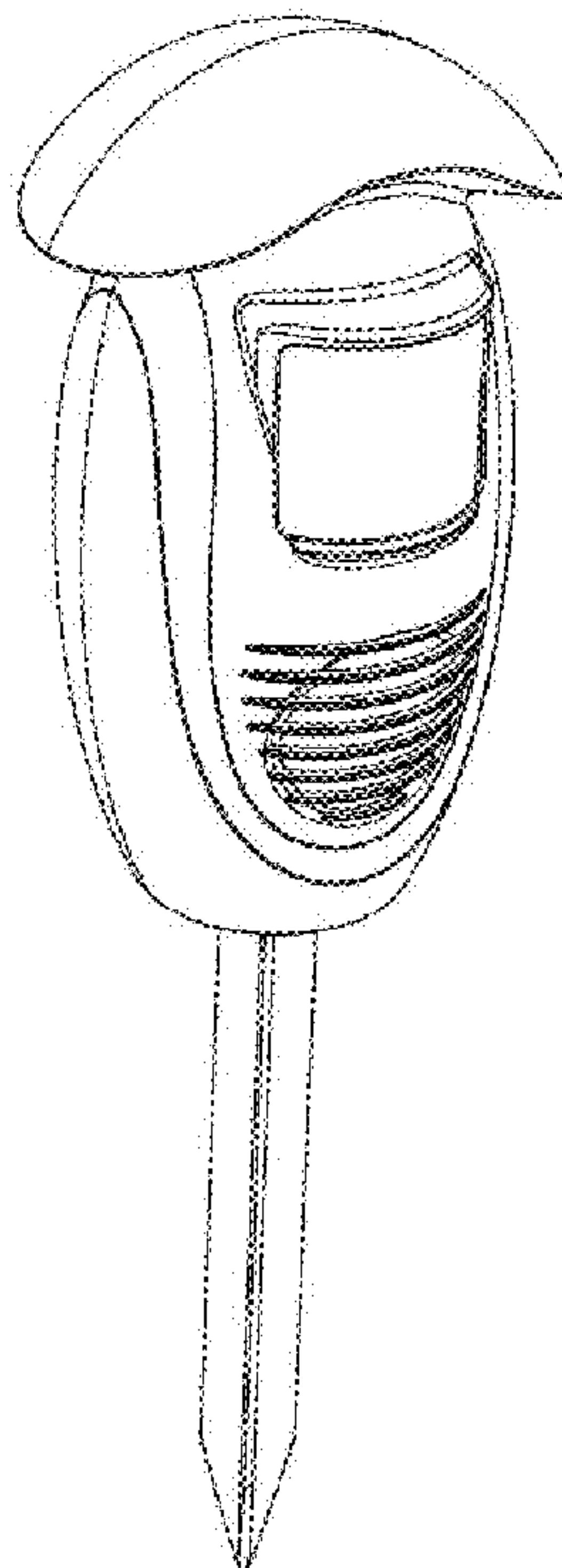
FIG. 1 is a front view of an animal repeller;
FIG. 2 is a rear view thereof;
FIG. 3 is a left side view thereof;
FIG. 4 is a right side view thereof;
FIG. 5 is a top view thereof;
FIG. 6 is a bottom view thereof; and,
FIG. 7 is a perspective view thereof.

(56) **References Cited**

U.S. PATENT DOCUMENTS

- 5,205,065 A * 4/1993 Wilson A01N 49/00
43/107
- 5,379,545 A * 1/1995 Gall A01M 31/008
43/131

1 Claim, 7 Drawing Sheets



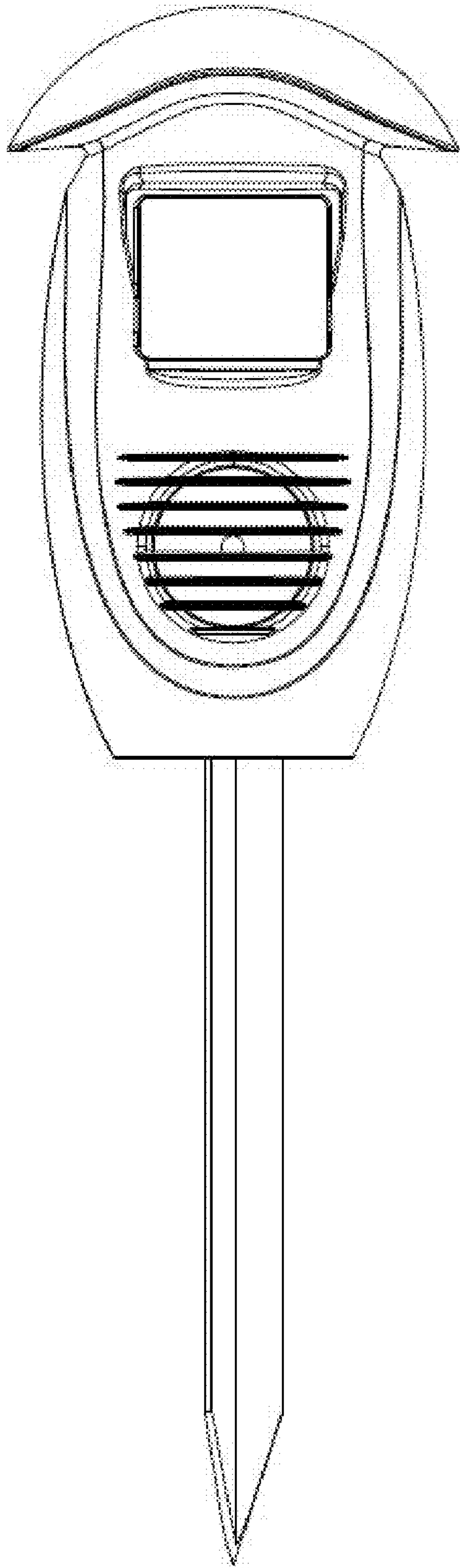


FIG. 1

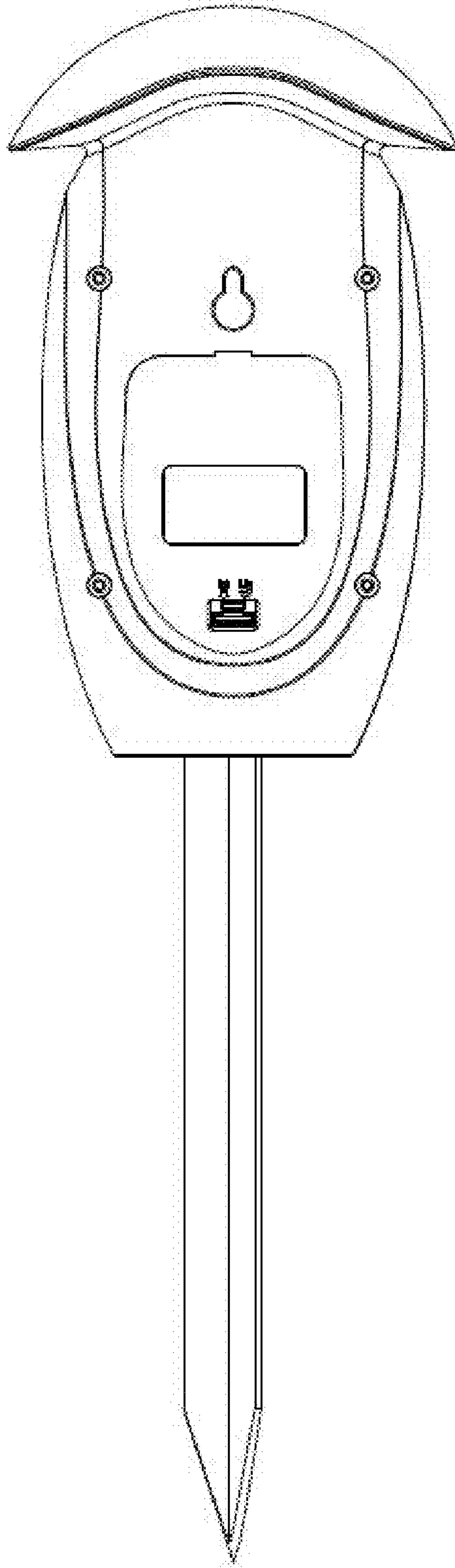


FIG. 2

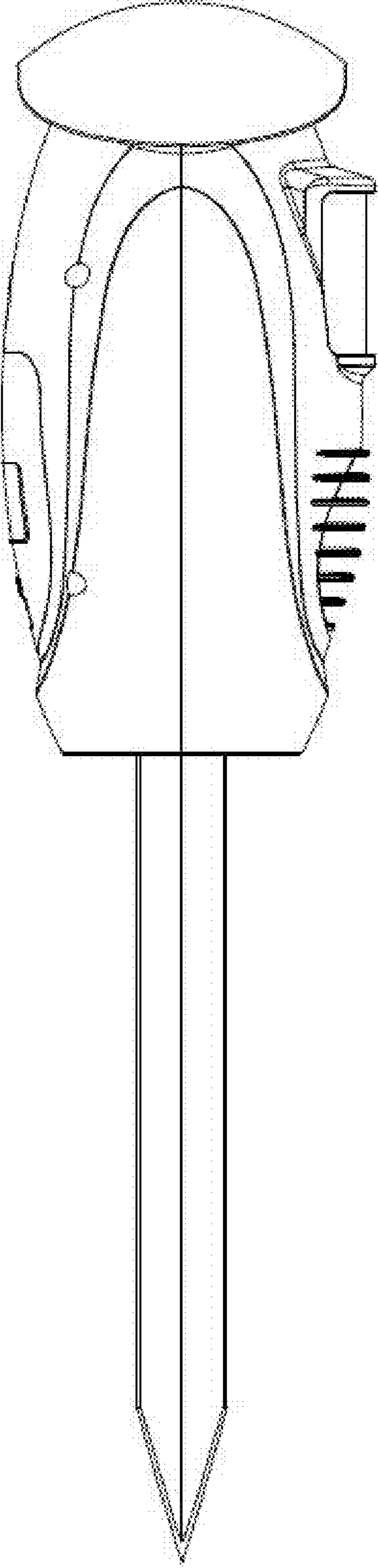


FIG. 3

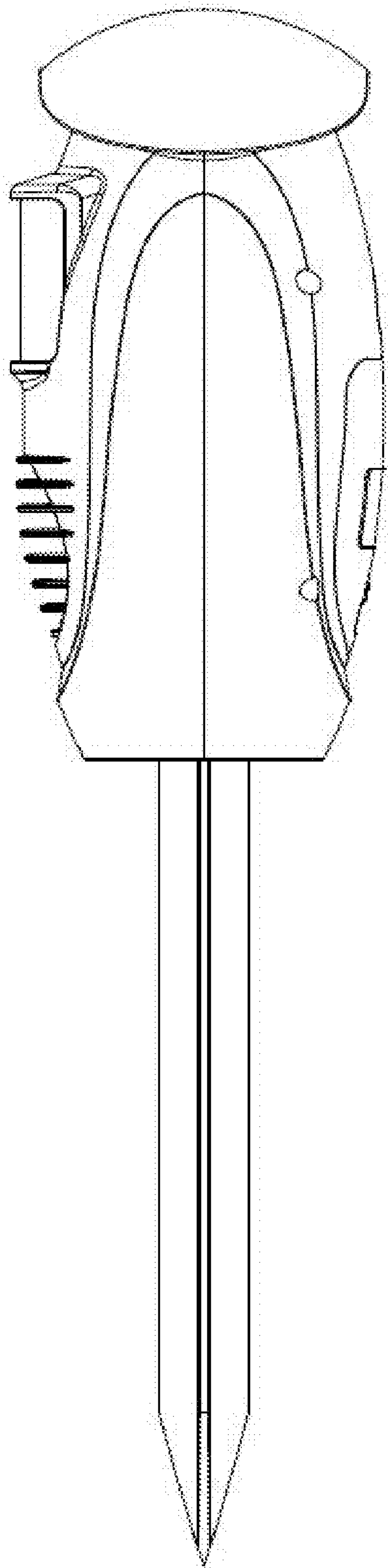


FIG. 4

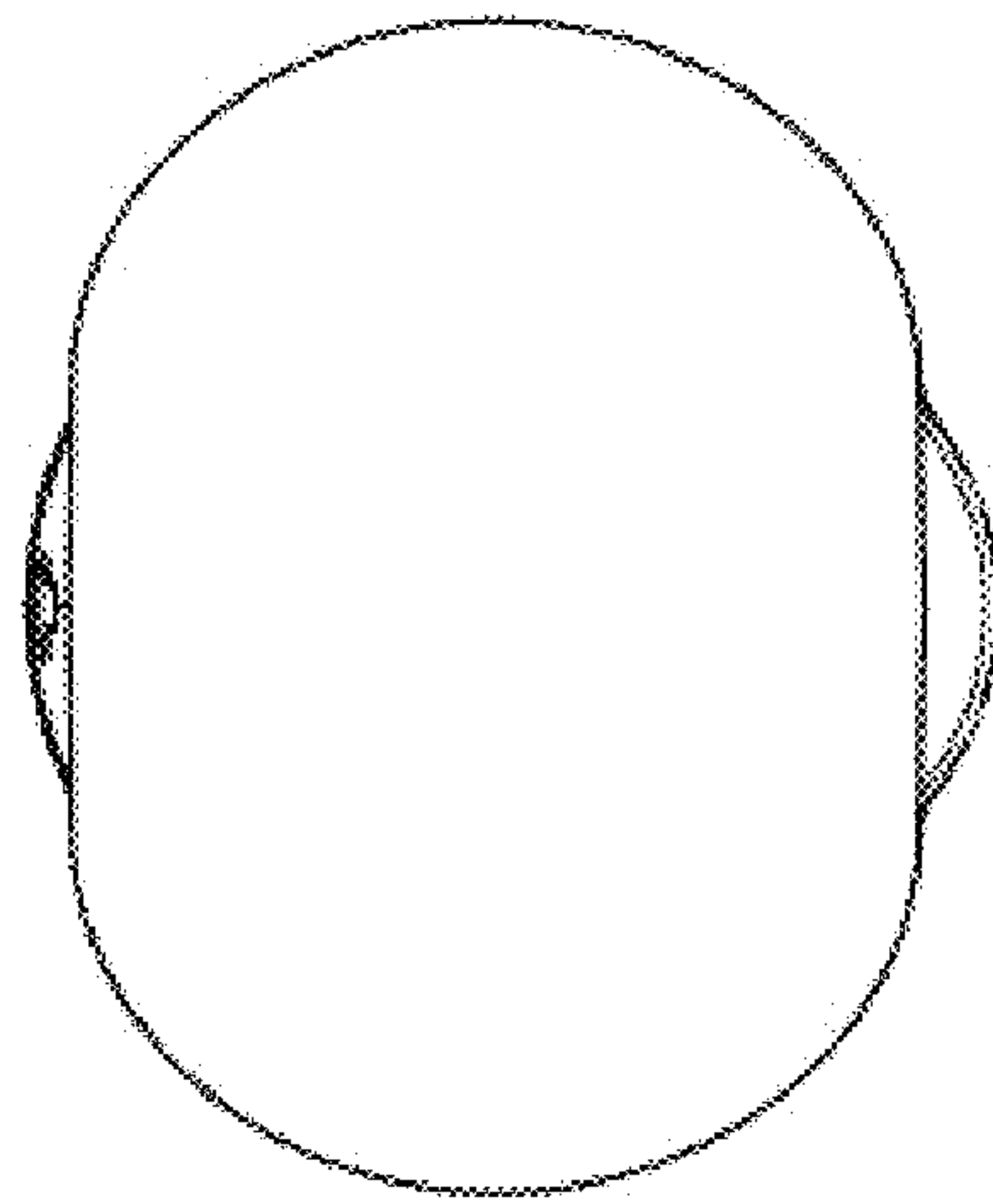


FIG. 5

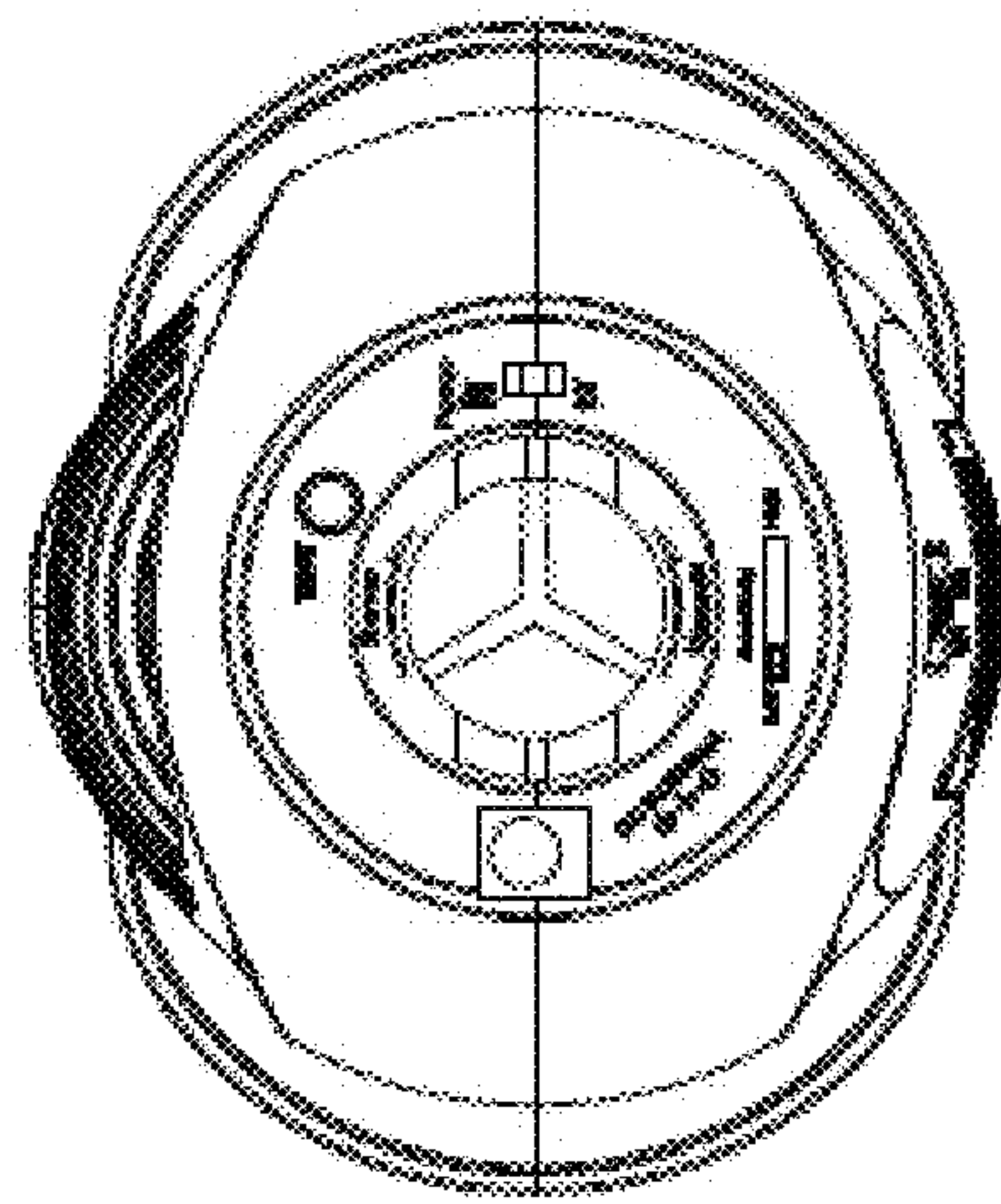


FIG. 6

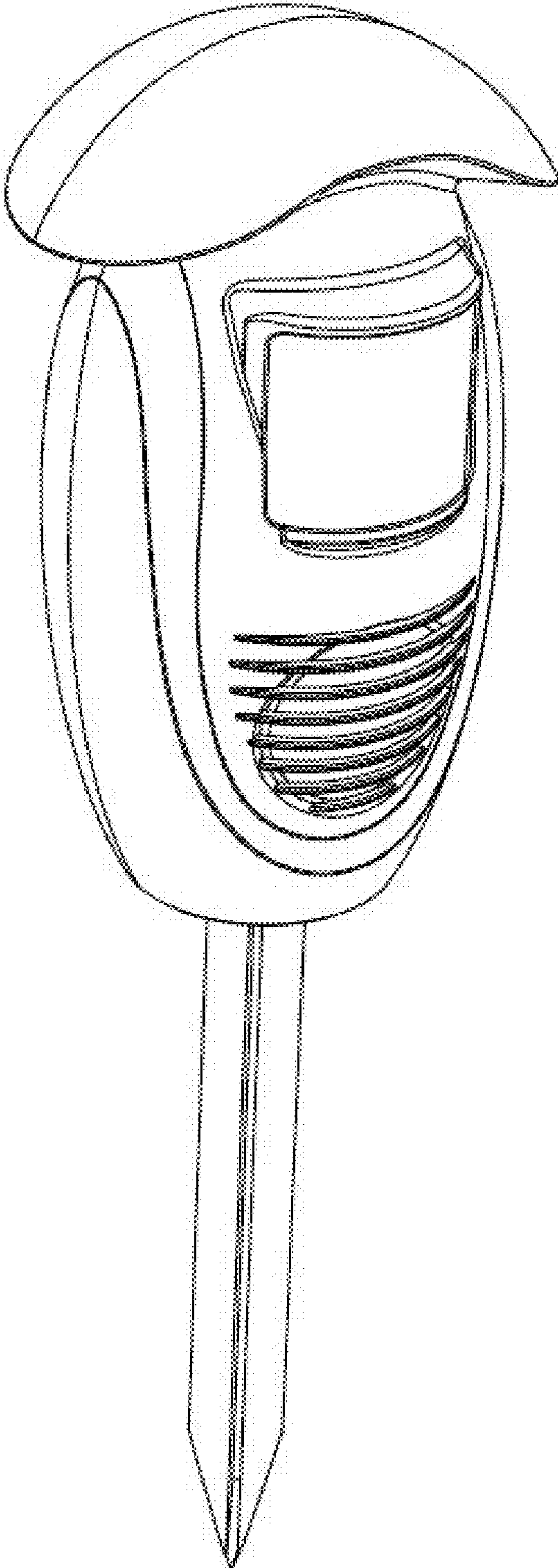


FIG. 7