



US00D779026S

(12) **United States Design Patent**  
**Hou**

(10) **Patent No.:** **US D779,026 S**

(45) **Date of Patent:** **\*\* Feb. 14, 2017**

(54) **MULTI-FUNCTIONAL PEST REPELLER**

(71) Applicant: **Mao Hou**, Shenzhen (CN)

(72) Inventor: **Mao Hou**, Shenzhen (CN)

(\*\*) Term: **15 Years**

(21) Appl. No.: **29/553,590**

(22) Filed: **Feb. 3, 2016**

(51) **LOC (10) Cl.** ..... **22-06**

(52) **U.S. Cl.**  
USPC ..... **D22/120**

(58) **Field of Classification Search**  
USPC ..... D22/119–124; 43/112–113, 124, 126,  
43/129, 59; D23/366–369  
CPC ..... A01M 25/002; A01M 1/04; A01M 1/223;  
A01M 2200/012; E04B 1/72; F16M 13/02  
See application file for complete search history.

(56) **References Cited**

**U.S. PATENT DOCUMENTS**

D469,499 S \* 1/2003 Levine ..... D22/120  
D638,507 S \* 5/2011 Feuerstein ..... D22/120

D639,466 S \* 6/2011 Feuerstein ..... D22/120  
D766,417 S \* 9/2016 Lane ..... D23/366  
D768,805 S \* 10/2016 Wu ..... D22/120  
D768,806 S \* 10/2016 Wu ..... D22/120

\* cited by examiner

*Primary Examiner* — Catheri Oliver-Garcia  
(74) *Attorney, Agent, or Firm* — Novoclaims Patent  
Services LLC; Mei Lin Wong

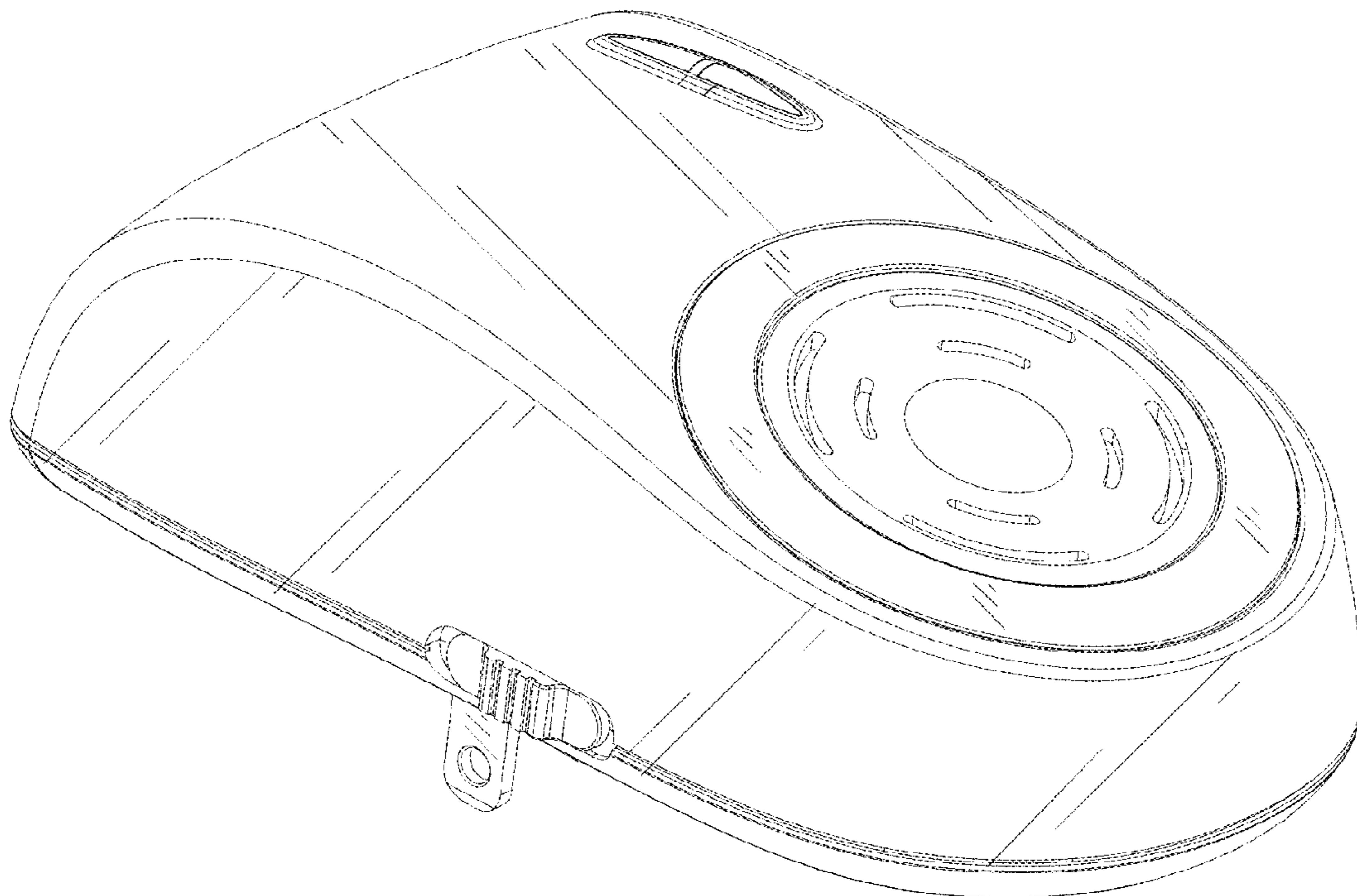
(57) **CLAIM**

The ornamental design for a multi-functional pest repeller,  
as shown and described.

**DESCRIPTION**

FIG. 1 is a perspective view of a multi-functional pest repeller showing my new design.  
FIG. 2 is a front view thereof.  
FIG. 3 is a rear view thereof.  
FIG. 4 is a left side view thereof.  
FIG. 5 is a right side view thereof.  
FIG. 6 is a top view thereof; and,  
FIG. 7 is a bottom view thereof.

**1 Claim, 7 Drawing Sheets**



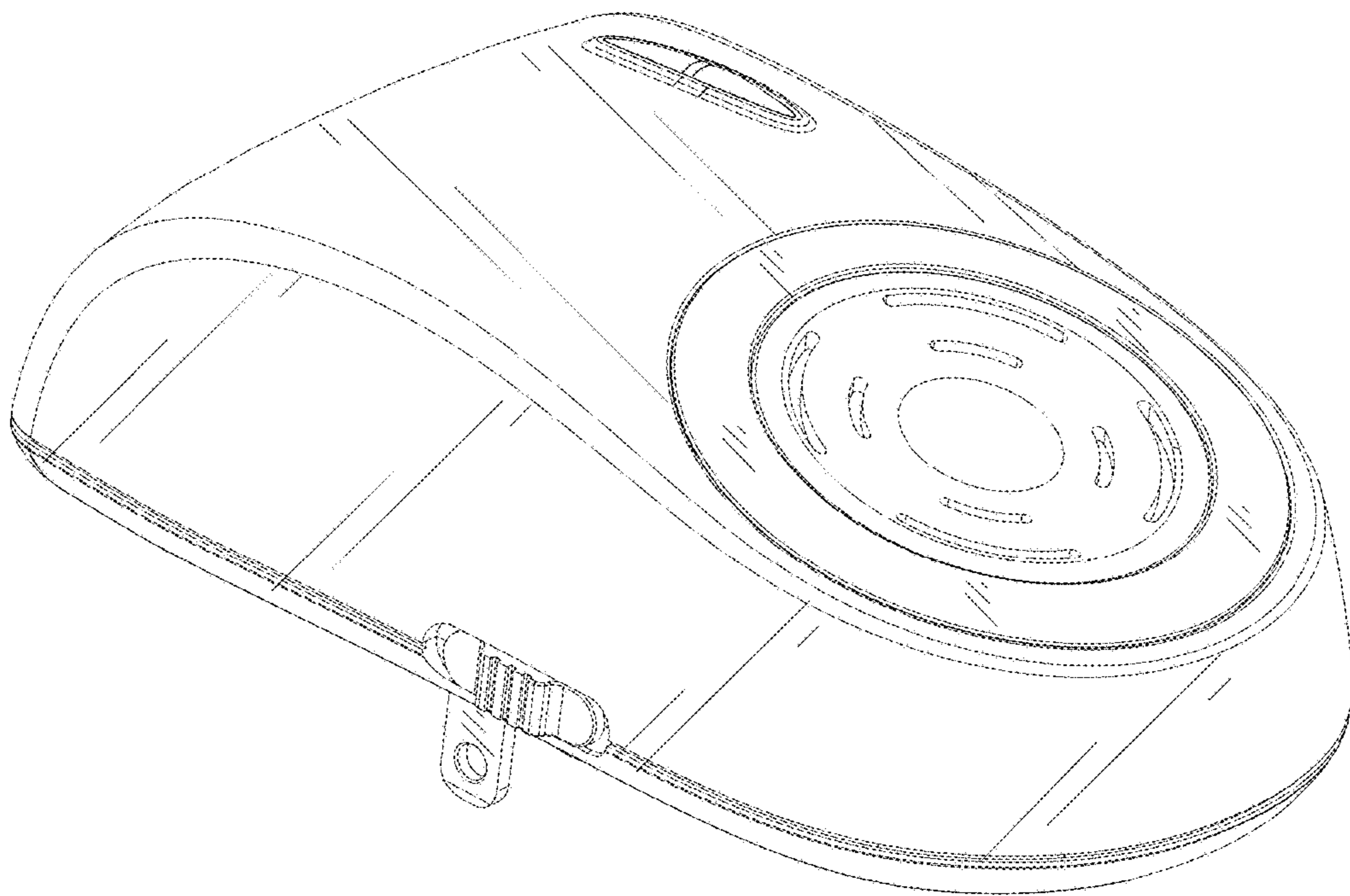


FIG.1

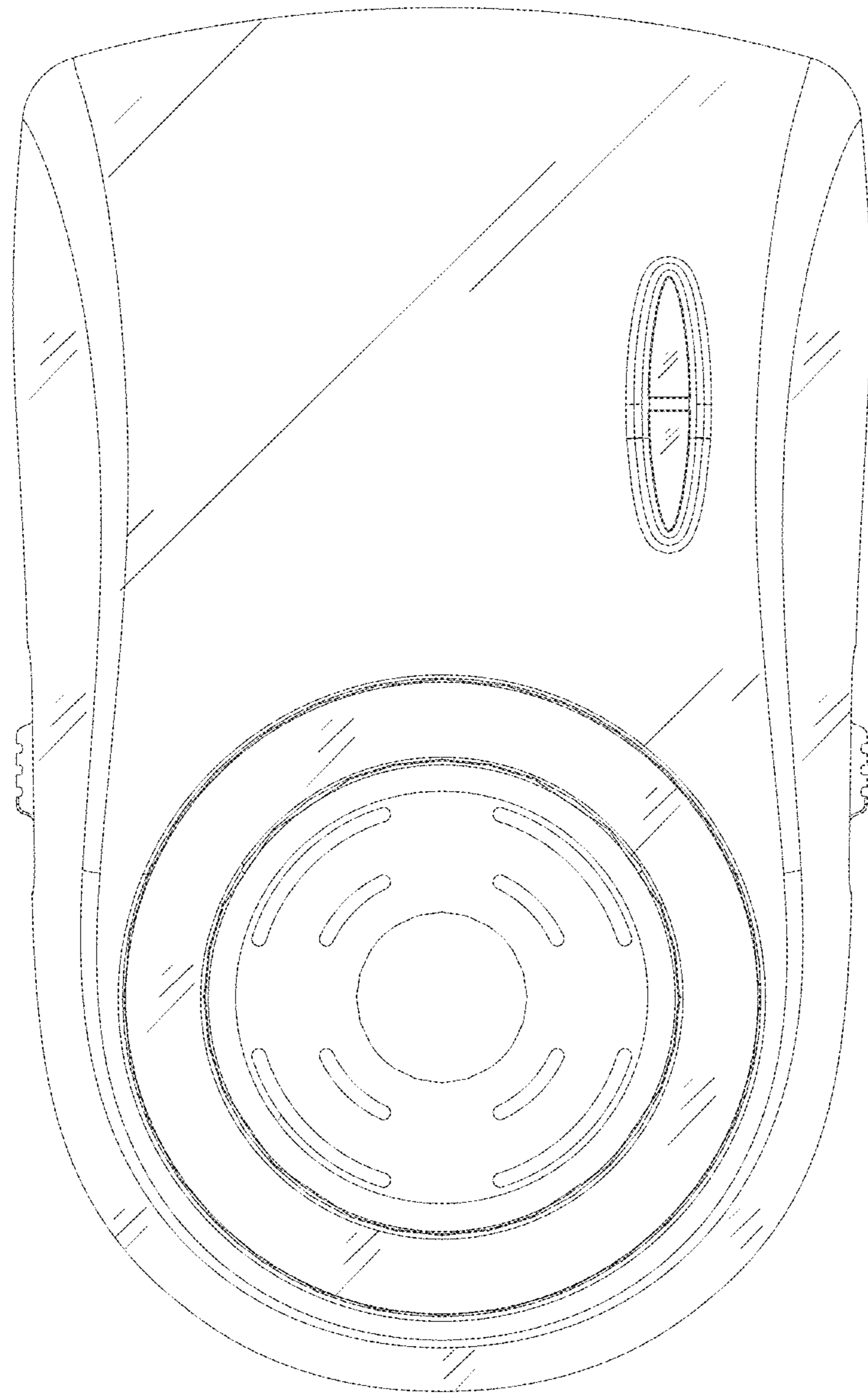


FIG.2

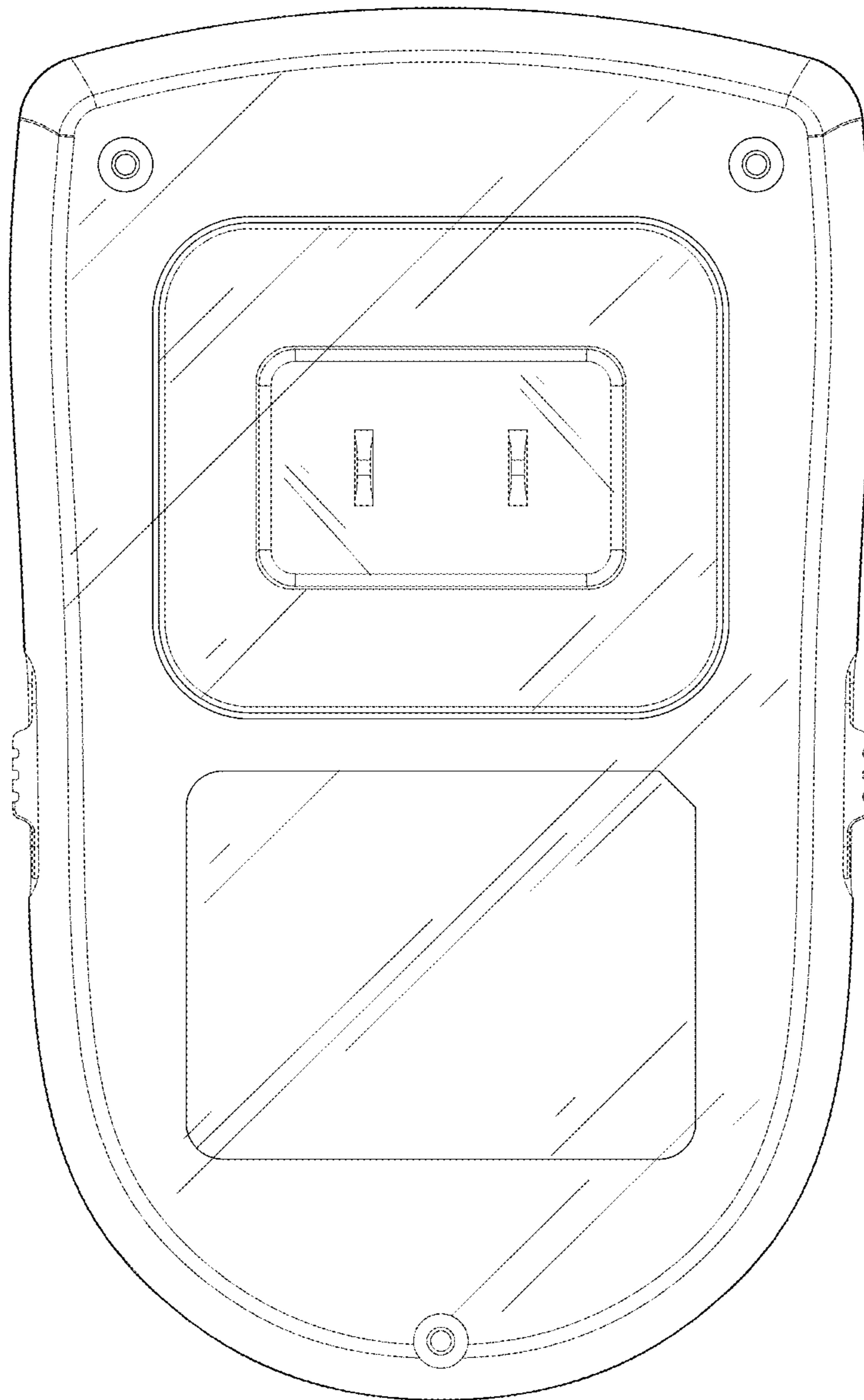


FIG.3

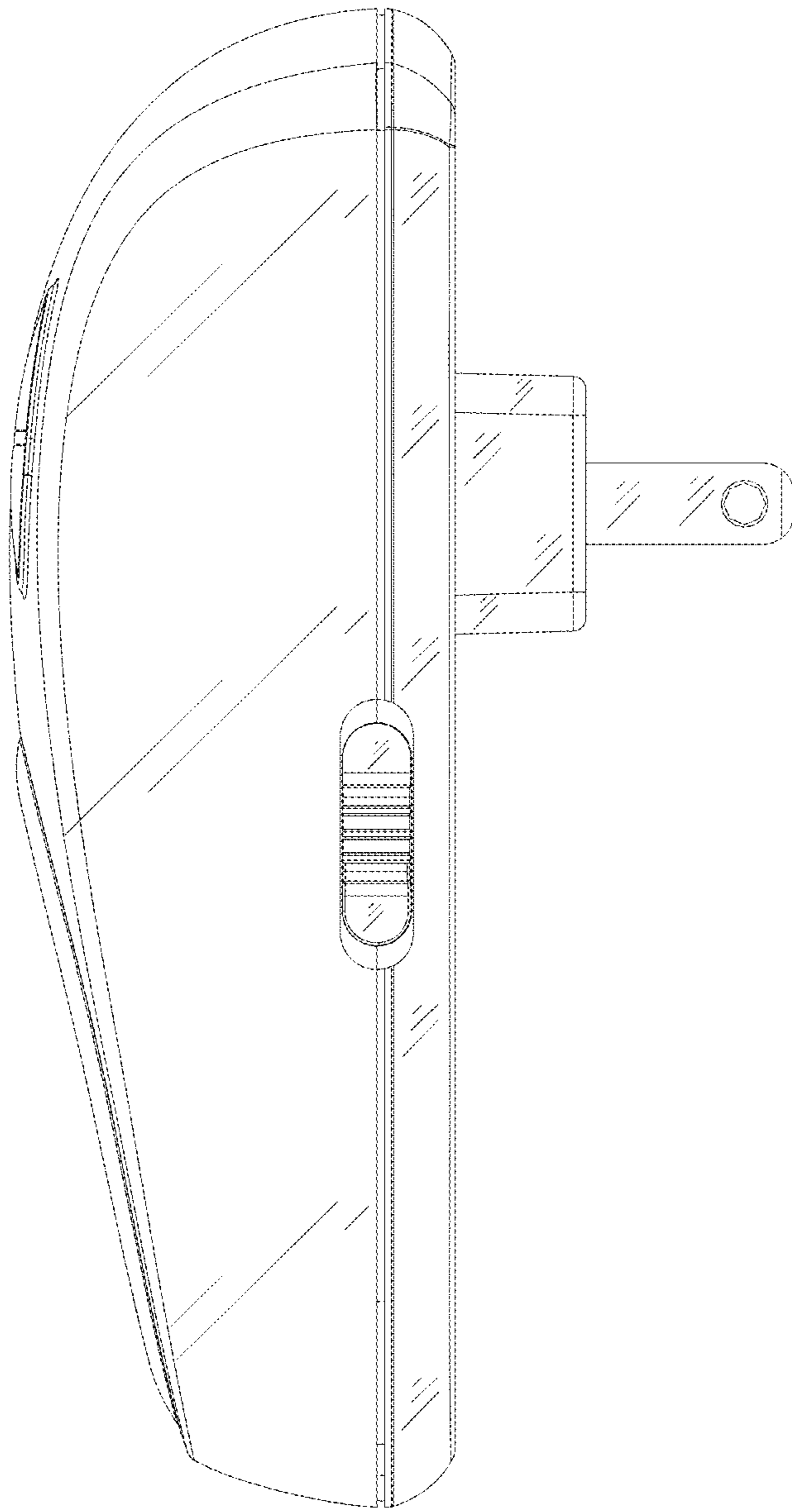


FIG.4

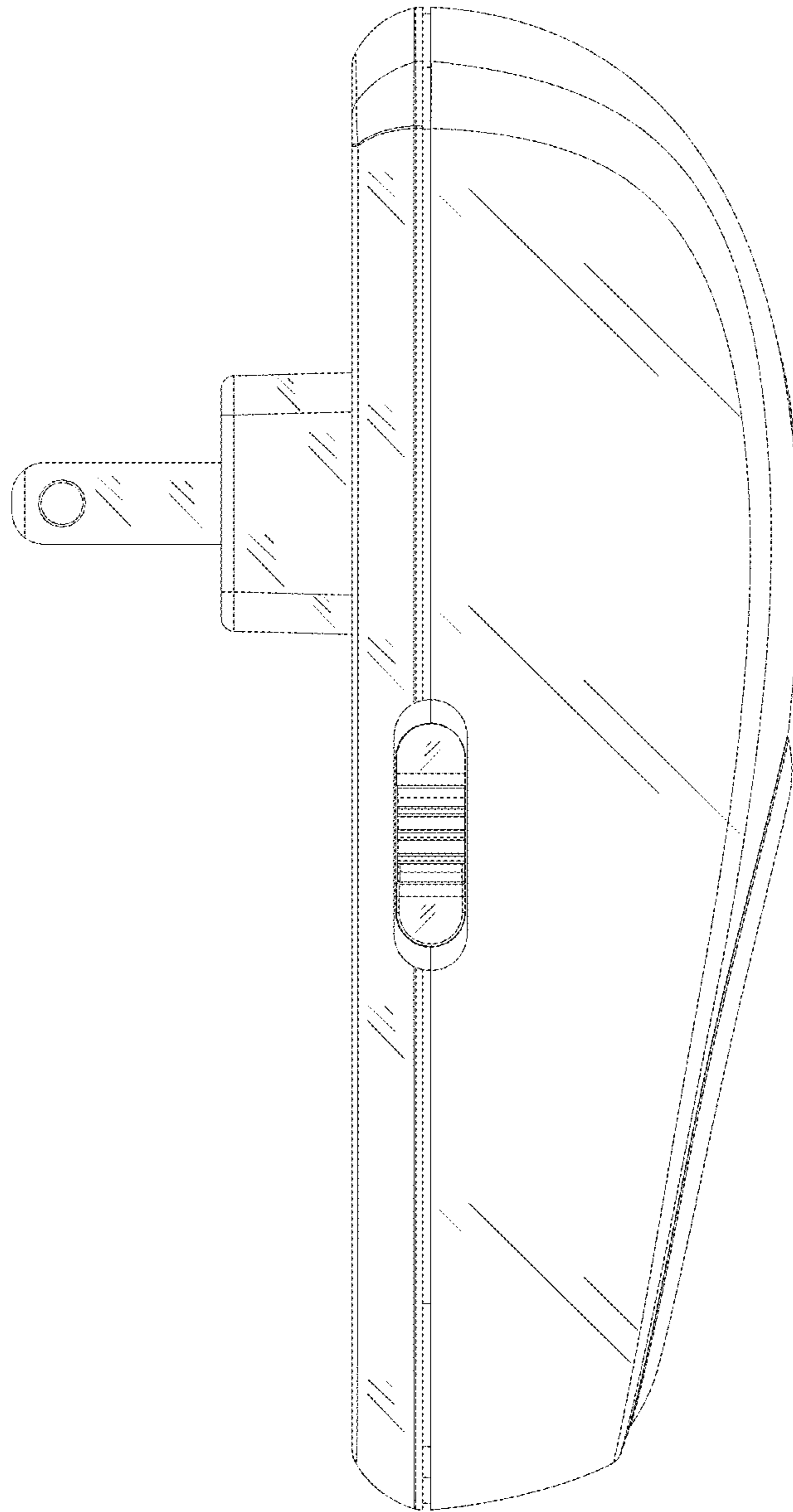


FIG.5

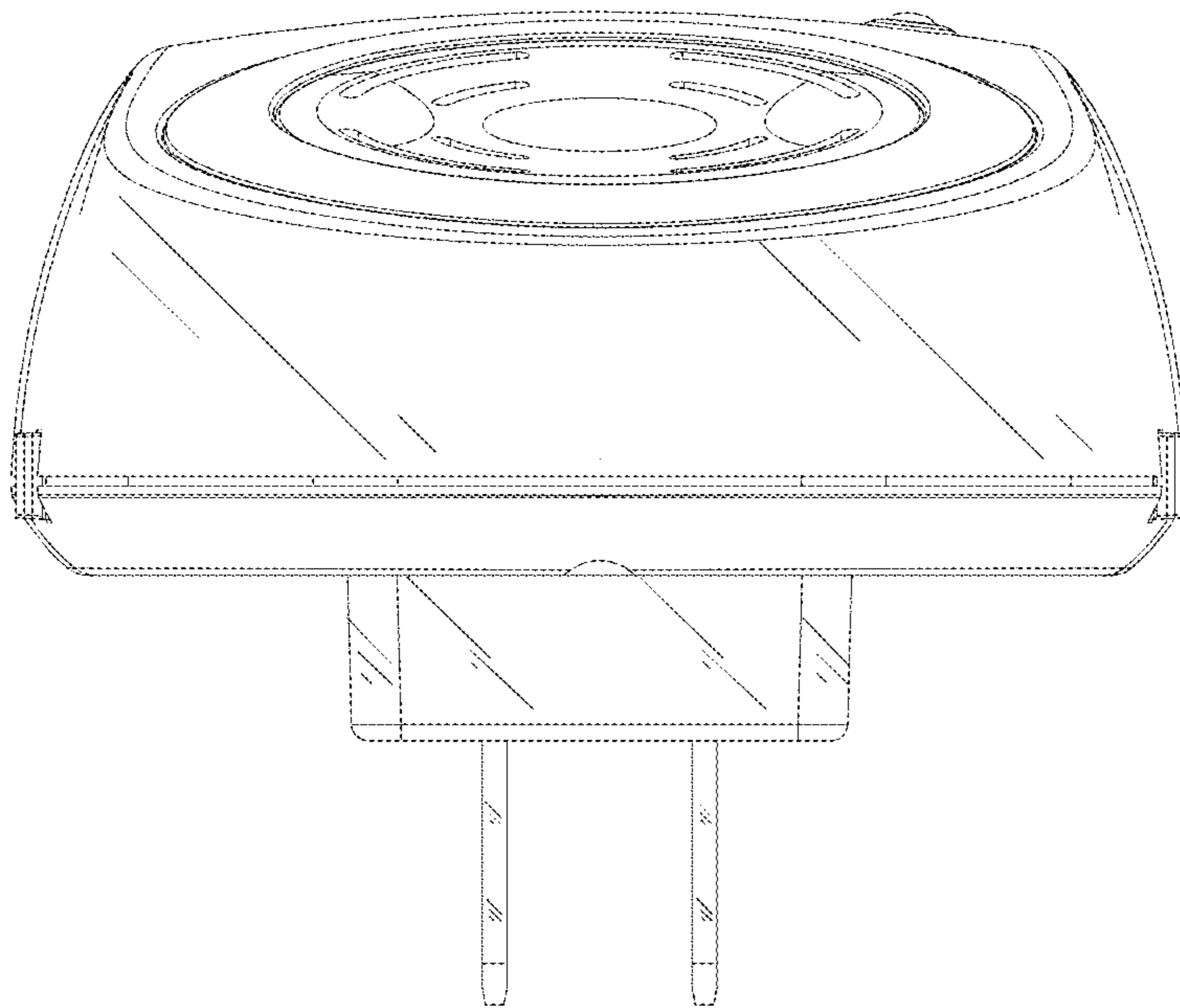


FIG.6

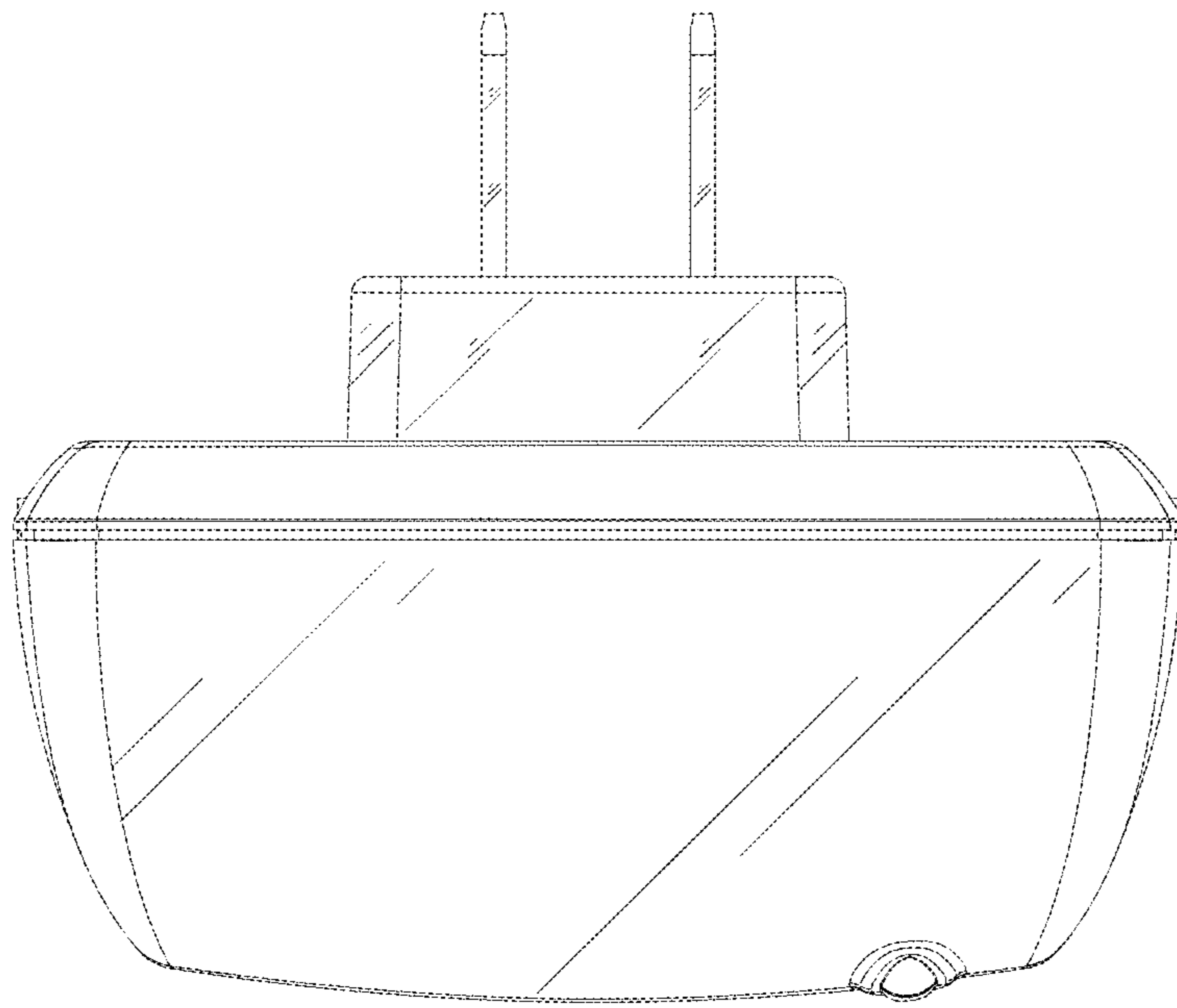


FIG.7