



US00D779025S

(12) **United States Design Patent**
Jan

(10) **Patent No.:** **US D779,025 S**

(45) **Date of Patent:** **** Feb. 14, 2017**

(54) **ULTRASONIC PEST REPELLER**

(71) Applicant: **Te-Chin Jan**, Taipei (TW)

(72) Inventor: **Te-Chin Jan**, Taipei (TW)

(**) Term: **15 Years**

(21) Appl. No.: **29/545,439**

(22) Filed: **Nov. 12, 2015**

(51) **LOC (10) Cl.** **22-06**

(52) **U.S. Cl.**
USPC **D22/120**

(58) **Field of Classification Search**
USPC D22/118, 119, 120, 122; D23/366, 367,
D23/368, 369; D10/2
CPC F16M 13/02; A01M 25/002; E04B 1/72
See application file for complete search history.

(56) **References Cited**

U.S. PATENT DOCUMENTS

D410,062 S	*	5/1999	Jan	D22/120
D440,274 S	*	4/2001	Davis	D22/120
D469,147 S	*	1/2003	Levine	D22/120
D469,149 S	*	1/2003	Levine	D22/120
D469,499 S	*	1/2003	Levine	D10/2
D528,184 S	*	9/2006	Yuen	D22/120
D558,296 S	*	12/2007	Krause	D22/120

D630,702 S	*	1/2011	Levine	D22/120
D638,507 S	*	5/2011	Feuerstein	D22/120
D639,466 S	*	6/2011	Feuerstein	D22/120
D641,896 S	*	7/2011	Weiser	D22/120
D641,897 S	*	7/2011	Weiser	D22/120
D669,151 S	*	10/2012	Frisch	D22/122
D681,769 S	*	5/2013	Jan	D22/120
D681,770 S	*	5/2013	Jan	D22/120
D723,654 S	*	3/2015	Liu	D22/120
D754,278 S	*	4/2016	Finkel	D22/119

* cited by examiner

Primary Examiner — Manpreet Matharu

Assistant Examiner — Suzanne Tisdell

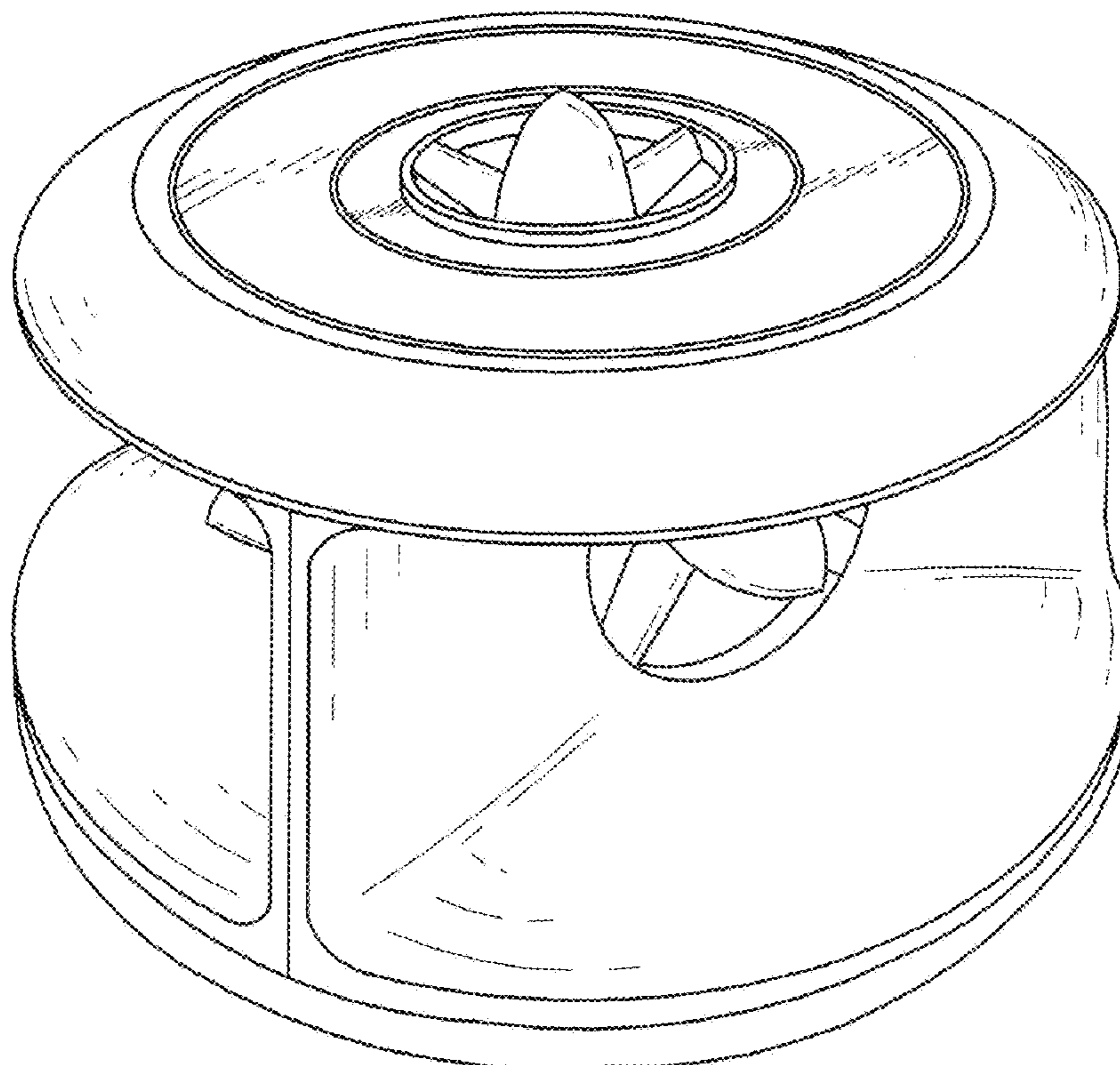
(57) **CLAIM**

The ornamental design for an ultrasonic pest repeller, as shown and described.

DESCRIPTION

FIG. 1 is a perspective view of an “ultrasonic pest repeller” showing my design;
FIG. 2 is a front elevational view thereof;
FIG. 3 is a rear elevational view thereof;
FIG. 4 is a left side elevational view thereof;
FIG. 5 is a right side elevational view thereof;
FIG. 6 is a top plan view thereof;
FIG. 7 is a bottom plan view thereof; and,
FIG. 8 is another perspective view of different angle thereof.

1 Claim, 5 Drawing Sheets



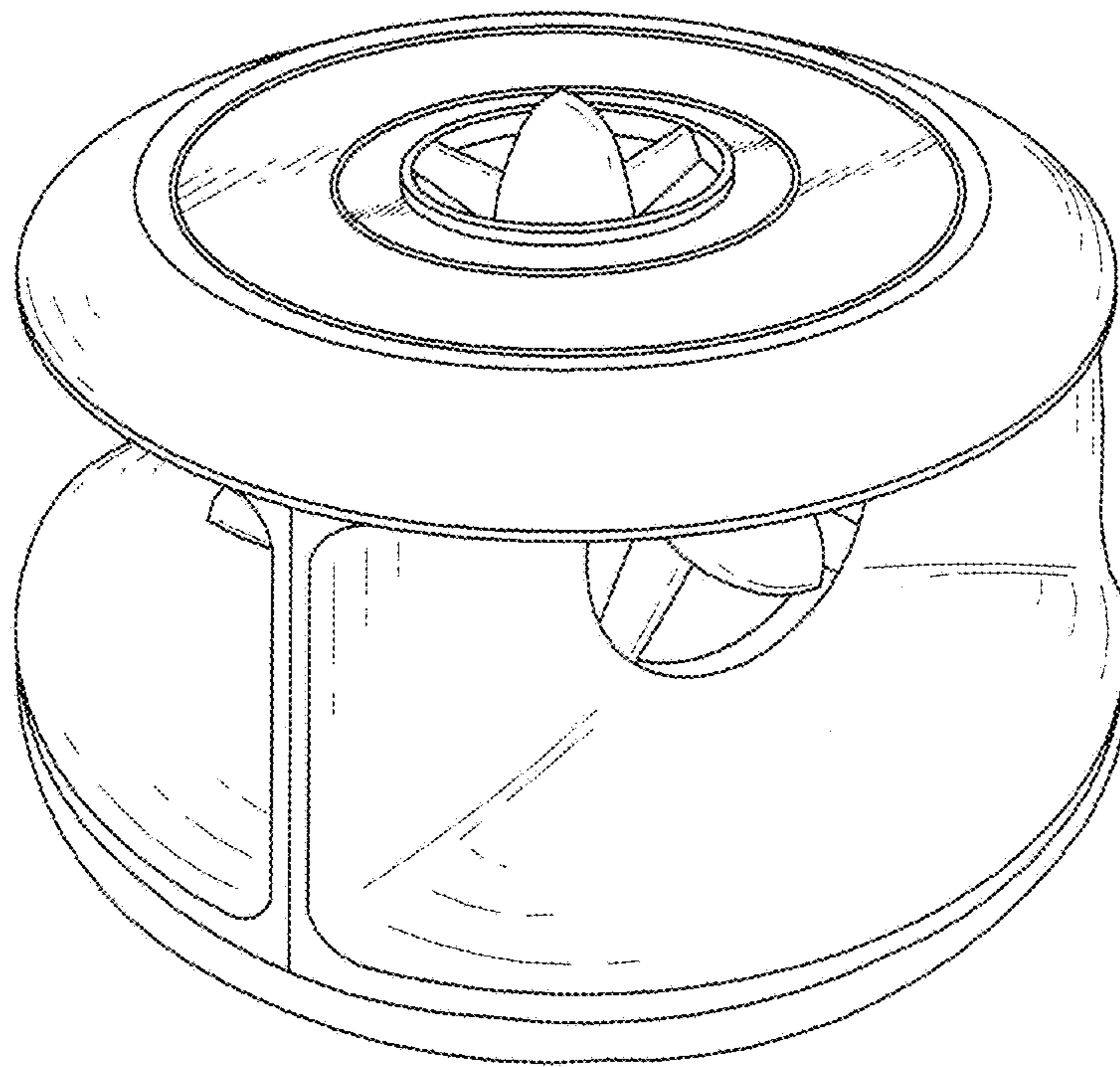


FIG.1

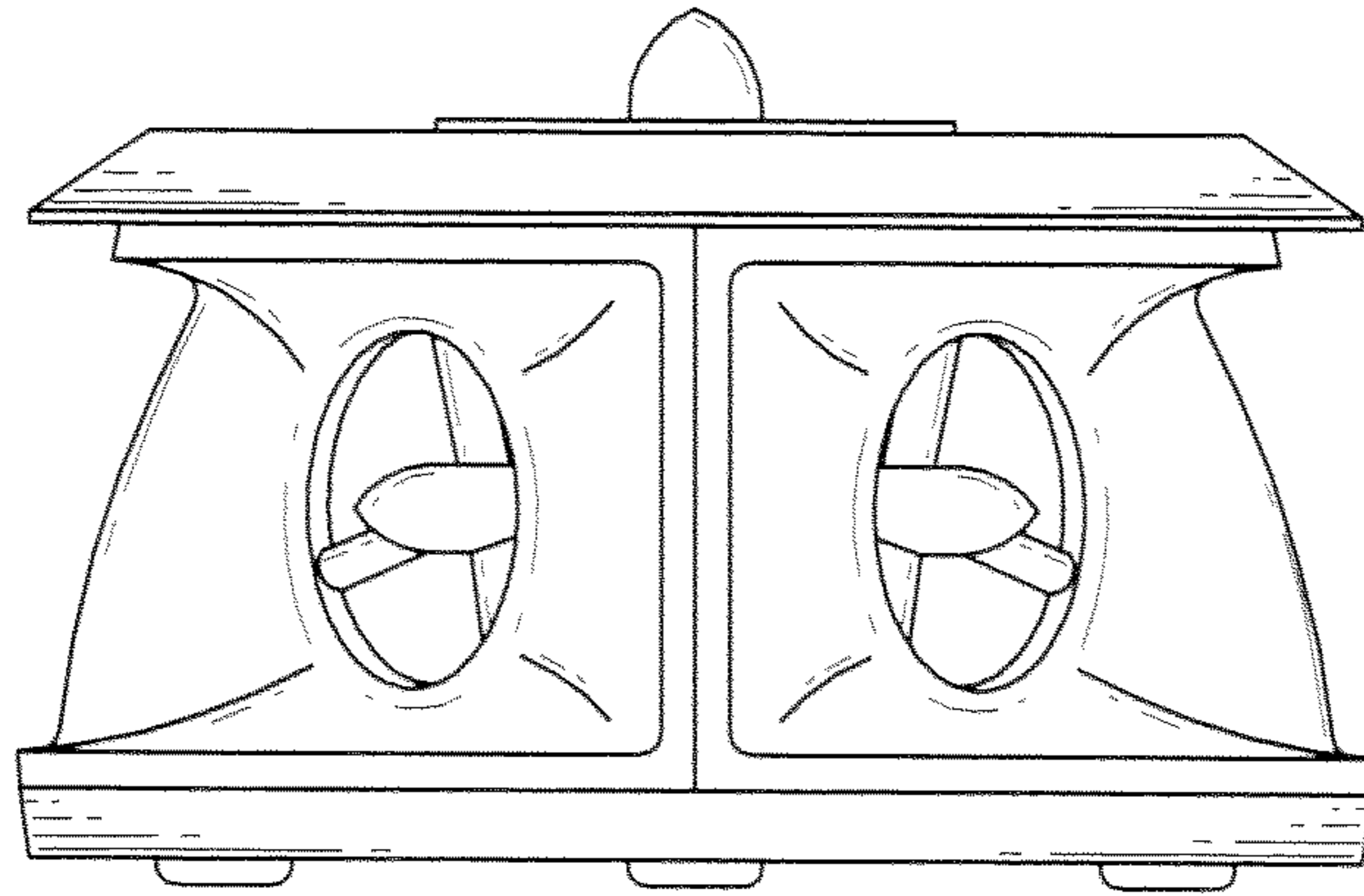


FIG.2

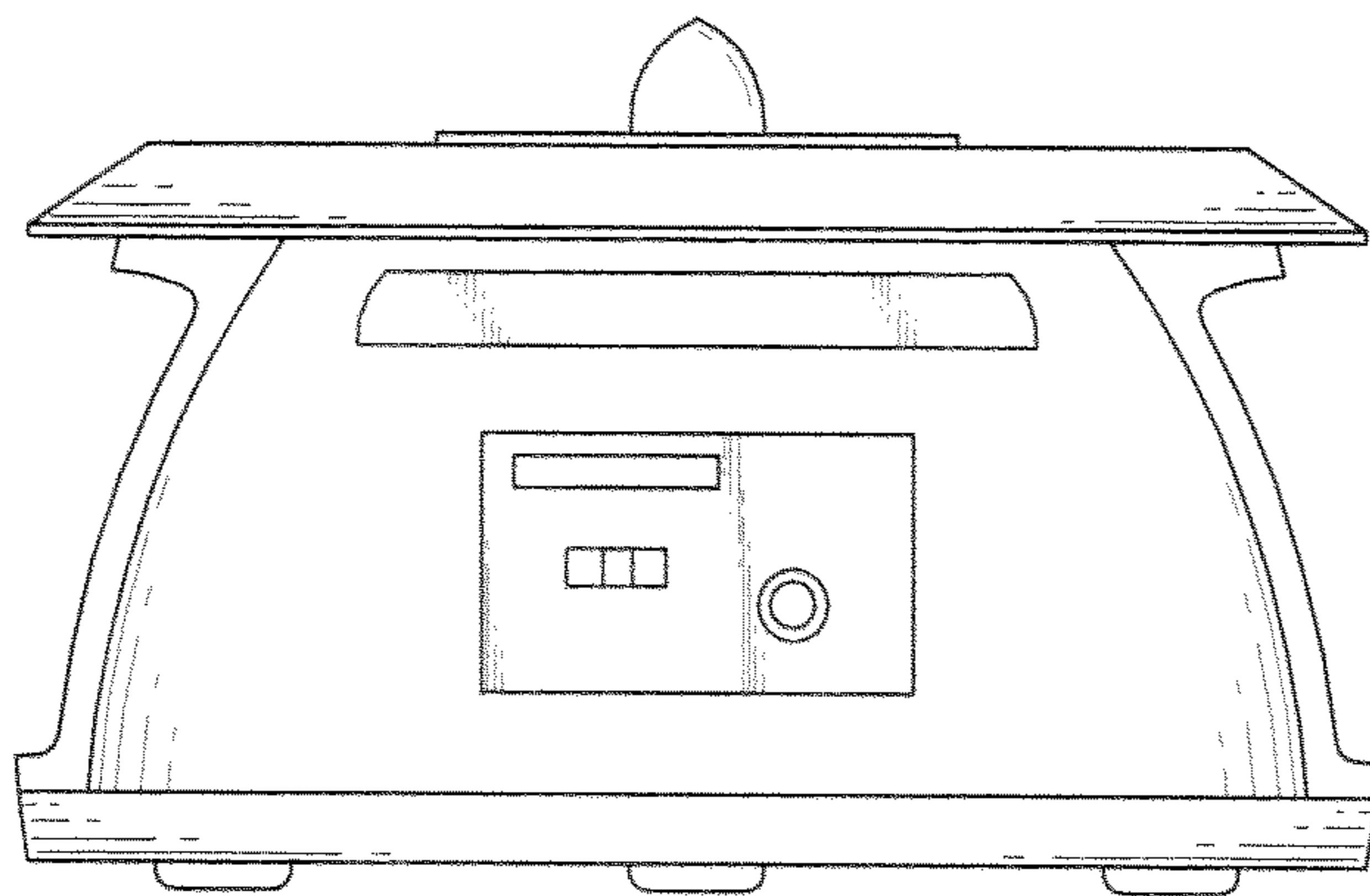


FIG.3

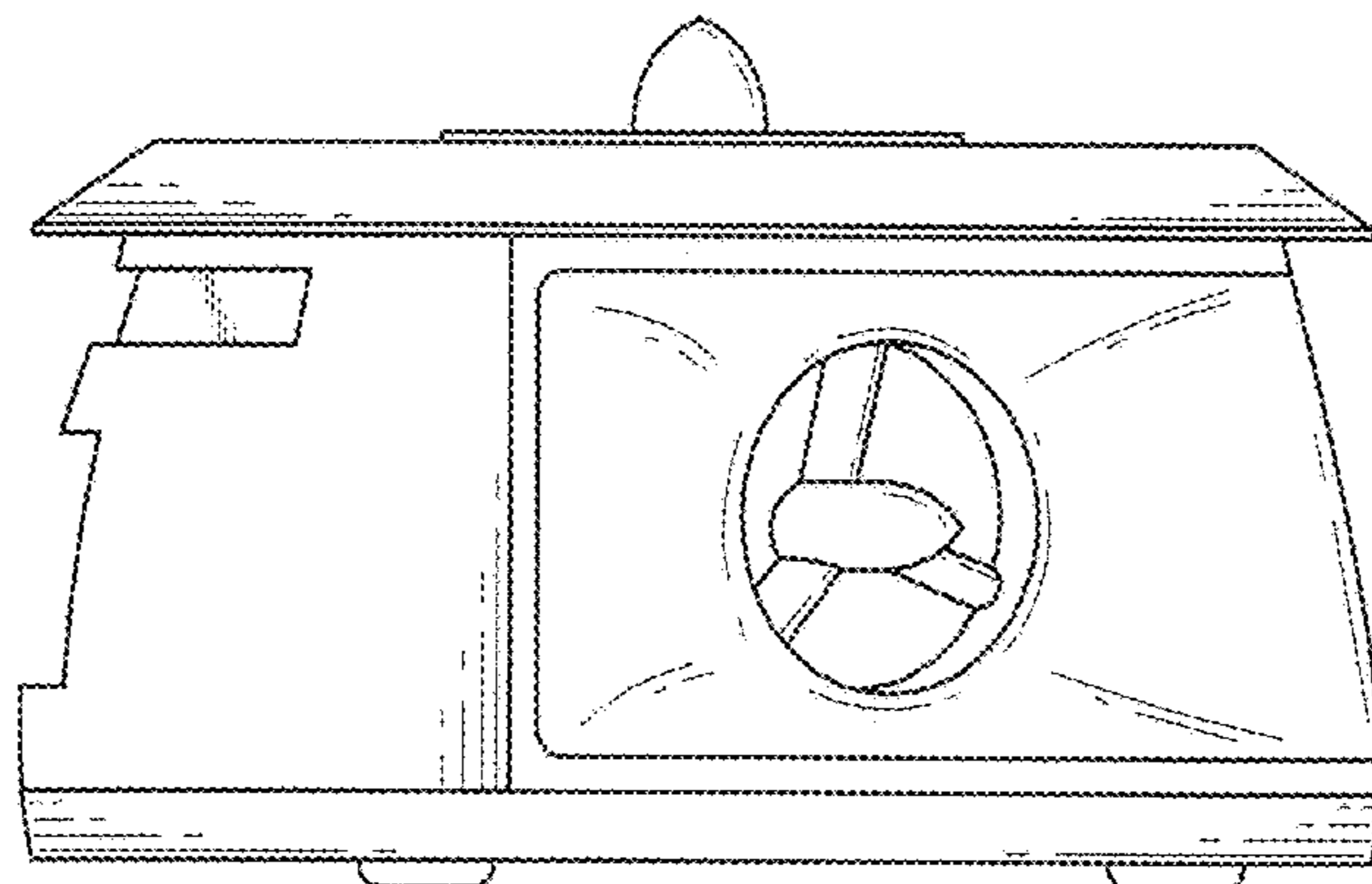


FIG.4

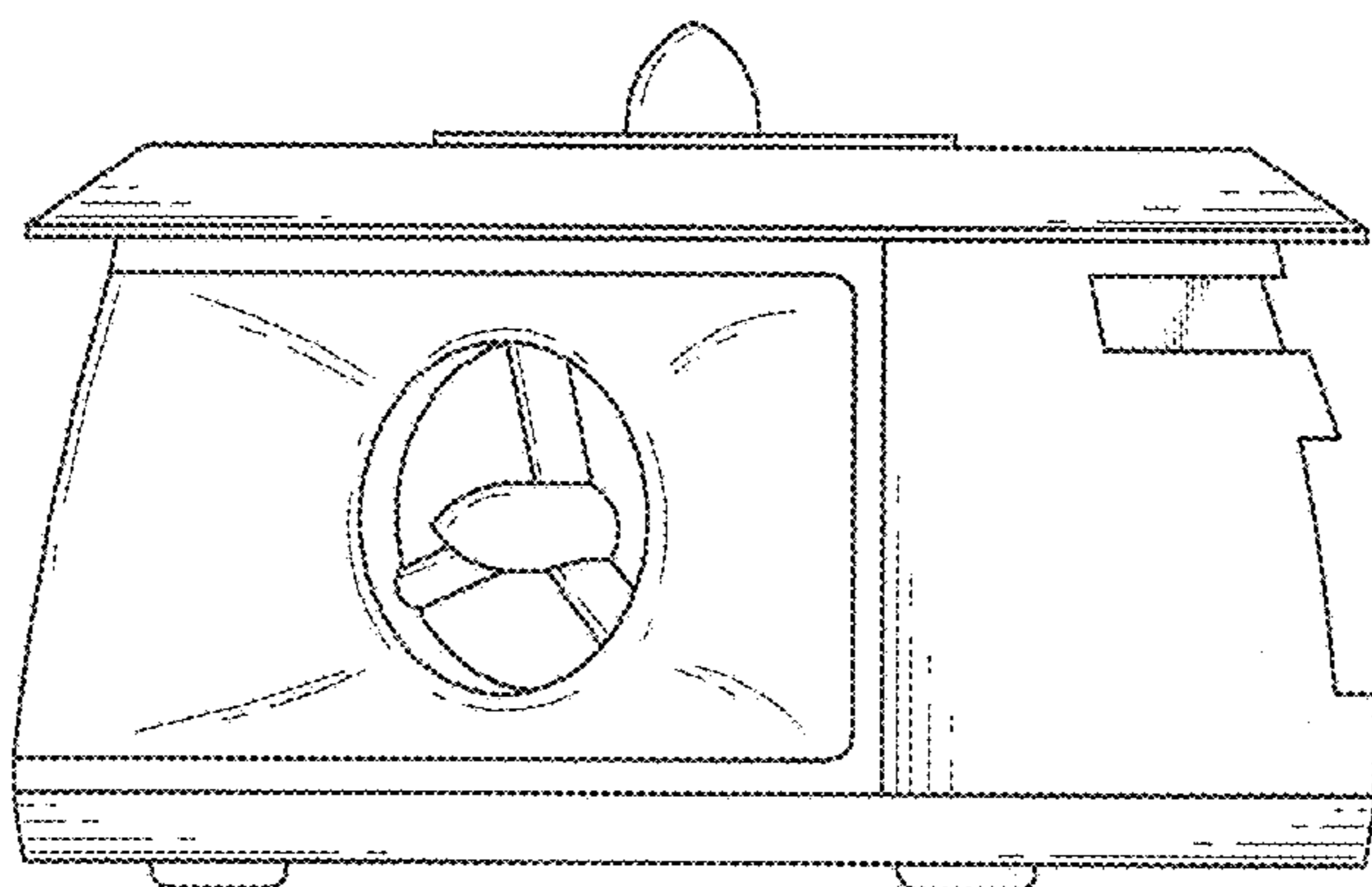


FIG.5

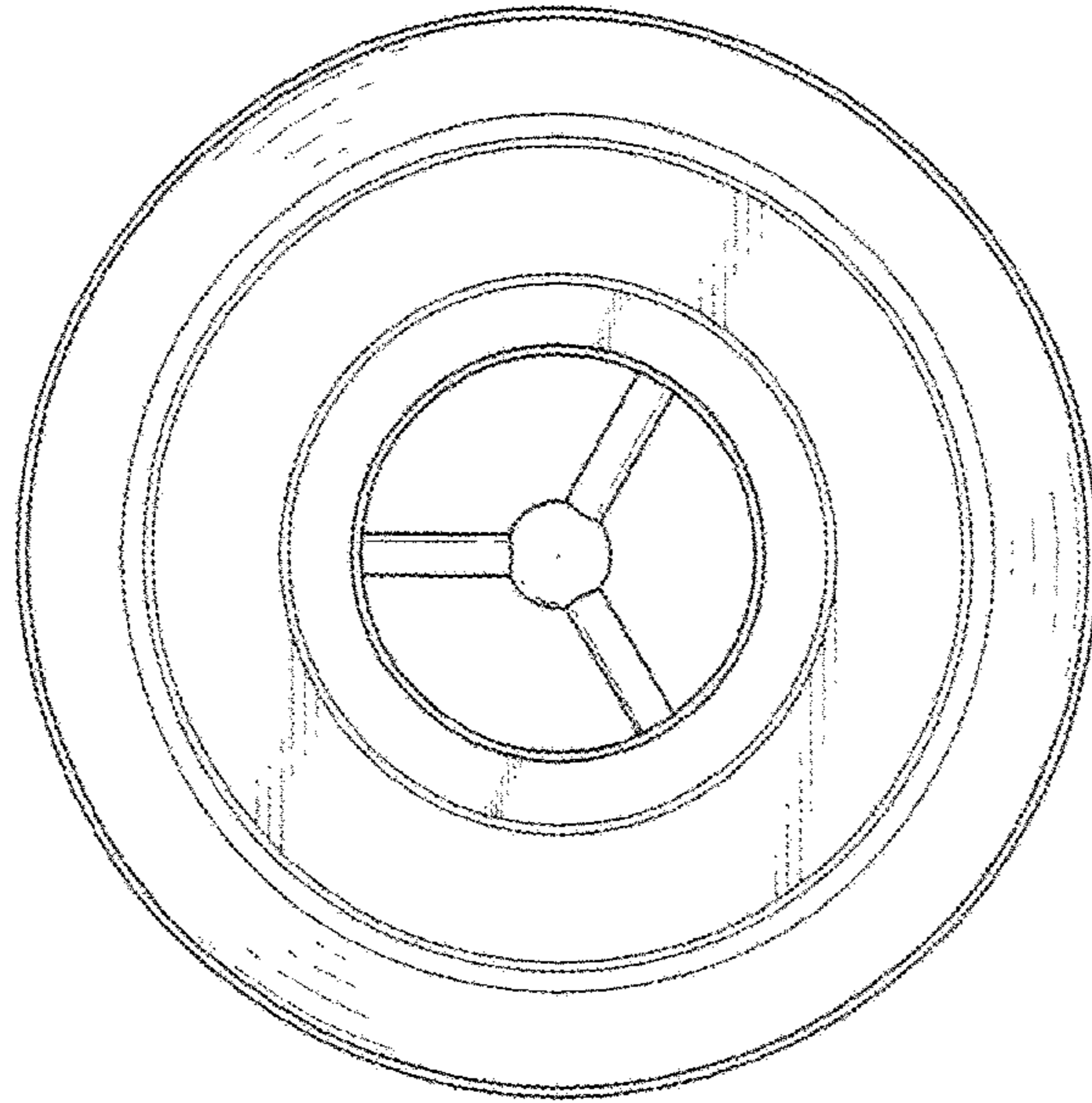


FIG. 6

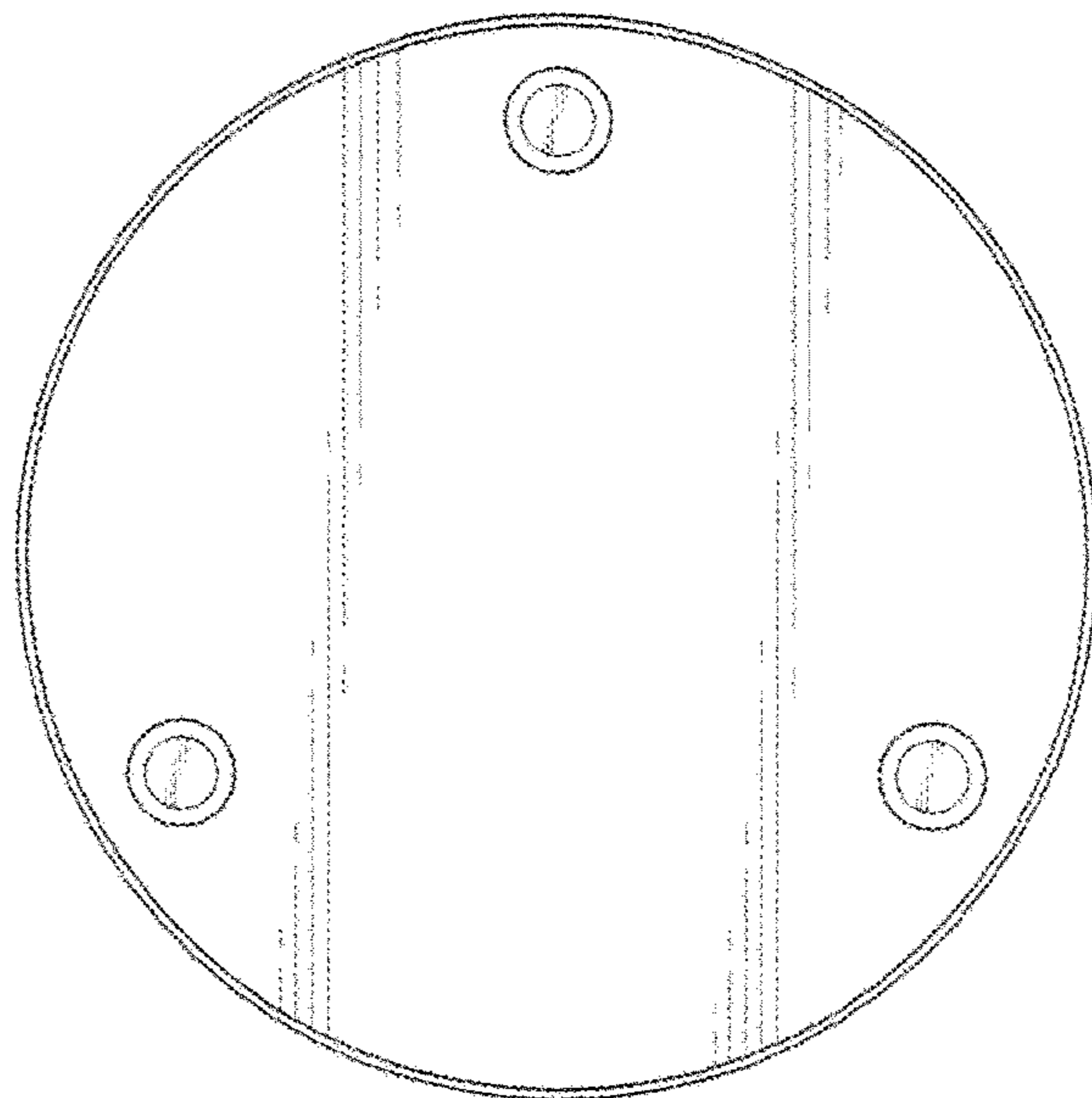


FIG. 7

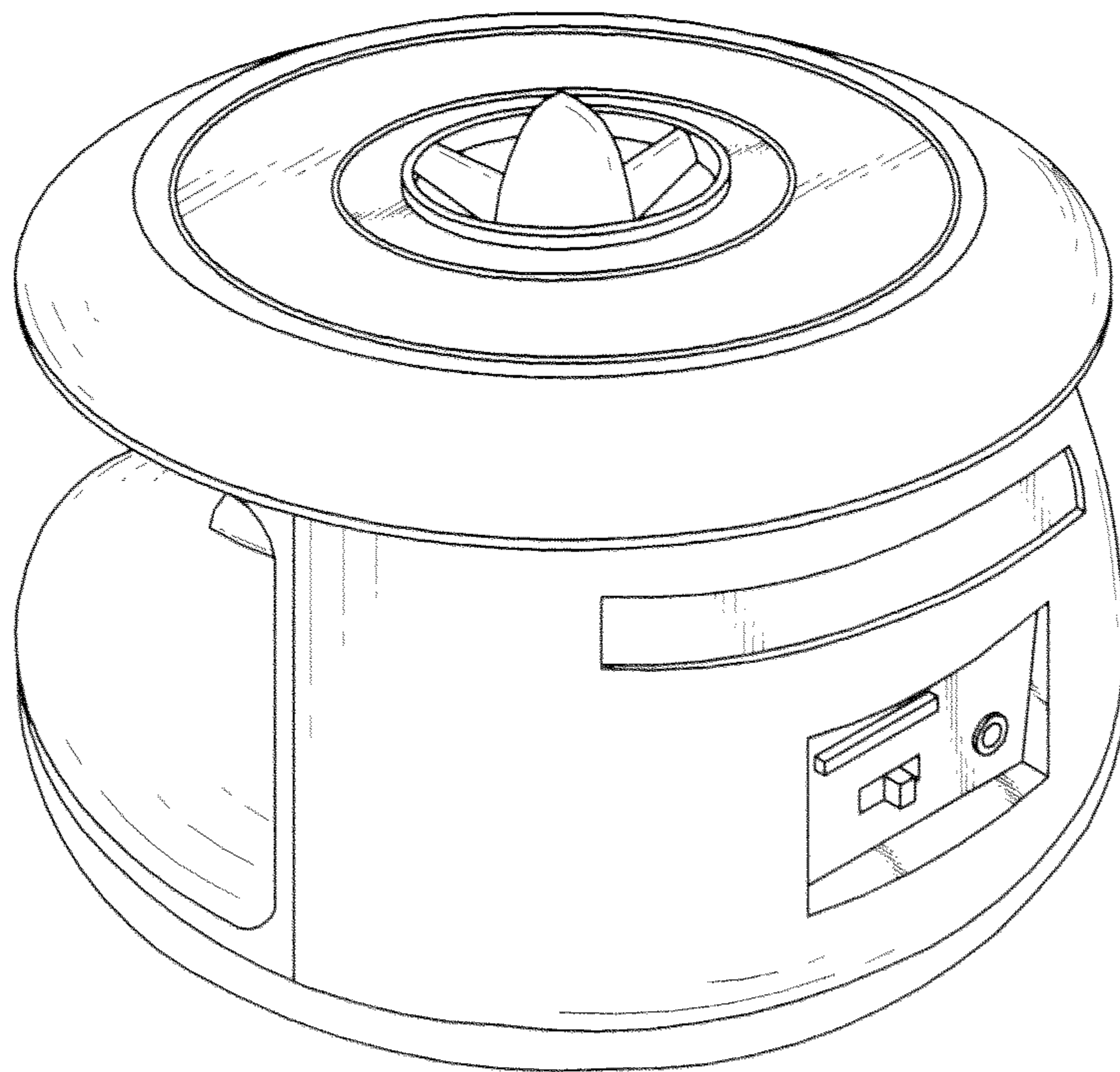


FIG.8