



US00D779019S

(12) **United States Design Patent**
Arnedo Vera et al.

(10) **Patent No.:** **US D779,019 S**
(45) **Date of Patent:** **** Feb. 14, 2017**

- (54) **MUZZLE BRAKE**
- (71) Applicant: **GAMO OUTDOOR, S.L.**, Sant Boi de Llobregat (ES)
- (72) Inventors: **Julian Arnedo Vera**, Sant Boi de Llobregat (ES); **Victor Tresserras Torre**, Sant Boi de Llobregat (ES)
- (73) Assignee: **GAMO OUTDOOR, S.L.**, Sant Boi de Llobregat (Barcelona) (ES)
- (**) Term: **15 Years**

5,811,714	A *	9/1998	Hull	F41A 21/36	89/14.3
6,425,310	B1 *	7/2002	Champion	F41A 21/36	89/14.3
6,722,254	B1 *	4/2004	Davies	F41A 21/36	42/1.06
7,600,461	B1 *	10/2009	Cler	F41A 21/36	89/14.3
D694,355	S *	11/2013	Hormann	D22/108	
D729,894	S *	5/2015	DeLuca	D22/108	
D733,828	S *	7/2015	Larson, Jr.	D22/108	
D746,937	S *	1/2016	Larson, Jr.	D22/108	
D747,429	S *	1/2016	Larson, Jr.	D22/108	

(Continued)

- (21) Appl. No.: **35/500,193**
- (22) Filed: **Oct. 1, 2015**
- (80) **Hague Agreement Data**
- Int. Filing Date: **Oct. 1, 2015**
- Int. Reg. No.: **DM/087696**
- Int. Reg. Date: **Oct. 1, 2015**
- Int. Reg. Pub. Date: **Oct. 16, 2015**

- (51) **LOC (10) Cl.** **22-01**
- (52) **U.S. Cl.**
- USPC **D22/108**
- (58) **Field of Classification Search**
- USPC D22/108; 89/14.3
- CPC F41A 21/28; F41A 21/32; F41A 21/34; F41A 21/36; F41A 21/41; F41A 21/325
- See application file for complete search history.

- (56) **References Cited**
- U.S. PATENT DOCUMENTS

2,124,075	A *	7/1938	Moore	F41A 21/325	89/14.1
5,020,416	A *	6/1991	Tripp	F41A 21/38	89/14.3
5,092,223	A *	3/1992	Hudson	F41A 21/38	89/14.2
D384,389	S *	9/1997	Cyktich	D22/108	

OTHER PUBLICATIONS

Ideue, Dennis. "Flash Suppressors, Muzzle Brakes & Compensators—Just the Tip of the Barrel." Recoil Web., Aug. 3, 2013 [online], [retrieved on Sep. 18, 2016]. Retrieved from the Internet <URL: <http://www.recoilweb.com/preview-flash-suppressors-muzzle-brakes-compensators-tip-barrel-5927.html>>.*

(Continued)

Primary Examiner — Darlington Ly
(74) *Attorney, Agent, or Firm* — Knobbe, Martens, Olson & Bear, LLP

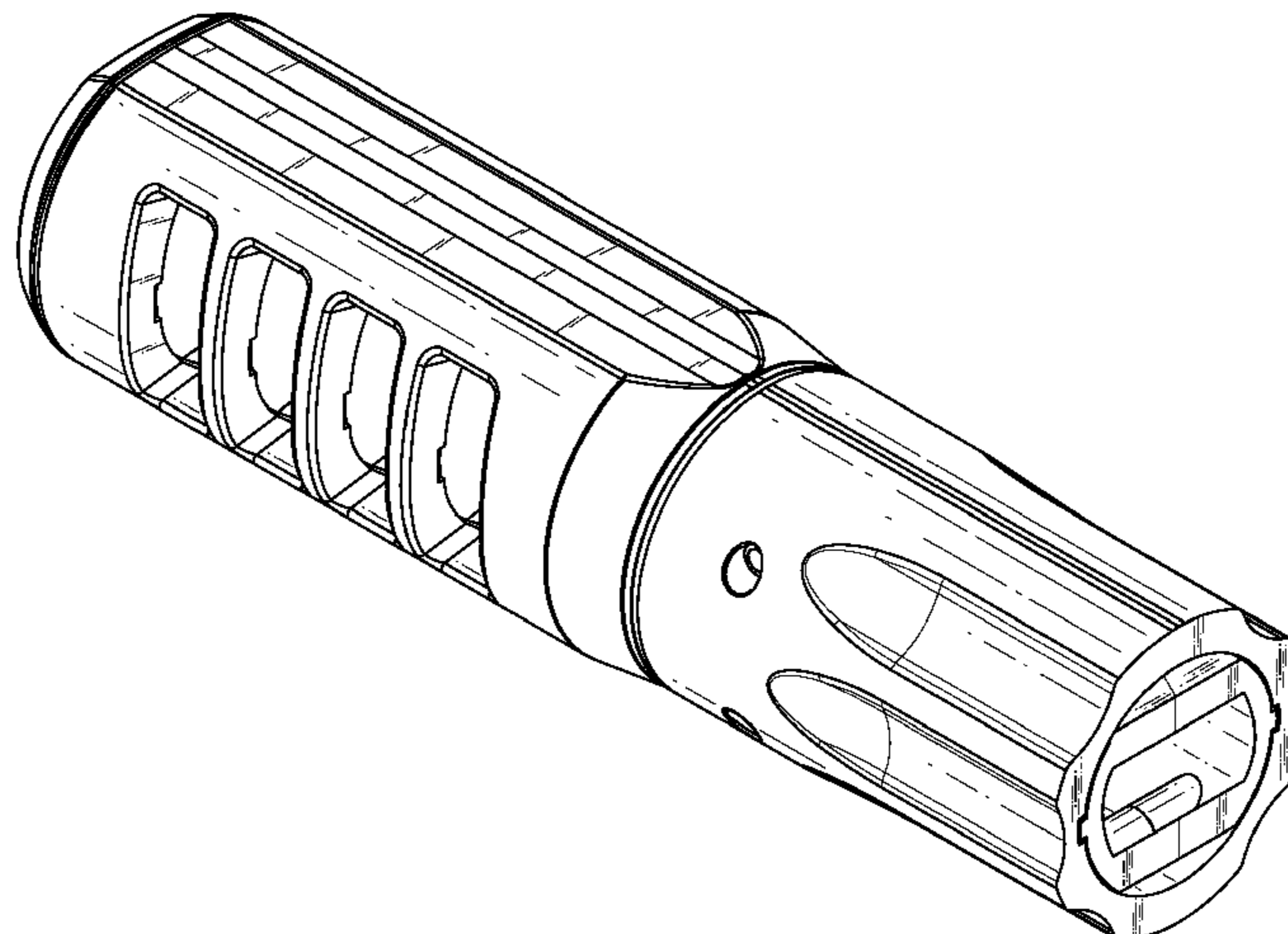
(57) **CLAIM**

The ornamental design for a muzzle brake, as shown and described.

DESCRIPTION

- 1. Muzzle brake
- 1.1 is a front perspective view of the muzzle brake showing our new design;
- 1.2 is a right side elevation view thereof;
- 1.3 is a left side elevation view thereof;
- 1.4 is a top plan view thereof;
- 1.5 is a bottom plan view thereof;
- 1.6 is a front elevation view thereof; and
- 1.7 is a rear elevation view thereof.

1 Claim, 6 Drawing Sheets



(56)

References Cited

U.S. PATENT DOCUMENTS

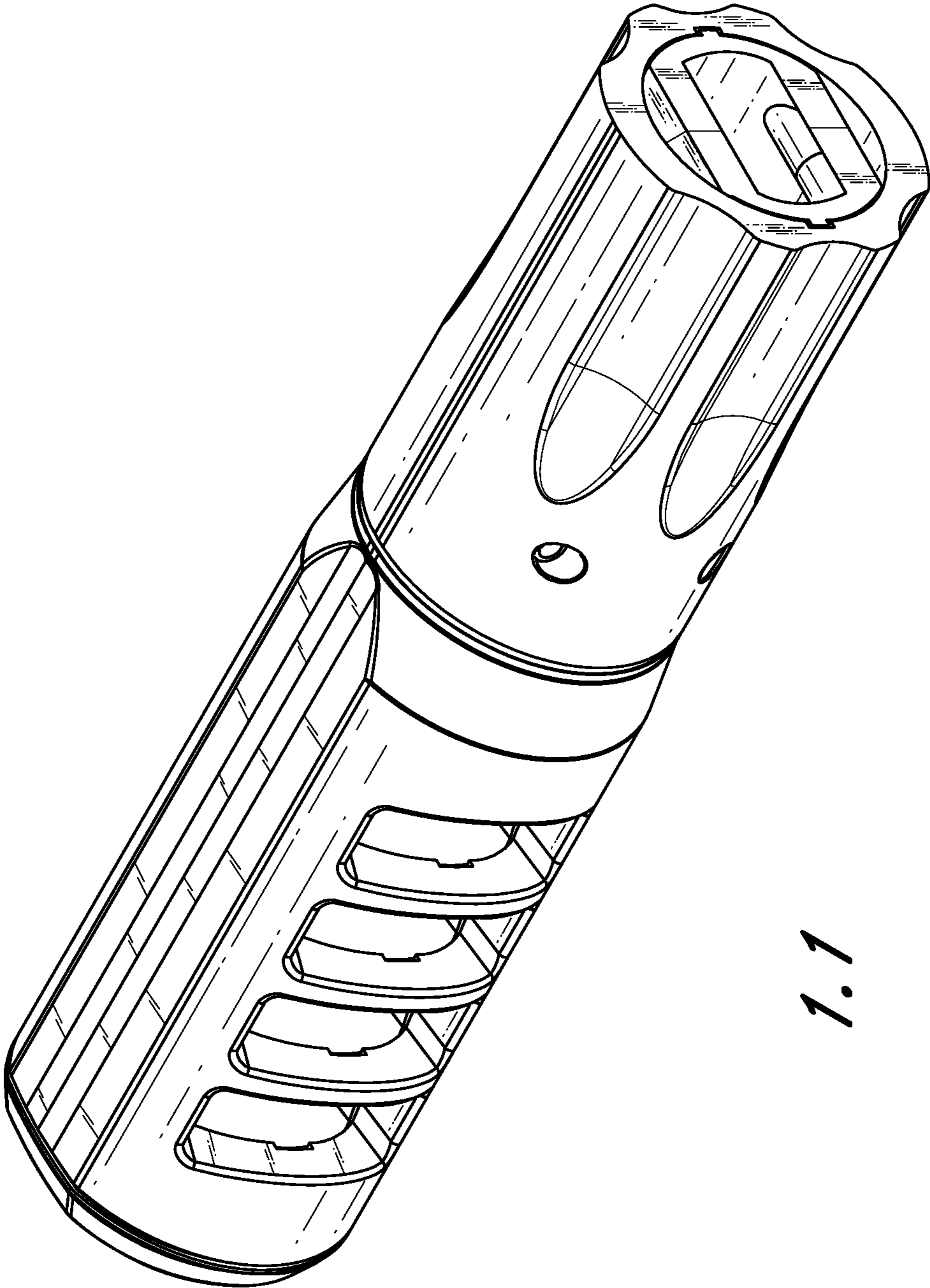
9,228,789	B1 *	1/2016	Oglesby	F41A 21/36
D754,275	S *	4/2016	Geissele	D22/108
9,310,152	B1 *	4/2016	Poling	F41A 21/36
2010/0224054	A1 *	9/2010	Langner	F41A 21/36 89/14.3
2010/0275492	A1 *	11/2010	Moller	F41A 21/40 42/79
2012/0180352	A1 *	7/2012	Addis	F41A 21/32 42/1.06
2012/0228052	A1 *	9/2012	Findlay	F41A 21/30 181/223
2014/0165438	A1 *	6/2014	Wilkinson	F41A 21/36 42/1.06
2015/0308778	A1 *	10/2015	Vossler	F41A 21/36 89/14.3

OTHER PUBLICATIONS

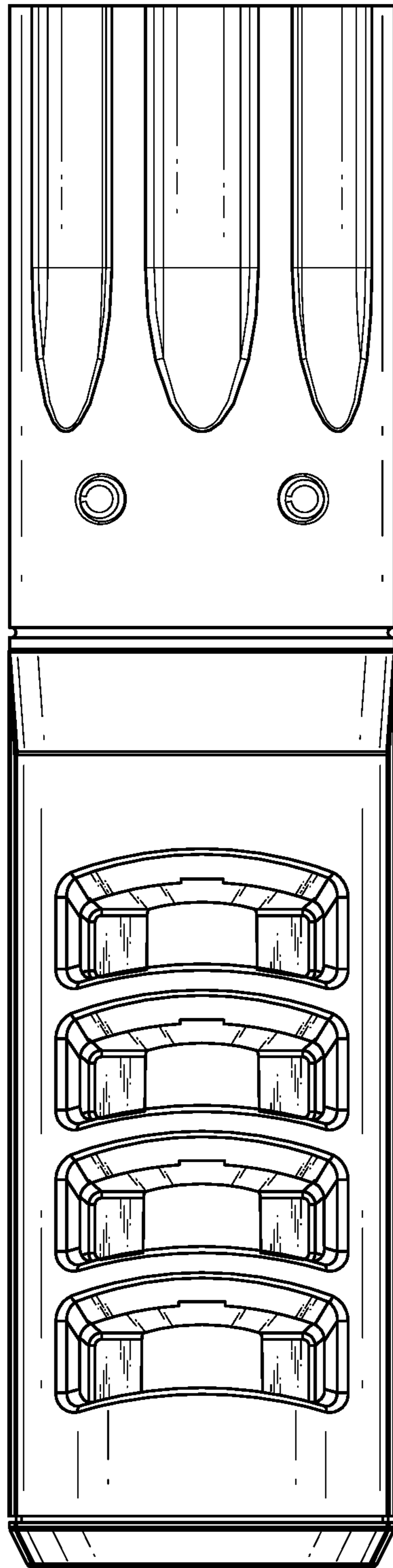
“Muzzle Brake: Summary of Field Test Results.” Precision Rifle Blog., Aug. 21, 2015 [online], [retrieved on Sep. 18, 2016]. Retrieved from the Internet <URL: <http://precisionrifleblog.com/2015/08/21/muzzle-brake-summary-of-field-test-results/>>.*

“Shot Show 2012 Wrap Up.” Daniel Defense., Feb. 3, 2012 [online], [retrieved on Sep. 18, 2016]. Retrieved from the Internet <URL: https://danieldefense.com/files/dd_news/ddnews-feb3-hardcode.html>.*

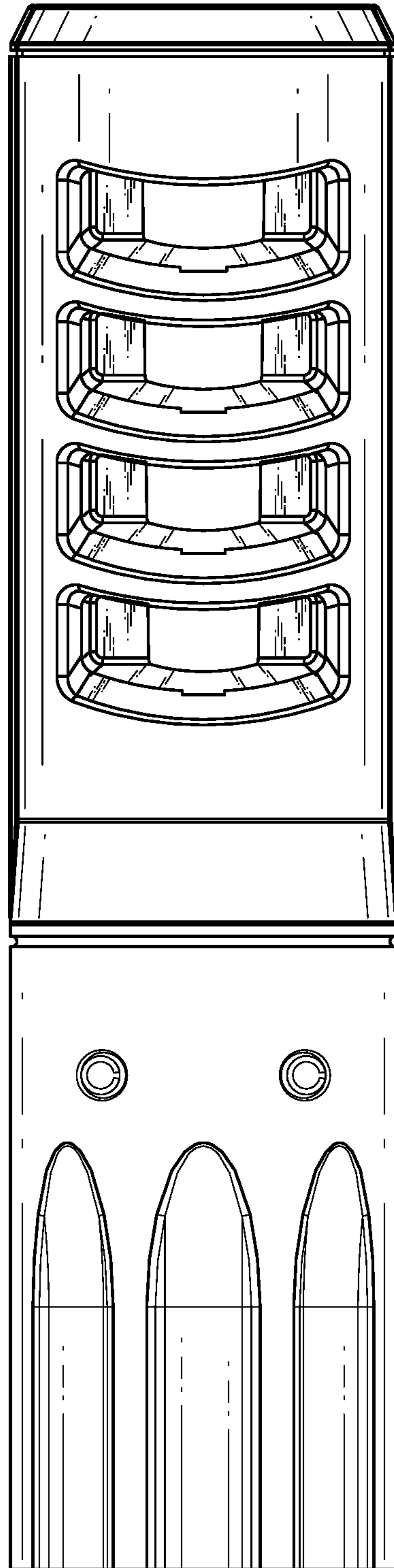
* cited by examiner



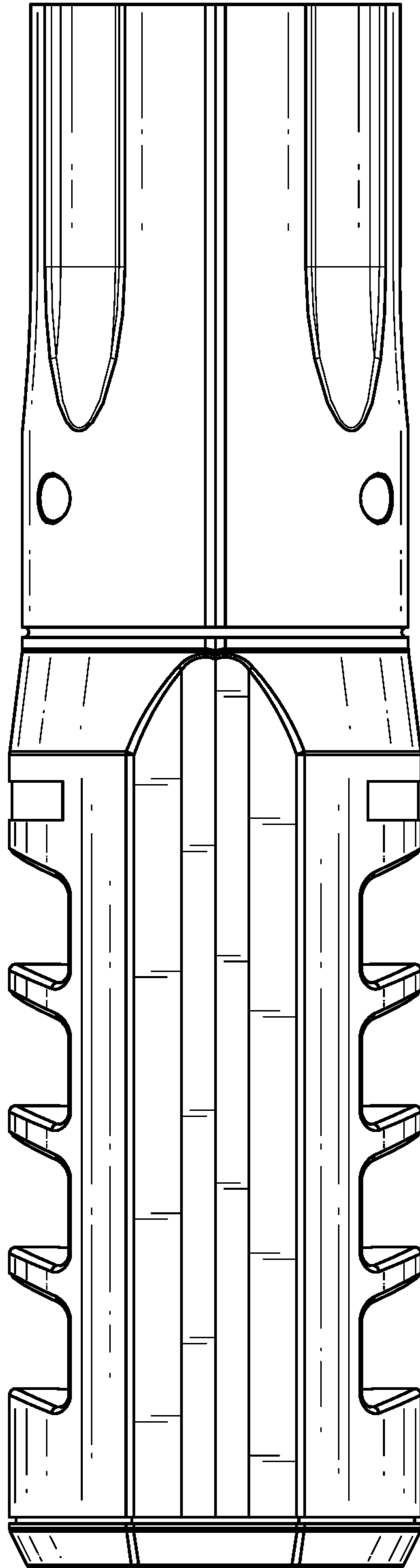
1.1



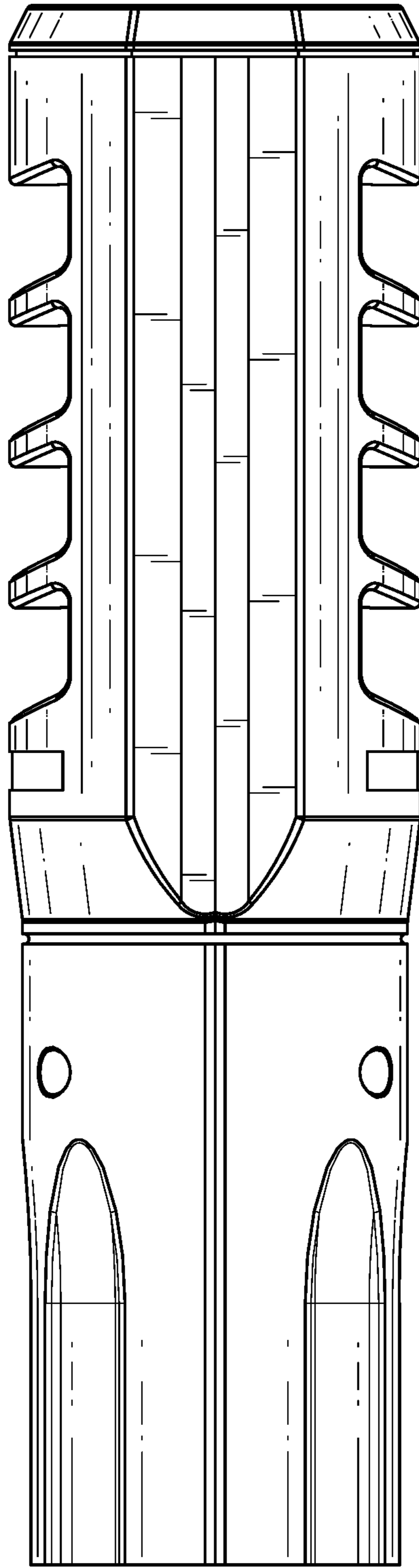
1.2



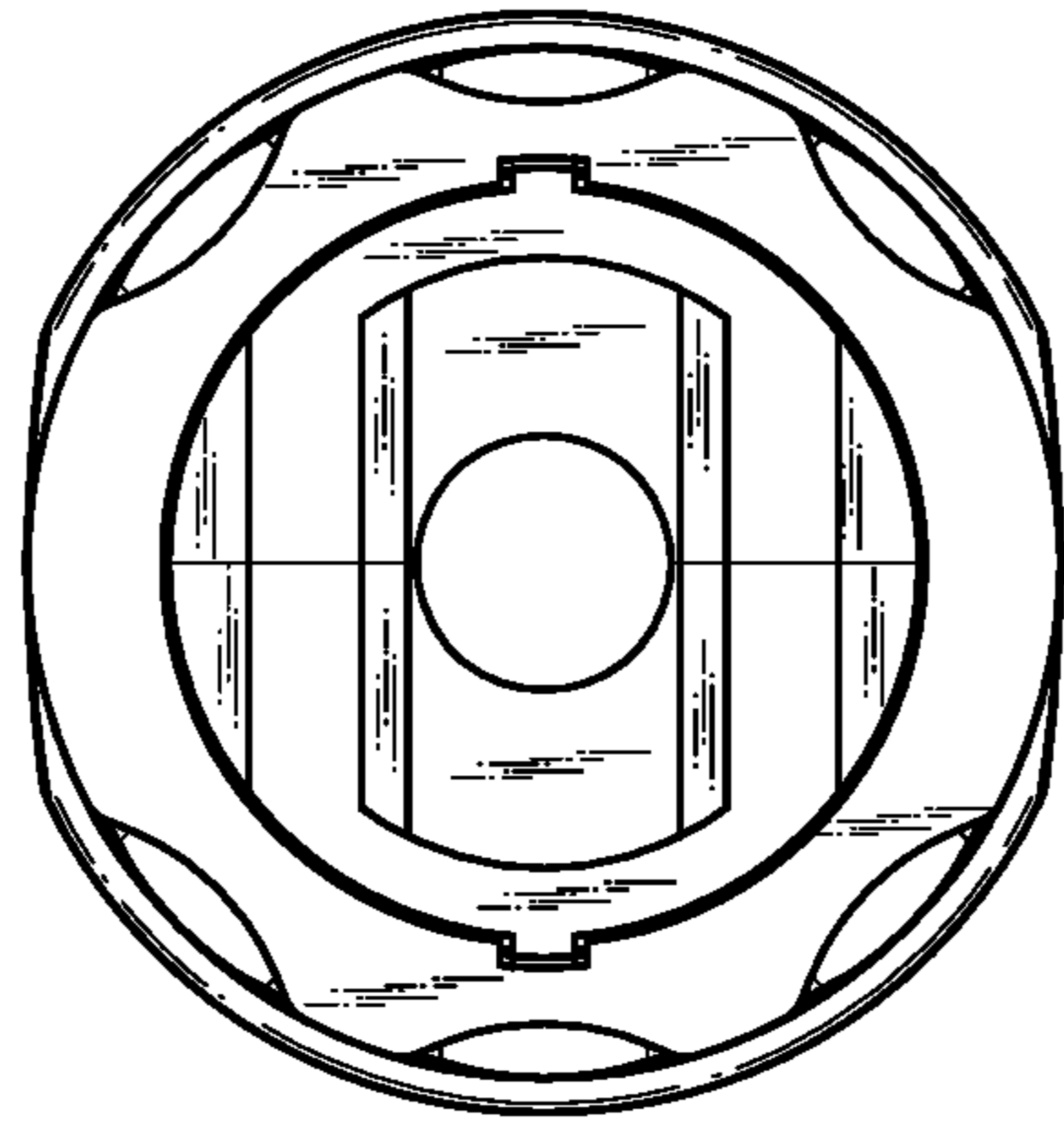
1.3



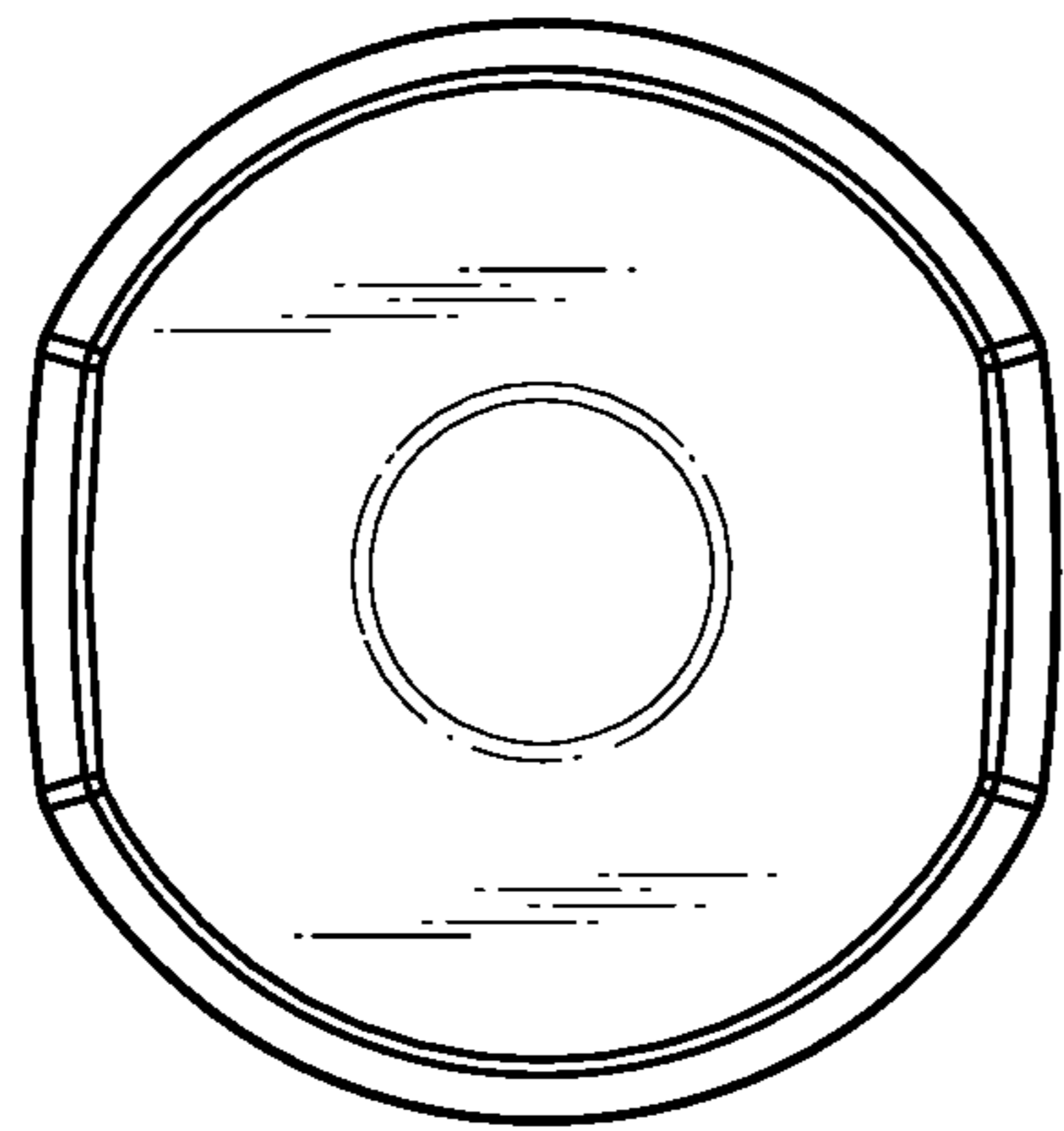
1.4



1.5



1.7



1.6