



US00D779018S

(12) **United States Design Patent**
Zayatz et al.

(10) **Patent No.:** **US D779,018 S**
(45) **Date of Patent:** **** Feb. 14, 2017**

(54) **ADJUSTABLE BUTTSTOCK FOR A FIREARM**

(71) Applicant: **Magpul Industries Corporation**,
Louisville, CO (US)

(72) Inventors: **Richard A. Zayatz**, Longmont, CO (US); **Yehezkel Eitan**, Johnstown, CO (US); **Jonathan Canipe**, Erie, CO (US); **Eric S. Nakayama**, Broomfield, CO (US)

(73) Assignee: **Magpul Industries Corporation**,
Louisville, CO (US)

(**) Term: **15 Years**

(21) Appl. No.: **29/551,199**

(22) Filed: **Jan. 11, 2016**

(51) **LOC (10) Cl.** **22-01**

(52) **U.S. Cl.**
USPC **D22/108**

(58) **Field of Classification Search**
USPC D22/108, 103, 109, 100, 101, 104, 105,
D22/110; D21/401, 461, 567, 568,
D21/570-575; 124/16, 26, 27, 28, 29, 54,
124/73-77; 222/78, 79; 42/54, 57, 58,
42/71.01, 72, 73, 74, 75.03, 90; 446/23,
446/182, 192, 401, 403, 405-407, 473,
446/475
CPC F41C 23/00; F41C 23/02; F41C 23/04;
F41C 23/06; F41C 23/08; F41C 23/10;
F41C 23/12; F41C 23/14; F41C 23/16;
F41C 23/18; F41C 23/20; F41C 23/22
See application file for complete search history.

3,348,328 A * 10/1967 Roy F41C 23/04
42/73

3,618,249 A 11/1971 Grandy

3,710,496 A 1/1973 Packmayr

D241,836 S 10/1976 Ruger

4,120,108 A 10/1978 Vickers

4,122,623 A 10/1978 Stice

4,203,243 A 5/1980 Hickman

4,383,384 A * 5/1983 Fox F41C 23/04
42/72

4,589,219 A 5/1986 Milliman

4,663,877 A 5/1987 Bragg

D297,855 S 9/1988 Ruger

4,788,785 A 12/1988 White

4,896,446 A 1/1990 Gregory

5,031,348 A 7/1991 Carey

5,075,995 A 12/1991 Kennel

D324,557 S 3/1992 Livingston

D382,037 S * 8/1997 Scott D22/100

5,933,997 A 8/1999 Barrett

6,543,172 B1 * 4/2003 Armstrong F41C 23/22
42/71.01

6,598,330 B2 7/2003 Garrett

6,637,141 B1 10/2003 Weatherby

D514,123 S 1/2006 Naruki

D515,637 S * 2/2006 Hatcher D21/573

D516,660 S 3/2006 Murello

D516,807 S 3/2006 Richardson

D517,637 S 3/2006 Murello

D523,096 S * 6/2006 Pflaumer D21/573

7,162,823 B2 1/2007 Schoppman

D551,313 S 9/2007 Saur

D589,578 S 3/2009 Choma

D603,013 S 10/2009 Fitzpatrick

D606,614 S 12/2009 Fitzpatrick

D607,078 S * 12/2009 Chu D22/109

7,647,719 B2 1/2010 Fitzpatrick

D610,218 S * 2/2010 Barrett D22/103

7,810,270 B2 10/2010 Fitzpatrick

7,827,722 B1 11/2010 Davies

D636,833 S 4/2011 Mayberry

D636,834 S 4/2011 Mayberry

D640,342 S 6/2011 Fitzpatrick

7,984,580 B1 * 7/2011 Giauque F41C 23/06
42/73

D645,110 S * 9/2011 Cook D22/108

D645,533 S 9/2011 Peterson

D648,412 S * 11/2011 Cook D22/108

D661,366 S 6/2012 Zusman

D661,768 S 6/2012 Keng

D665,042 S * 8/2012 Kellgren D22/103

D667,072 S * 9/2012 Kriegleder D22/103

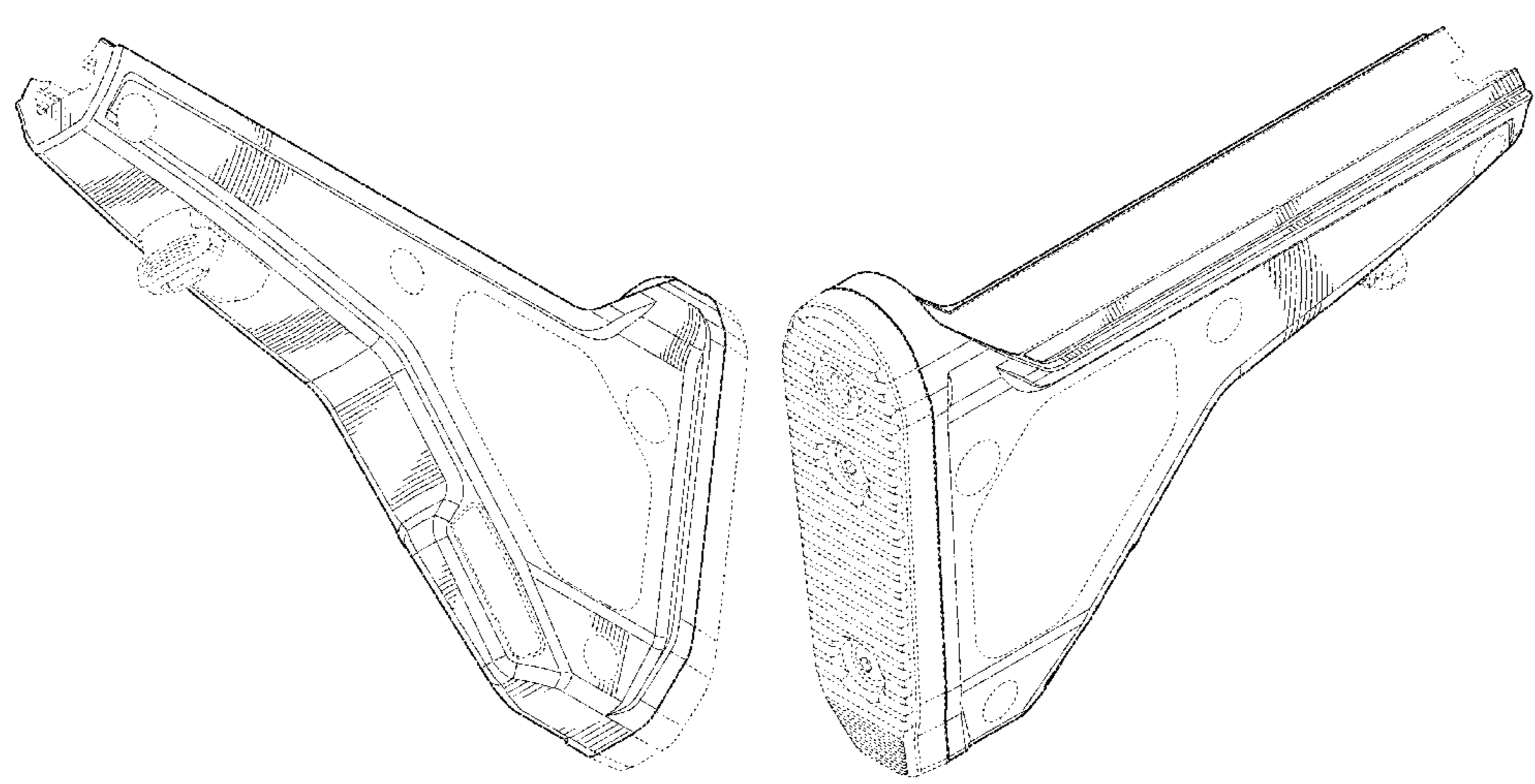
(56) **References Cited**

U.S. PATENT DOCUMENTS

922,173 A 5/1909 Lovelace

1,032,628 A 7/1912 Sherman

1,651,299 A 11/1927 Stansel



8,296,984	B2 *	10/2012	Kincel	F41A 3/84 42/1.06
D671,183	S *	11/2012	Lucansky	D22/103
8,381,427	B2 *	2/2013	Nill	F41C 23/14 42/71.01
D680,611	S	4/2013	Emde		
8,429,844	B2 *	4/2013	Dextraze	F41A 3/18 42/73
D683,808	S	6/2013	Elkaim		
8,453,365	B1 *	6/2013	Ballard	F41C 23/14 42/71.01
D695,377	S	12/2013	Mayberry		
8,656,622	B2	2/2014	Peterson		
8,656,623	B1 *	2/2014	Chvala	F41C 23/04 42/73
D704,294	S	5/2014	Jarboe		
8,720,099	B1	5/2014	Sisk		
8,769,854	B1 *	7/2014	Battaglia	F41A 3/66 42/71.01
D710,477	S *	8/2014	Kauranen	D22/108
D710,478	S *	8/2014	Kauranen	D22/108
D712,998	S *	9/2014	Gomez	D22/108
8,844,185	B2 *	9/2014	Jarboe	F41C 23/04 42/73
D722,671	S *	2/2015	Mayberry	D22/108
8,955,245	B2 *	2/2015	Chvala	F41C 23/14 42/1.06
D725,215	S *	3/2015	Eberle	D22/108
8,978,285	B1 *	3/2015	Burke	F41C 23/14 42/73
9,015,980	B2 *	4/2015	Shull	F41C 23/04 42/72
D736,340	S	8/2015	Mayberry		
9,228,795	B1 *	1/2016	Kielsmeier	F41C 23/14
9,285,184	B1 *	3/2016	Cianci	F41C 23/20
D755,329	S *	5/2016	Kielsmeier	D22/108
9,377,255	B2 *	6/2016	Karagias	F41A 35/06
2007/0130817	A1	6/2007	Ballard		
2008/0028662	A1	2/2008	Abraham		
2008/0052979	A1	3/2008	Lee		
2008/0168695	A1	7/2008	Nakayama		
2008/0236016	A1	10/2008	Fitzpatrick		
2008/0236017	A1	10/2008	Fitzpatrick		
2009/0241397	A1	10/2009	Fitzpatrick		
2010/0115817	A1	5/2010	Faifer		
2010/0162608	A1 *	7/2010	McCann	F41C 23/16 42/71.01
2010/0205846	A1	8/2010	Fitzpatrick		
2010/0251590	A1	10/2010	Fitzpatrick		
2011/0107643	A1 *	5/2011	Fitzpatrick	F41C 23/16 42/72
2011/0131857	A1 *	6/2011	Kuczynko	F41A 3/84 42/73
2012/0137561	A1 *	6/2012	Ludlow	F41C 23/04 42/75.03
2014/0075815	A1	3/2014	Jarboe		
2014/0196343	A1 *	7/2014	Wilson	F41C 23/14 42/71.01
2015/0338187	A1 *	11/2015	Priddy	F41C 23/22 42/71.01
2016/0187099	A1 *	6/2016	Cottle	F41C 23/14 42/73

OTHER PUBLICATIONS

UBR Collapsible Stock, Magpul, [online], [site visited Sep. 30, 2016]. <URL: <https://www.magpul.com/products/firearms-accessories/buttstocks/ubr-collapsible-stock>>.*

Magpul MOE Fixed Stock Mil Spec AR-15—MAG480, AT3 Tactical, [online], [site visited Sep. 30, 2016]. <URL: <http://www.at3tactical.com/collections/fde-ar15-furniture-flat-dark-earth-ar-15-furniture-by-hogue-magpul-ergo-troy-and-more/products/mag480-magpul-magpul-moe-fixed-stk-milspec>>.*

FAB Defense Tactical Side Folding Buttstock with Adjustable Cheek Rest AK-47 Stamped Receivers Synthetic Black, MidwayUSA, [online], [site visited Sep. 30, 2016]. <URL: <http://www.midwayusa.com/product/432379/fab-defense-tactical-side-folding-buttstock-with-adjustable-cheek-rest-ak-47-stamped-receivers-synthetic-black>>.*

FAB Defense Recoil Reducing Collapsible Buttstock Assembly AK-47, AK-74 Polymer, MidwayUSA, [online], [site visited Sep. 30, 2016]. <URL: <http://www.midwayusa.com/product/2704211913/fab-defense-recoil-reducing-collapsible-buttstock-assembly-ak-47-ak-74-polymer>>.*

Archangel OPFOR Adjustable Stock AKk-47 Polymer, MidwayUSA, [online], [site visited Sep. 30, 2016]. <URL: <http://www.midwayusa.com/product/3357223614/archangel-opfor-adjustable-stock-ak-47-polymer>>.*

Ace LTD (HMR) Hammer Stock, AR Replacement-Stock Options, Part 1, The Shooter's Log, by Robert Sadowski, published on Aug. 15, 2014 in Firearms, [online], [site visited Sep. 30, 2016]. <URL: <http://blog.cheaperthandirt.com/ar-replacement-stock-options-part/>>.*

ProMag Archangel AK-Series Adjustable Buttstock in Black, Centerfire Systems, [online], [site visited Sep. 30, 2016]. <URL: <http://www.centerfiresystems.com/STKAKA-PM-BL.aspx>>.*

GLR-16 AR15/M16 Buttstock, FAB Defense, [online], [site visited Sep. 30, 2016]. <URL: <http://www.fab-defense.com/en/category-butt-stocks/id-8/ar15-m16-butt-stock.html>>.*

Command Arms SRS Product Info Online 2008 Command Arms Accessories Online Catalog (2008) SRS Product Information. Ergo Grip 2014 Ergo Grip (Oct. 21, 2014) Ergo F93 Pro Stock™ Website [Online] Available Website: <http://ergogrips.net/products/ergo-f93-pro-stock.html>; Last Update: Jun. 24, 2015; Accessed on: Jan. 18, 2016.

HK PSG1A1 Product Online 2008 Heckler & Koch Online Catalog (2008) PSG1A1 Product Information. Magpul 2007 PRS FAL Online Catalog Magpul Online Catalog (2007) FAL Preproduction Product Information. Magpul 2007 PRS AR15M16 Online Catalog Magpul Online Catalog (2007) PRS AR15/M16 Product Information. Magpul 2015 Buttstocks UBR Collapsible Stock Magpul Industries Corporation (Jan. 23, 2015) UBR® Collapsible Stock; Website [Online] Available Website: <https://www.magpul.com/search-results?PID=88&eComQuery=MAG330&ProductNumber=MAG330>; Last Update: Feb. 26, 2015; Accessed on: Jan. 18, 2015.

Shockwave NE Plus Ultra Shockwave NE Plus Ultra (Sep. 4, 2014) Shockwave Introduces the Blade AR Pistol Stabilizer; Website [Online] Available Website: <http://shockwavetechnologies.com/site/?p=1724>; Last Update: May 28, 2015; Accessed on: Jan. 18, 2016.

Design U.S. Appl. No. 29/399,326, “ACS Rifle Stock” filed Aug. 12, 2011, by Fitzpatrick.

Design U.S. Appl. No. 29/551,197 “Adjustable Buttstock for a Firearm” filed Jan. 11, 2016.

* cited by examiner

Primary Examiner — T. Chase Nelson
 Assistant Examiner — Jonathan J Han
 (74) Attorney, Agent, or Firm — Swanson & Bratschun, L.L.C.

(57) CLAIM

The ornamental design for an adjustable buttstock for a firearm, as shown and described.

DESCRIPTION

FIG. 1 is a left, front, bottom perspective view of an adjustable buttstock for a firearm showing our new design; FIG. 2 is a right, rear, top view of the adjustable buttstock for a firearm of FIG. 1; FIG. 3 is a right side elevation view of the adjustable buttstock for a firearm of FIG. 1;

FIG. **4** is a left side elevation view of the adjustable buttstock for a firearm of FIG. **1**;

FIG. **5** is a rear elevation view of the adjustable buttstock for a firearm of FIG. **1**;

FIG. **6** is a front elevation view of the adjustable buttstock for a firearm of FIG. **1**;

FIG. **7** is a top plan view of the adjustable buttstock for a firearm of FIG. **1**; and,

FIG. **8** is a bottom plan view of the adjustable buttstock for a firearm of FIG. **1**.

The broken lines showing portions of the design in all figures are included for the purpose of illustrating environment and unclaimed features and form no part of the claimed design. In some instances the broken lines indicate a boundary line and the unshaded surfaces within the boundary line form no part of the claimed design. The long-short segment broken line indicates an unclaimed upper receiver portion of the adjustable buttstock for a firearm and forms no part of the claimed design.

1 Claim, 6 Drawing Sheets

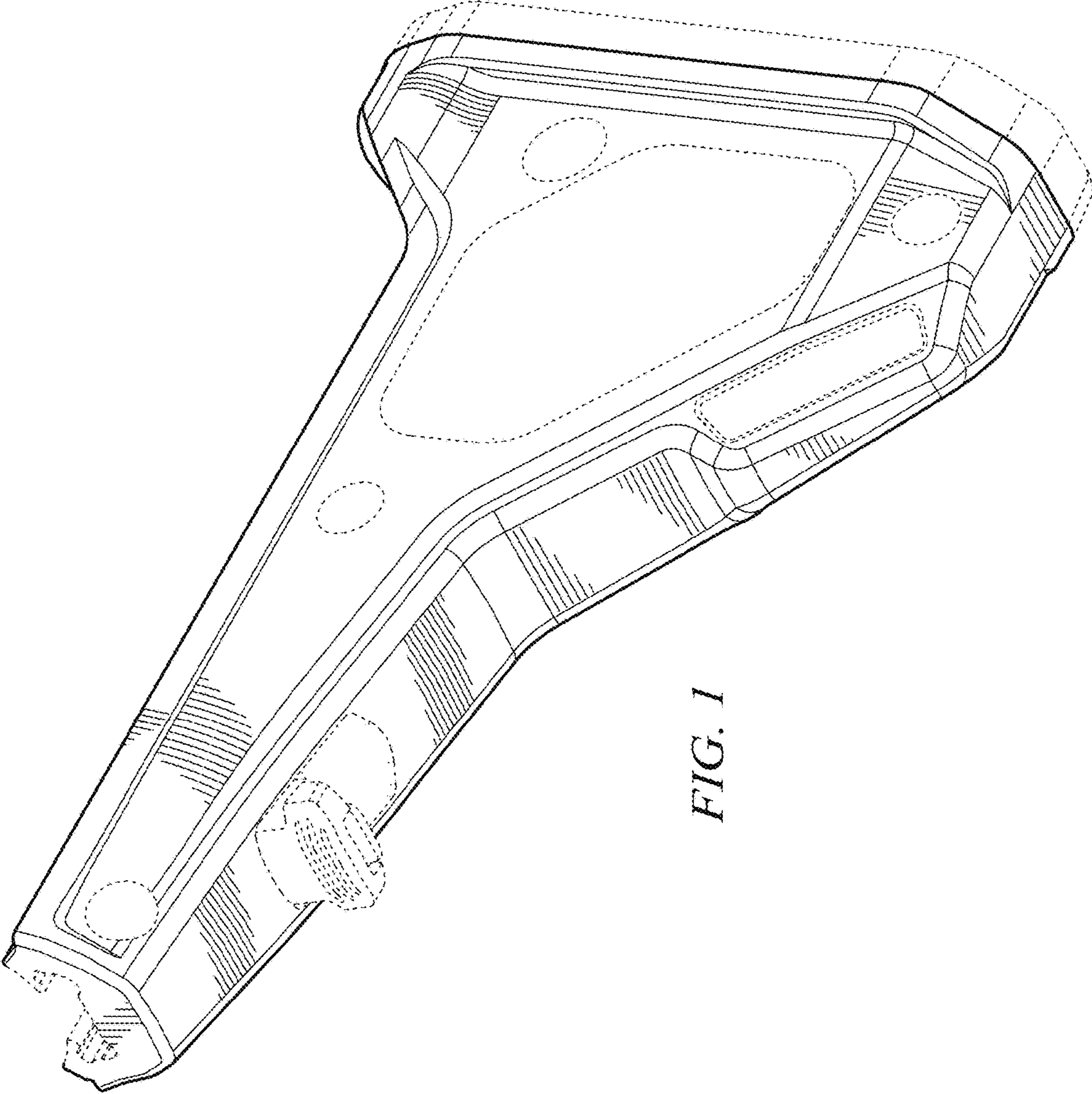
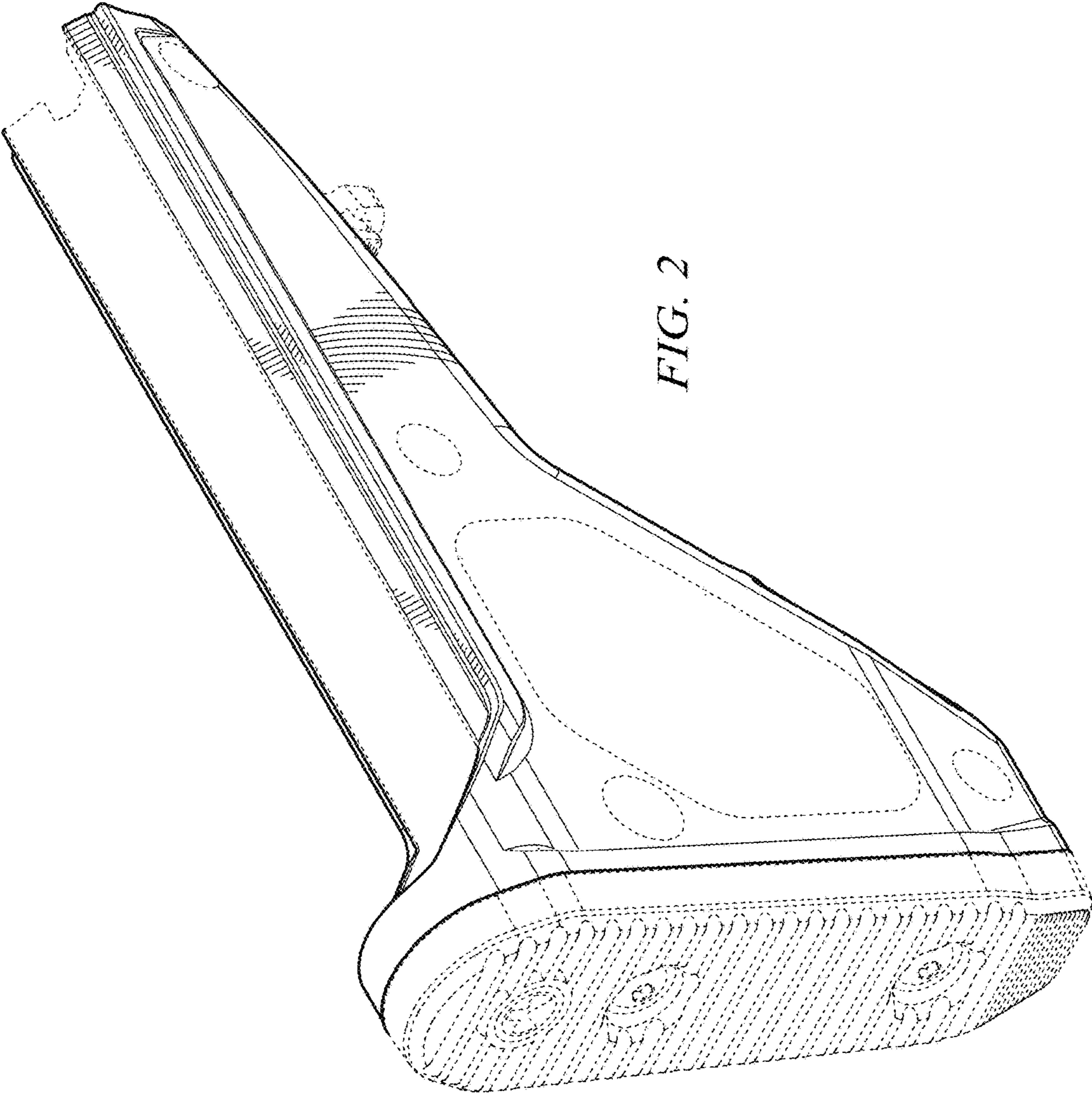


FIG. 1



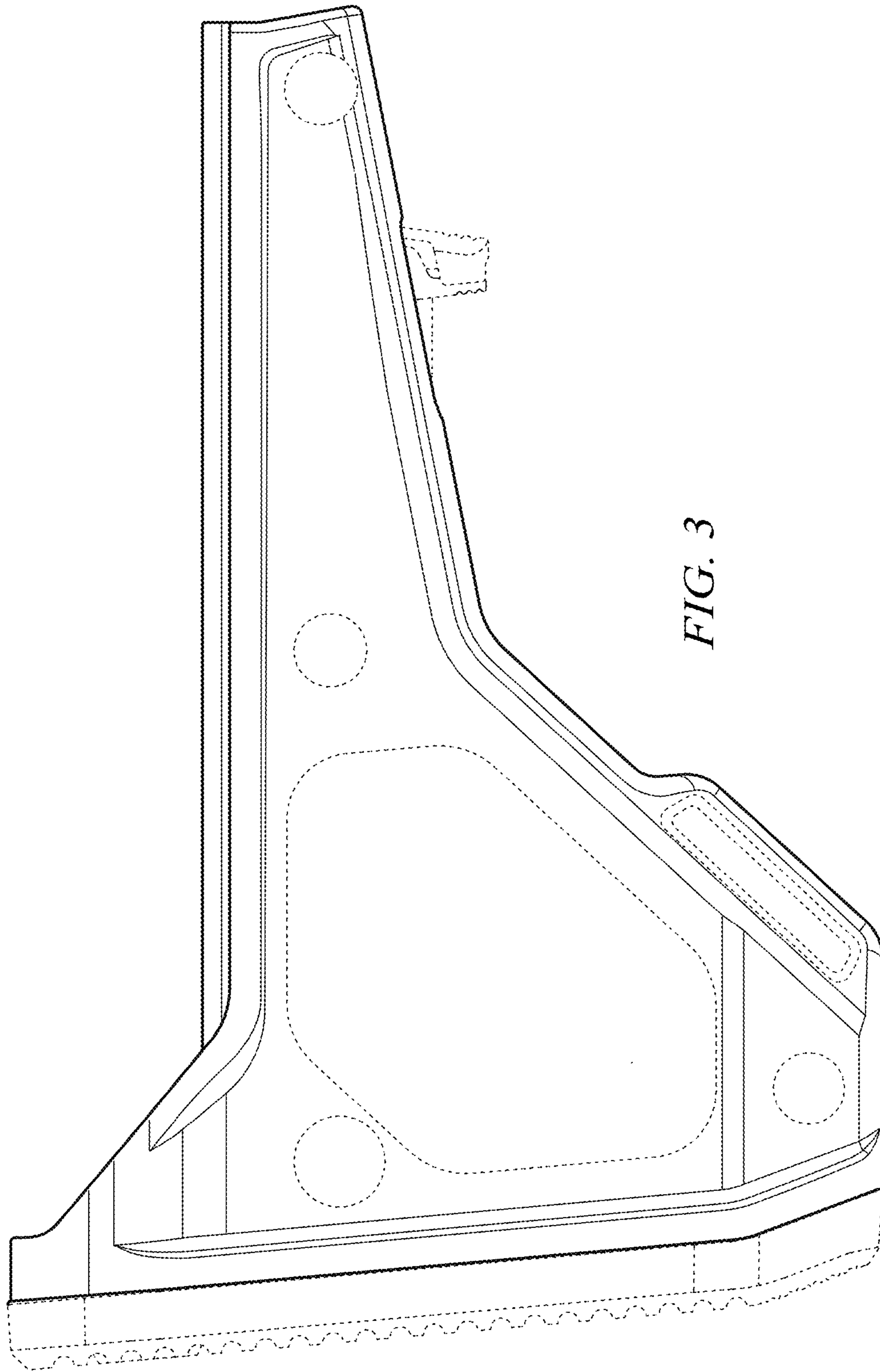


FIG. 3

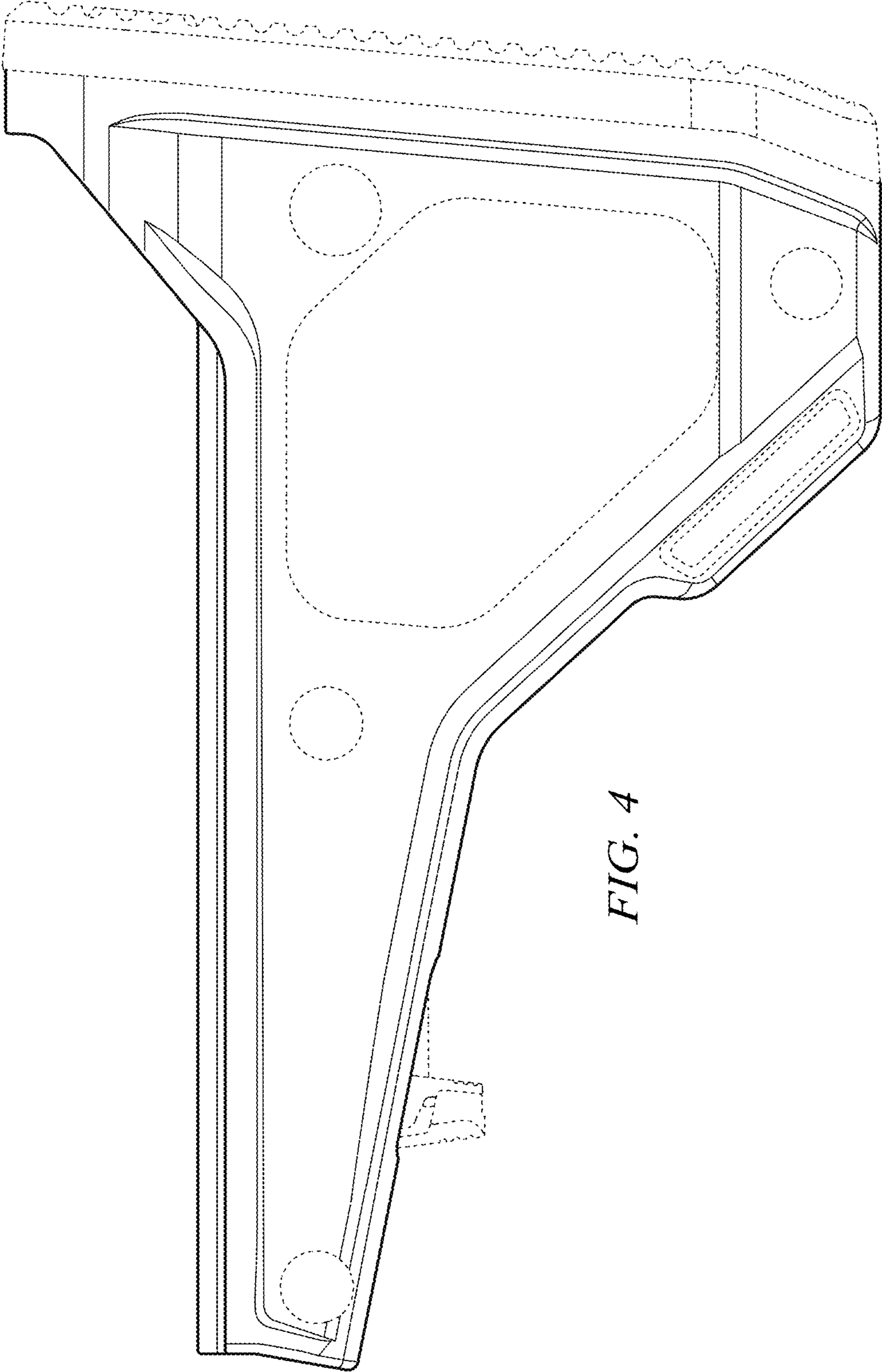


FIG. 4

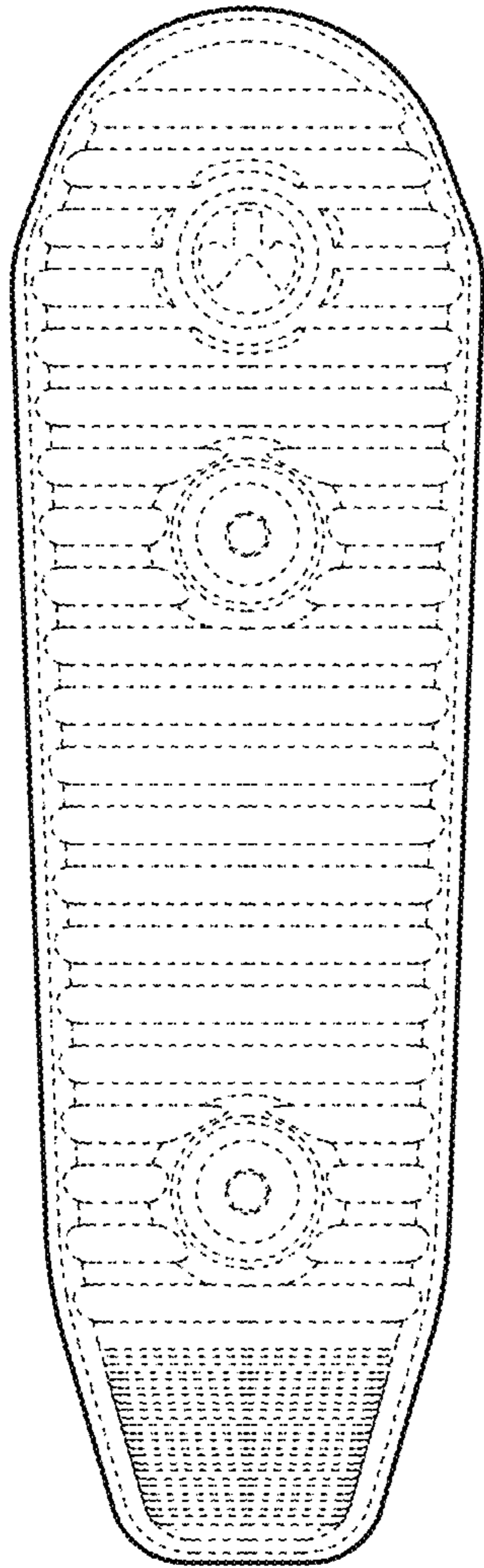


FIG. 5

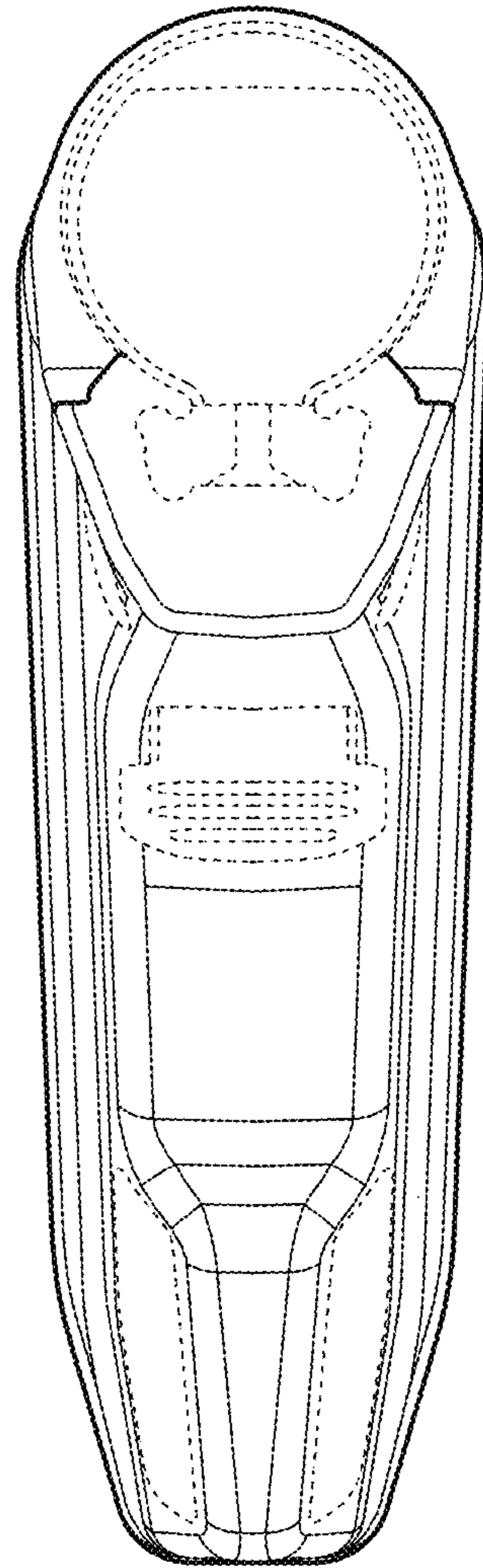


FIG. 6

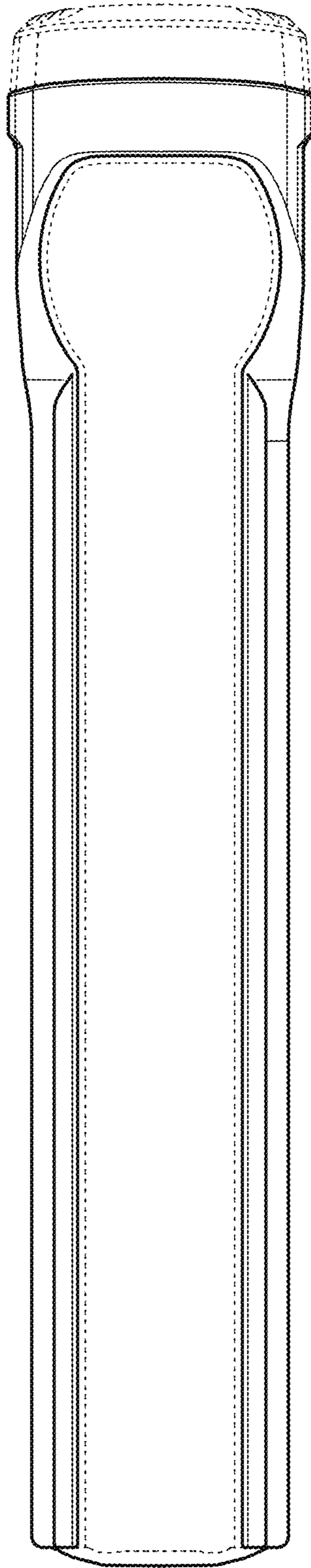


FIG. 7

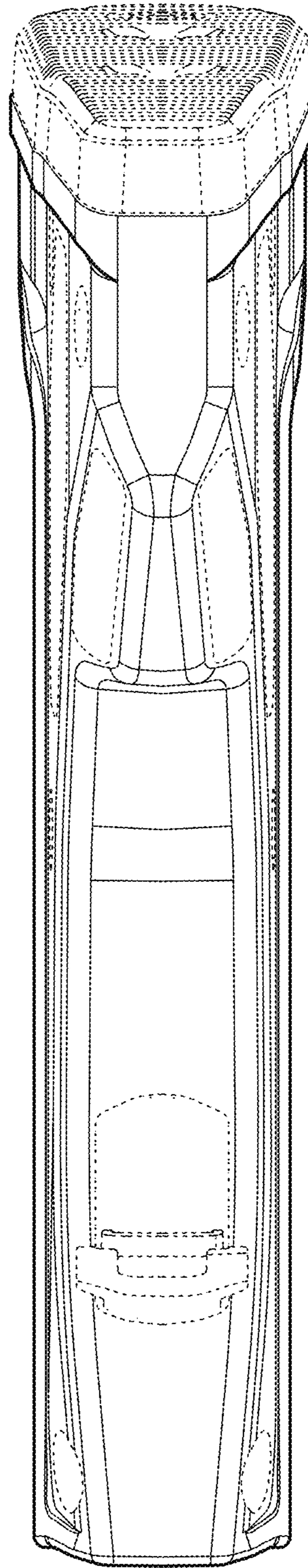


FIG. 8

UNITED STATES PATENT AND TRADEMARK OFFICE
CERTIFICATE OF CORRECTION

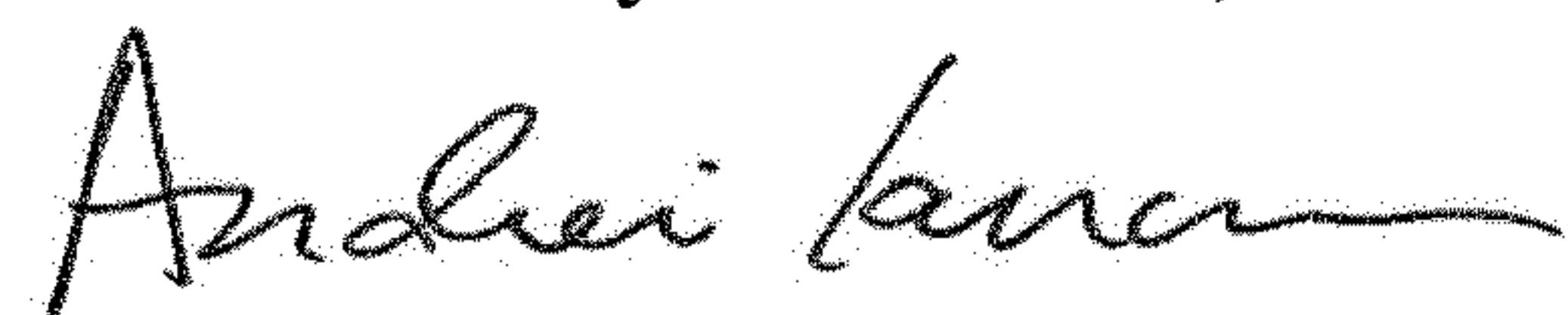
PATENT NO. : D779,018 S
APPLICATION NO. : 29/551199
DATED : February 14, 2017
INVENTOR(S) : Eitan et al.

Page 1 of 1

It is certified that error appears in the above-identified patent and that said Letters Patent is hereby corrected as shown below:

(72) Inventors should read: Yehezkel Eitan, Johnstown, CO
Timothy E. Roberts, Broomfield, CO
Michael T. Mayberry, Denver, CO
Richard Fitzpatrick, West Lake Hills, TX

Signed and Sealed this
Second Day of October, 2018



Andrei Iancu
Director of the United States Patent and Trademark Office