



US00D779017S

(12) **United States Design Patent**
Liu

(10) **Patent No.:** **US D779,017 S**
(45) **Date of Patent:** **** Feb. 14, 2017**

- (54) **ANGLED FORE GRIP**
- (71) Applicant: **POE LANG ENTERPRISE CO., LTD.**, Taichung (TW)
- (72) Inventor: **Chi-Chang Liu**, Taichung (TW)
- (73) Assignee: **POE LANG ENTERPRISE CO., LTD.**, Taichung (TW)
- (**) Term: **15 Years**
- (21) Appl. No.: **29/551,063**
- (22) Filed: **Jan. 10, 2016**
- (51) **LOC (10) Cl.** **22-01**
- (52) **U.S. Cl.**
USPC **D22/108**
- (58) **Field of Classification Search**
USPC D22/100, 101, 102, 106, 107, 108, 199;
362/109–114; 42/90, 94, 114, 117,
42/124–127, 131, 146
CPC F41C 23/10; F41C 23/14; F41C 23/16;
F41C 23/18
See application file for complete search history.

(56) **References Cited**

U.S. PATENT DOCUMENTS

- 5,551,157 A * 9/1996 Wu B26B 13/12
30/251
- D379,910 S * 6/1997 Hannen D8/29.1
- D418,177 S * 12/1999 Lebensfeld D21/574
- 6,009,600 A * 1/2000 Egeland B25G 1/102
16/430
- D484,289 S * 12/2003 Berthier D32/70
- D517,389 S * 3/2006 Collins D8/107
- D643,497 S * 8/2011 Fitzpatrick D22/108
- 8,112,916 B2 * 2/2012 Lin D06F 75/08
38/89
- D664,605 S * 7/2012 Mead D21/573
- D665,043 S * 8/2012 Fitzpatrick D22/108
- D698,405 S * 1/2014 Kline D22/108

- 8,627,811 B1 * 1/2014 Darlington F41B 5/1426
124/25
 - D698,885 S * 2/2014 Faifer D22/108
 - 8,701,642 B2 * 4/2014 Biafore, Jr. F41B 5/123
124/25
 - D718,830 S * 12/2014 Barnett D22/107
- (Continued)

OTHER PUBLICATIONS

Seekins Precision K20 Keymod Angled Foregrip—Black, PrimaryArms.com, [online], [site visited Oct. 13, 2016]. <URL: <http://www.primaryarms.com/sp0010560047/p/sp0010560047/>>.*

(Continued)

Primary Examiner — T. Chase Nelson
Assistant Examiner — Jonathan J Han
(74) *Attorney, Agent, or Firm* — Guice Patents PLLC

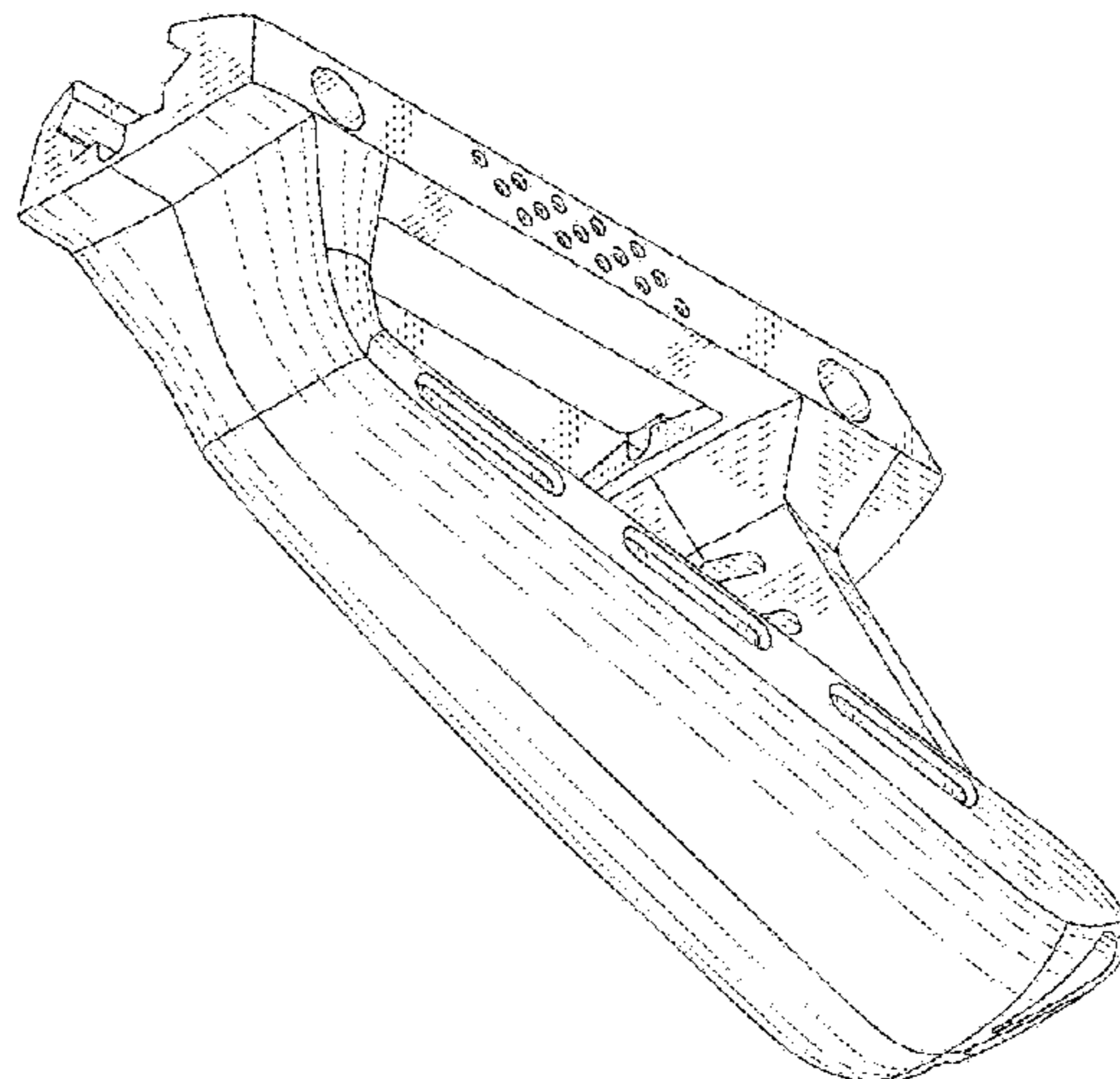
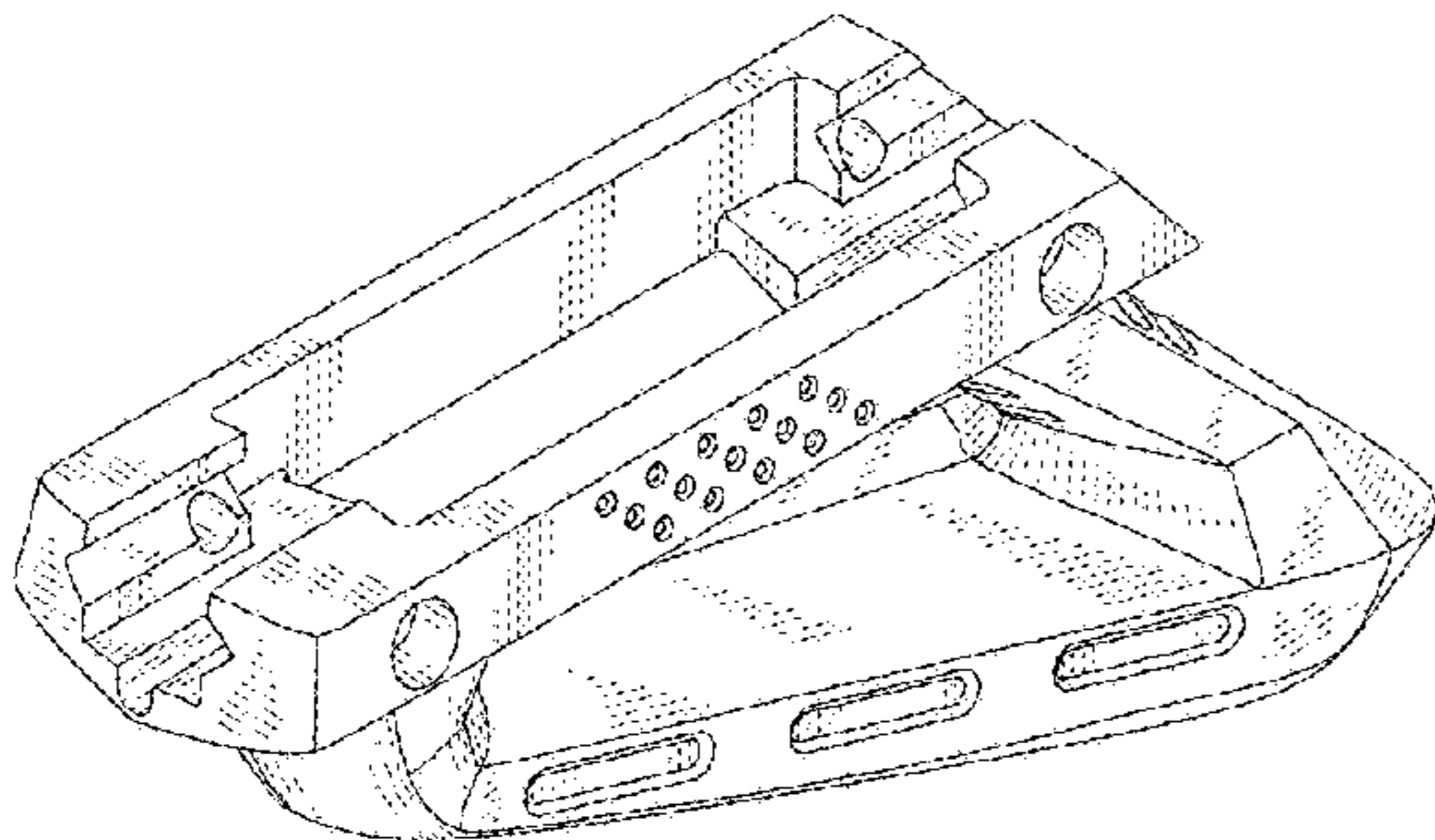
(57) **CLAIM**

The ornamental design for an angled fore grip, as shown and described.

DESCRIPTION

FIG. 1 is a perspective view of an angled fore grip showing my new design;
FIG. 2 is a front elevational view thereof;
FIG. 3 is a rear elevational view thereof;
FIG. 4 is a left side view thereof;
FIG. 5 is a right side view thereof;
FIG. 6 is a top plan view thereof;
FIG. 7 is a bottom plan view thereof;
FIG. 8 is a perspective view showing an angled fore grip from another position; and,
FIG. 9 is a view showing the application thereof, wherein the broken lines in the drawing are used to illustrate unclaimed environmental structure and form no part of the claimed design.
The ornamental design which is claimed is shown in solid lines in the drawings.

1 Claim, 8 Drawing Sheets



(56)

References Cited

U.S. PATENT DOCUMENTS

D720,409	S	*	12/2014	Li	D21/573
D728,054	S	*	4/2015	Webber	D22/108
D745,623	S	*	12/2015	Flores	D22/108
D745,629	S	*	12/2015	Barfoot	D22/108
D745,940	S	*	12/2015	Flores	D22/108
9,341,440	B2	*	5/2016	Moore	F41C 23/16
2009/0094866	A1	*	4/2009	Germain	D06F 75/28 38/75
2013/0333263	A1	*	12/2013	Hovey	F41C 23/16 42/72
2015/0184971	A1	*	7/2015	Liu	F41B 5/1403 124/25
2015/0233668	A1	*	8/2015	Moore	F41C 23/16 42/72
2016/0061560	A1	*	3/2016	Saadon	F41G 11/003 42/72

OTHER PUBLICATIONS

Angled Fore Grip, 3dPrintedSolid.com, [online], [site visited Oct. 13, 2016]. <URL: <http://www.3dprintedsolid.com/store/blaster/shop/specialized-mounts/angled-fore-grip/>>.*
Keymod Angled Foregrip by Speed Airsoft, [online], [site visited Oct. 13, 2016]. <URL: <https://www.foxairsoft.com/keymod/angled-foregrip-by-speed-airsoft/>>.*
AFG—Angled Fore Grip 1913 Picatinny, [online], [site visited Oct. 13, 2016]. <URL: <https://www.magpul.com/products/afg/>>.*

* cited by examiner

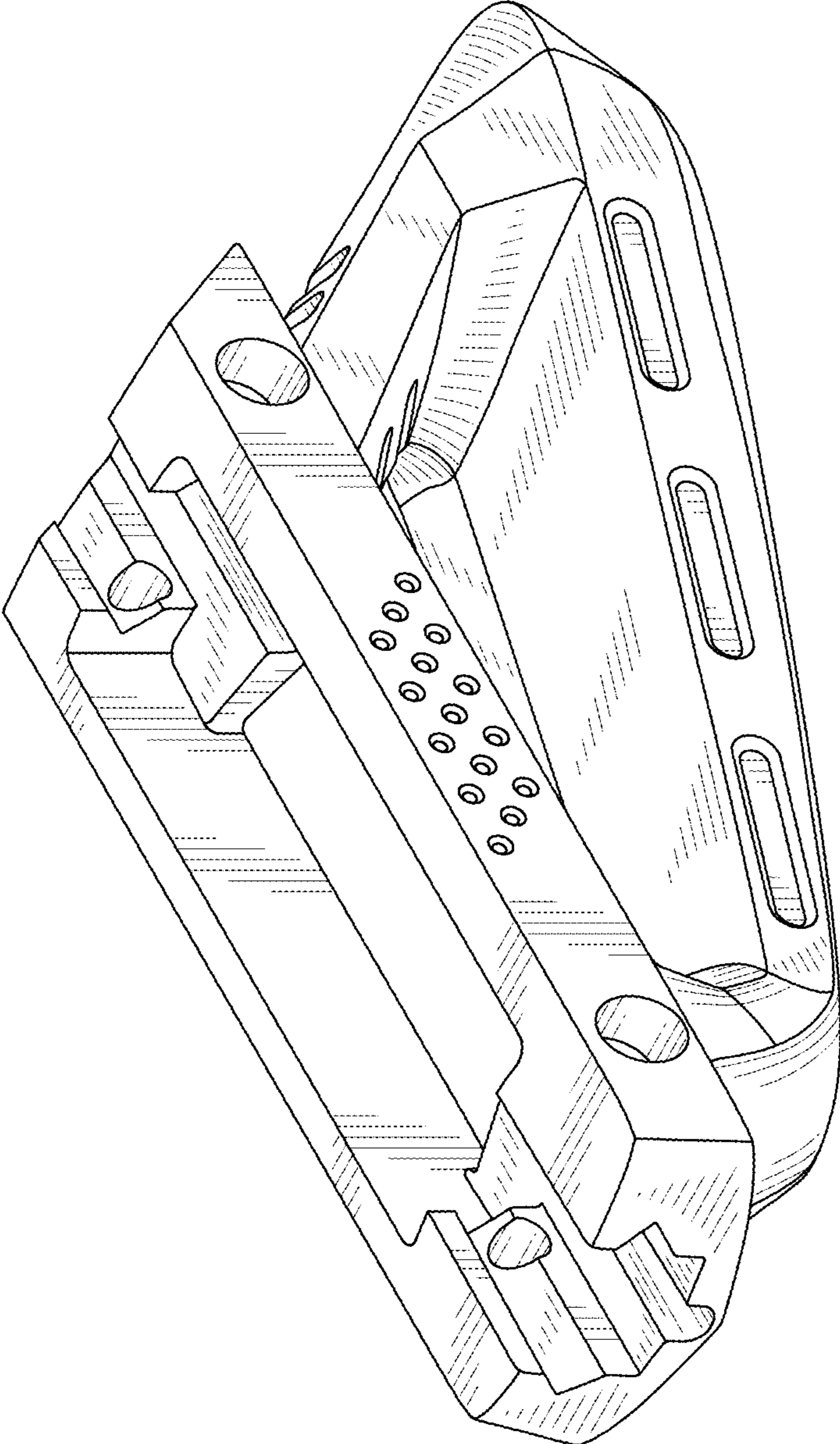


FIG.1

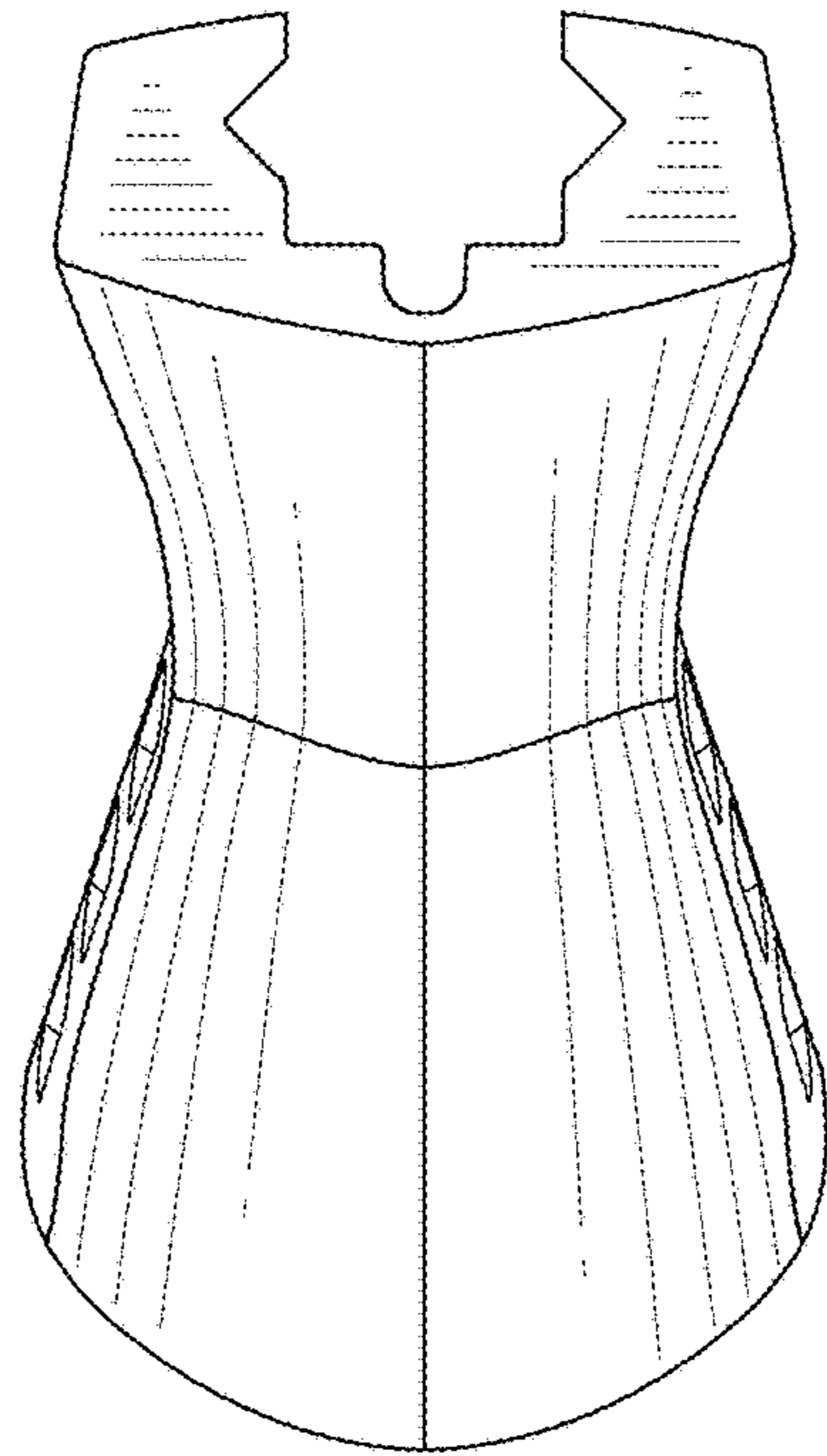


FIG. 2

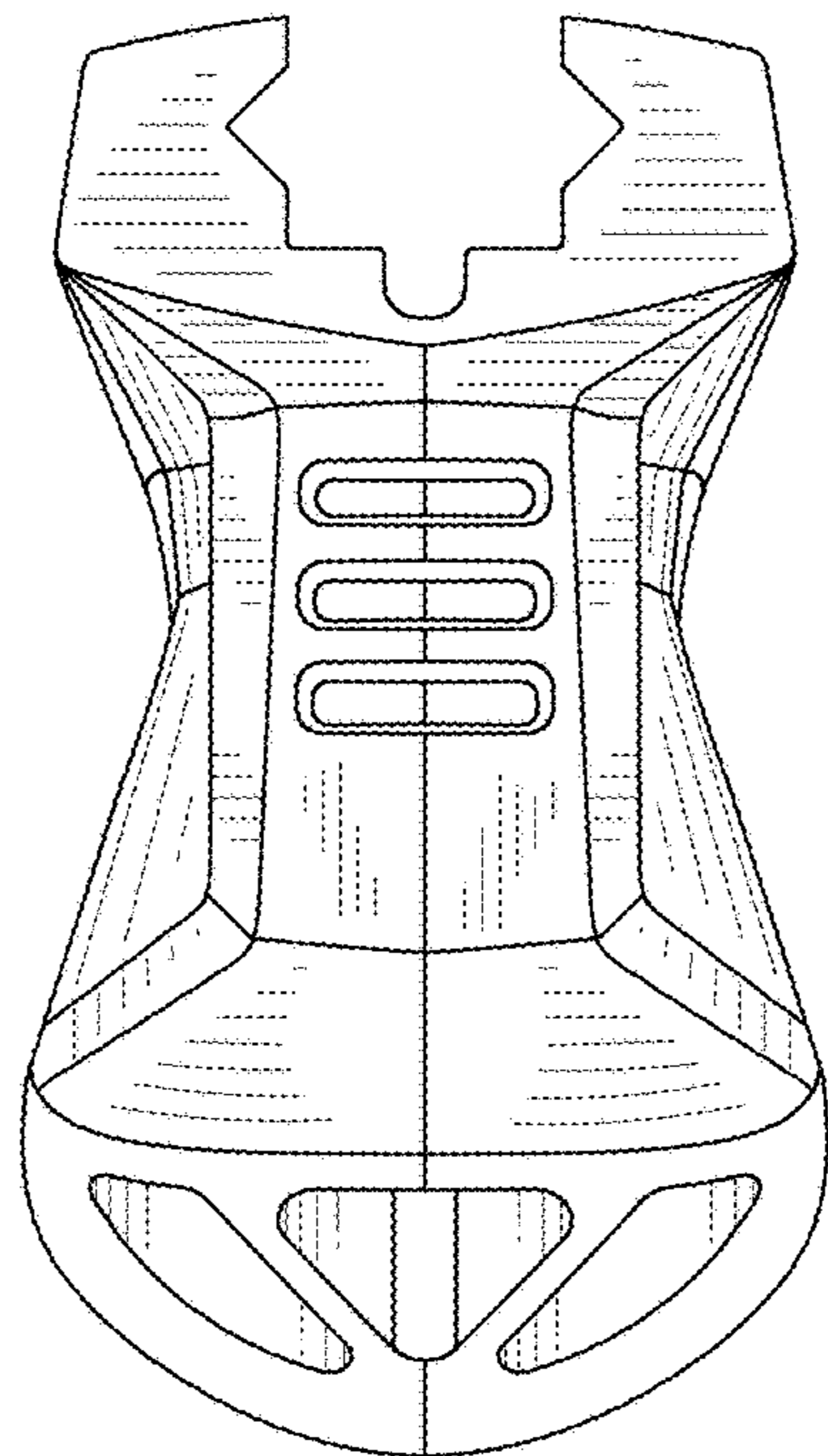


FIG. 3

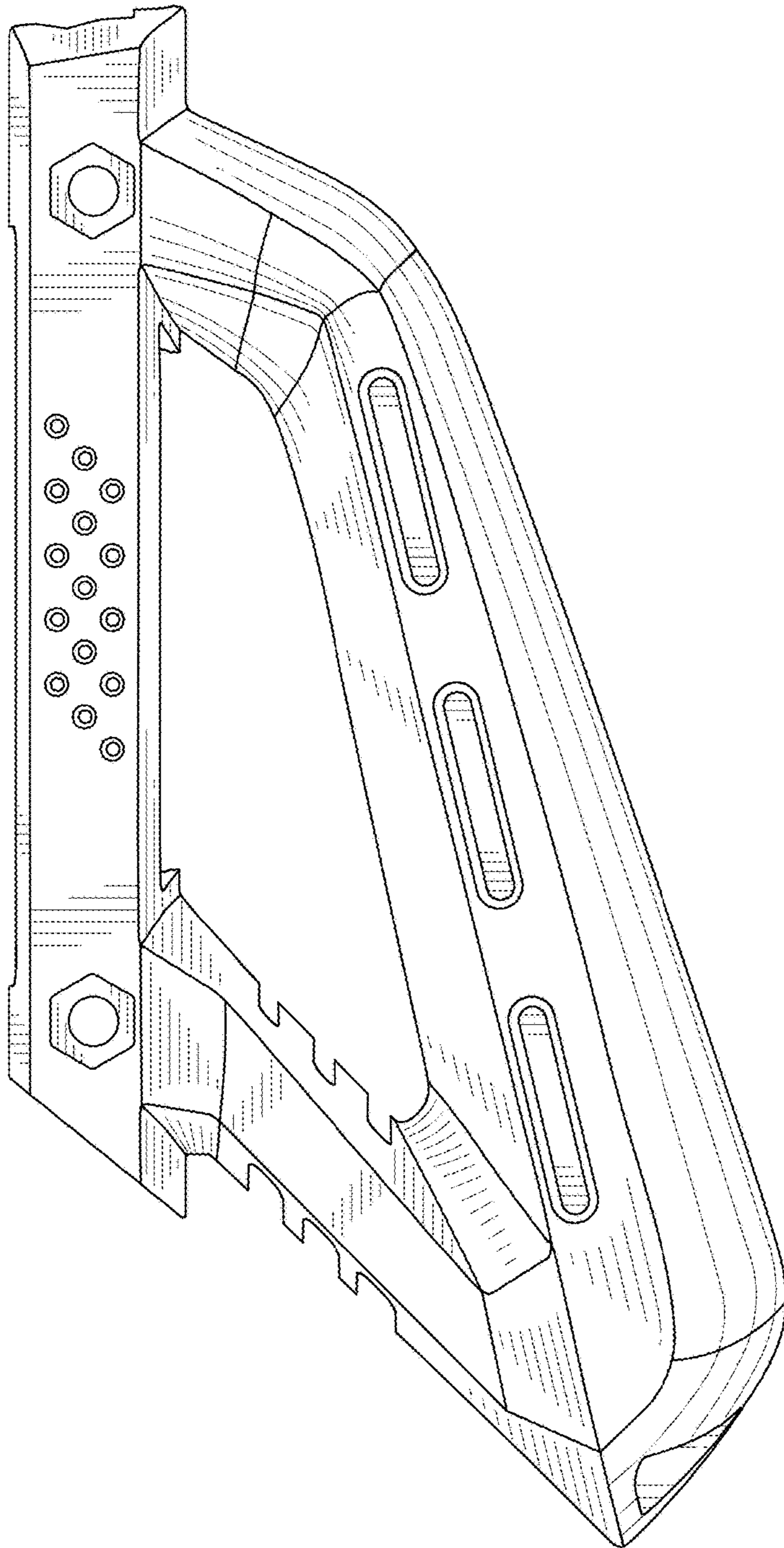


FIG.4

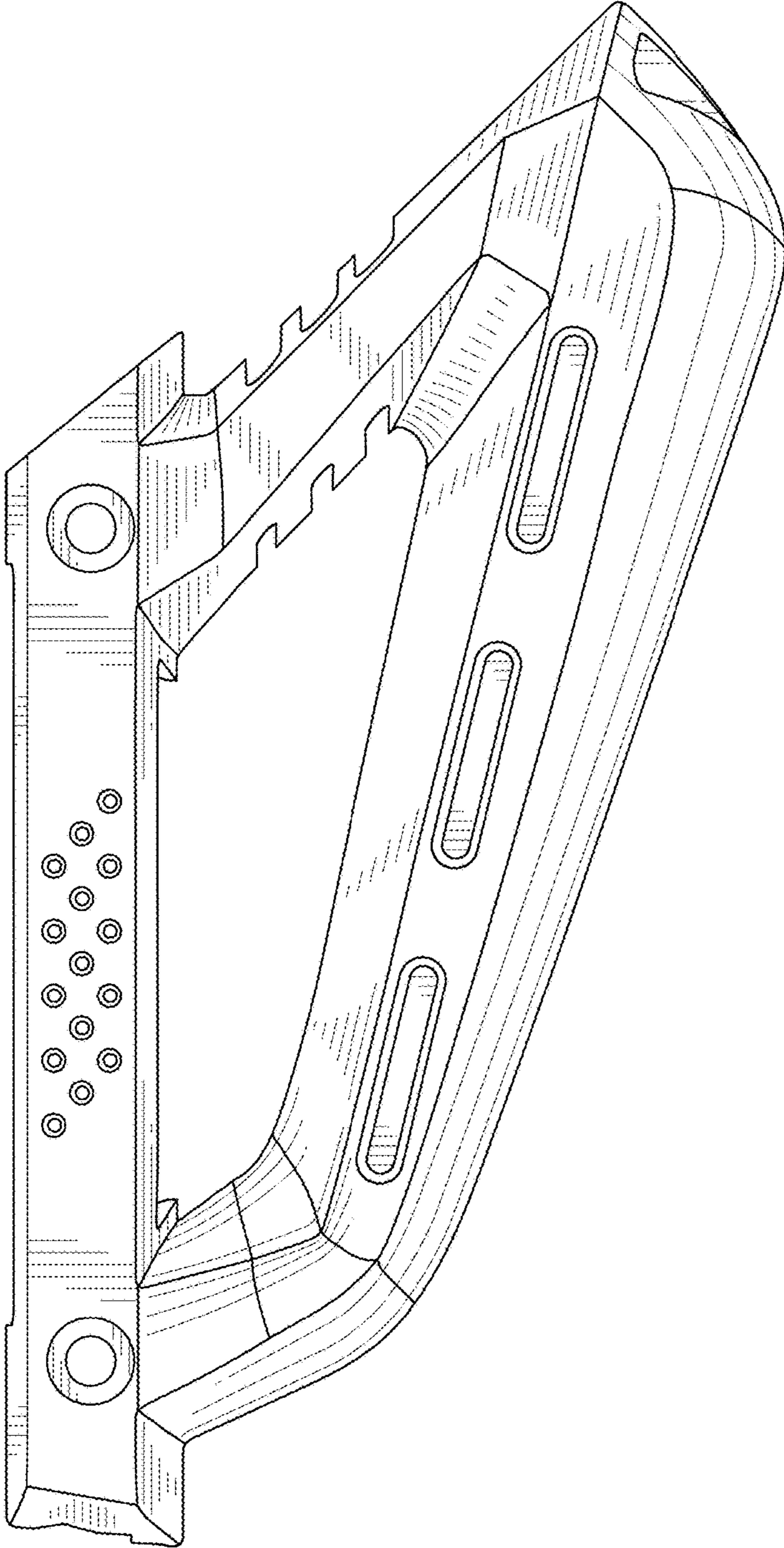


FIG.5

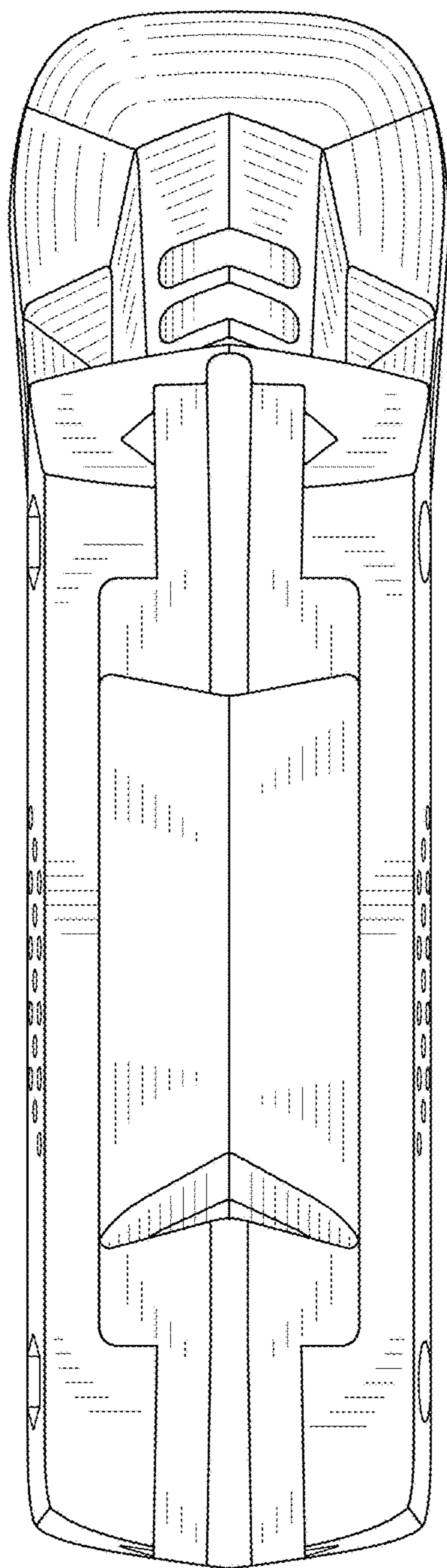


FIG.6

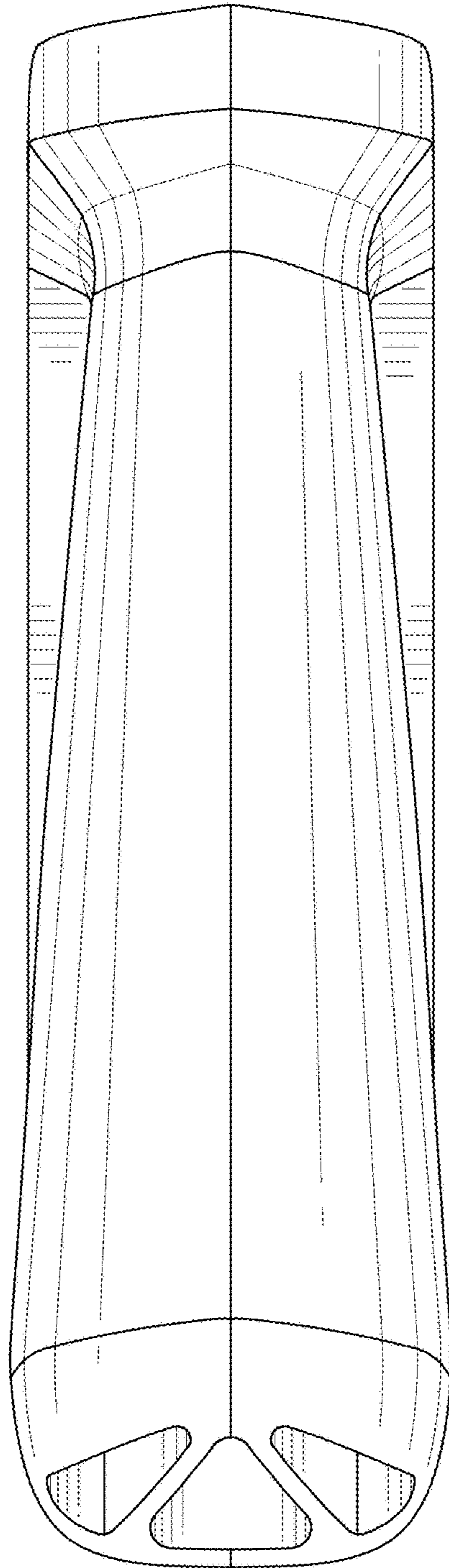


FIG.7

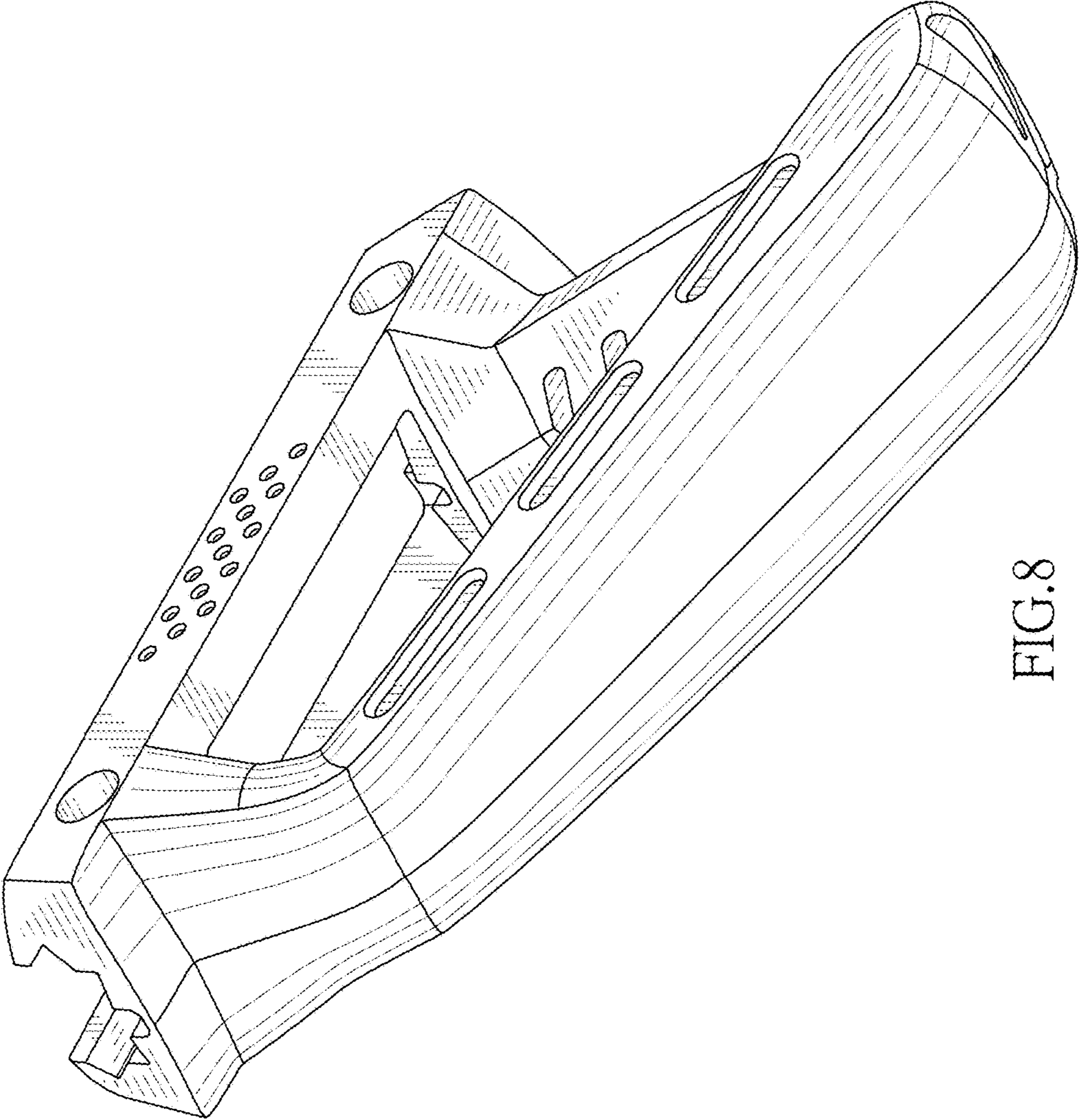


FIG. 8

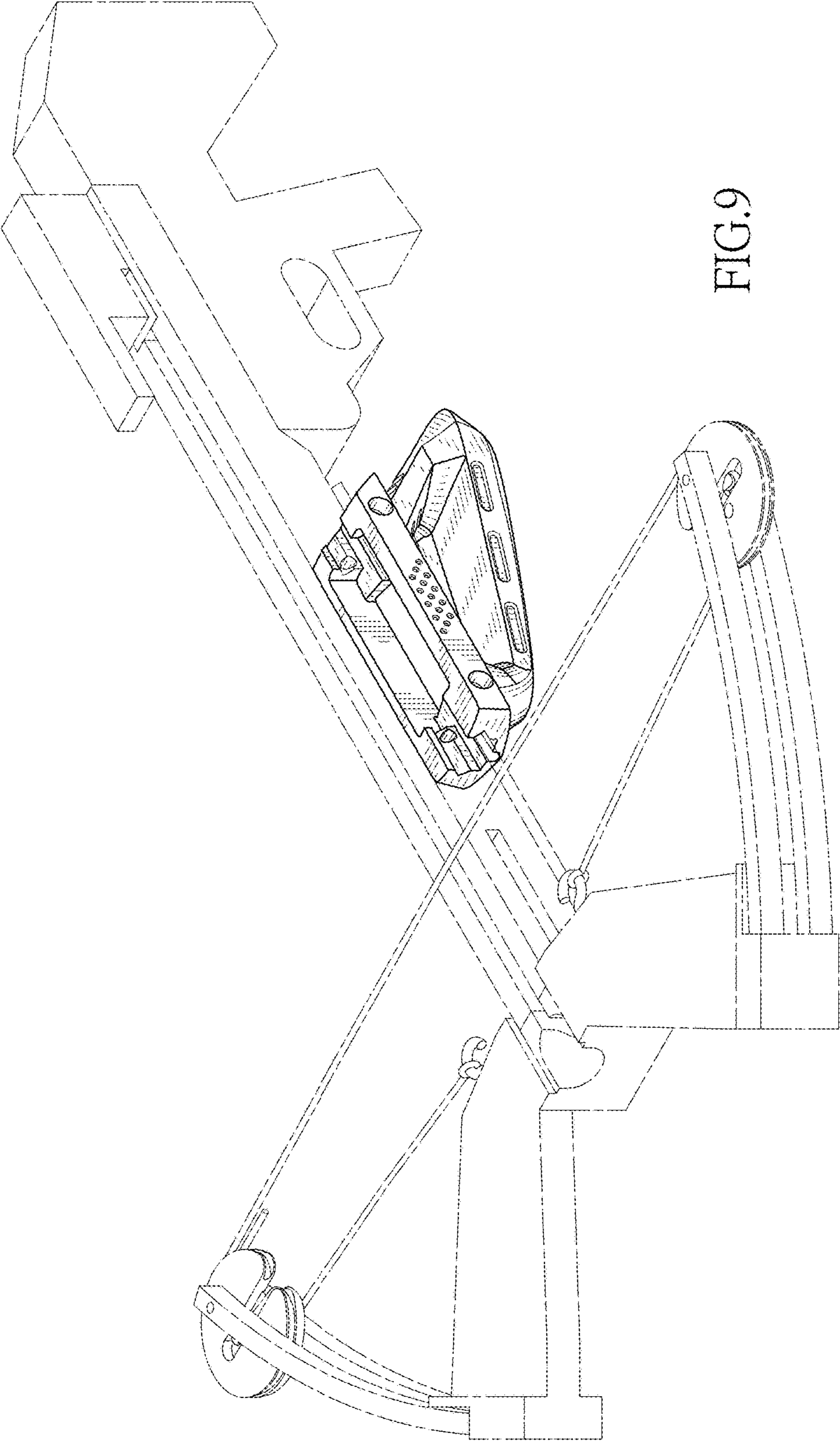


FIG. 9