



US00D779015S

(12) **United States Design Patent** (10) **Patent No.:** **US D779,015 S**  
**Underwood** (45) **Date of Patent:** **\*\* Feb. 14, 2017**

- (54) **MAGAZINE RELEASE LEVER**
- (71) Applicant: **AXTS Weapons Systems, Salem, OR**  
(US)
- (72) Inventor: **Joshua A. Underwood, Salem, OR**  
(US)
- (73) Assignee: **AXTS Weapons Wystems, Salem, OR**  
(US)
- (\*\*) Term: **14 Years**
- (21) Appl. No.: **29/518,148**
- (22) Filed: **Feb. 20, 2015**

6,557,288	B2	5/2003	Szabo	
7,661,219	B1	2/2010	Knight et al.	
8,015,742	B2	9/2011	Zedrosser	
8,925,233	B2 *	1/2015	Thordsen	F41C 27/00
				42/50
8,943,866	B2 *	2/2015	Fernandez	F41A 17/38
				42/49.01
8,978,282	B2 *	3/2015	Garrett	F41A 17/38
				42/6
9,372,043	B2 *	6/2016	Larson, Jr.	F41A 17/38
2011/0056107	A1	3/2011	Underwood	
2015/0323271	A1 *	11/2015	McGinty	F41A 35/06
				42/17
2016/0116242	A1 *	4/2016	McGinty	F41A 35/06
				42/16

**Related U.S. Application Data**

- (62) Division of application No. 13/705,969, filed on Dec. 5, 2012, now Pat. No. 8,984,786, which is a division of application No. 12/879,986, filed on Sep. 10, 2010, now Pat. No. 8,327,749.
- (51) **LOC (10) Cl.** ..... **22-01**
- (52) **U.S. Cl.**  
USPC ..... **D22/108**
- (58) **Field of Classification Search**  
USPC ..... D22/103, 108  
CPC ..... F41C 23/10; F41C 23/14; F41C 23/16;  
F41C 23/18; F41C 23/00; F41C  
27/00; F41C 27/06; F41A 5/18; F41A  
5/24; F41A 21/28  
See application file for complete search history.

**References Cited**

**U.S. PATENT DOCUMENTS**

- 4,128,042 A 12/1978 Atchisson
- 5,519,954 A \* 5/1996 Garrett ..... F41A 35/06  
42/6

\* cited by examiner

*Primary Examiner* — Michael A Pratt

(74) *Attorney, Agent, or Firm* — Schwabe Williamson & Wyatt

(57) **CLAIM**

The ornamental design for a magazine release lever, as shown and described.

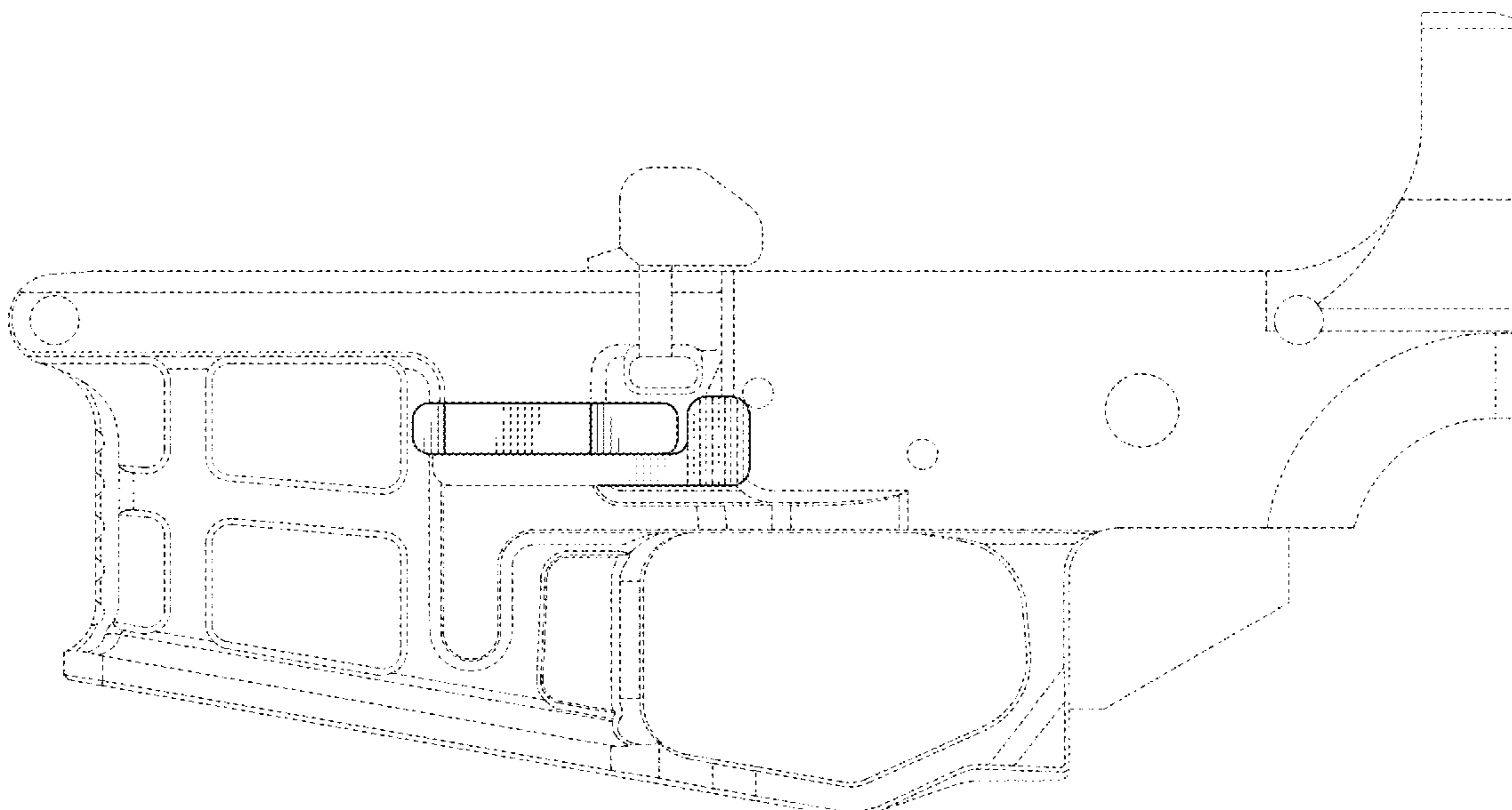
**DESCRIPTION**

FIG. 1 is a side view of a firearm receiver with a magazine release lever.

FIG. 2 is an enlarged view of the magazine release lever of FIG. 1 shown in isolation from the firearm receiver; and, FIG. 3 is a perspective view of the magazine release lever shown in FIG. 2.

The broken lines showing a lower receiver in FIG. 1 illustrate environment which forms no part of the claimed design. Additional broken lines shown in FIGS. 1, 2, and 3 illustrate portions of the magazine release lever that form no part of the claimed design.

**1 Claim, 3 Drawing Sheets**



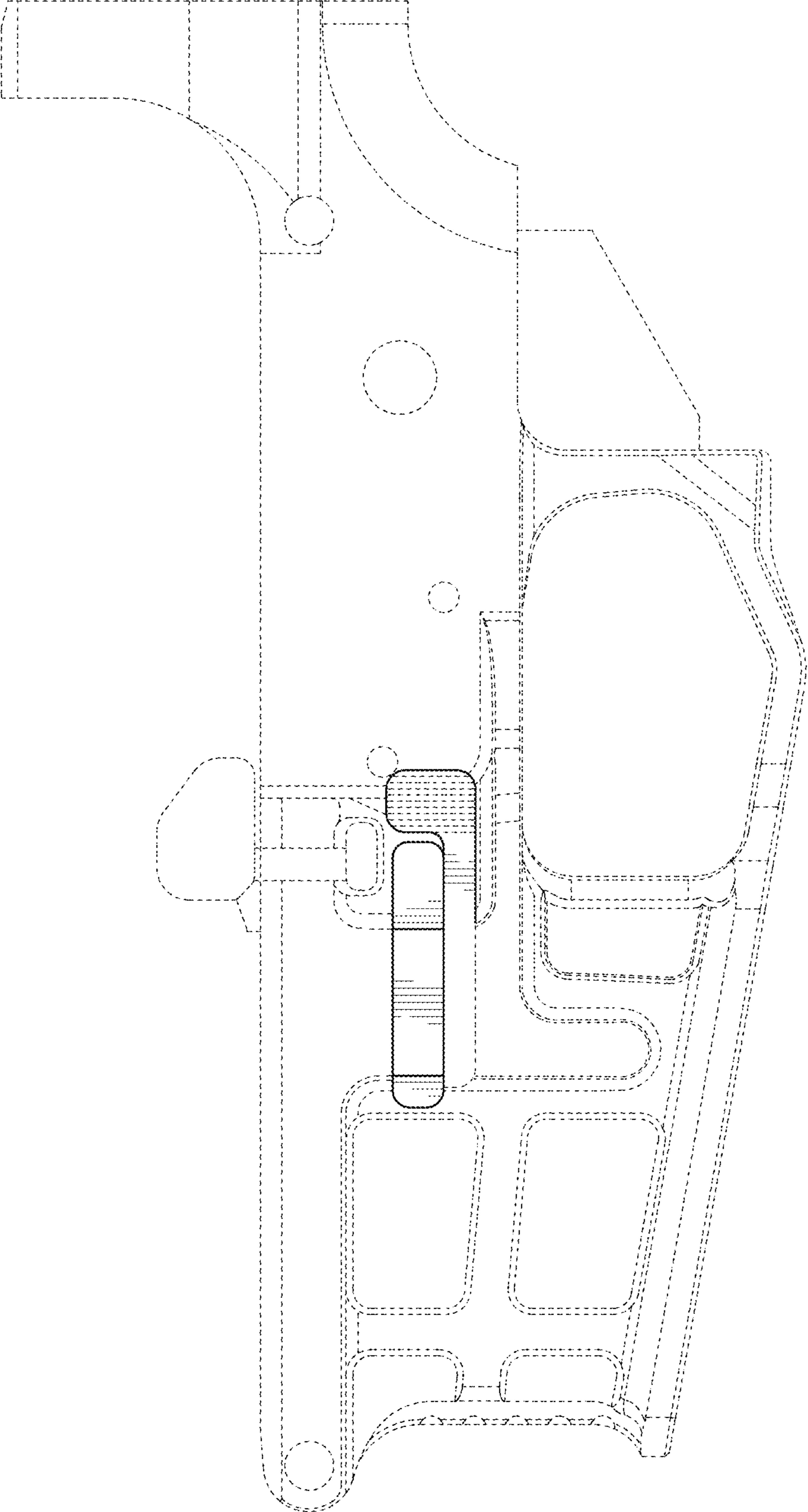
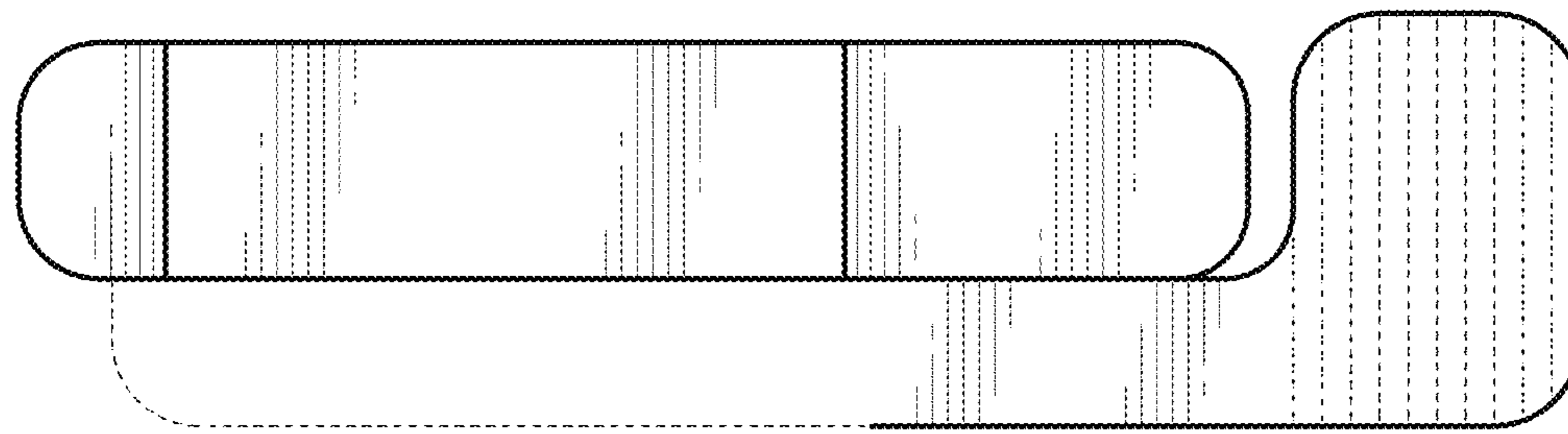
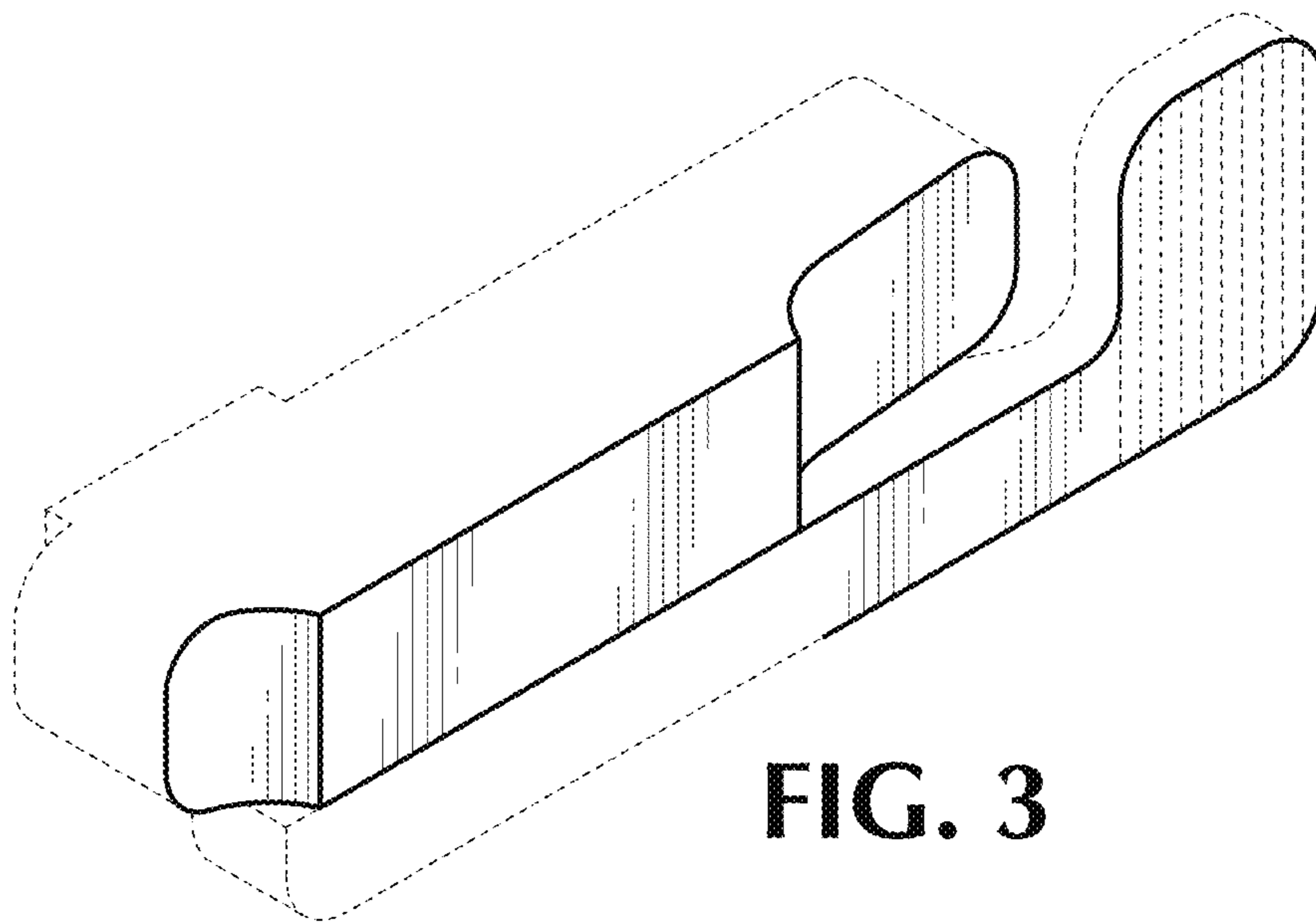


FIG. 1



**FIG. 2**



**FIG. 3**