



US00D779014S

(12) **United States Design Patent** (10) **Patent No.:** **US D779,014 S**
Cheng et al. (45) **Date of Patent:** **** Feb. 14, 2017**

(54) **HANDGUARD**

(71) Applicants: **Carson Cheng**, City of Industry, CA (US); **Changan Tian**, City of Industry, CA (US)

(72) Inventors: **Carson Cheng**, City of Industry, CA (US); **Changan Tian**, City of Industry, CA (US)

(73) Assignee: **NcSTAR, Inc.**, City of Industry, CA (US)

(**) Term: **14 Years**

(21) Appl. No.: **29/517,673**

(22) Filed: **Feb. 15, 2015**

(51) **LOC (10) Cl.** **22-01**

(52) **U.S. Cl.**
USPC **D22/108**

(58) **Field of Classification Search**
USPC D22/103, 108; D21/572-575; D8/68
CPC F41C 23/10; F41C 23/14; F41C 23/16;
F41C 23/18

See application file for complete search history.

(56) **References Cited**

U.S. PATENT DOCUMENTS

D716,902 S * 11/2014 Nason D22/108
8,904,691 B1 * 12/2014 Kincel F41C 23/16
42/71.01
D721,407 S * 1/2015 Chu D21/574

(Continued)

Primary Examiner — Michael A Pratt

(74) *Attorney, Agent, or Firm* — Raymond Y. Chan;
David and Raymond Patent Firm

(57) **CLAIM**

The ornamental design for a handguard, as shown and described.

DESCRIPTION

FIG. 1 is a perspective view of a handguard showing our new design, illustrating an upper guard body detachably coupled at a lower guard body.

FIG. 2 is a front view of the handguard, illustrating the upper guard body coupled at the lower guard body.

FIG. 3 is a front view of the handguard, illustrating the upper guard body detached from the lower guard body.

FIG. 4 is a rear view of the handguard, illustrating the upper guard body coupled at the lower guard body.

FIG. 5 is a rear view of the handguard, illustrating the upper guard body detached from the lower guard body.

FIG. 6 is a left view of the handguard, illustrating the upper guard body coupled at the lower guard body.

FIG. 7 is a left view of the handguard, illustrating the upper guard body detached from the lower guard body.

FIG. 8 is a right view of the handguard, illustrating the upper guard body coupled at the lower guard body.

FIG. 9 is a right view of the handguard, illustrating the upper guard body detached from the lower guard body.

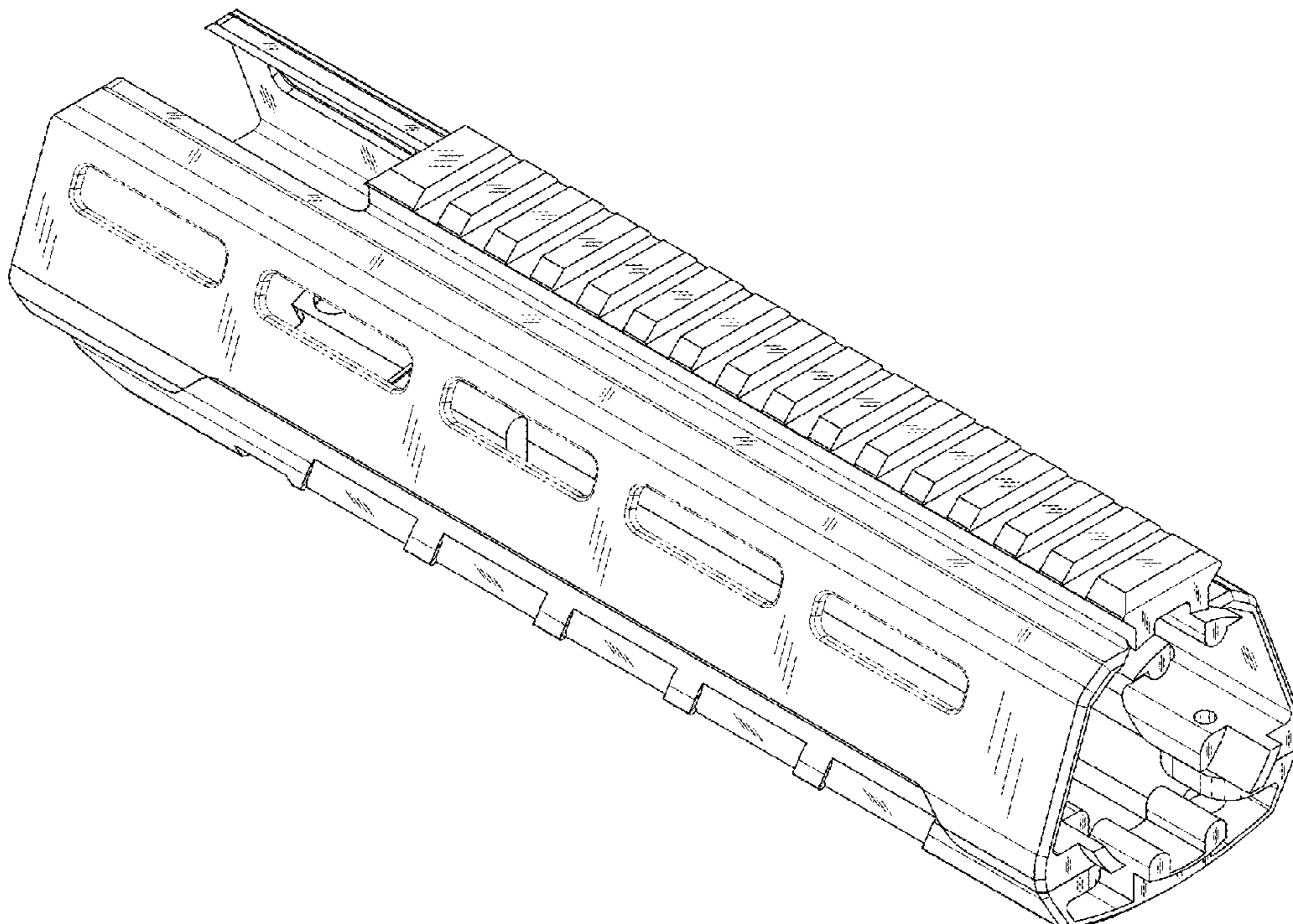
FIG. 10 is a top view of the handguard.

FIG. 11 is a bottom view of the handguard; and,

FIG. 12 is a perspective view of the handguard, illustrating the upper guard body detached from the lower guard body.

The broken line portion of the figure drawings is included to show unclaimed subject matter only and forms no part of the claimed design.

1 Claim, 10 Drawing Sheets



(56)

References Cited

U.S. PATENT DOCUMENTS

D722,356 S *	2/2015	Keller	D22/108
D724,170 S *	3/2015	Huang	D22/108
D736,886 S *	8/2015	Cheng	D22/108
D737,397 S *	8/2015	Cheng	D22/108
D747,426 S *	1/2016	Cheng	D22/108
2016/0061560 A1 *	3/2016	Saadon	F41G 11/003 42/72

* cited by examiner

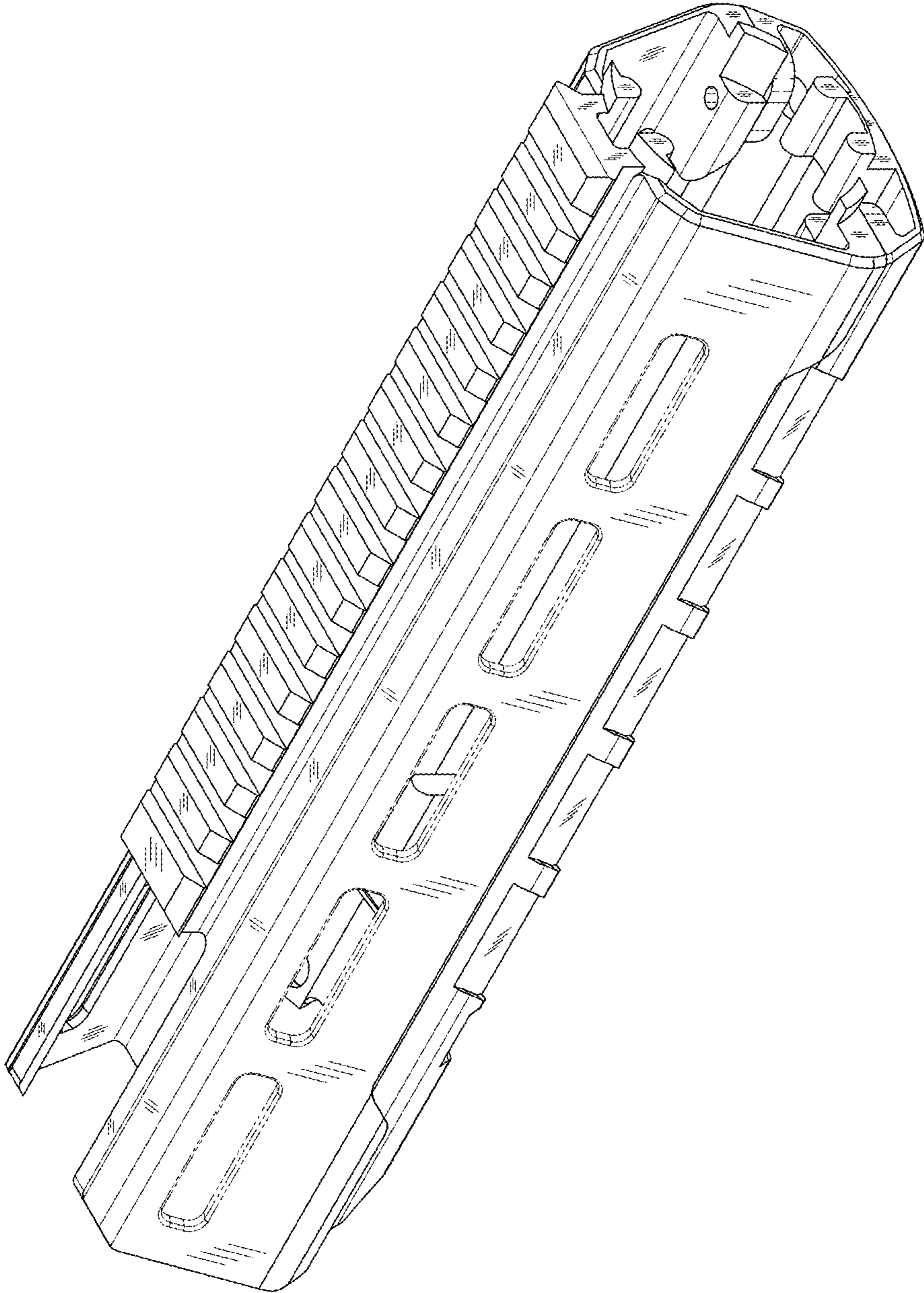


FIG.1

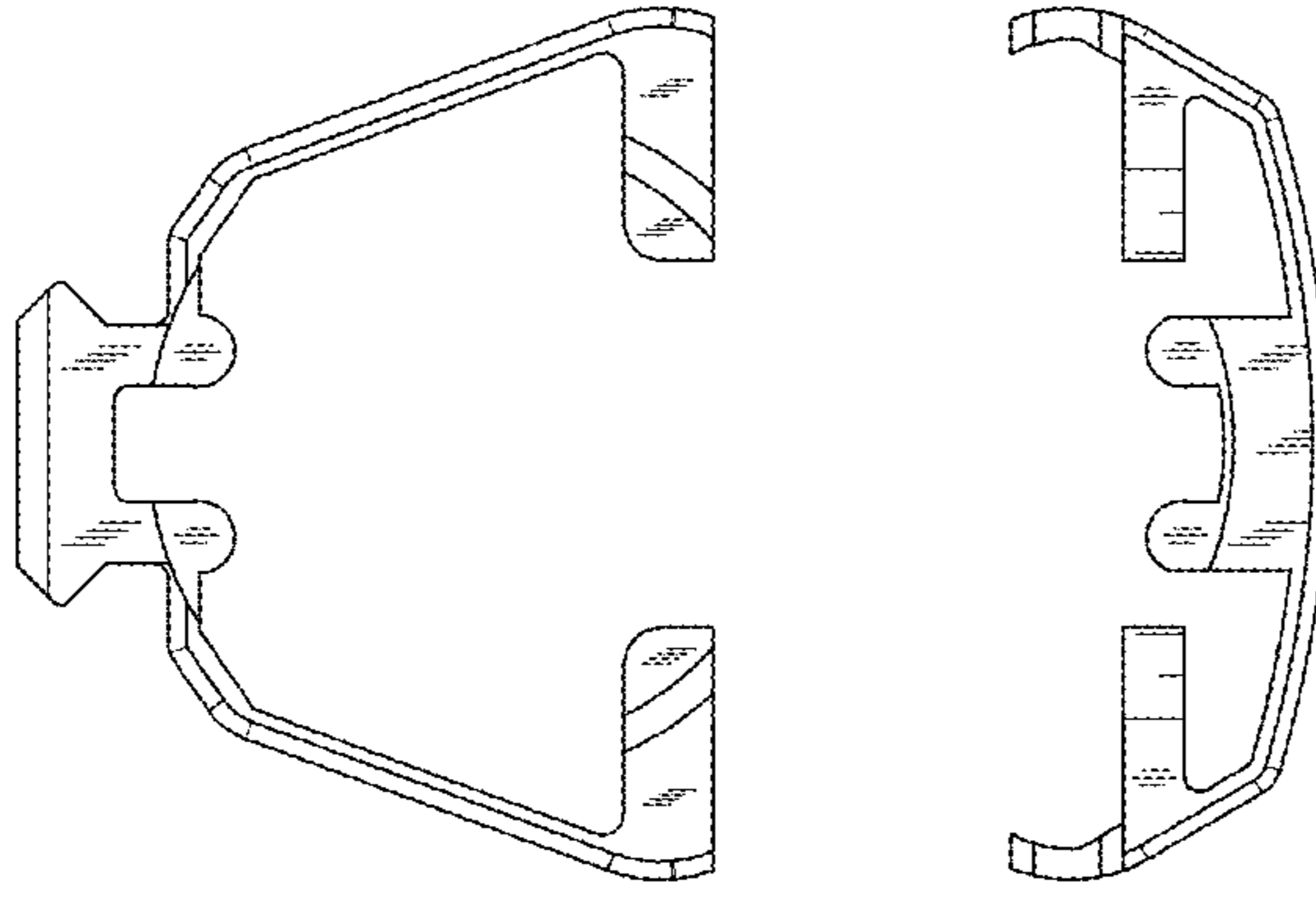


FIG.3

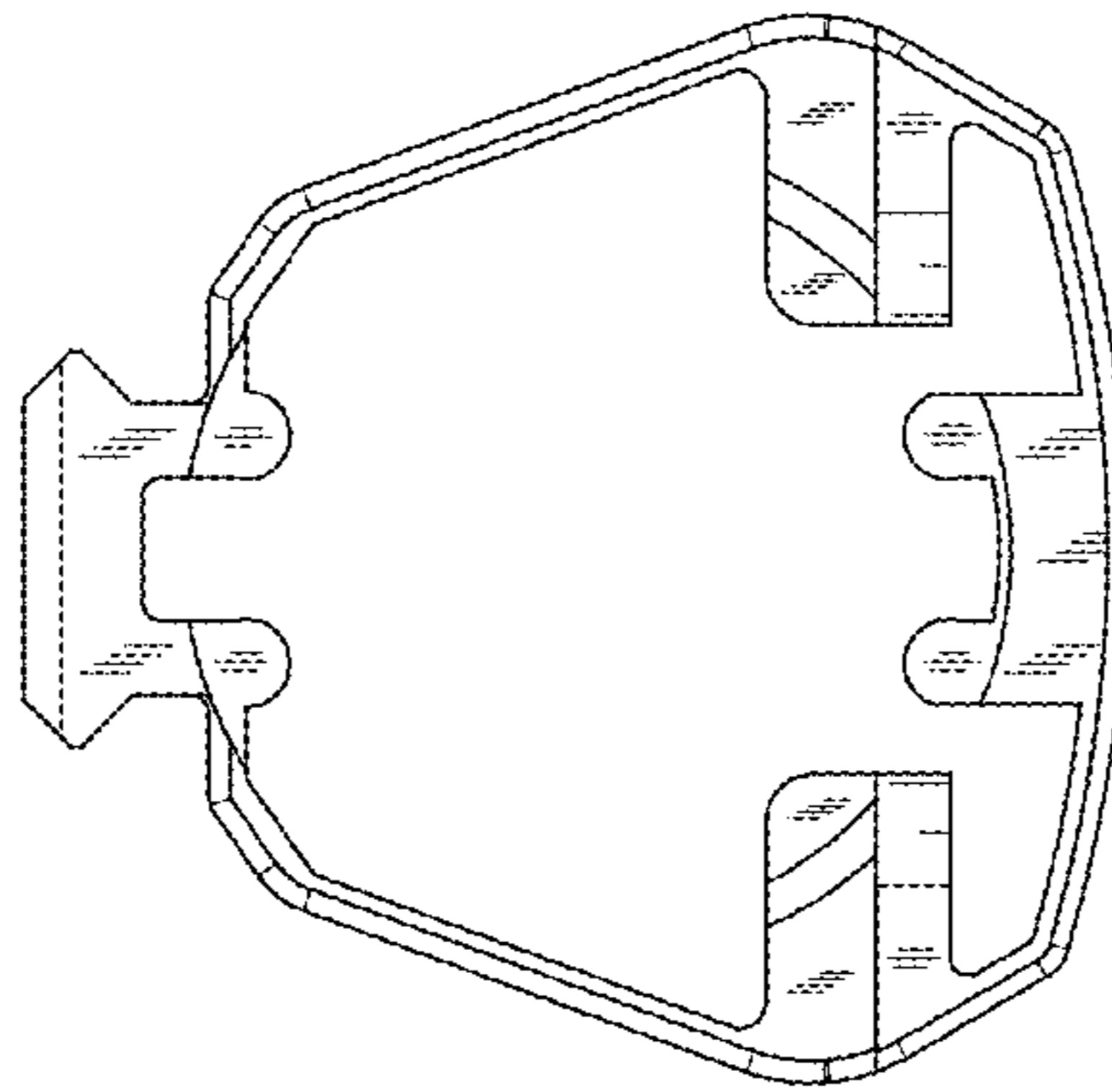


FIG.2

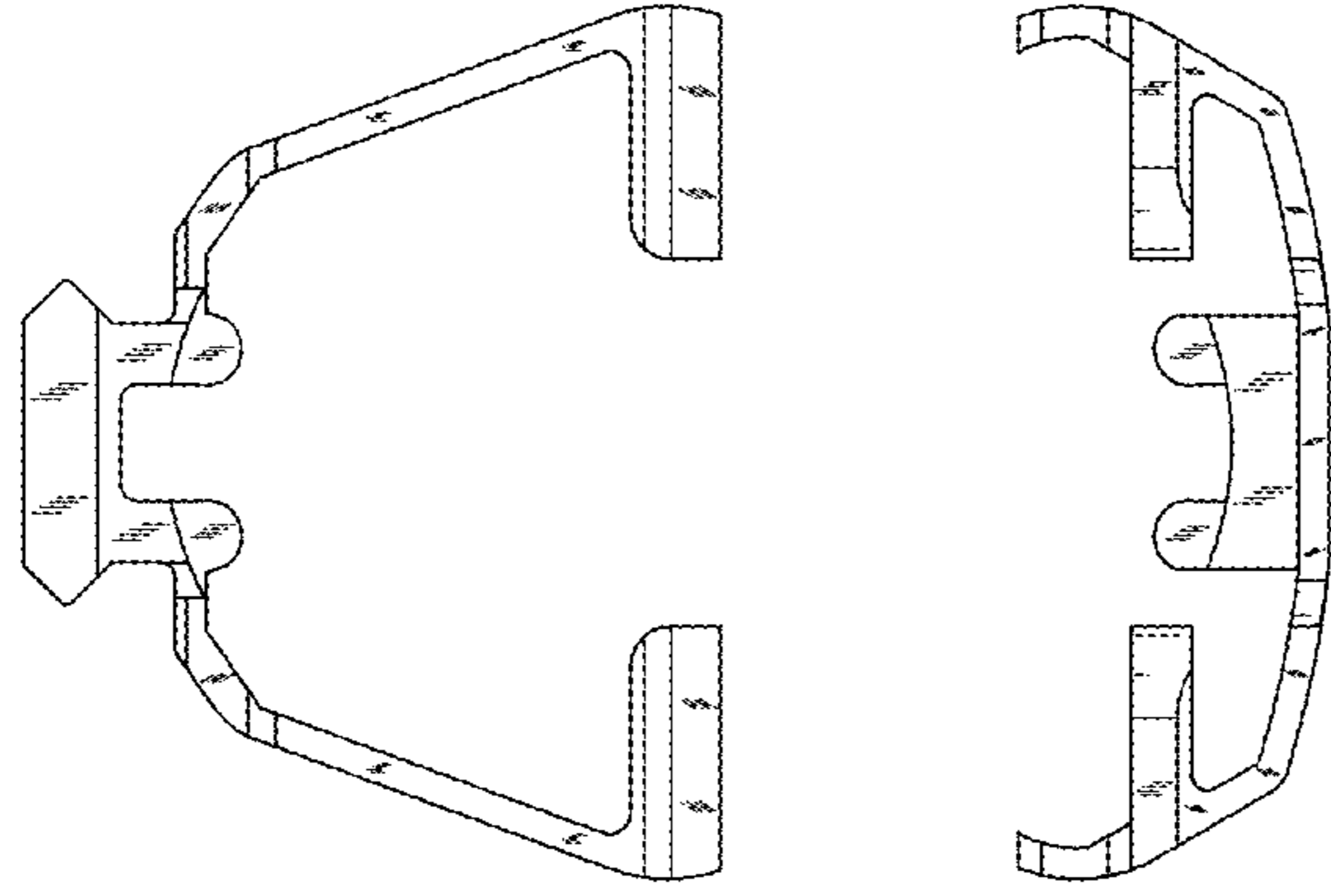


FIG.5

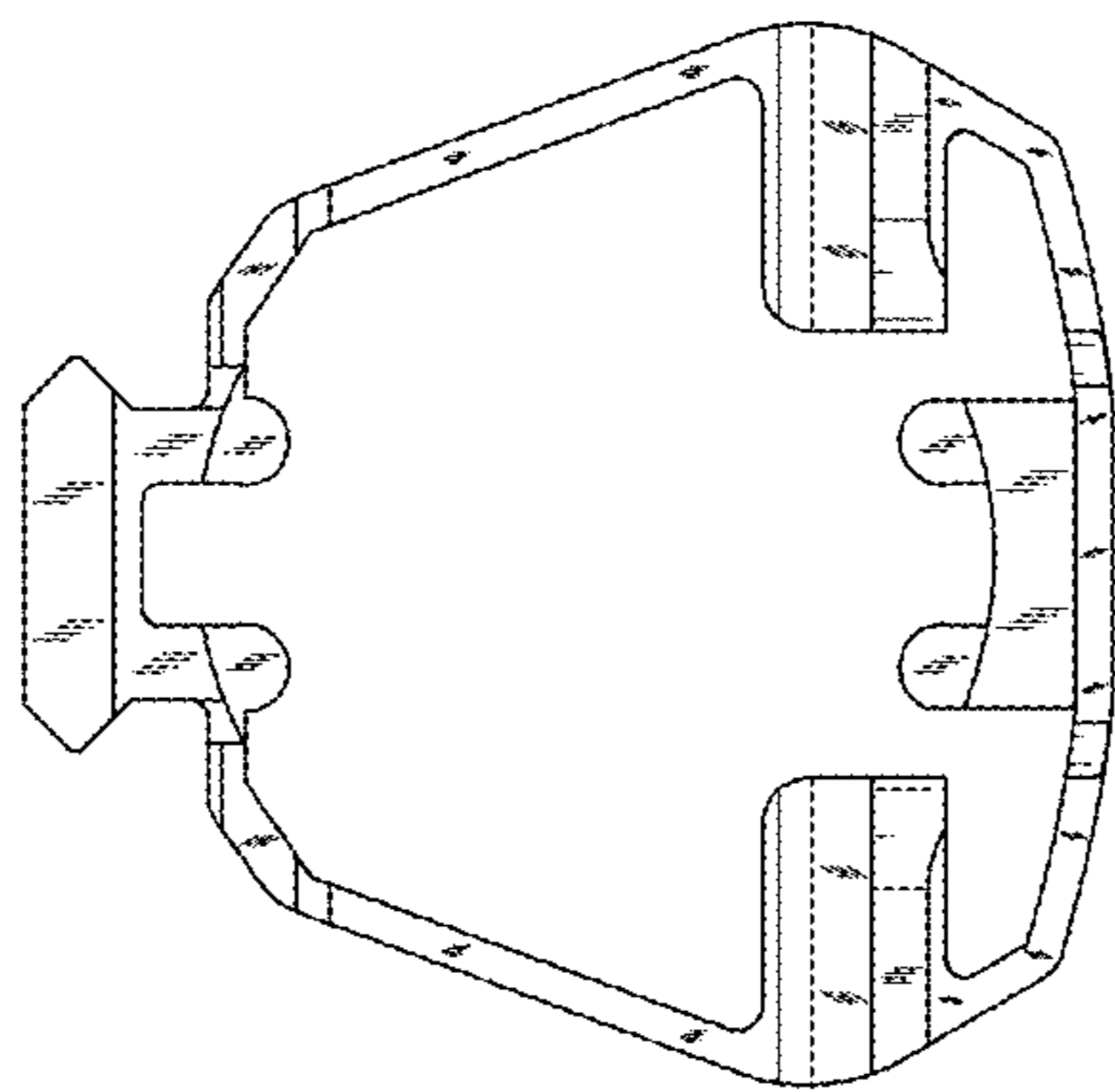


FIG.4

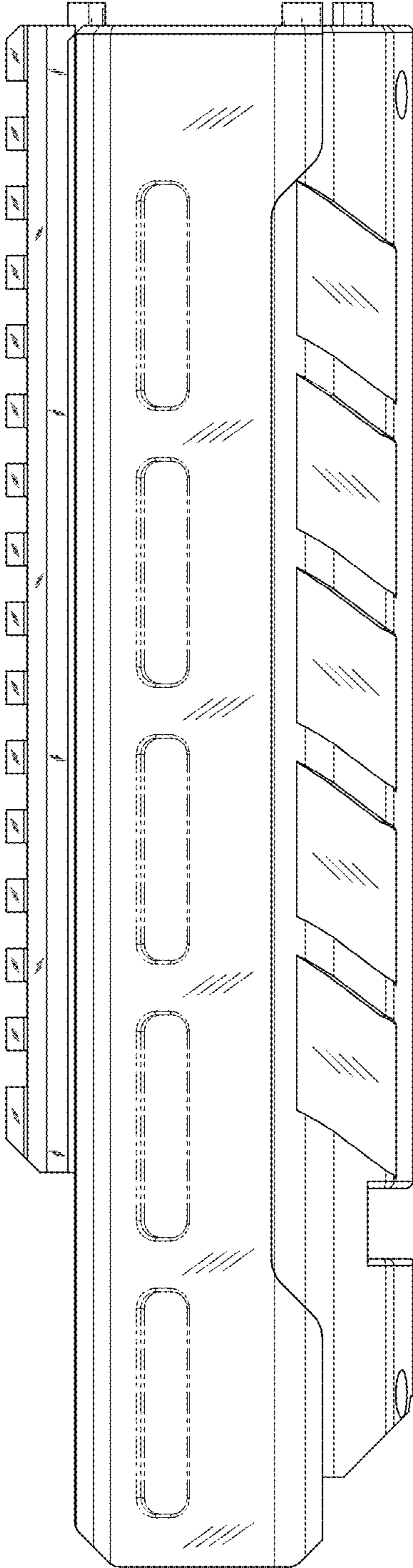


FIG.6

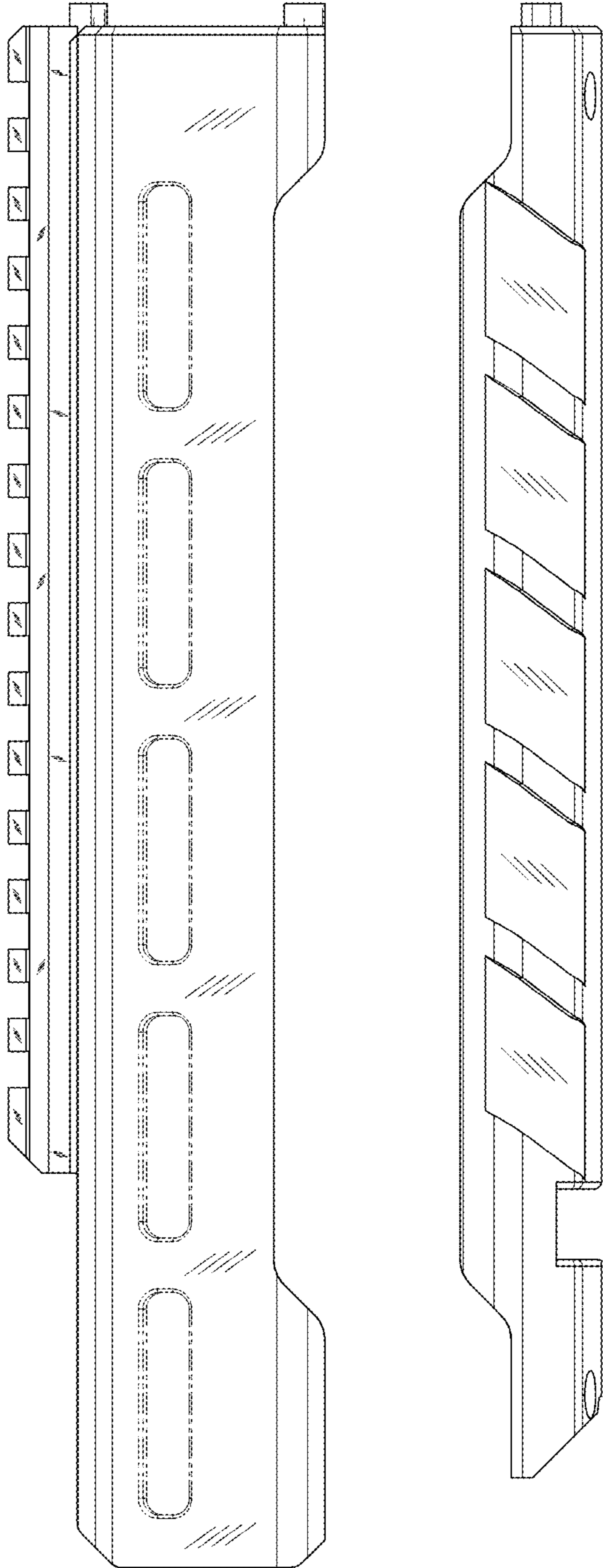


FIG.7

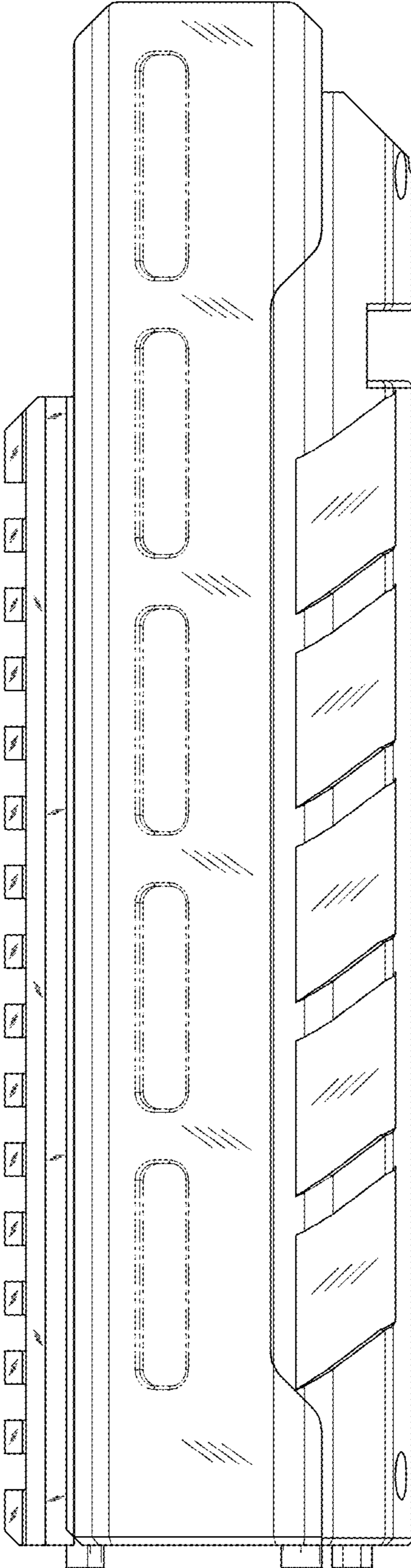


FIG.8

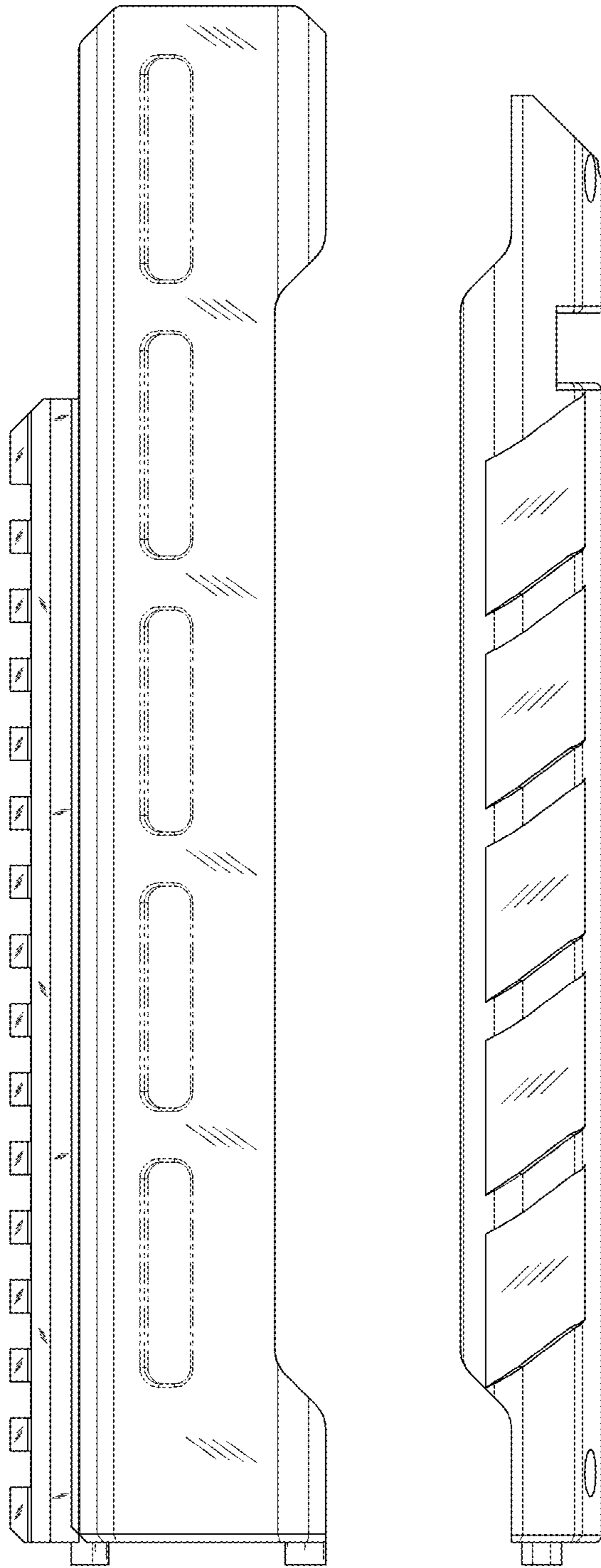


FIG.9

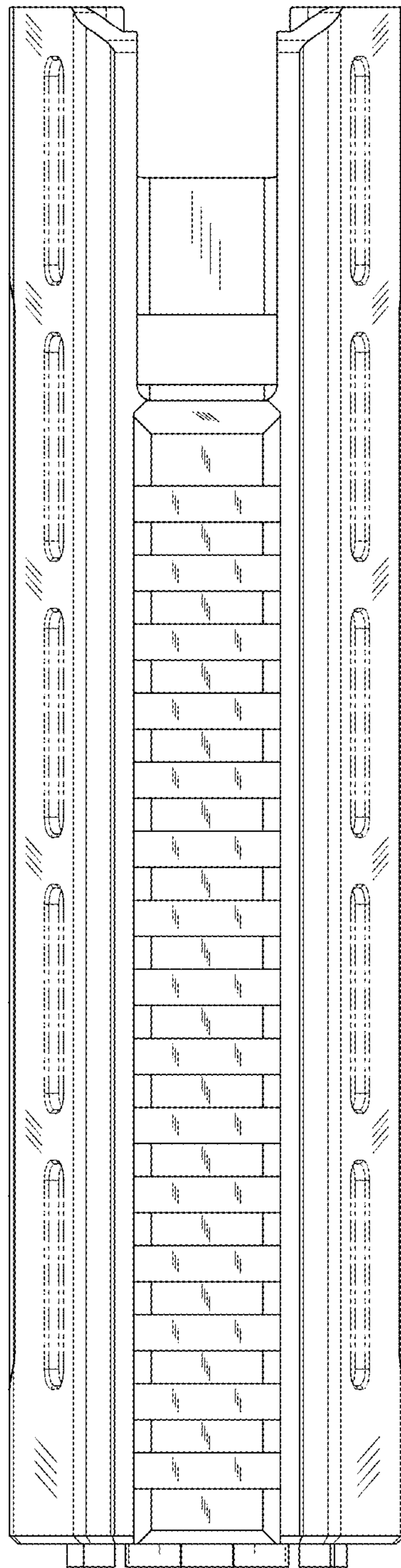


FIG.10

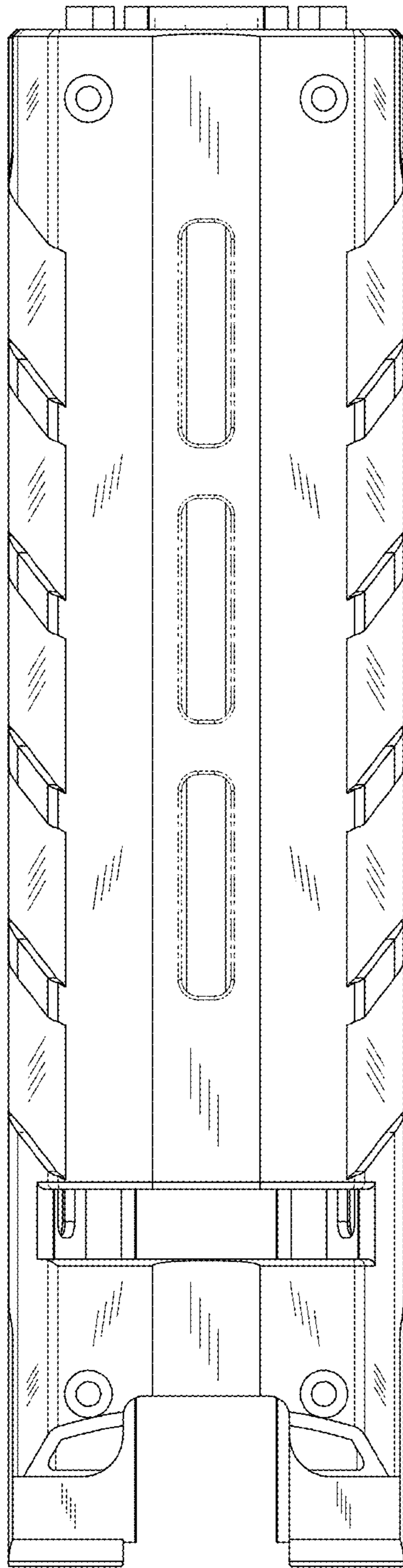


FIG.11

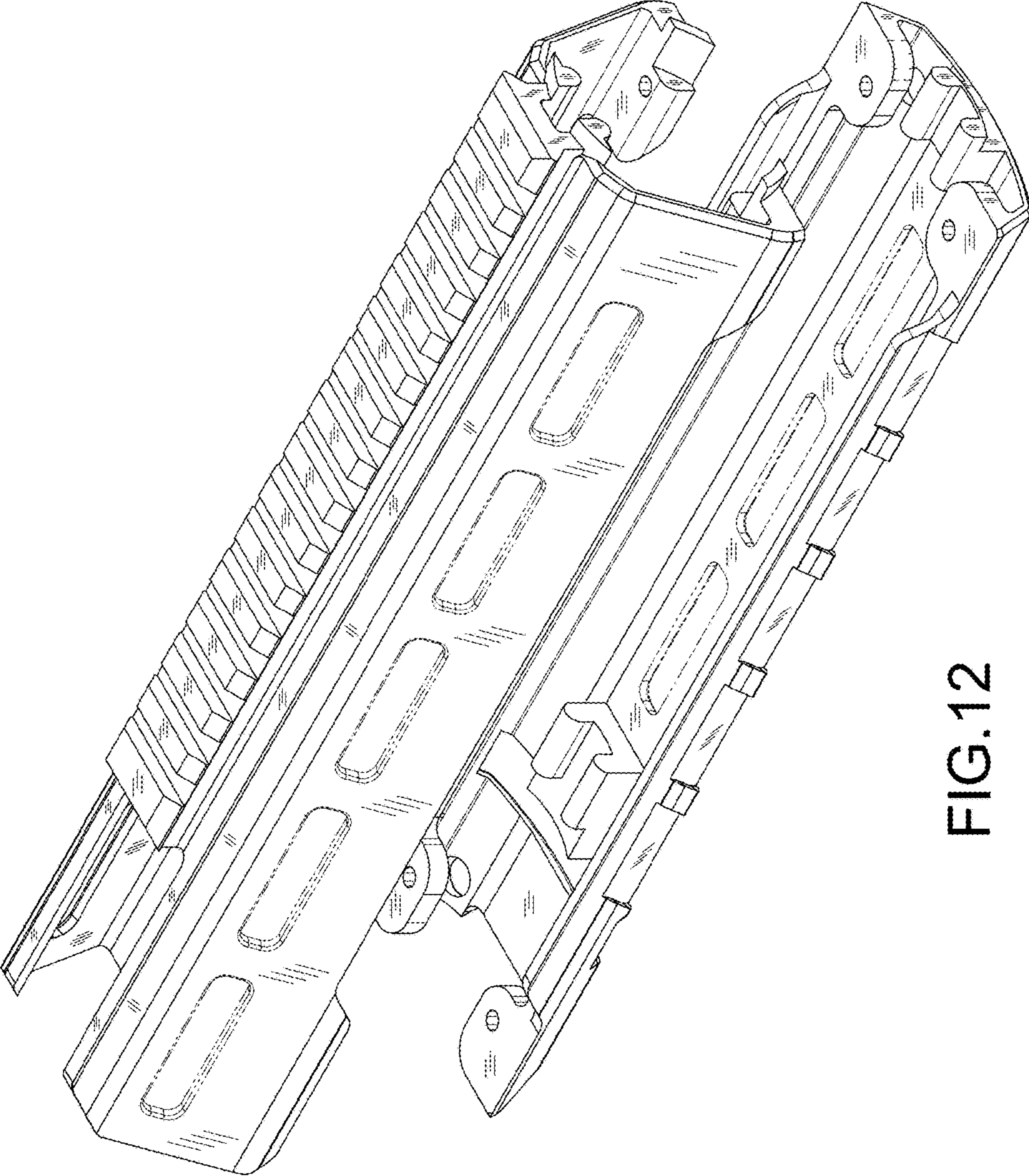


FIG.12