



US00D779013S

(12) **United States Design Patent**  
**Cheng et al.**

(10) **Patent No.:** **US D779,013 S**

(45) **Date of Patent:** **\*\* Feb. 14, 2017**

(54) **HANDGUARD**

D733,246 S \* 6/2015 Wells ..... D22/108  
D752,171 S \* 3/2016 Chen ..... D22/108

(71) Applicants: **Carson Cheng**, City of Industry, CA (US); **Changan Tian**, City of Industry, CA (US); **Jason Michael Cheng**, City of Industry, CA (US)

\* cited by examiner

*Primary Examiner* — Susan Bennett Hattan

*Assistant Examiner* — S. Bryan Reinholdt, Jr.

(72) Inventors: **Carson Cheng**, City of Industry, CA (US); **Changan Tian**, City of Industry, CA (US); **Jason Michael Cheng**, City of Industry, CA (US)

(74) *Attorney, Agent, or Firm* — Raymond Y. Chan; David and Raymond Patent Firm

(73) Assignee: **NcSTAR, Inc.**, City of Industry, CA (US)

(57) **CLAIM**

The ornamental design for a handguard, as shown and described.

(\*\*) Term: **15 Years**

(21) Appl. No.: **29/532,926**

(22) Filed: **Jul. 12, 2015**

(51) **LOC (10) Cl.** ..... **22-01**

(52) **U.S. Cl.**  
USPC ..... **D22/106**

(58) **Field of Classification Search**  
USPC ..... D22/103, 108; D21/572–575  
CPC ..... F41C 23/00; F41C 27/00; F41C 27/06;  
F41C 23/10; F41C 23/14; F41C  
23/16; F41C 23/18  
See application file for complete search history.

**DESCRIPTION**

FIG. 1 is a perspective view of the handguard our new design.

FIG. 2 is a front view of the handguard.

FIG. 3 is a rear view of the handguard.

FIG. 4 is a right view of the handguard.

FIG. 5 is a left view of the handguard.

FIG. 6 is a top view of the handguard.

FIG. 7 is a bottom view of the handguard; and,

FIG. 8 is an exploded perspective view of the handguard.

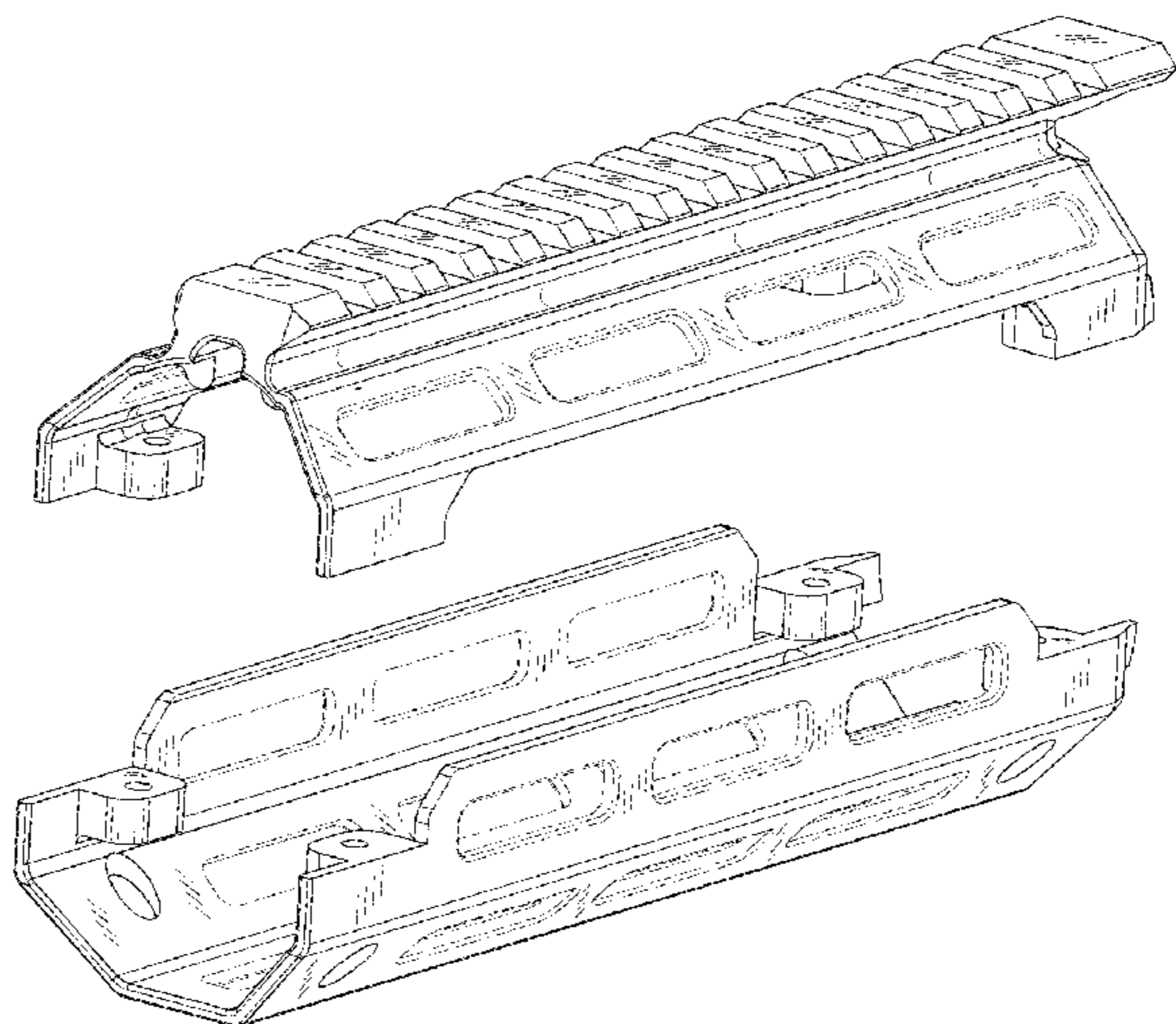
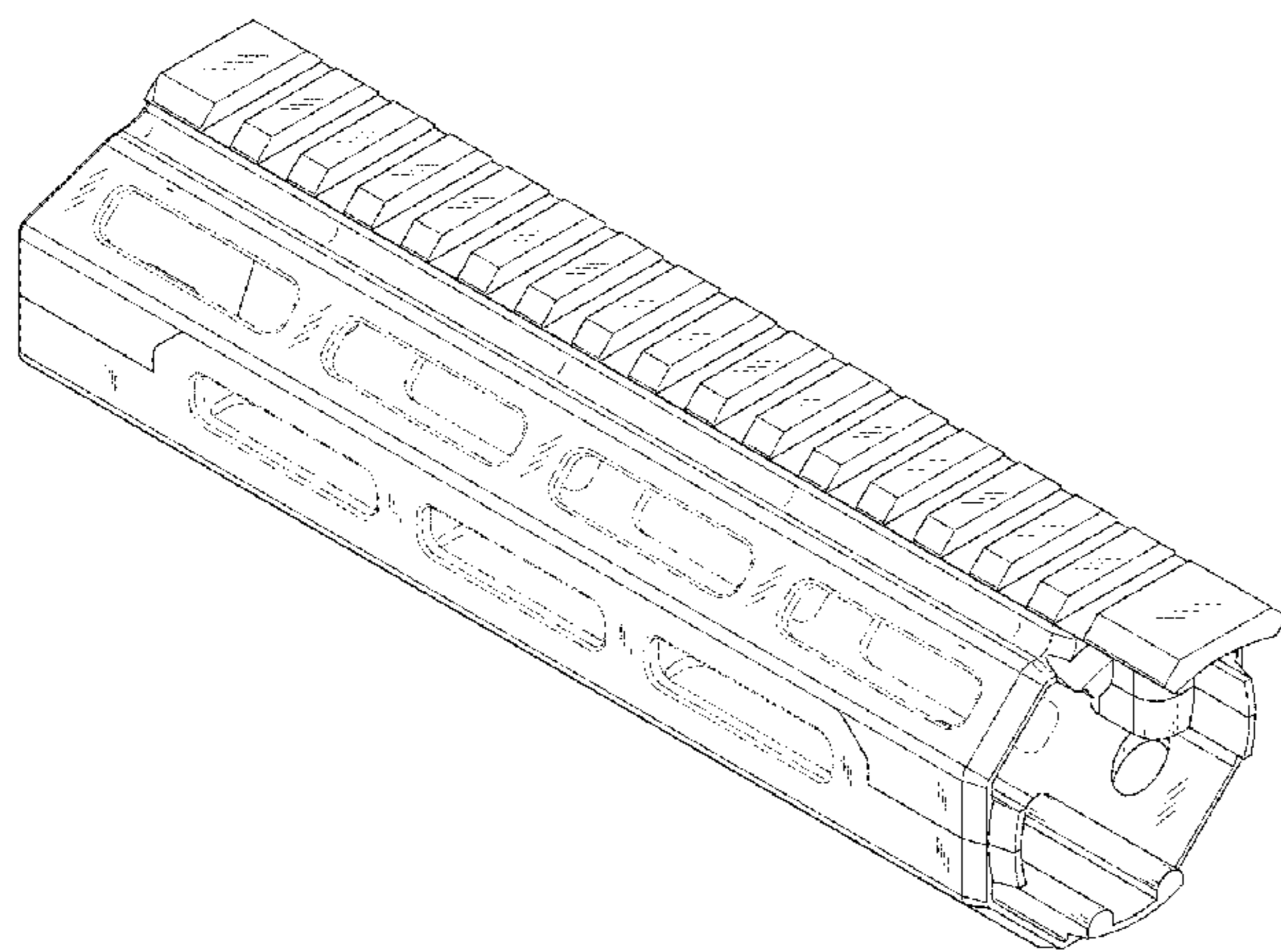
The broken line portion of the figure drawings is included to show unclaimed subject matter only and forms no part of the claimed design.

(56) **References Cited**

U.S. PATENT DOCUMENTS

D709,582 S \* 7/2014 Geissele ..... D22/108  
D724,171 S \* 3/2015 Trusty ..... D22/108

**1 Claim, 8 Drawing Sheets**



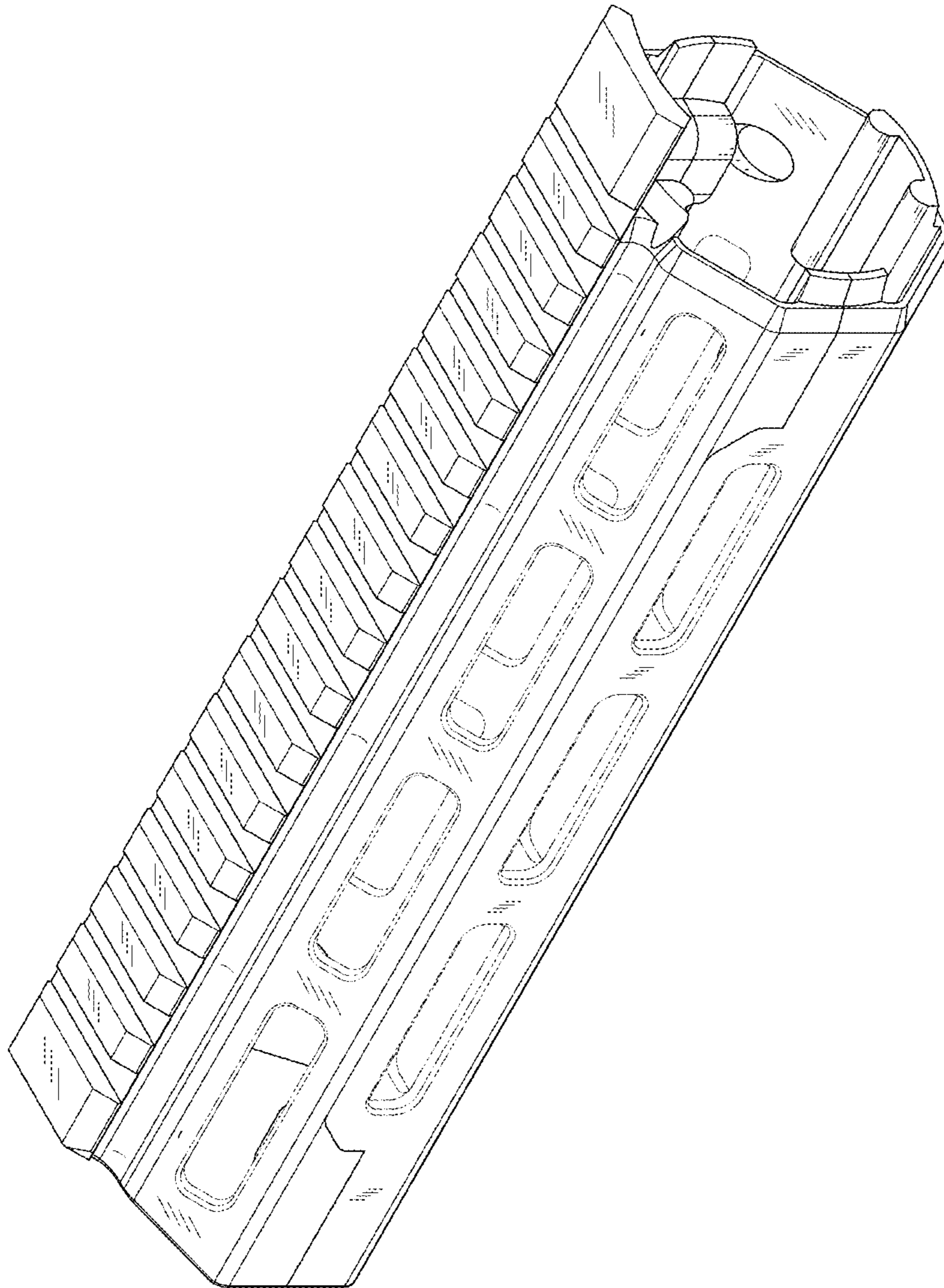


FIG.1

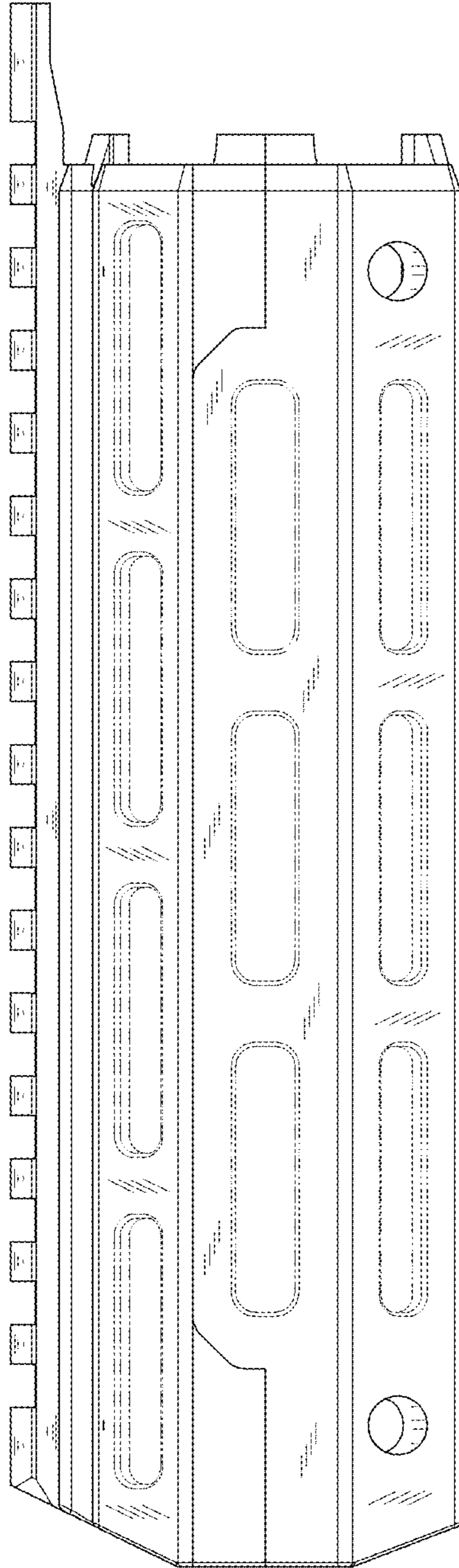


FIG.2

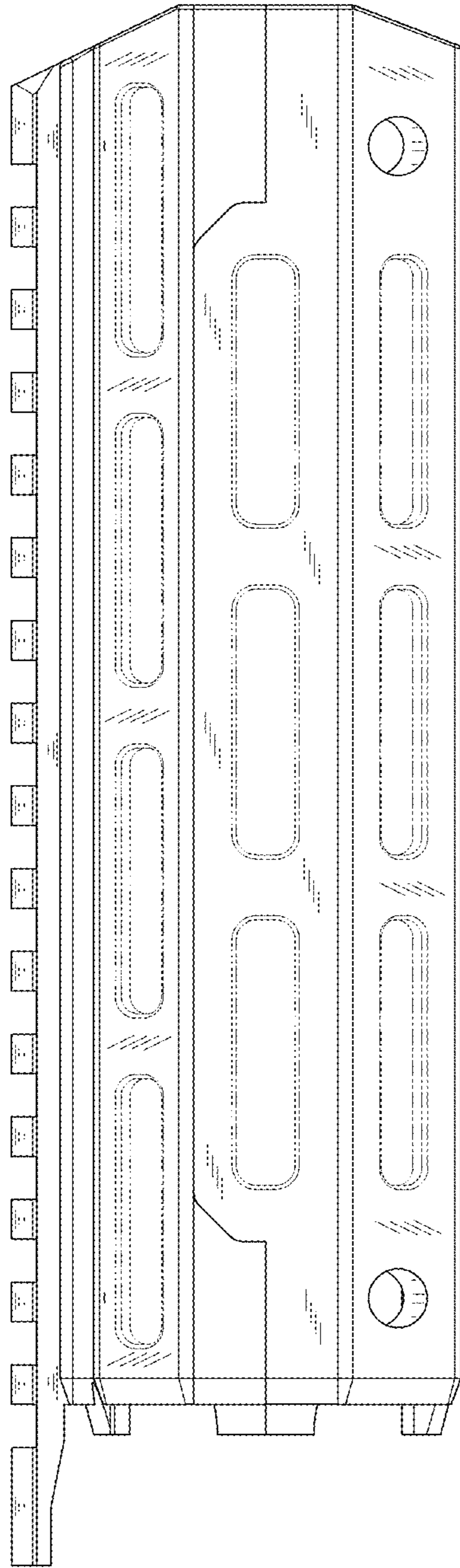


FIG.3

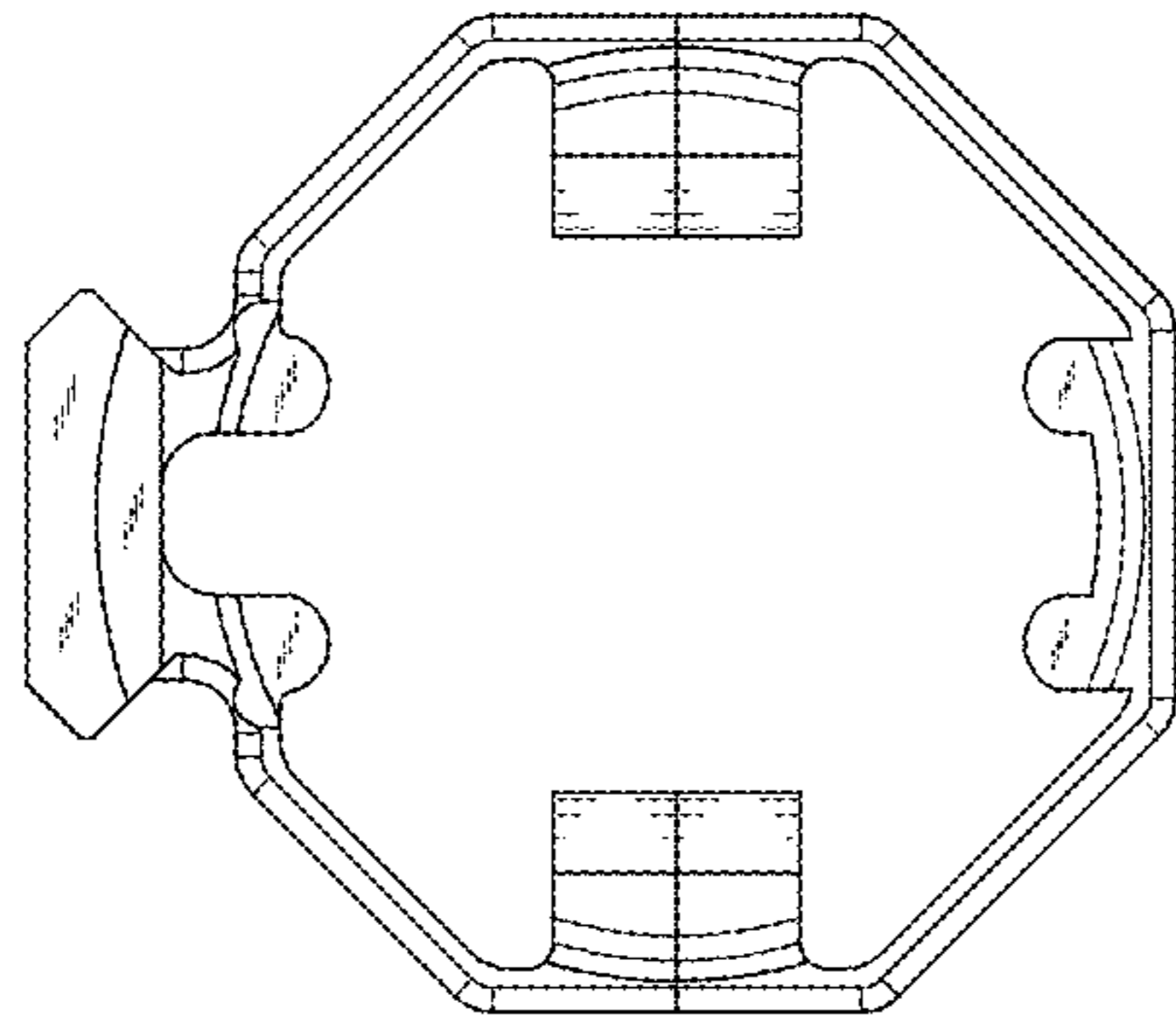


FIG. 4

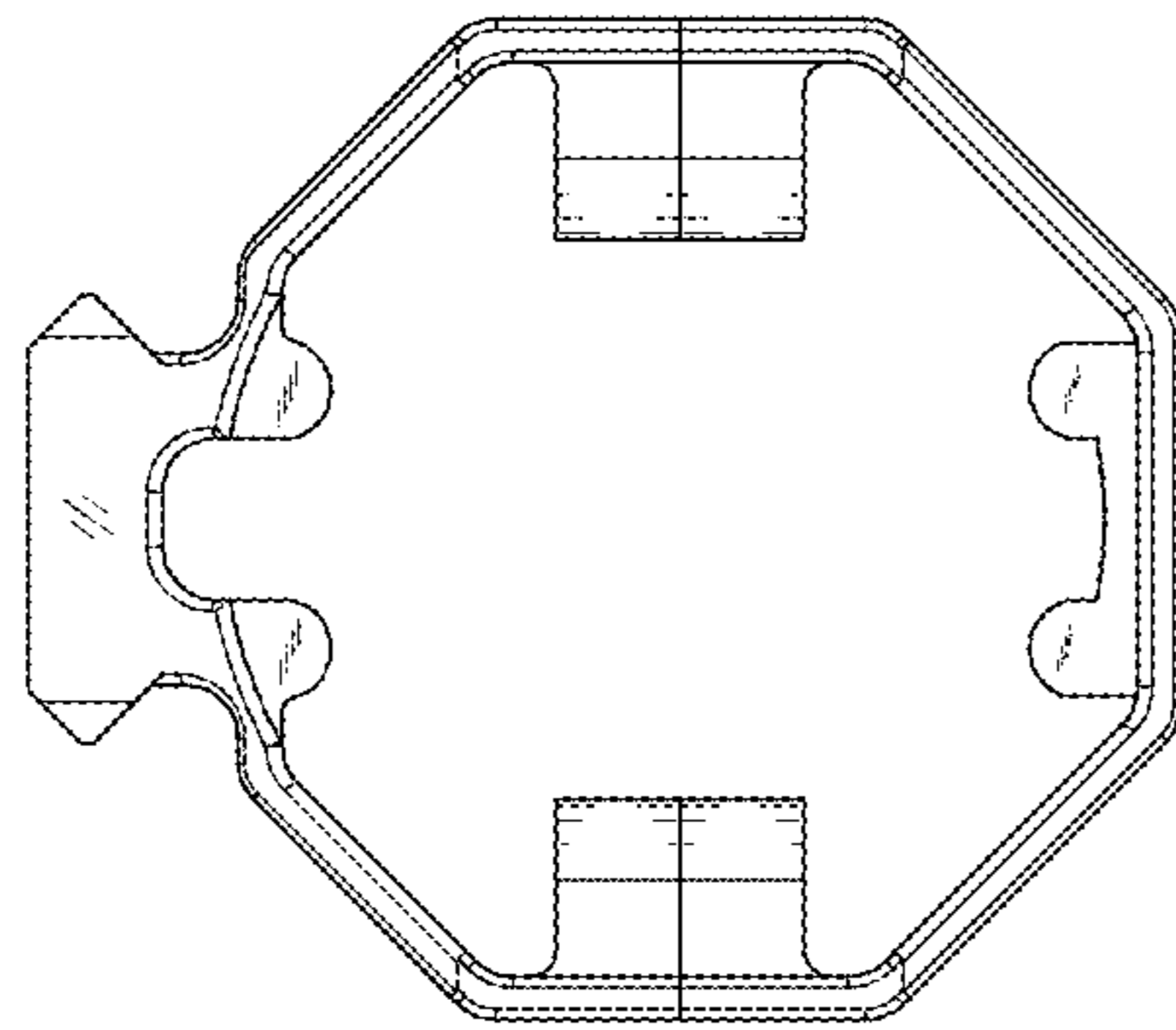


FIG. 5

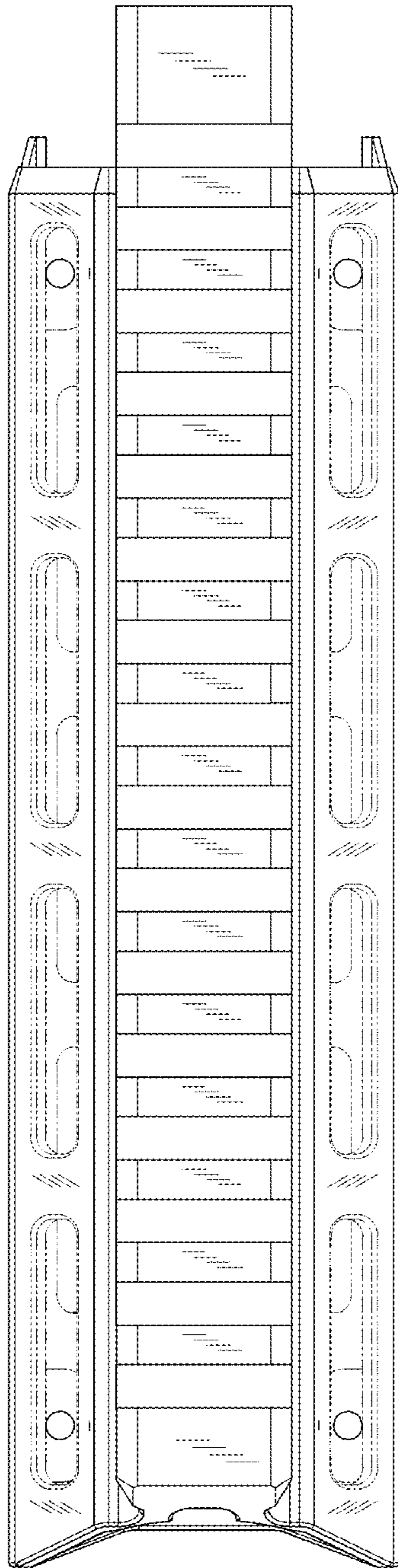


FIG.6

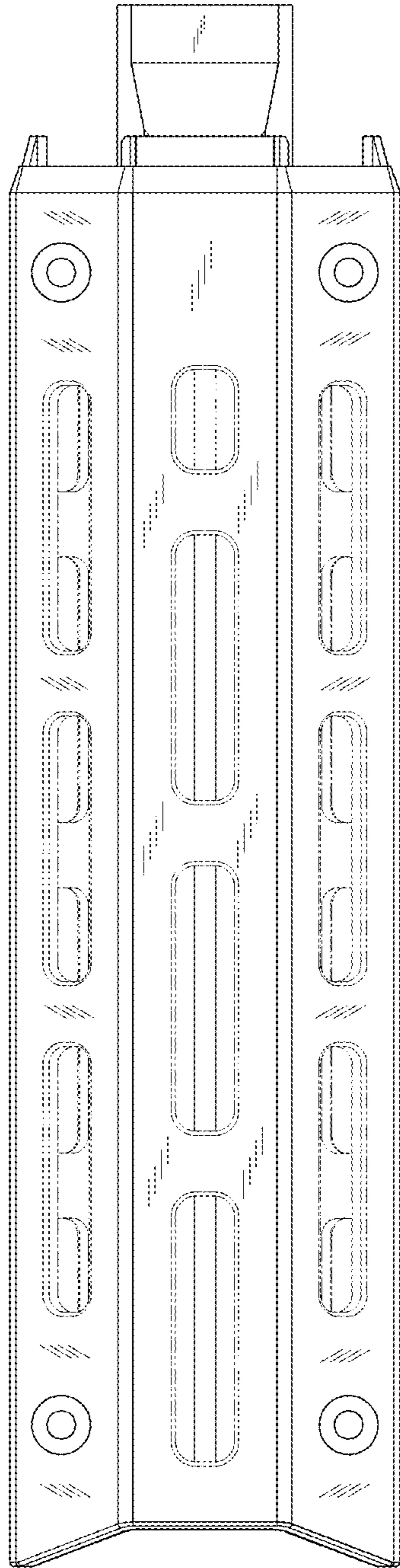


FIG.7



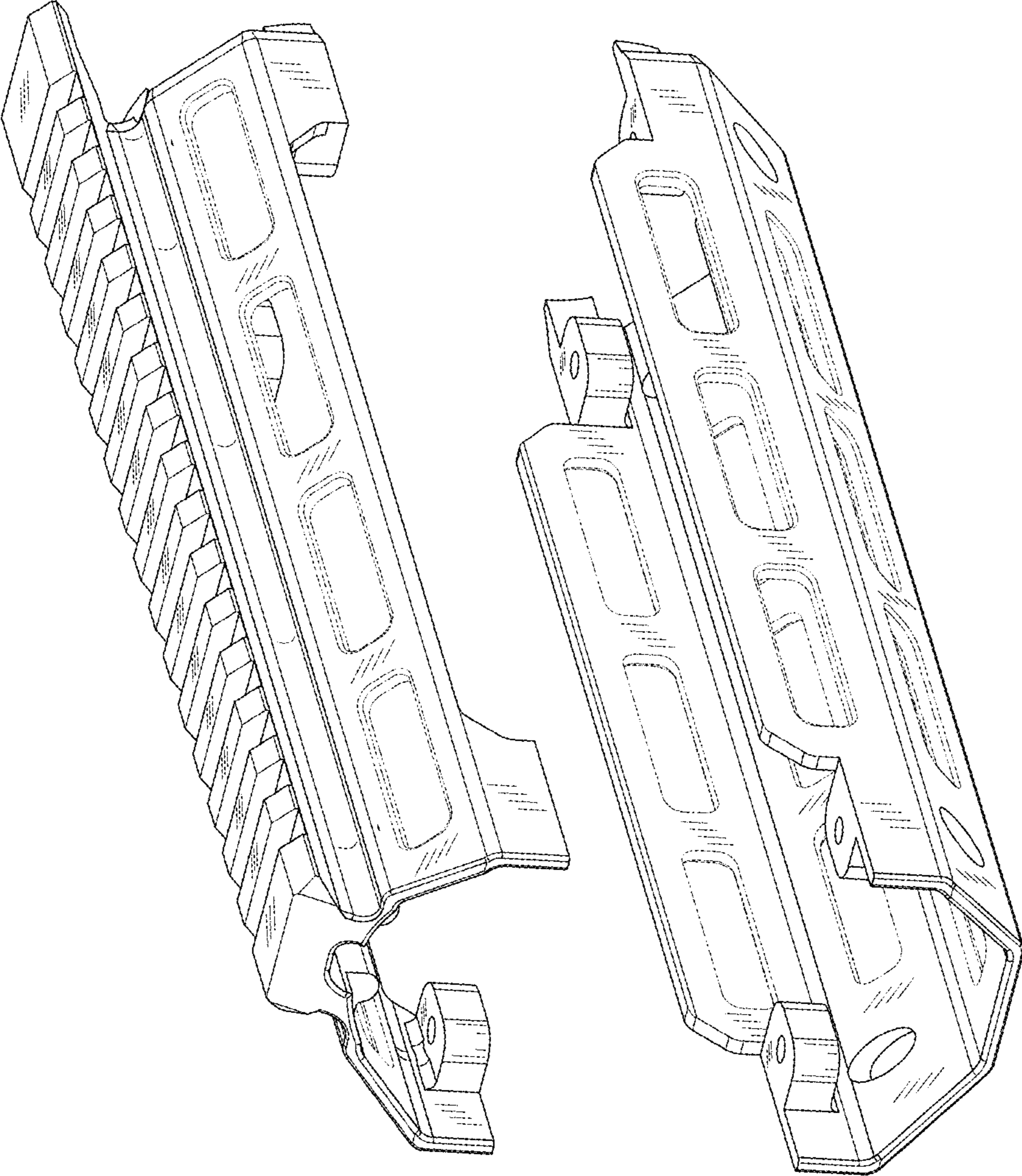


FIG. 8