



US00D779012S

(12) **United States Design Patent**
Abbott

(10) **Patent No.:** **US D779,012 S**

(45) **Date of Patent:** **** Feb. 14, 2017**

(54) **SHOTGUN**

(71) Applicant: **Brian F. Abbott**, Fort Worth, TX (US)

(72) Inventor: **Brian F. Abbott**, Fort Worth, TX (US)

(**) Term: **15 Years**

(21) Appl. No.: **29/528,835**

(22) Filed: **Jun. 1, 2015**

(51) **LOC (10) Cl.** **22-01**

(52) **U.S. Cl.**
USPC **D22/103**

(58) **Field of Classification Search**
USPC D14/418; D22/103, 108; D21/572-575
CPC F41A 5/18; F41A 5/24; F41A 21/28;
F41C 23/10; F41C 23/14; F41C
23/16; F41C 23/18; F41C 23/00; F41C
27/00; F41C 27/06
See application file for complete search history.

(56) **References Cited**

U.S. PATENT DOCUMENTS

D611,111 S *	3/2010	Hajjar	D22/103
D665,042 S *	8/2012	Kellgren	D22/103
D693,420 S *	11/2013	Abbott	D22/103
8,615,915 B2 *	12/2013	Hunter	F41A 19/10 42/69.01
8,839,709 B1 *	9/2014	Crye	F41A 9/74 89/157
D715,882 S *	10/2014	Jonker	D22/103

D723,128 S *	2/2015	Hu	D22/103
9,062,922 B1 *	6/2015	Burt	F41A 9/74
D745,102 S *	12/2015	Young	D22/103
D745,103 S *	12/2015	Corsi	D22/103
D749,181 S *	2/2016	Hu	D22/103
D750,722 S *	3/2016	Young	D22/103

* cited by examiner

Primary Examiner — Michael A Pratt
(74) *Attorney, Agent, or Firm* — Dobbin IP Law;
Geoffrey E. Dobbin

(57) **CLAIM**

The ornamental design for a shotgun, as shown and described.

DESCRIPTION

FIG. 1 is a right perspective view of the shotgun.
FIG. 2 is a top plan view of the shotgun.
FIG. 3 is a bottom plan view of the shotgun.
FIG. 4 is a front elevation of the shotgun.
FIG. 5 is a rear elevation of the shotgun.
FIG. 6 is a left elevation of the shotgun.
FIG. 7 is a right elevation of the shotgun.
FIG. 8 is an alternate right perspective view of the shotgun.
FIG. 9 is a left perspective view of the shotgun; and,
FIG. 10 is an alternate left perspective view of the shotgun.
The broken lines in FIGS. 1 and 3-10 depict surface ornamentation, a removable fore grip, and a removable magazine and are illustrative of environment and not intended to form a part of the claimed design.

1 Claim, 6 Drawing Sheets

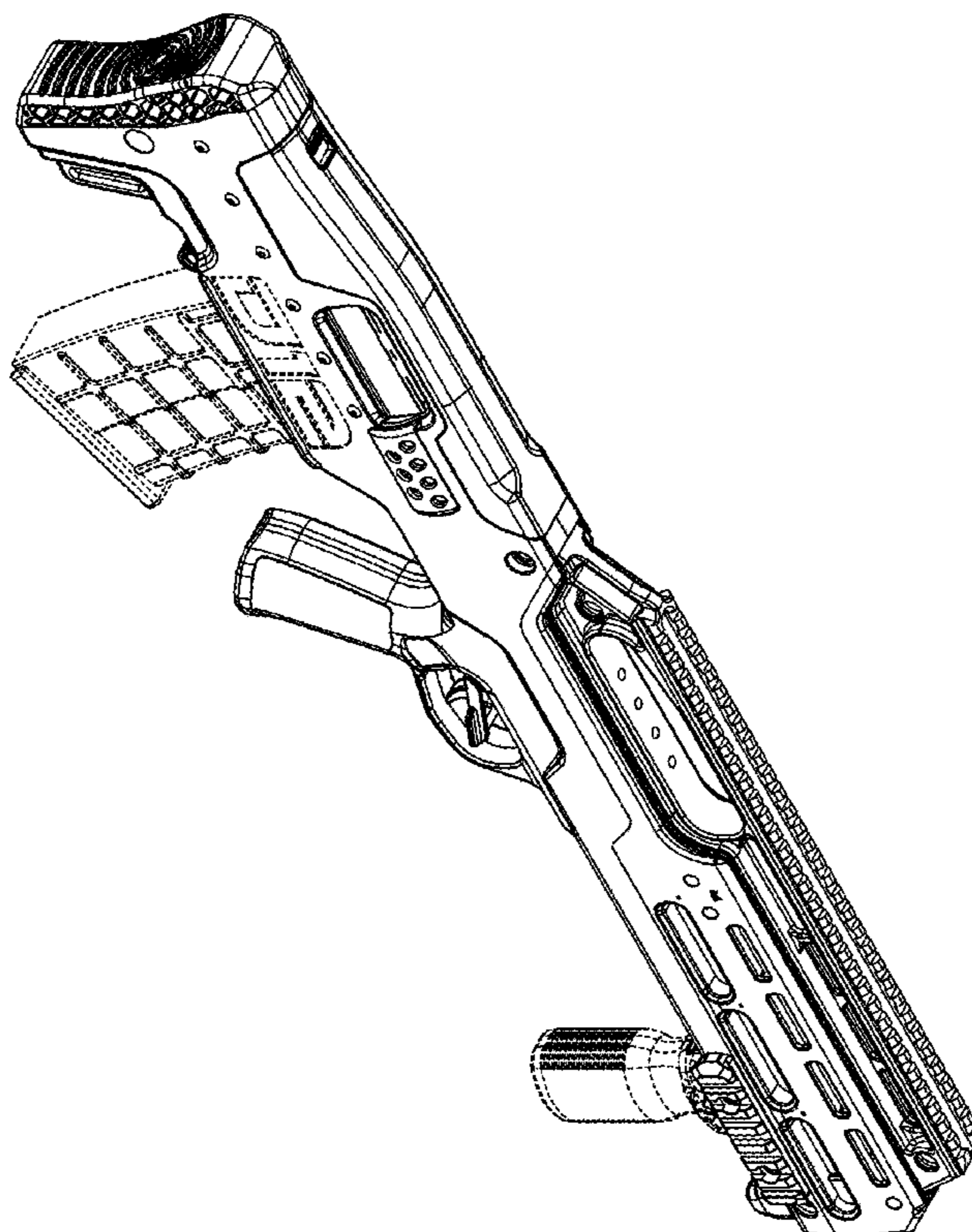
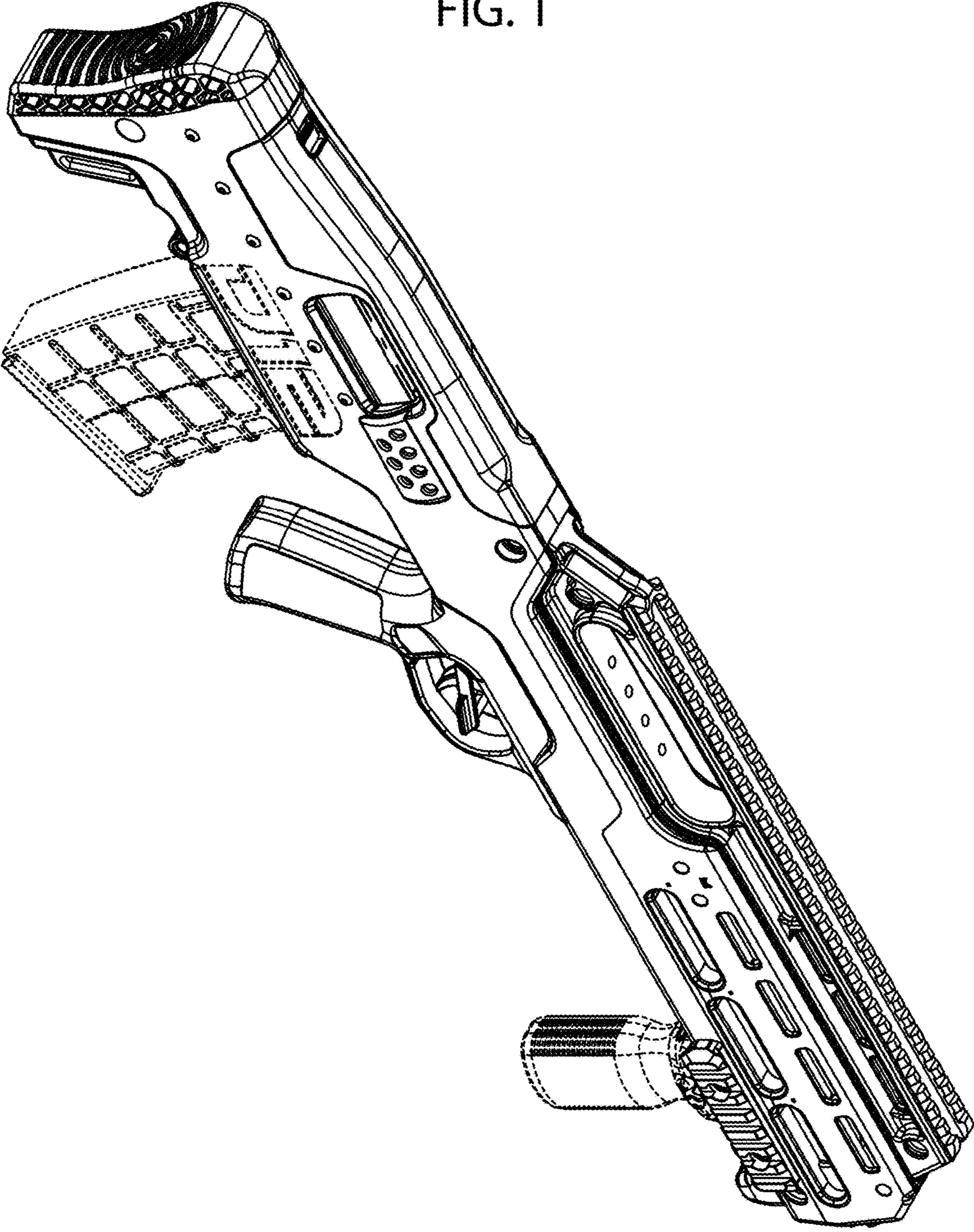


FIG. 1



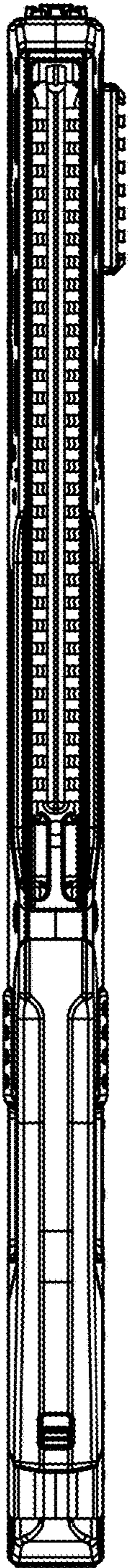


FIG. 2

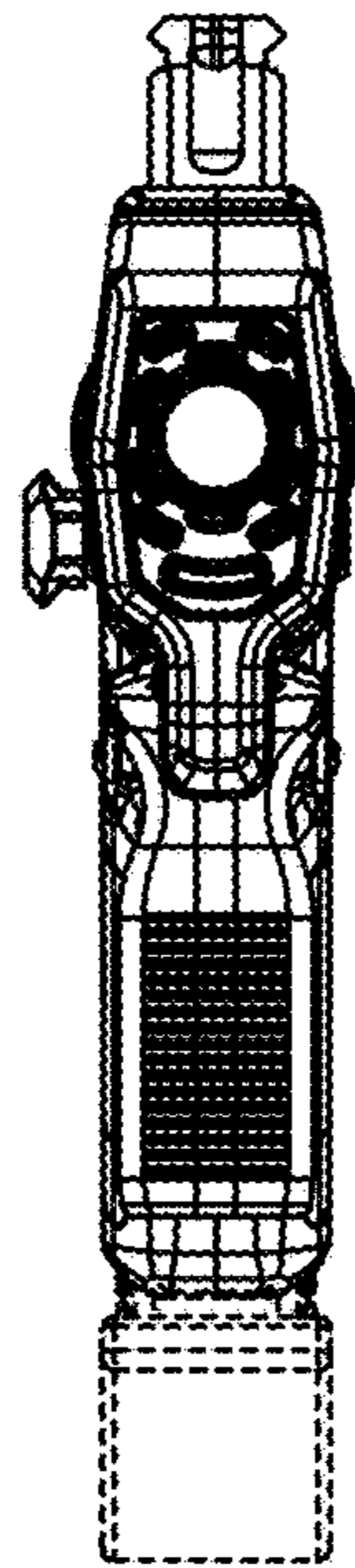


FIG. 4

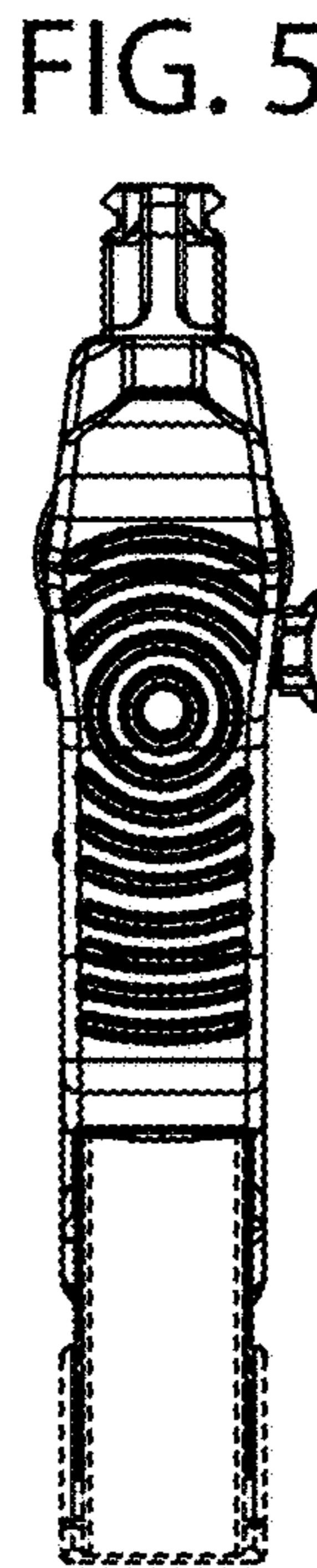


FIG. 5

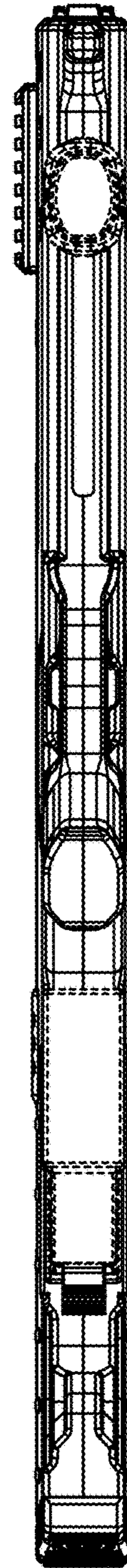


FIG. 3

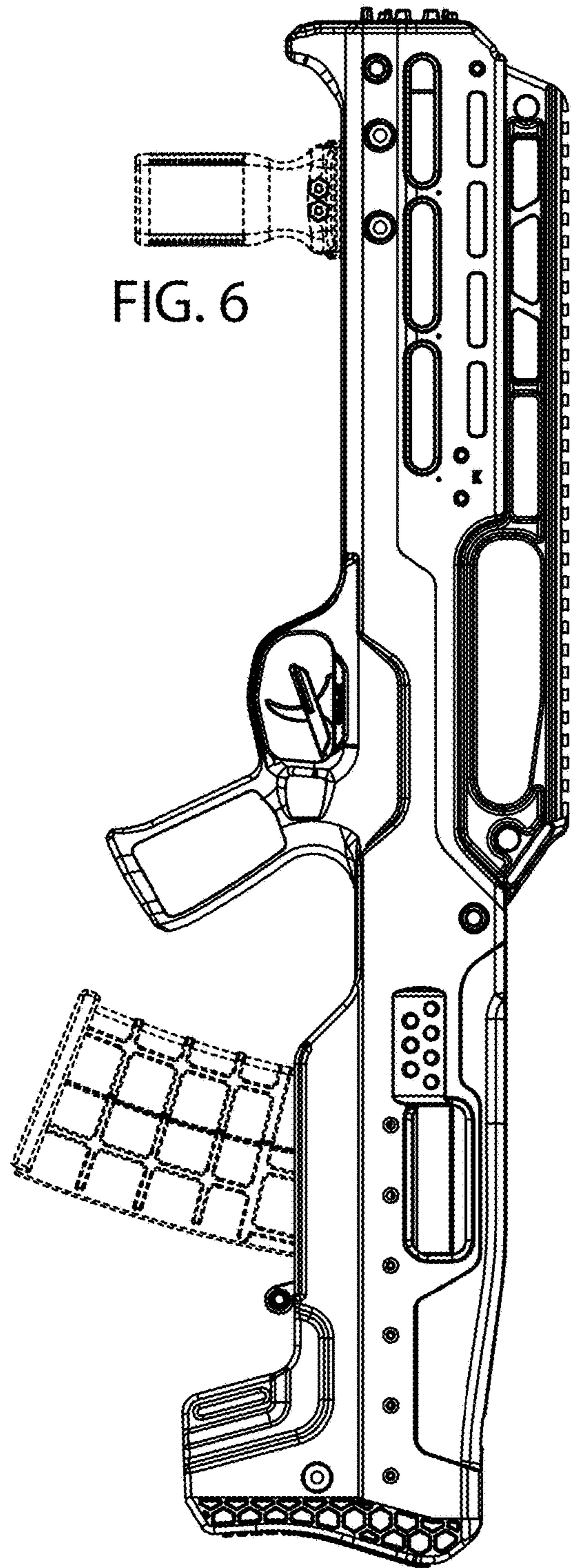


FIG. 6

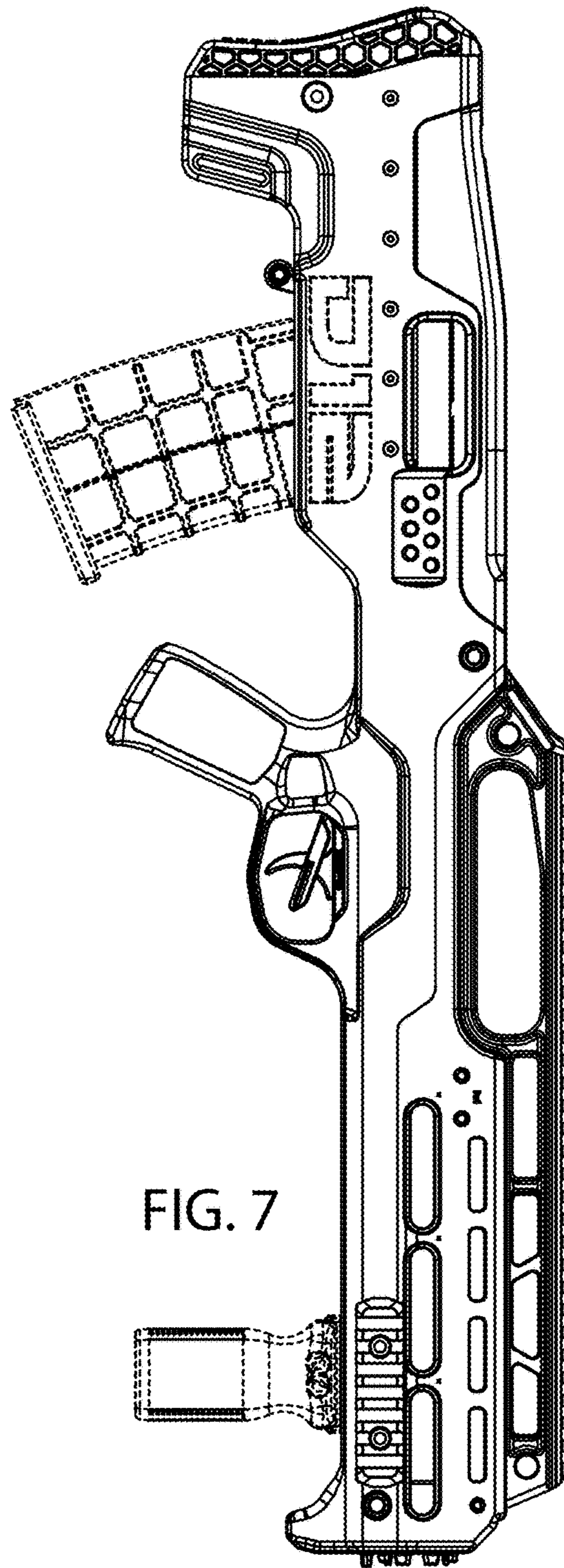


FIG. 7

FIG. 8

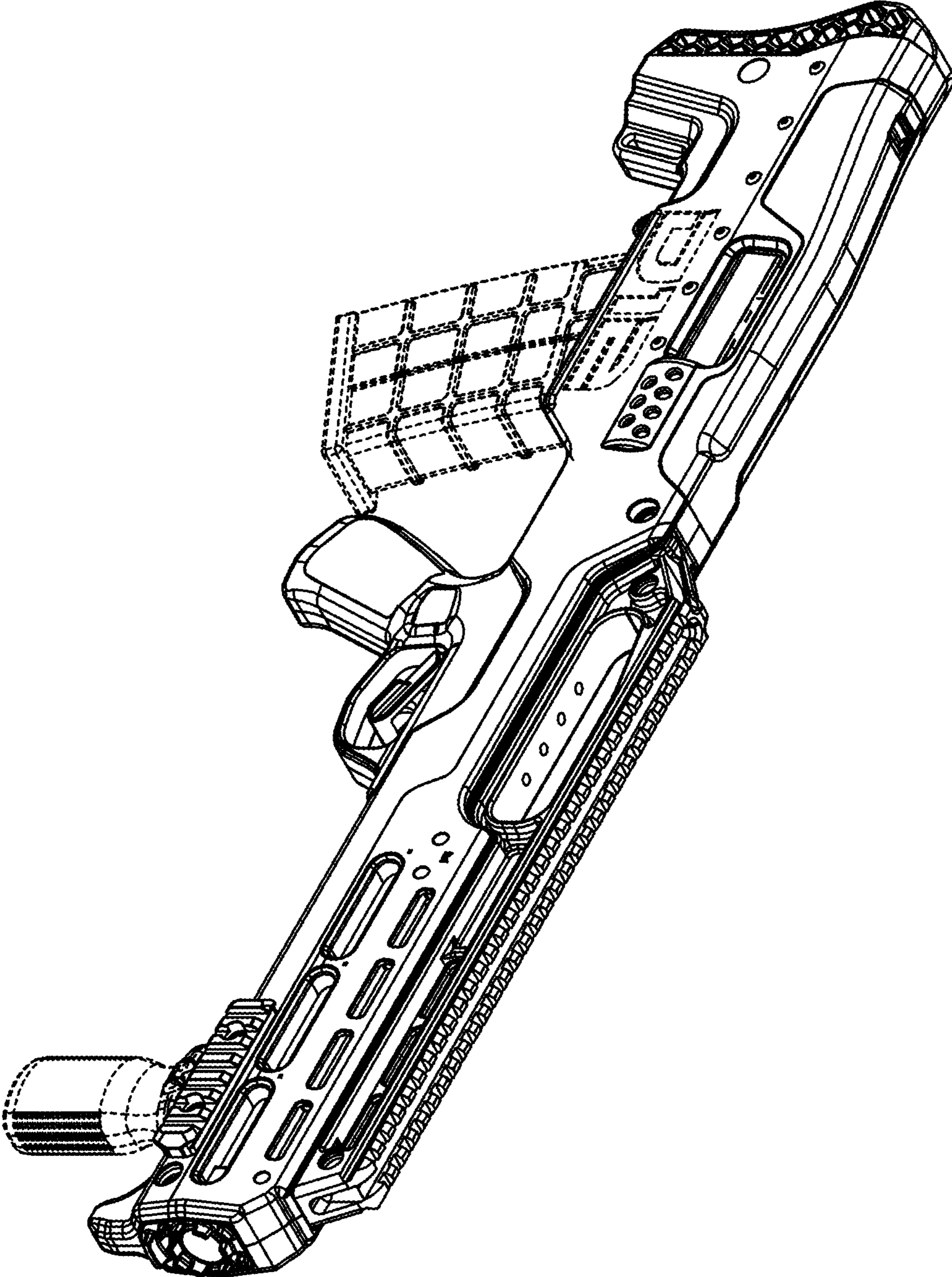


FIG. 9

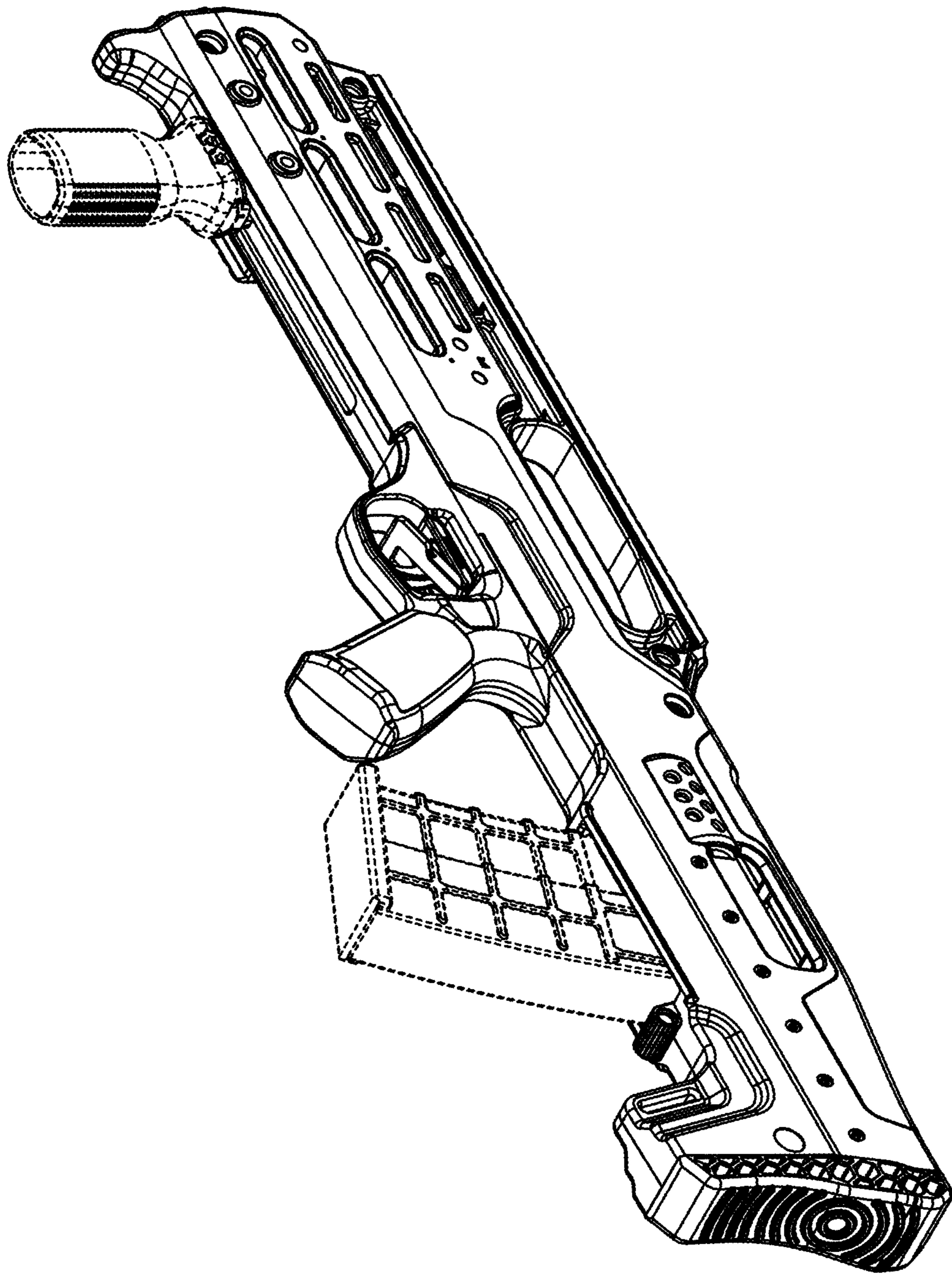


FIG. 10

