



US00D779010S

(12) **United States Design Patent**
Ozturk

(10) **Patent No.:** **US D779,010 S**

(45) **Date of Patent:** **** Feb. 14, 2017**

(54) **WATER SLIDE**

(71) Applicant: **Ali Sinan Ozturk**, Kocaeli (TR)

(72) Inventor: **Ali Sinan Ozturk**, Kocaeli (TR)

(73) Assignee: **POLIN SU PARKLARI VE HAVUZ
SISTEMLERI ANONIM SIRKETI**,
Dilovasi, Kocaeli (TR)

(**) Term: **15 Years**

(21) Appl. No.: **29/537,222**

(22) Filed: **Aug. 24, 2015**

(30) **Foreign Application Priority Data**

Apr. 1, 2015 (TR) 2015/024555

(51) **LOC (10) Cl.** **21-02**

(52) **U.S. Cl.**
USPC **D21/821**

(58) **Field of Classification Search**
USPC D21/811, 814, 818-822
CPC A63G 21/00-21/22; A63G 31/007
See application file for complete search history.

(56) **References Cited**

U.S. PATENT DOCUMENTS

- 803,119 A * 10/1905 Logan A63G 21/00
472/116
- D213,271 S * 1/1969 Gale D21/821
- D218,625 S * 9/1970 Ahrens D21/821
- D221,963 S * 9/1971 Henning D21/821
- D226,933 S * 5/1973 Wormser et al. D21/821
- D227,382 S * 6/1973 Wormser et al. D21/821
- 3,755,878 A * 9/1973 Henning A63G 21/00
472/116
- D252,645 S * 8/1979 Gale D21/821
- D253,363 S * 11/1979 Dieter D21/821

- D256,827 S * 9/1980 Allen, 3rd D21/819
- D256,828 S * 9/1980 Allen, 3rd D21/819
- D256,940 S * 9/1980 Allen, 3rd D21/819
- D262,230 S * 12/1981 Ament D21/820
- D268,859 S * 5/1983 Ament D21/820
- 4,394,173 A * 7/1983 Aste A63G 21/06
472/116
- D335,517 S * 5/1993 Vatterot D21/821
- D521,098 S * 5/2006 Hunter D21/819
- D548,810 S * 8/2007 Hunter D21/821
- D567,322 S * 4/2008 Hunter D21/821
- D577,408 S * 9/2008 Ketcherside D21/821
- D583,895 S * 12/2008 Hlynka D21/821
- D619,186 S * 7/2010 Strall D21/818
- 7,775,850 B2 * 8/2010 Todokoro A63H 23/10
446/156
- D629,861 S * 12/2010 Cuttell D21/821
- D650,463 S * 12/2011 Degirmenci D21/819
- D697,159 S * 1/2014 Altindag D21/819
- D703,782 S * 4/2014 Svendsen D21/821
- D705,381 S * 5/2014 Brassard D21/821
- D731,018 S * 6/2015 Svendsen D21/821
- D760,856 S * 7/2016 Svendsen D21/821

* cited by examiner

Primary Examiner — Mitchell Siegel

(74) *Attorney, Agent, or Firm* — Egbert Law Offices,
PLLC

(57) **CLAIM**

The ornamental design for a water slide, as shown and described.

DESCRIPTION

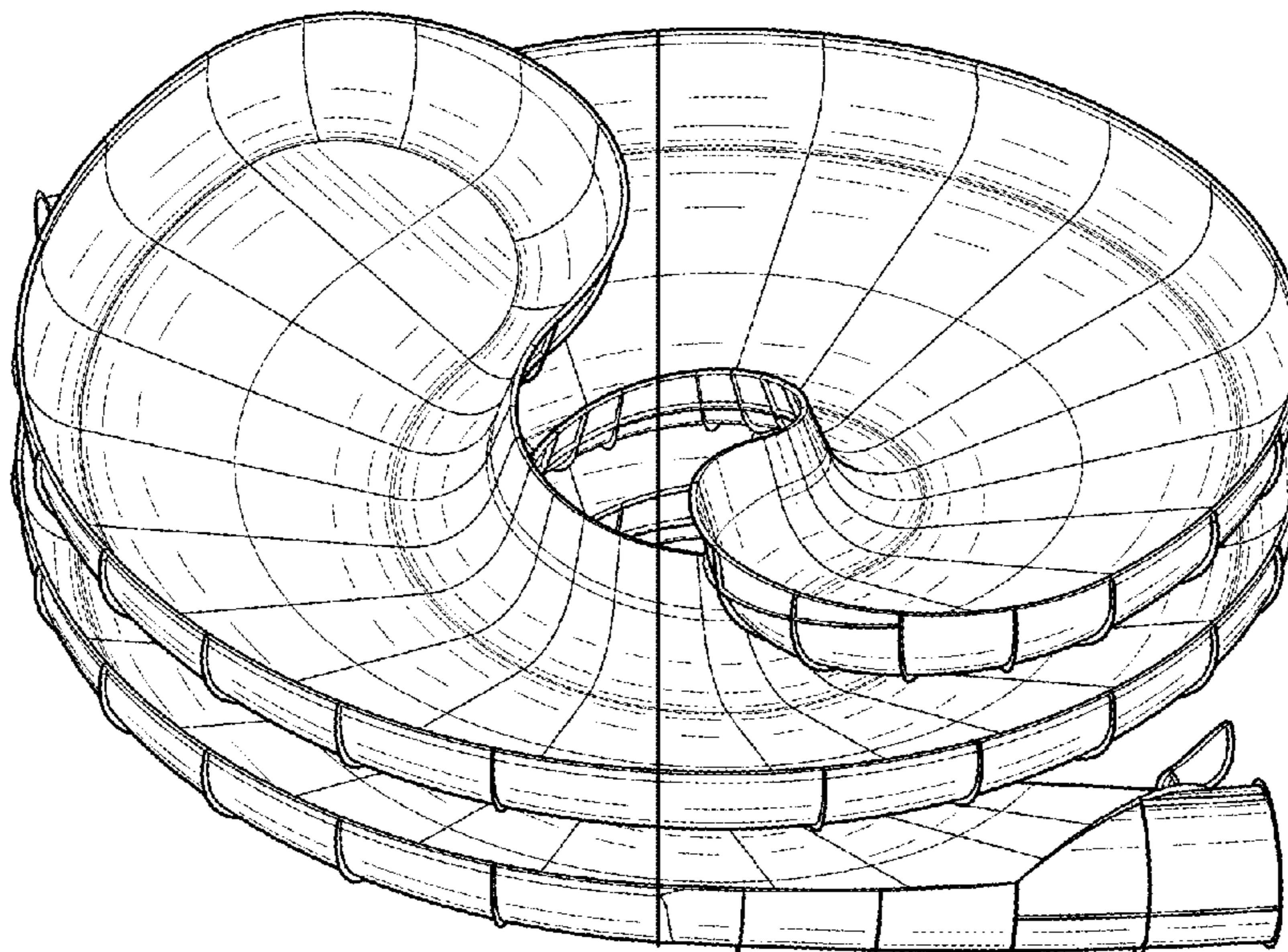
FIG. 1 is an upper perspective view of a water slide showing my new design.

FIG. 2 is a top view thereof;

FIG. 3 is a side view thereof, an opposite side view being identical; and,

FIG. 4 is a front view thereof, a rear view being identical.

1 Claim, 2 Drawing Sheets



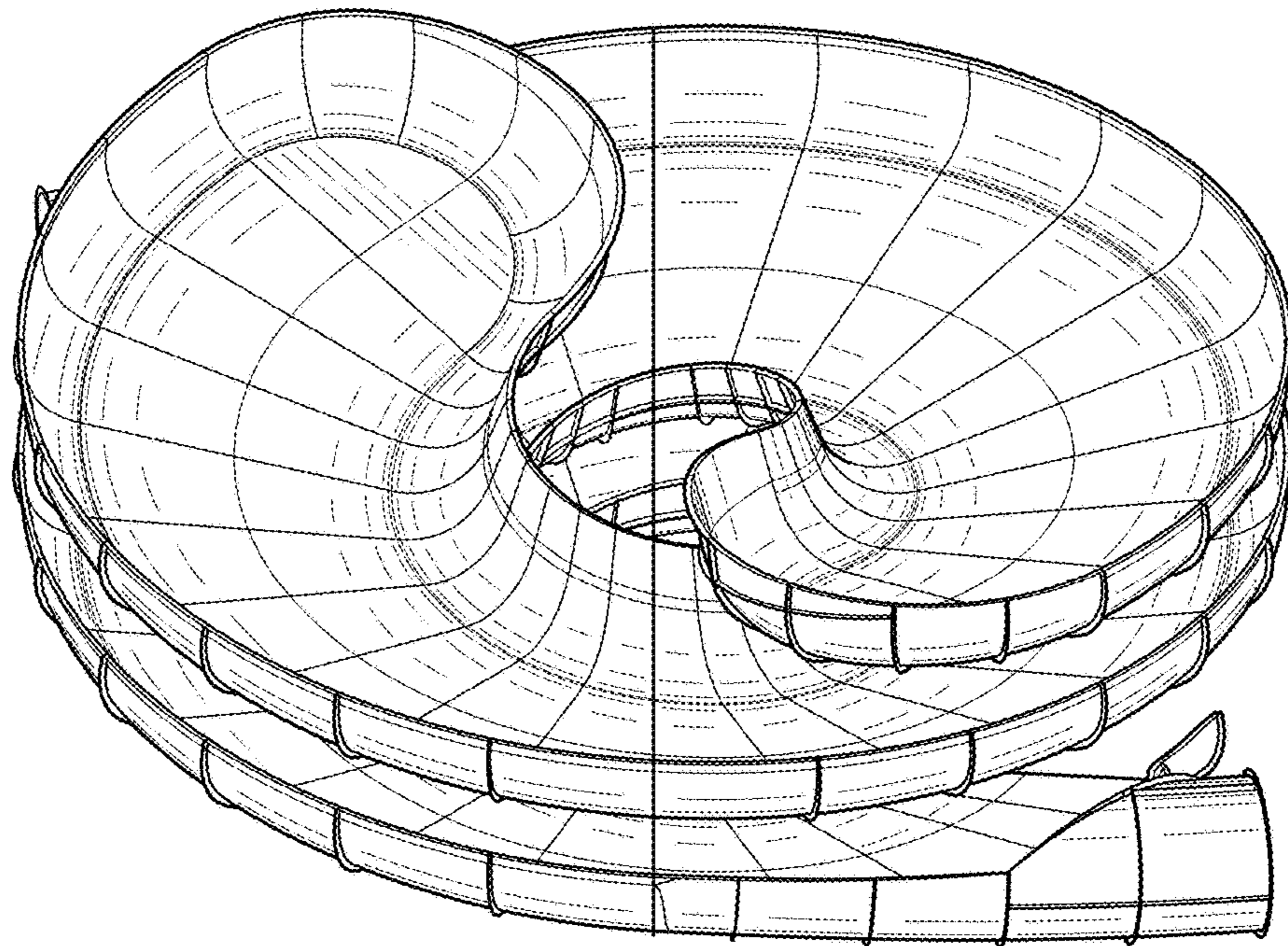


FIG. 1

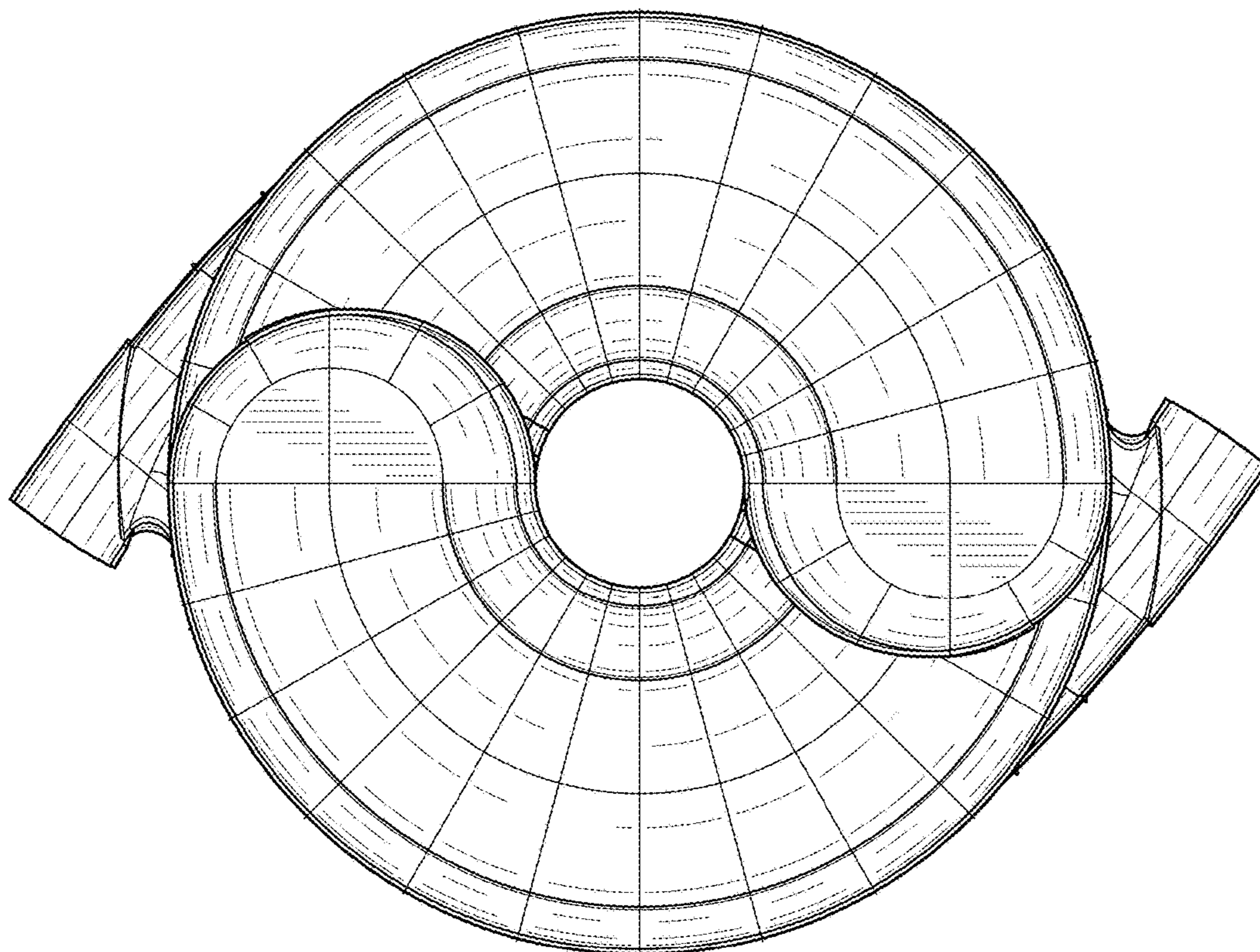


FIG. 2

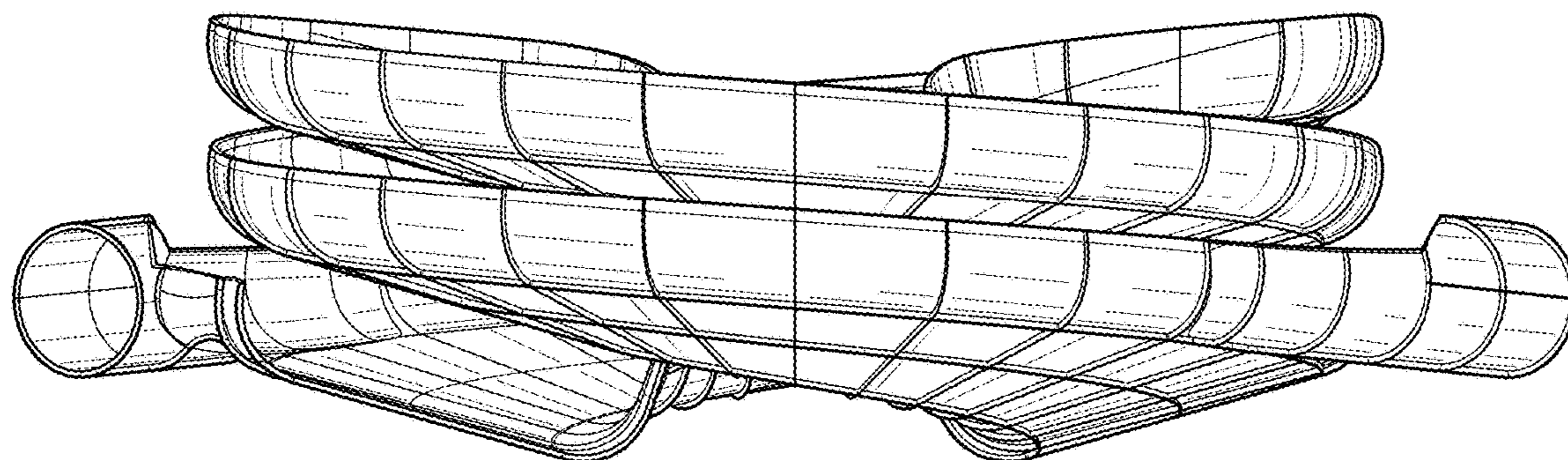


FIG. 3

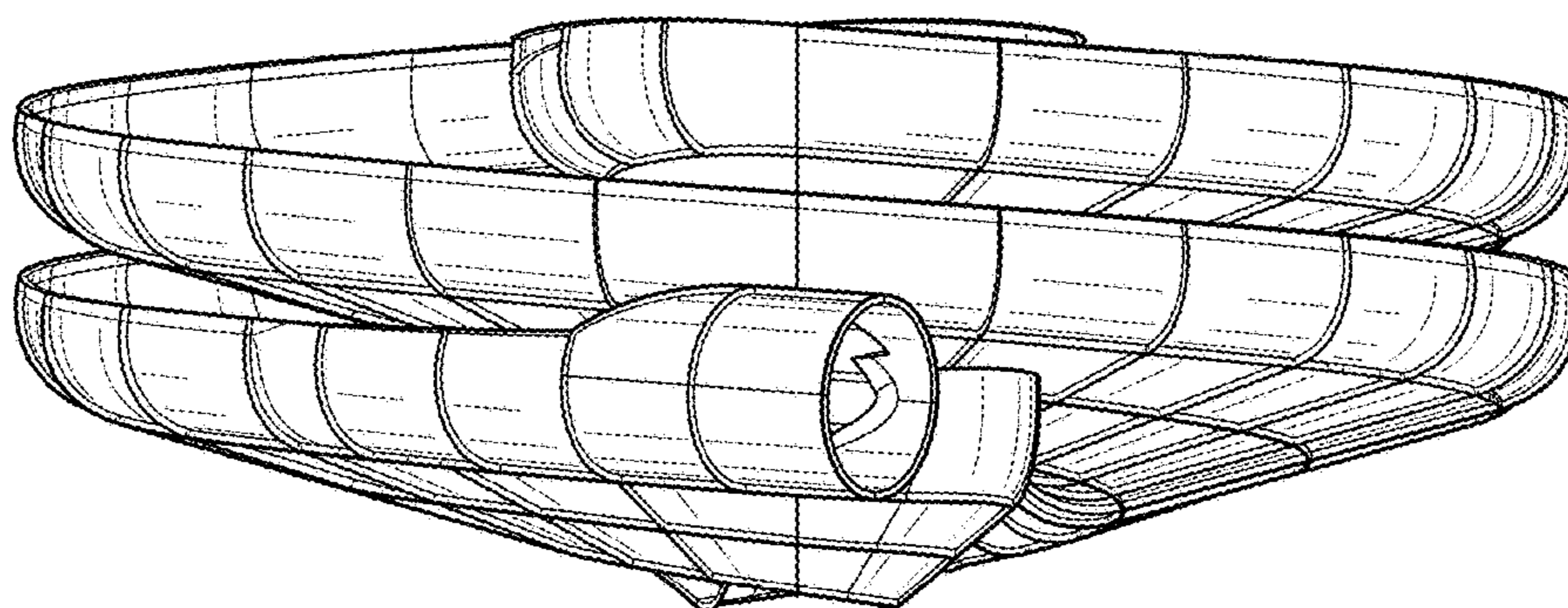


FIG. 4