



US00D779009S

(12) **United States Design Patent** (10) **Patent No.:** **US D779,009 S**
Chiu (45) **Date of Patent:** **** Feb. 14, 2017**

(54) **PERSONAL FLOTATION DEVICE**

(71) Applicant: **Aurelius Fortuna LLC**, Santa Fe, NM (US)
(72) Inventor: **Charnes Chiu**, Santa Fe, NM (US)
(73) Assignee: **AURELIUS FORTUNA LLC**, Santa Fe, NM (US)

(**) Term: **15 Years**

(21) Appl. No.: **29/537,098**

(22) Filed: **Aug. 21, 2015**

(51) **LOC (10) Cl.** **29-02**

(52) **U.S. Cl.**
USPC **D21/805**

(58) **Field of Classification Search**

USPC D21/801, 804–806, 808, 415, 428,
D21/438–439, 473, 576, 597, 626,
D21/683–685, 797; D11/3, 5, 17, 20;
D2/627

CPC B63C 9/11; B63C 2009/0023; B63C 9/08;
B63C 2009/042; B63C 2009/046; A63B
31/10–31/12; A63B 31/00; A63B 31/08;
B63B 35/76; B63B 114/345–114/346;
B63B 441/35; B63B 441/66; B63B
441/40–441/41; B63B 441/129–441/132;
B63B 472/128–472/129

See application file for complete search history.

(56) **References Cited**

U.S. PATENT DOCUMENTS

278,432 A * 5/1883 Hoefflich B63C 9/115
251/277
1,164,584 A * 12/1915 Due A63B 31/00
441/119
1,302,823 A * 5/1919 Marcovsky B63C 9/115
441/110
1,824,711 A * 9/1931 De Noya A47C 15/006
441/111
1,831,472 A * 11/1931 Abramowitz B63C 9/135
441/113

(Continued)

OTHER PUBLICATIONS

“Comfortable fitness wrist/ankle weights blue,” [online], posted Sep. 3, 2016, retrieved Nov. 18, 2016, retrieved from <https://www.amazon.com/Comfortable-Fitness-Wrist-ankle-Weights/dp/B014HXZUD2/ref=sr_1_28?s=sporting-goods&ie=UTF8&qid=1479495233&sr=1-28&keywords=ankle+weights>.*

(Continued)

Primary Examiner — Karen Kearney

Assistant Examiner — Debra Callahan

(74) *Attorney, Agent, or Firm* — Heidi Eisenhut; Loza & Loza LLP

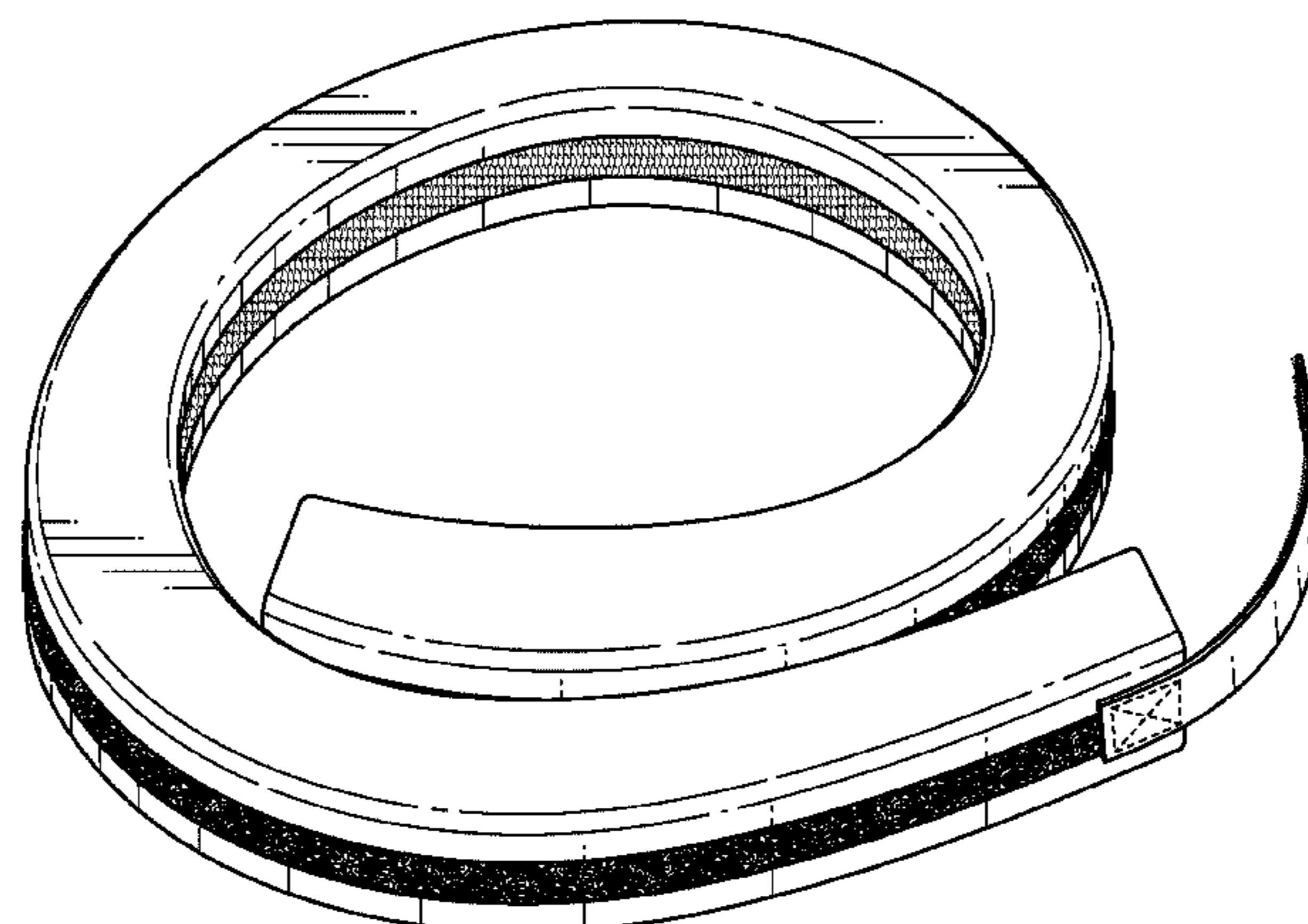
(57) **CLAIM**

The ornamental design for a personal flotation device, as shown and described.

DESCRIPTION

FIG. 1 is a top, right perspective view of a personal flotation device of the present invention;
FIG. 2 is an inner elevation view of the personal flotation device of FIG. 1 in an open position;
FIG. 3 is an outer elevation view of the personal flotation device of FIG. 1 in an open position;
FIG. 4 is a side elevation view of a first outer edge of the personal flotation device of FIG. 1;
FIG. 5 is a side elevation view of a second outer edge of the personal flotation device of FIG. 1;
FIG. 6 is a top plan view of the personal flotation device of FIG. 1;
FIG. 7 is a bottom plan view of the personal flotation device of FIG. 1; and,
FIG. 8 is a front perspective view of the personal flotation device of FIG. 1.
The broken lines depicting an individual in FIG. 8 represents environmental subject matter and forms no part of the claimed design.

1 Claim, 3 Drawing Sheets



(56)

References Cited

U.S. PATENT DOCUMENTS

2,538,265 A * 1/1951 Paston A44C 5/0053
 224/176
 D179,326 S * 11/1956 Stansell D21/805
 2,802,222 A * 8/1957 Chapman B63C 9/135
 441/113
 3,049,735 A * 8/1962 Baker B63C 9/135
 441/108
 D197,820 S * 3/1964 Baker D21/805
 3,141,180 A * 7/1964 Pursley A41D 7/001
 441/102
 3,374,636 A * 3/1968 Mason B63C 11/30
 2/312
 3,713,299 A * 1/1973 Duncan B63C 11/30
 224/664
 4,327,853 A * 5/1982 Adams A45C 1/04
 224/222
 D296,919 S * 7/1988 Faulconer D21/805
 D297,658 S * 9/1988 Winston D2/969
 D302,874 S * 8/1989 Bossart D2/627
 D302,997 S * 8/1989 Wolfe D21/576
 D330,930 S * 11/1992 McCrory D21/805
 D336,550 S * 6/1993 Bishop D2/627
 D383,993 S * 9/1997 Kalbach D11/3
 D417,714 S * 12/1999 Yeung D21/803

D457,688 S * 5/2002 Cordero D2/627
 D558,427 S * 1/2008 Solin D2/624
 D582,994 S * 12/2008 Ulichney D21/683
 D662,004 S * 6/2012 Hardy D11/3
 D688,344 S * 8/2013 Cheung D21/803
 D707,148 S * 6/2014 Proud D11/5
 D739,117 S * 9/2015 Holloway D2/627
 D750,343 S * 3/2016 Biesel D2/627
 2009/0075537 A1* 3/2009 Devers A43B 5/08
 441/129
 2013/0280972 A1* 10/2013 Cheung E04H 4/143
 441/129
 2013/0323990 A1* 12/2013 Justice A63B 21/0084
 441/88

OTHER PUBLICATIONS

Easy-close Wave belt (velcro closure), [online], posted Jun. 2, 2014, retrieved Nov. 21, 2016, retrieved from <<http://www.hydrofit.com/easy-close-wave-belt-velcro-closure/>>.*

“Resistance swim aquatic cuff water aerobics running aqua exercise pair,” [online], posted Sep. 16, 2016, retrieved Nov. 21, 2016, retrieved from <<http://www.ebay.co.uk/itm/Resistance-Swim-AQUATIC-CUFF-Water-Aerobics-Running-Aqua-Exercise-PAIR-/281822508211?var=&hash=item419dee34b3>>.*

* cited by examiner

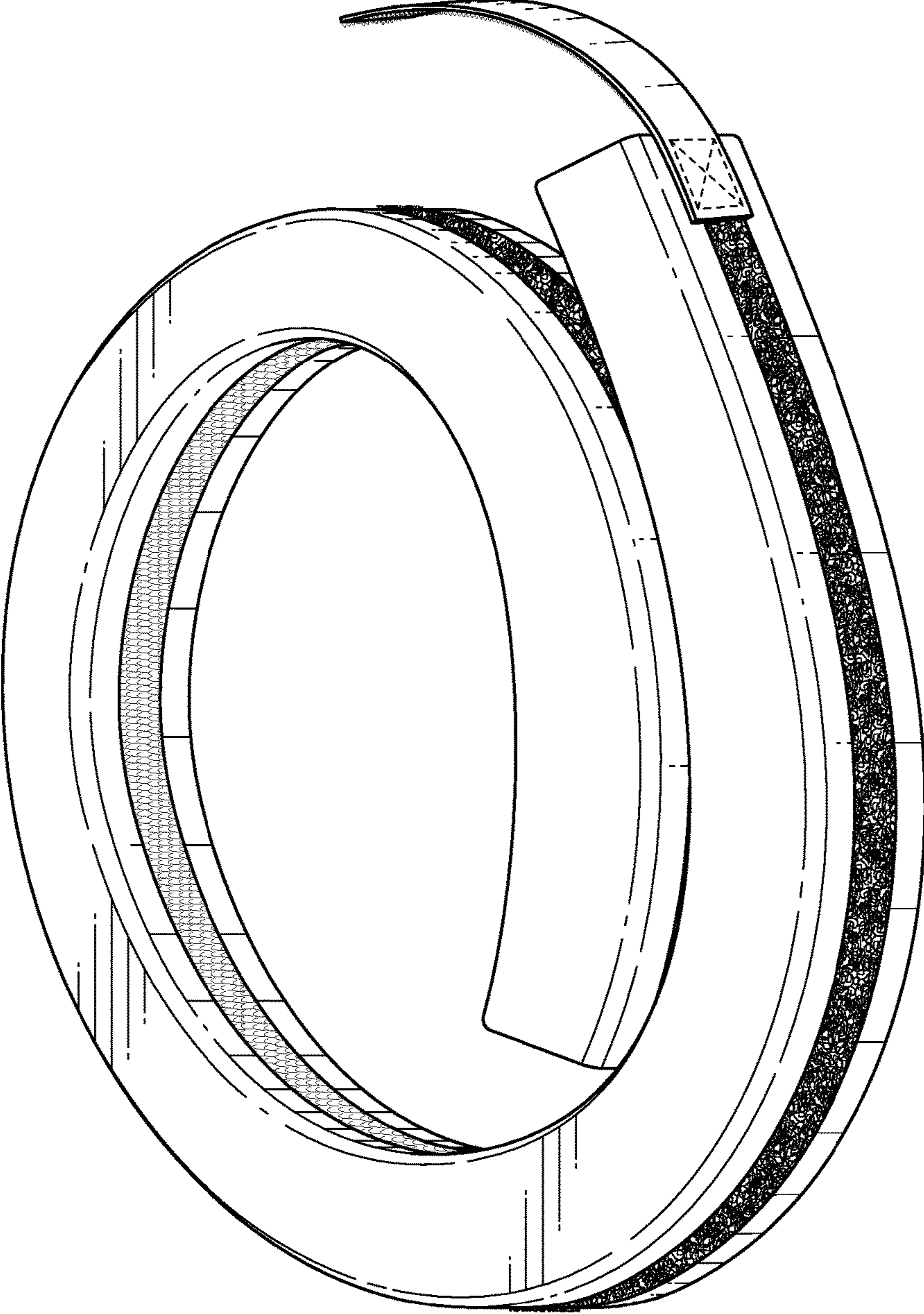


FIG. 1

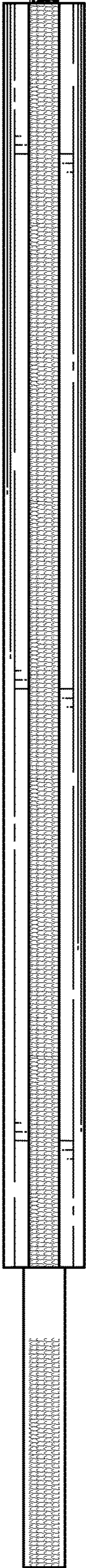


FIG. 2



FIG. 3

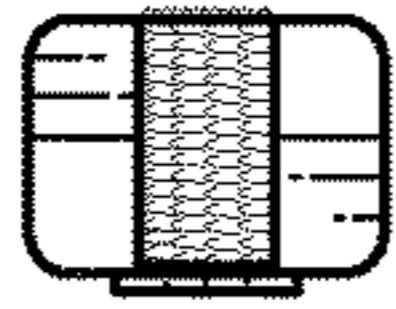


FIG. 4



FIG. 5



FIG. 6



FIG. 7

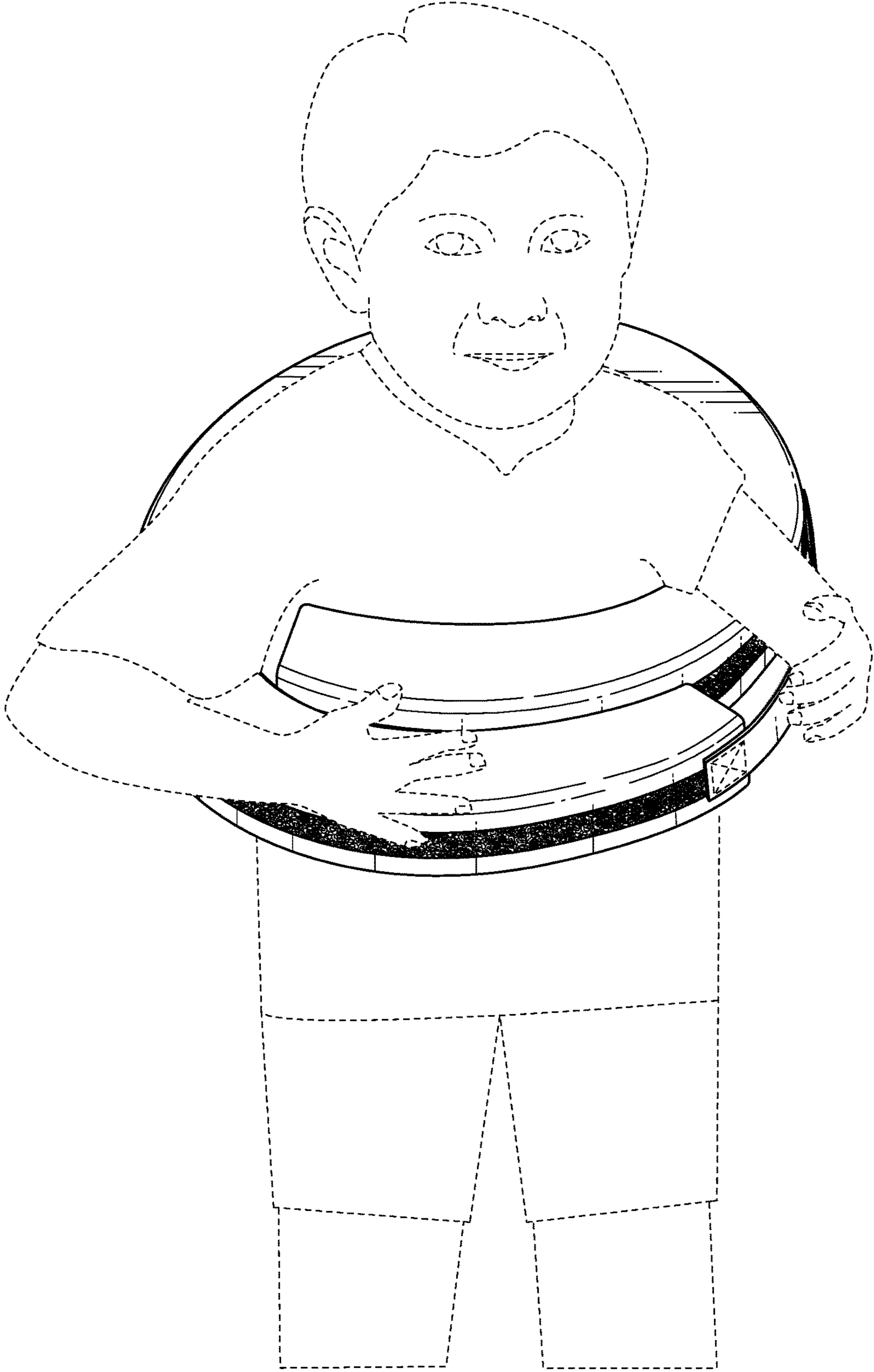


FIG. 8