



US00D779007S

(12) **United States Design Patent**  
**Oyler**

(10) **Patent No.:** **US D779,007 S**

(45) **Date of Patent:** **\*\* Feb. 14, 2017**

(54) **GOLF CLUB**

(71) Applicant: **Golf Tailor, LLC**, Edmond, OK (US)

(72) Inventor: **Tim Oyler**, Edmond, OK (US)

(73) Assignee: **Golf Tailor, LLC**, Edmond, OK (US)

(\*\*) Term: **15 Years**

(21) Appl. No.: **29/548,327**

(22) Filed: **Dec. 11, 2015**

(51) **LOC (10) Cl.** ..... **21-02**

(52) **U.S. Cl.**  
USPC ..... **D21/747**

(58) **Field of Classification Search**  
USPC ..... D21/747-751  
CPC ..... A63B 53/00; A63B 53/04; A63B 53/047;  
A63B 53/0475; A63B 53/0445; A63B  
2053/0479  
See application file for complete search history.

(56) **References Cited**

**U.S. PATENT DOCUMENTS**

- 1,695,598 A \* 12/1928 MacClain ..... A63B 53/04  
473/328
- 1,975,822 A \* 10/1934 Young ..... A63B 53/04  
473/328
- D228,564 S \* 10/1973 Braly ..... D21/751
- 3,810,631 A \* 5/1974 Braly ..... A63B 53/04  
473/328
- 3,862,759 A \* 1/1975 Evans ..... A63B 53/04  
473/328
- D301,907 S \* 6/1989 Muta ..... D21/750

- D357,045 S \* 4/1995 Simmons ..... D21/748
- D376,632 S \* 12/1996 Simmons ..... D21/750
- D603,918 S \* 11/2009 Simon ..... D21/747
- 8,795,102 B2 \* 8/2014 Knight ..... A63B 53/047  
473/350
- D766,388 S \* 9/2016 Wang ..... D21/747

\* cited by examiner

*Primary Examiner* — Mitchell Siegel

(74) *Attorney, Agent, or Firm* — Steven M. Shape

(57) **CLAIM**

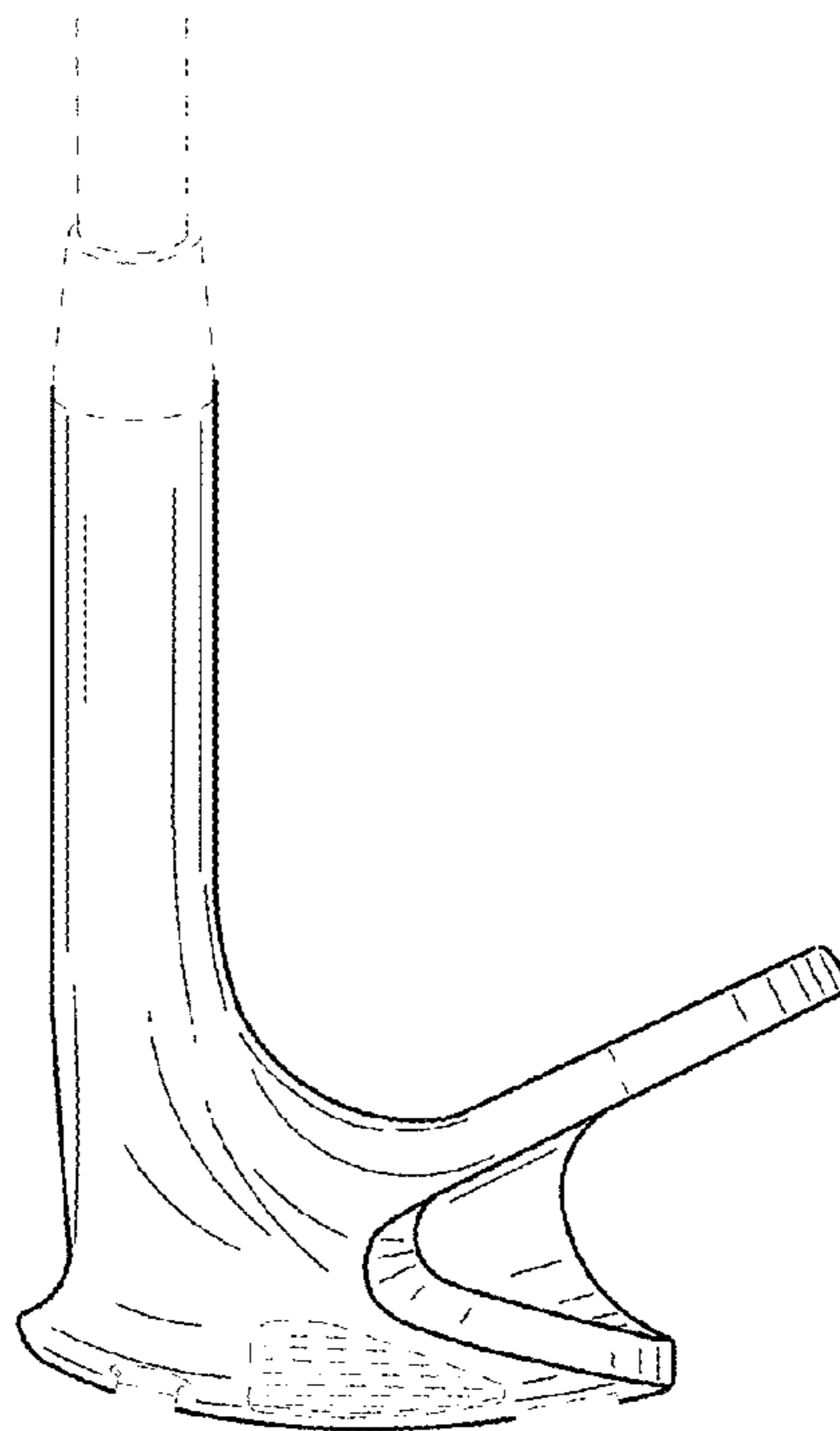
The ornamental design for a golf club, as shown and described.

**DESCRIPTION**

FIG. 1 is a front perspective view of the golf club;  
 FIG. 2 is a rear perspective view of the golf club of FIG. 1;  
 FIG. 3 is a rear view of the golf club of FIG. 1;  
 FIG. 4 is a front view of the golf club of FIG. 1;  
 FIG. 5 is a left-side elevation view of the golf club of FIG. 1;  
 FIG. 6 is a right-side elevation view of the golf club of FIG. 1;  
 FIG. 7 is a top plan view of the golf club of FIG. 1;  
 FIG. 8 is a bottom plan view of the golf club of FIG. 1; and,  
 FIG. 9 is a cross sectional view of the golf club along the line 9-9 of FIG. 3.

The broken line showing is included for the purpose of illustrating and forms no part of the claimed design.

**1 Claim, 6 Drawing Sheets**



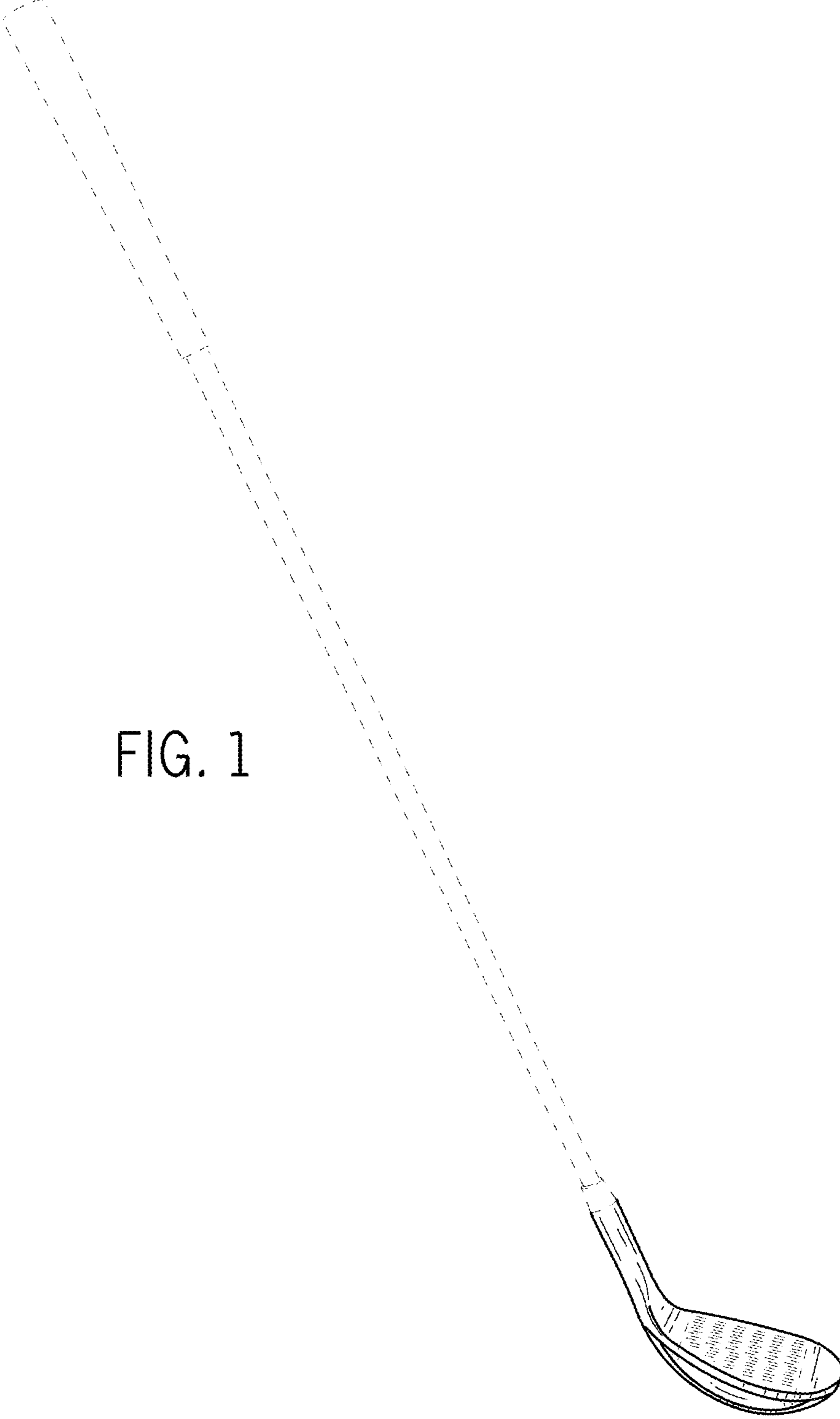


FIG. 1

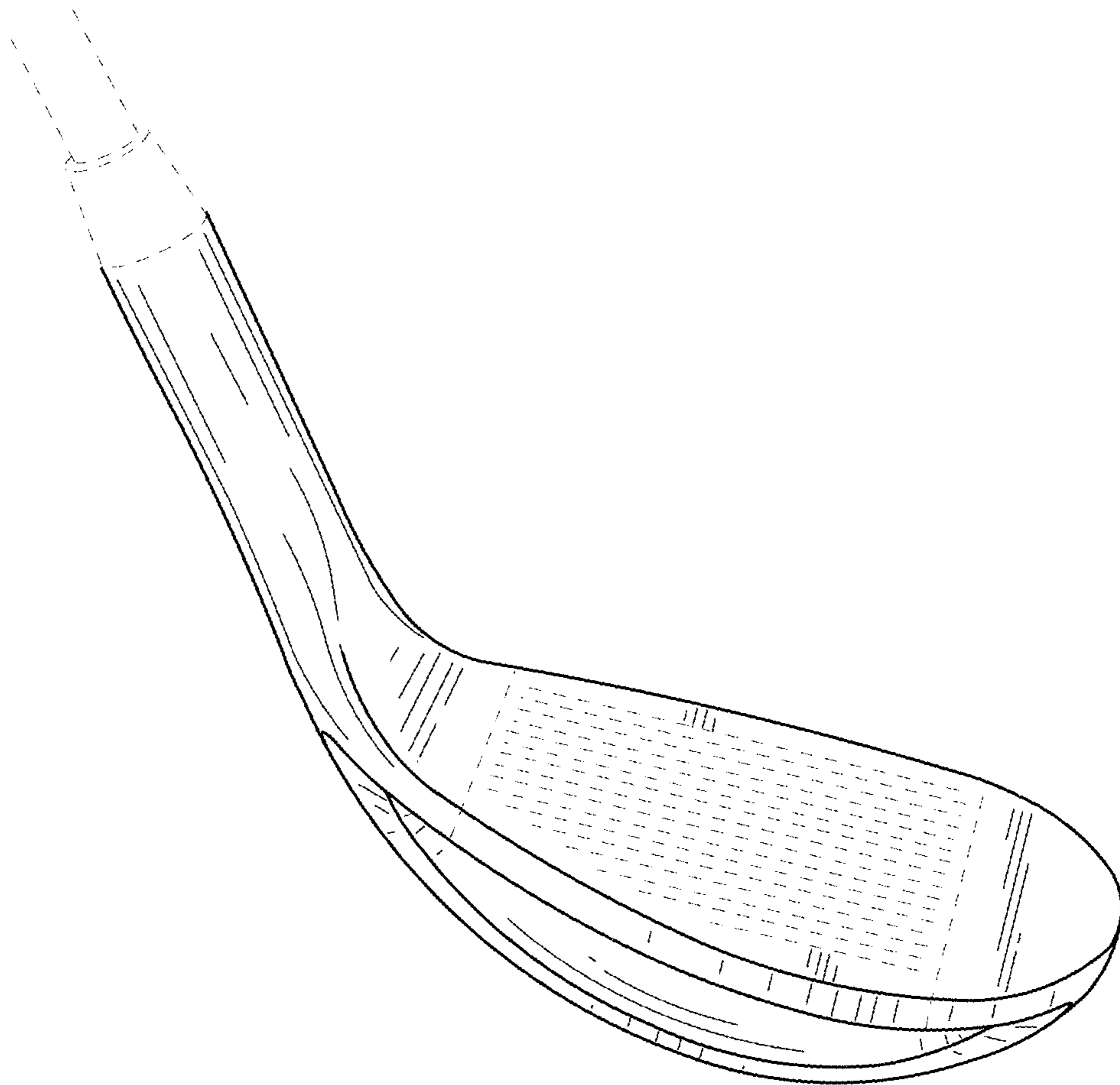


FIG. 2

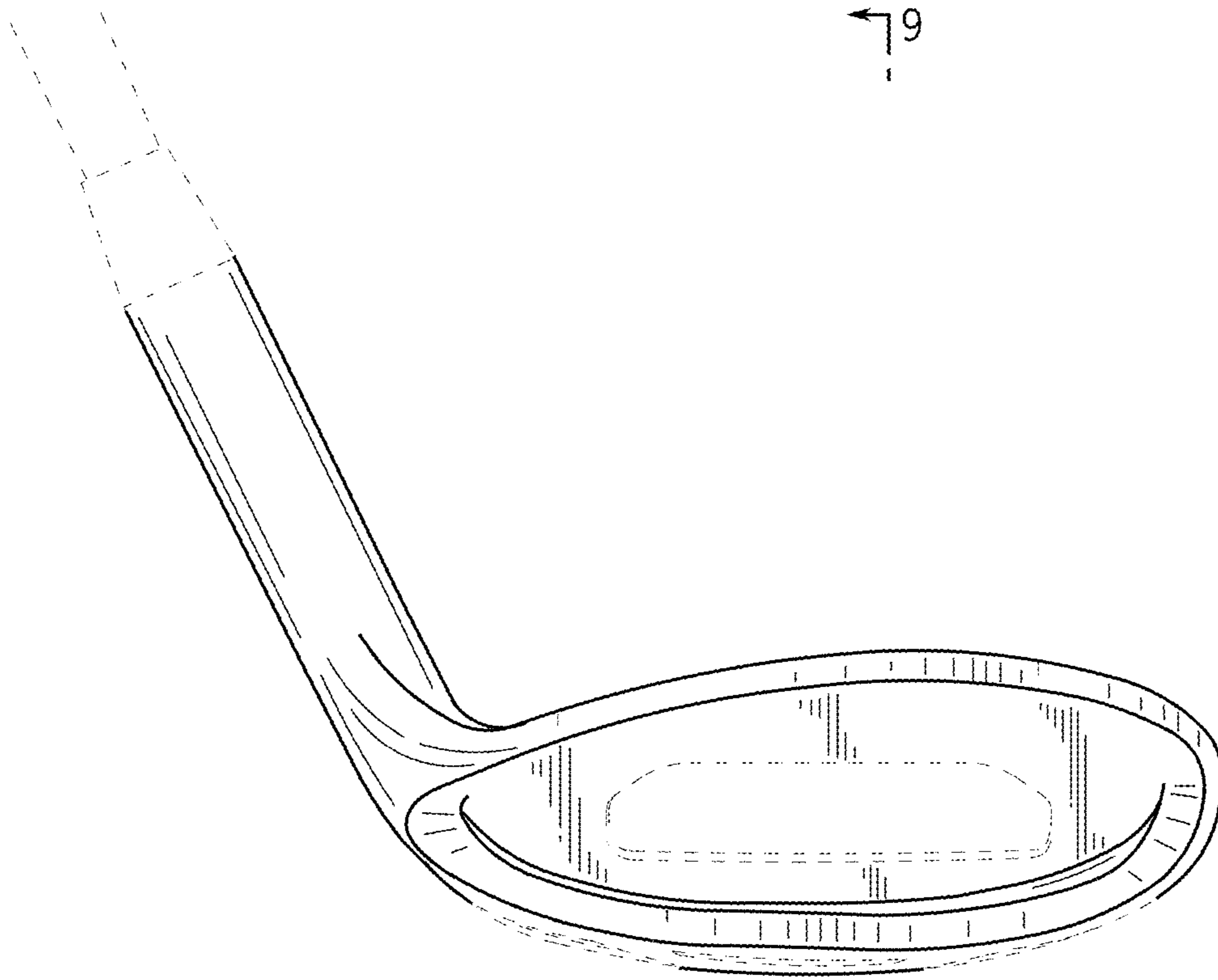


FIG. 3

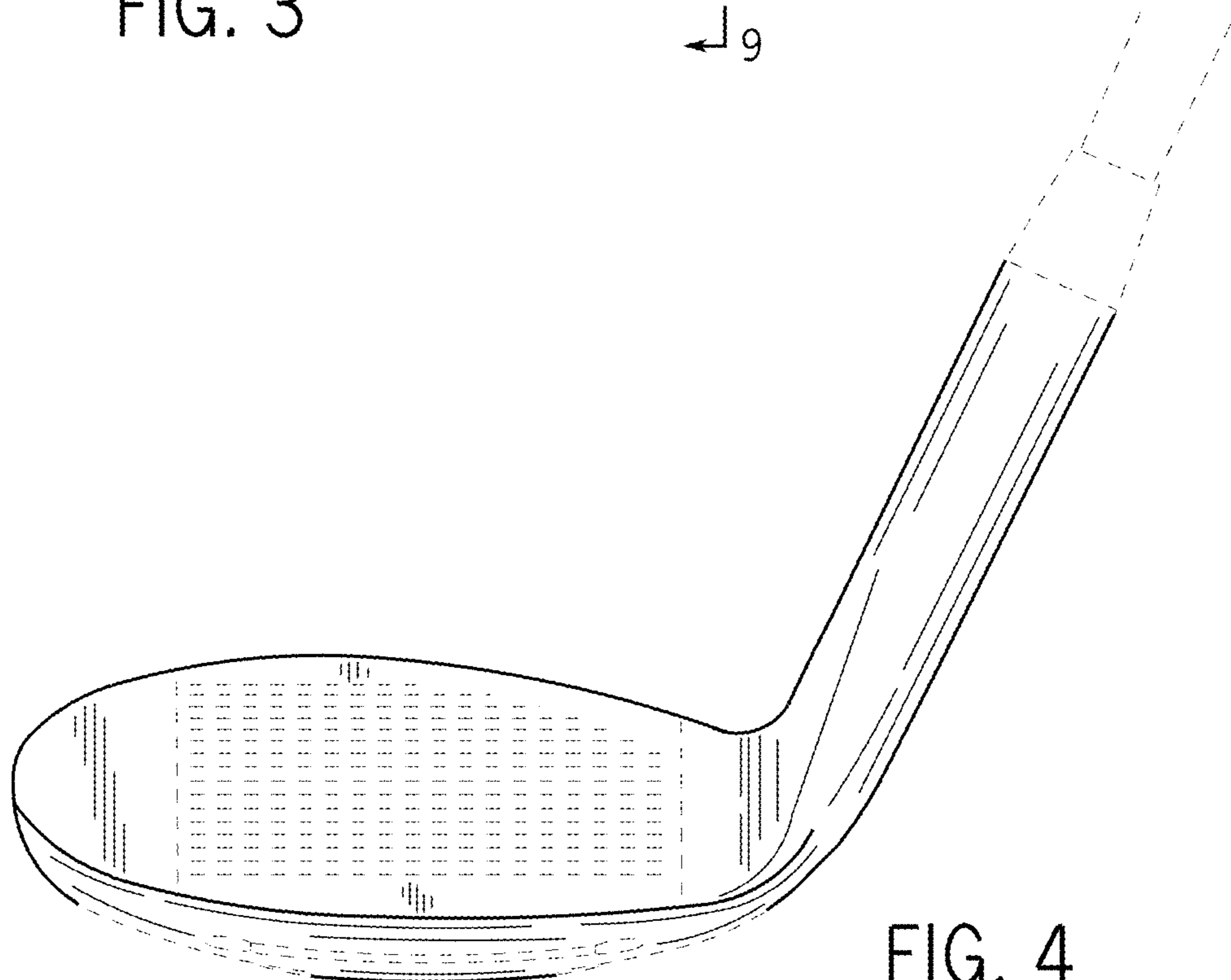
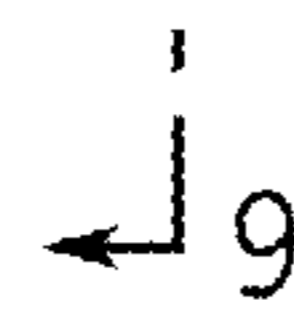


FIG. 4

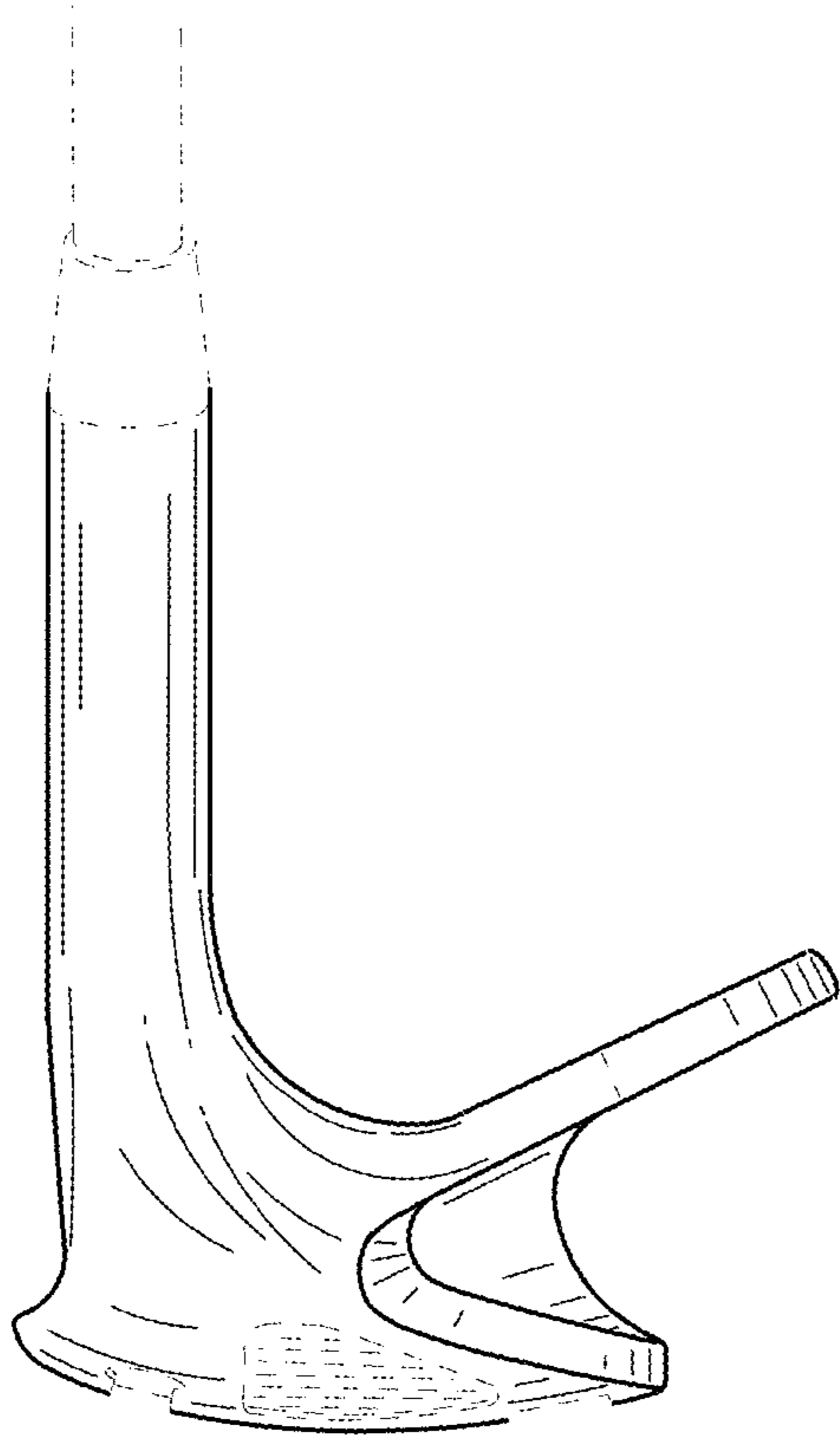


FIG. 5

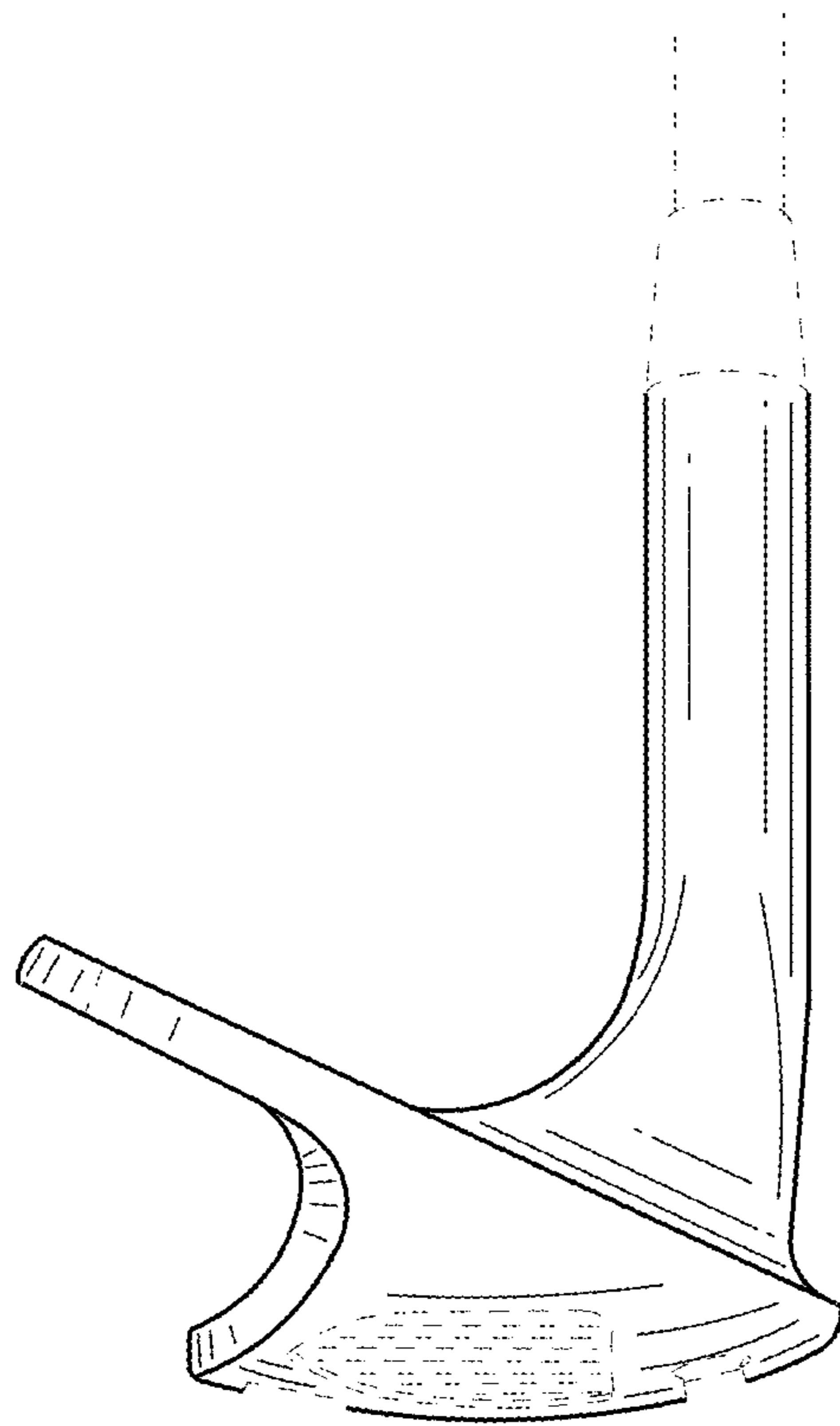


FIG. 6

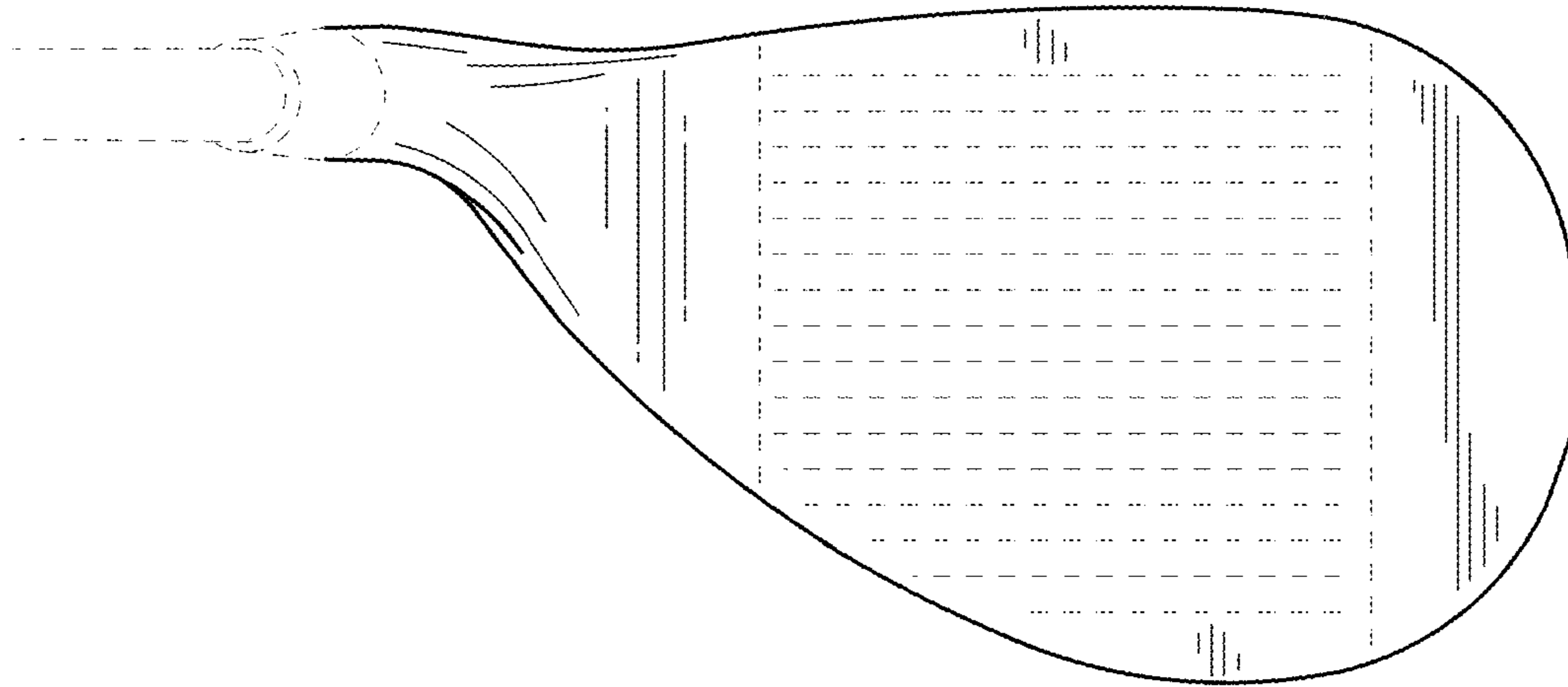


FIG. 7

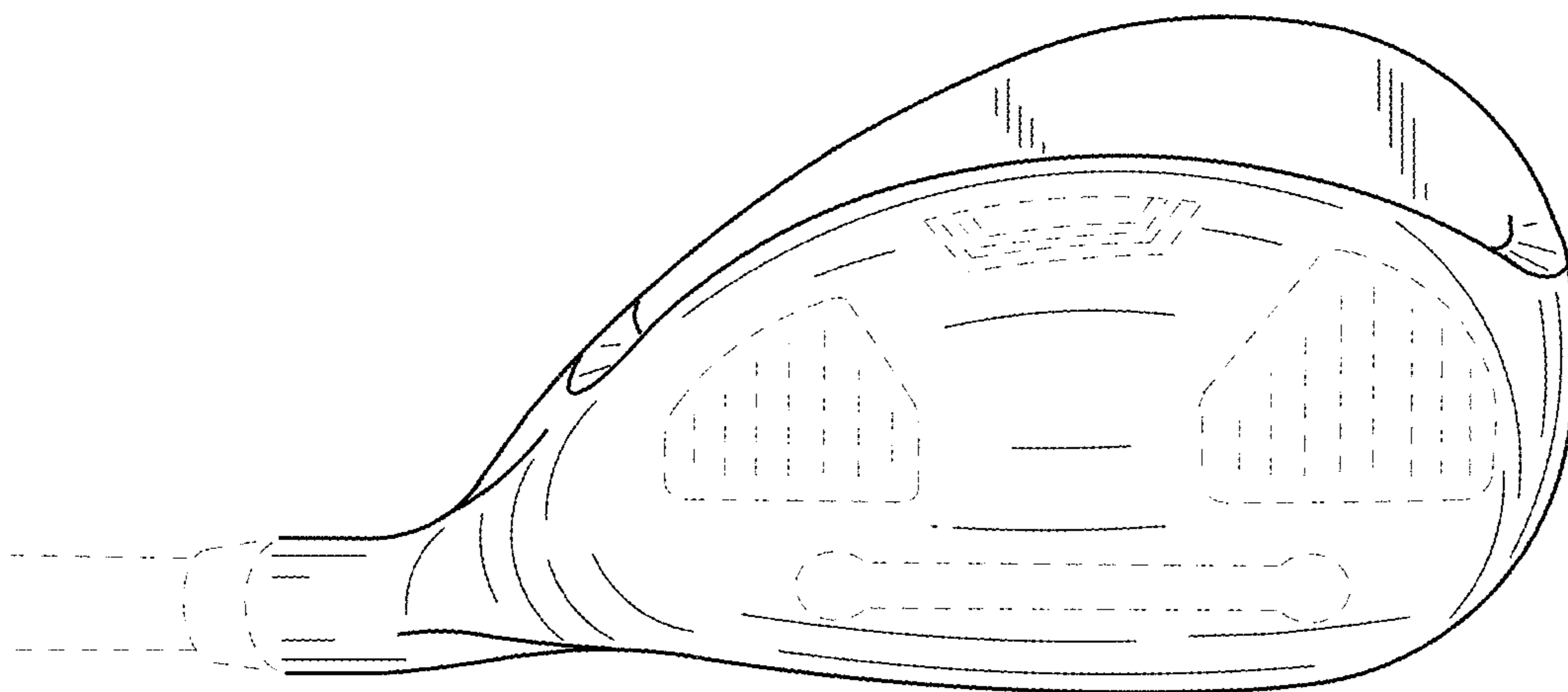


FIG. 8

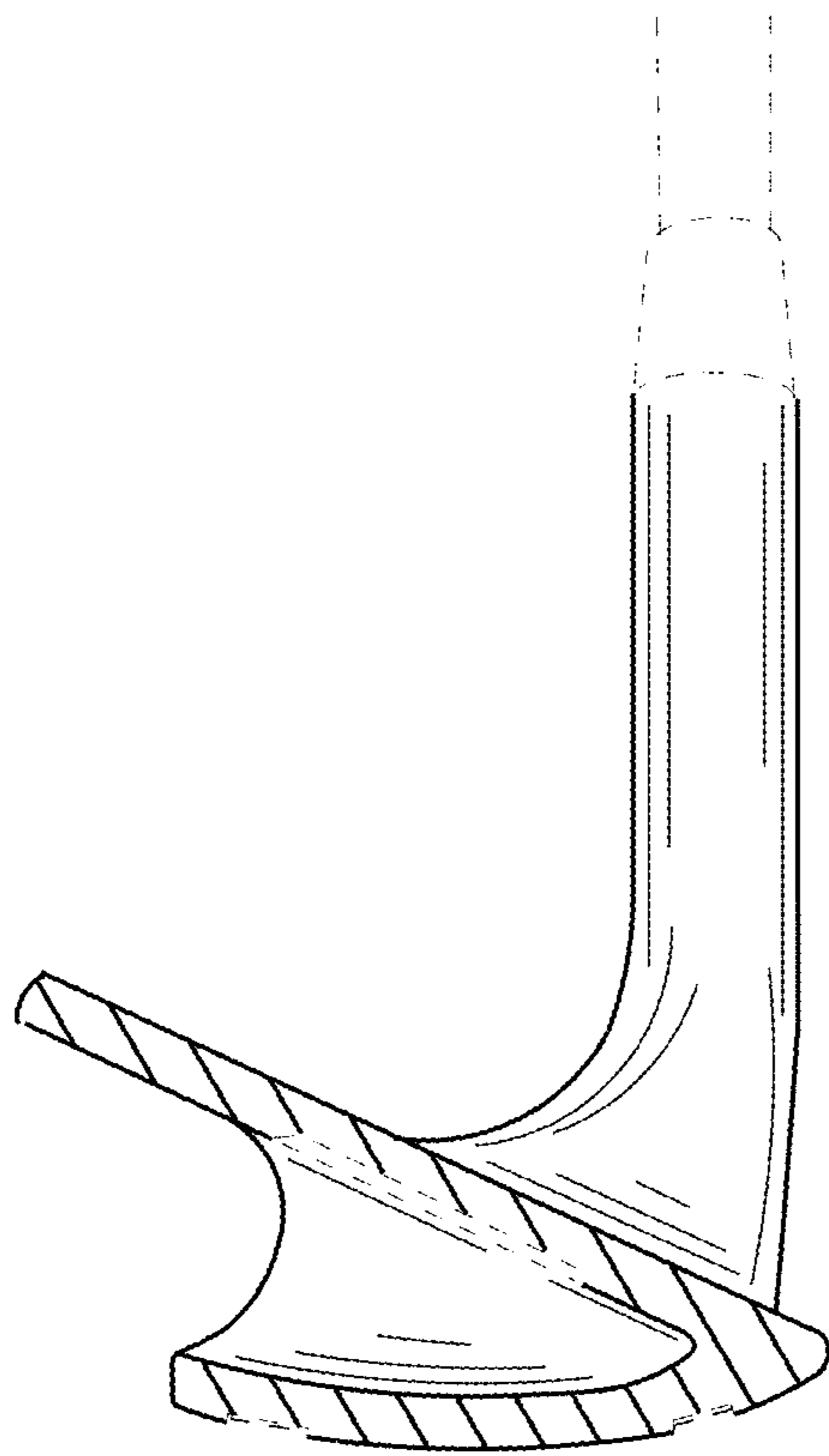


FIG. 9