



US00D779006S

(12) **United States Design Patent** (10) **Patent No.:** **US D779,006 S**  
**Abbott** (45) **Date of Patent:** **\*\* Feb. 14, 2017**

- (54) **PUTTER HEAD**
- (71) Applicant: **CALLAWAY GOLF COMPANY**,  
Carlsbad, CA (US)
- (72) Inventor: **Craig E. Abbott**, Vista, CA (US)
- (73) Assignee: **Callaway Golf Company**, Carlsbad,  
CA (US)
- (\*\*) Term: **15 Years**
- (21) Appl. No.: **29/544,619**
- (22) Filed: **Nov. 4, 2015**
- (51) **LOC (10) Cl.** ..... **21-02**
- (52) **U.S. Cl.**  
USPC ..... **D21/744**
- (58) **Field of Classification Search**  
USPC ..... D21/733-746, 759  
CPC ..... A63B 53/00; A63B 53/04; A63B 53/007;  
A63B 53/065; A63B 53/0487  
See application file for complete search history.

D625,374 S *	10/2010	Hettinger	.....	D21/743
D634,801 S *	3/2011	Rollinson	.....	D21/743
D661,754 S *	6/2012	Cameron	.....	D21/759
D730,465 S *	5/2015	Cameron	.....	D21/759
D763,382 S *	8/2016	Cardani	.....	D21/759
D765,198 S *	8/2016	Cardani	.....	D21/759
D769,994 S *	10/2016	Hunter	.....	D21/743

\* cited by examiner

*Primary Examiner* — Mitchell Siegel  
(74) *Attorney, Agent, or Firm* — Rebecca Hanovice;  
Michael Catania; Sonia Lari

(57) **CLAIM**

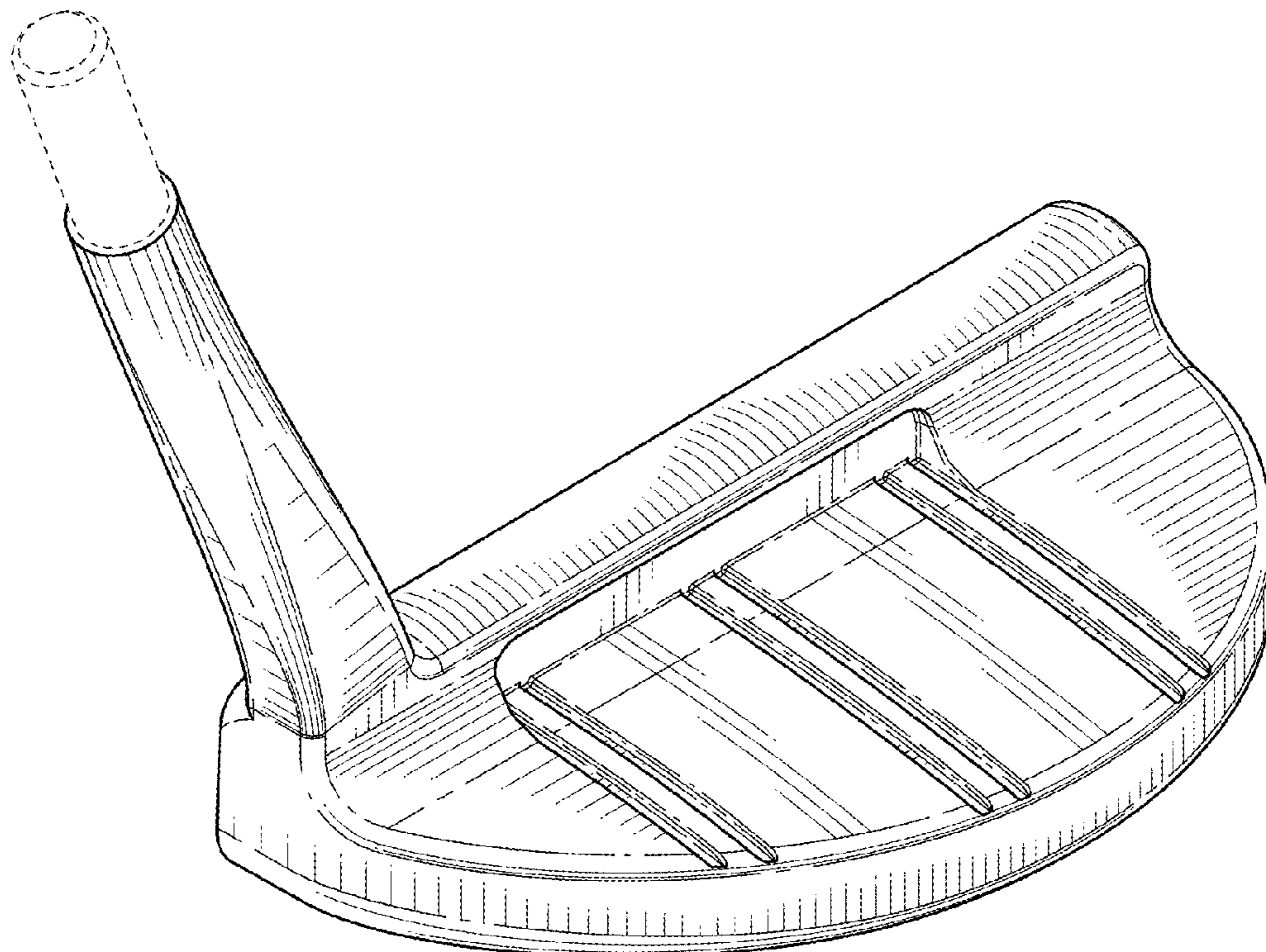
The ornamental design for a putter head, as shown and described.

**DESCRIPTION**

FIG. 1 is a rear perspective view of a the putter head as claimed herein;  
FIG. 2 is a rear elevational view thereof;  
FIG. 3 is a front elevational view thereof;  
FIG. 4 is a right side elevational view thereof;  
FIG. 5 is a left side elevational view thereof;  
FIG. 6 is a top plan view thereof; and,  
FIG. 7 is a bottom plan view thereof.  
The broken lines are included for the purpose of illustration and form no part of the claimed design.

**1 Claim, 4 Drawing Sheets**

- (56) **References Cited**  
U.S. PATENT DOCUMENTS  
D256,824 S \* 9/1980 Ward ..... D21/736  
D474,520 S \* 5/2003 Mills ..... D21/744  
D510,395 S \* 10/2005 Mirafflor ..... D21/759  
D532,468 S \* 11/2006 Hettinger ..... D21/743  
D590,463 S \* 4/2009 Hettinger ..... D21/743



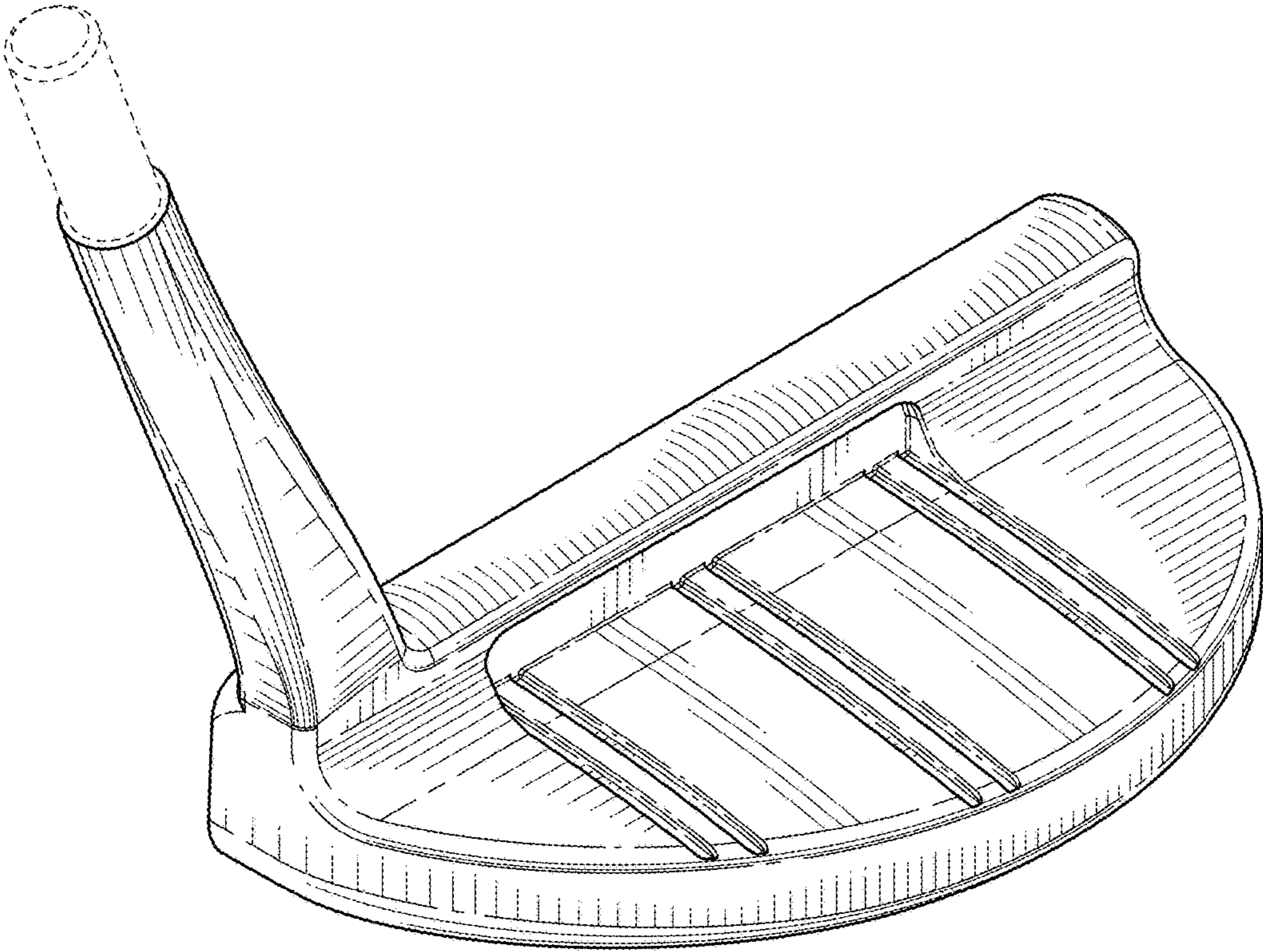


FIG. 1

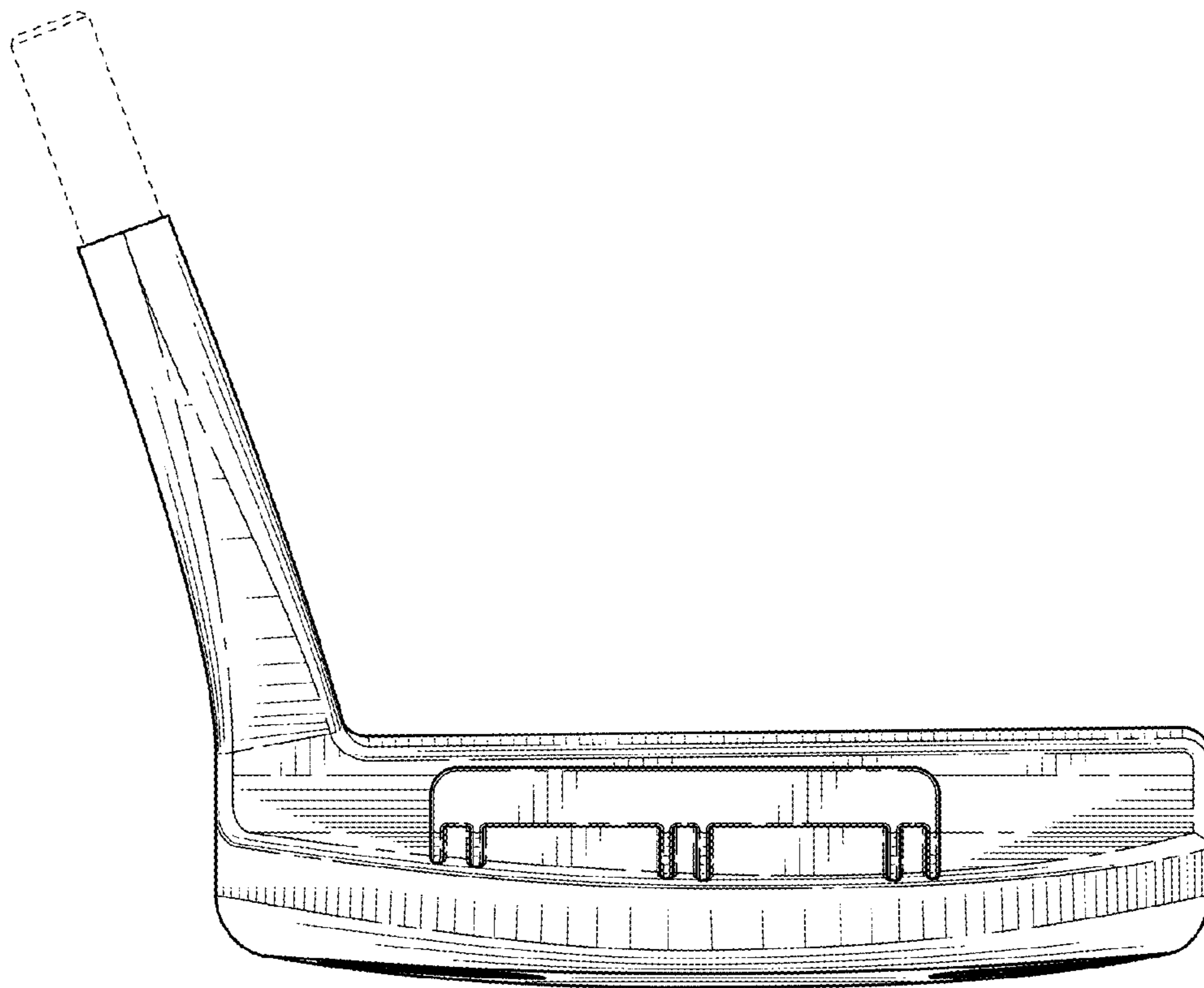


FIG. 2

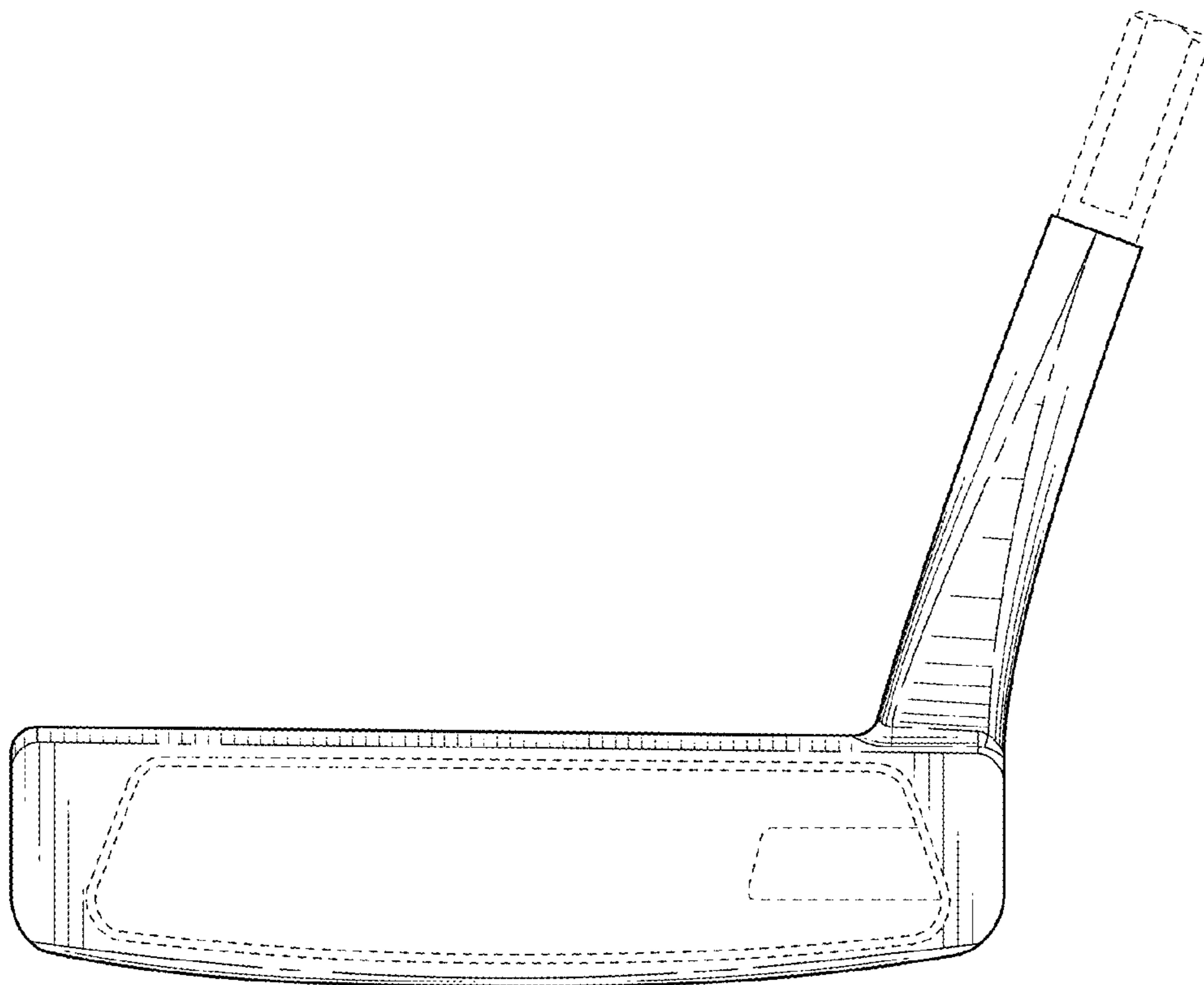


FIG. 3

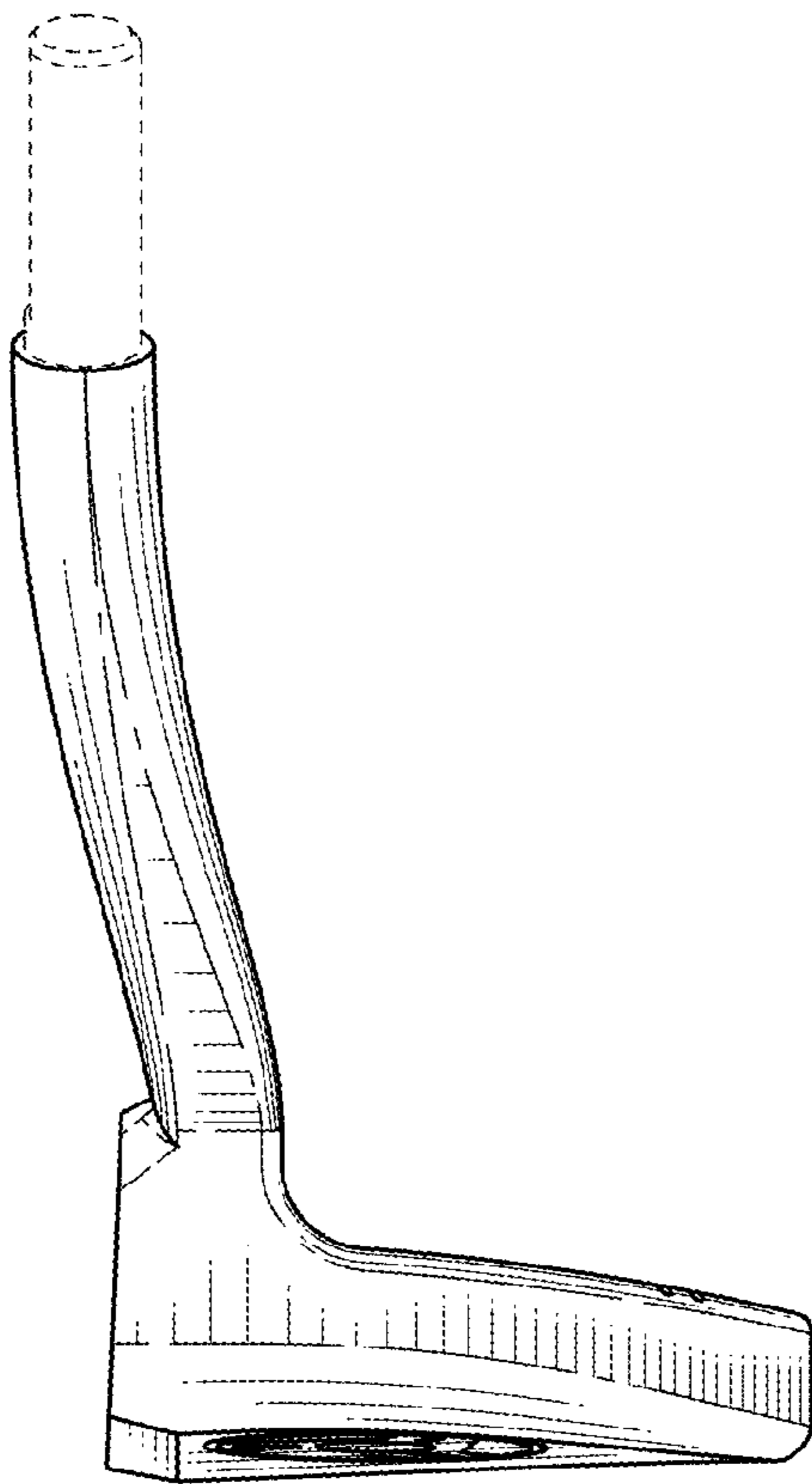


FIG. 4

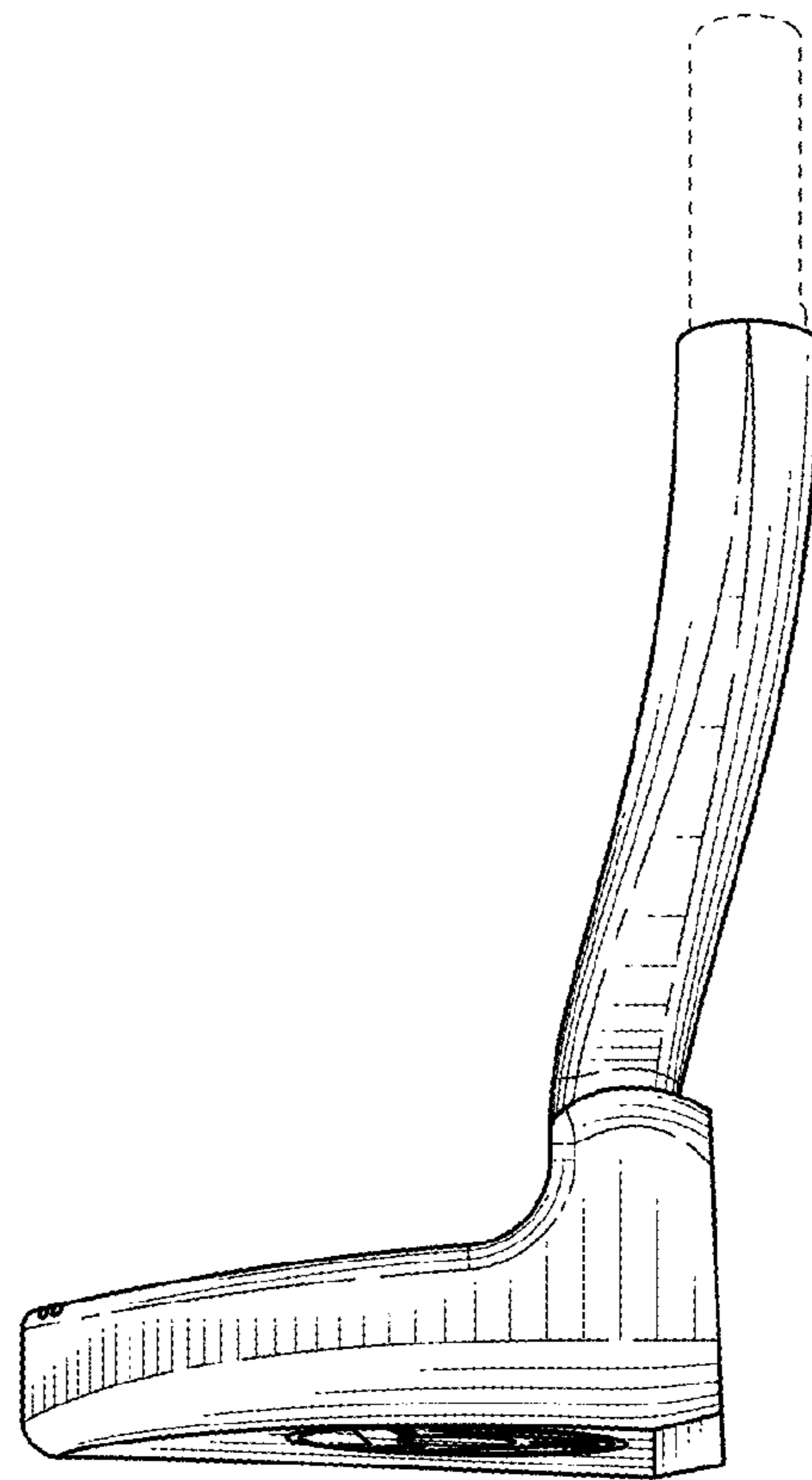


FIG. 5

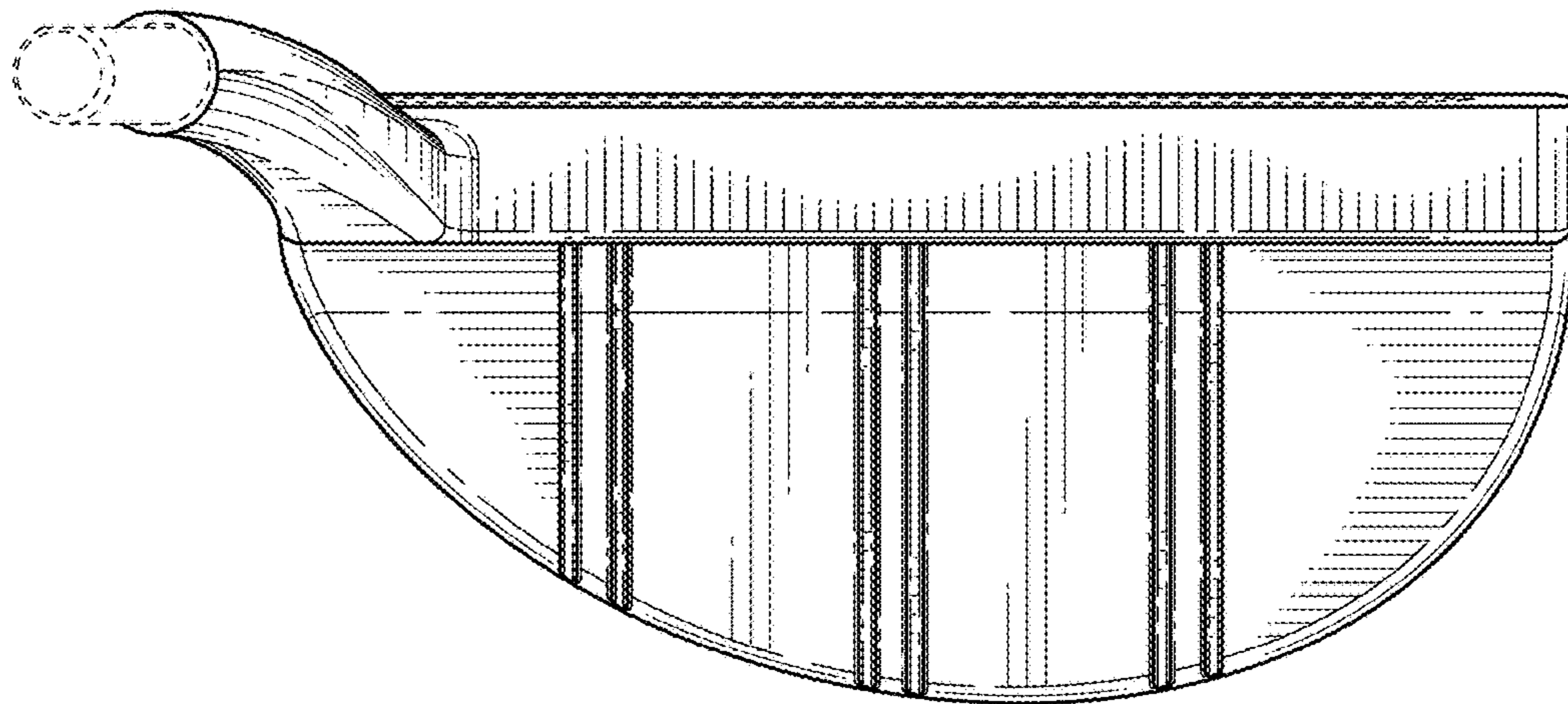


FIG. 6

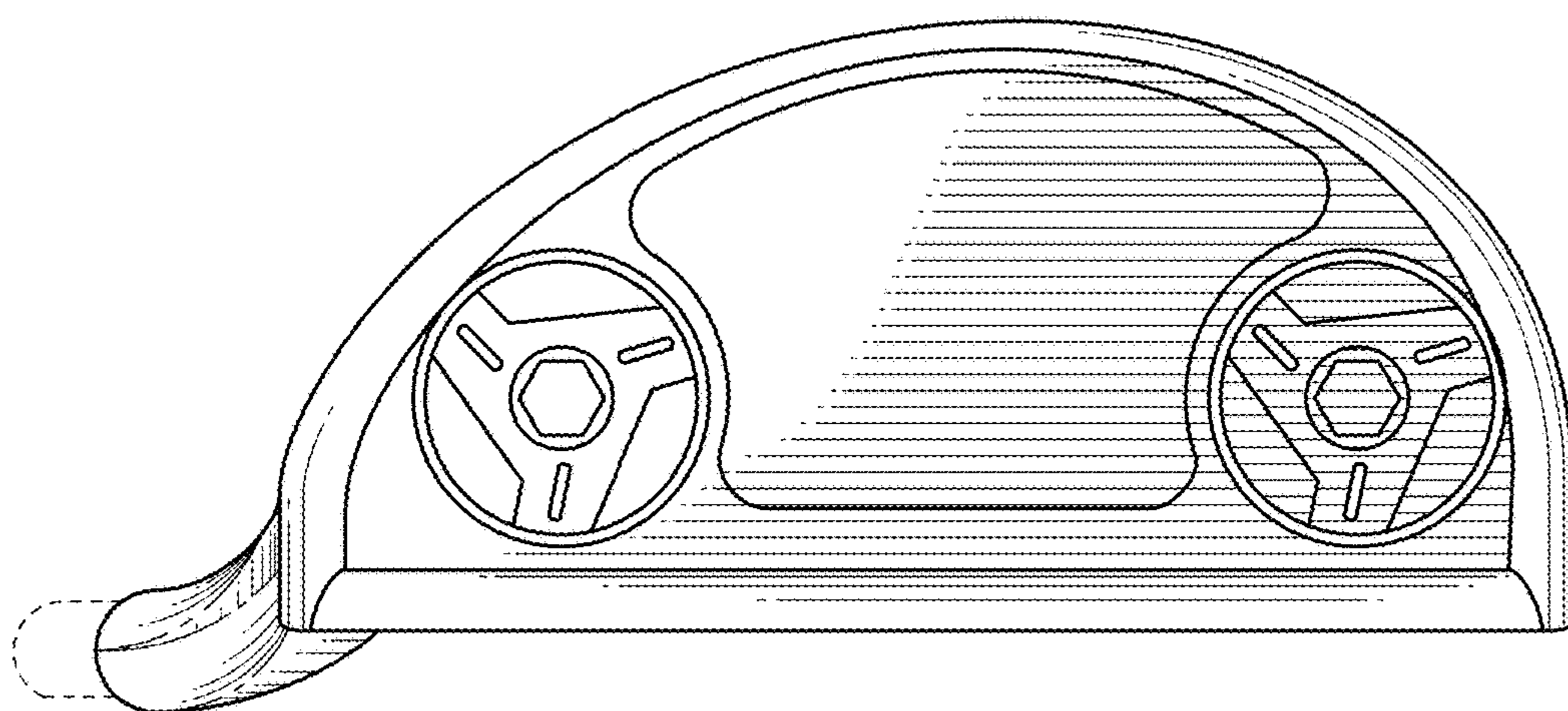


FIG. 7