



US00D779005S

(12) **United States Design Patent**  
**Foley**

(10) **Patent No.:** **US D779,005 S**

(45) **Date of Patent:** **\*\* Feb. 14, 2017**

- (54) **BALL TEE**
- (71) Applicant: **Scott Foley**, Fullerton, CA (US)
- (72) Inventor: **Scott Foley**, Fullerton, CA (US)
- (\*\*) Term: **14 Years**

- 6,692,383 B1 \* 2/2004 Heron ..... A63B 57/10  
473/398
- 6,849,008 B1 \* 2/2005 Wang ..... A63B 57/10  
473/401
- D629,474 S \* 12/2010 Keogh ..... D21/718
- D695,861 S \* 12/2013 MacKeen ..... D21/718

(Continued)

- (21) Appl. No.: **29/521,415**
- (22) Filed: **Mar. 23, 2015**
- (51) **LOC (10) Cl.** ..... **21-02**
- (52) **U.S. Cl.**  
USPC ..... **D21/718**
- (58) **Field of Classification Search**  
USPC ..... D21/715-721, 789-796  
CPC . A63B 57/0012; A63B 57/0032; A63B 57/10;  
A63B 57/12; A63B 57/13; A63B 57/15;  
A63B 57/16; A63B 57/18; A63B 57/19;  
A63B 57/20; A63B 57/203; A63B 57/207;  
A63B 57/30; A63B 57/35; A63B 57/353;  
A63B 69/3661

See application file for complete search history.

(56) **References Cited**

**U.S. PATENT DOCUMENTS**

- D188,950 S \* 10/1960 Miller ..... D21/718
- 3,203,700 A \* 8/1965 Antonious ..... A63B 57/10  
473/257
- D285,103 S \* 8/1986 Kurtz ..... D21/718
- D349,318 S \* 8/1994 Rubin ..... D21/718
- D351,444 S \* 10/1994 Hunter ..... D21/796
- 5,413,348 A \* 5/1995 Basso ..... A63B 57/10  
473/393
- D367,092 S \* 2/1996 Gustine ..... D21/718
- 5,759,118 A \* 6/1998 Sroczynski ..... A63B 57/10  
473/387
- D415,542 S \* 10/1999 Luther, Sr. .... D21/718
- 6,267,235 B1 \* 7/2001 Matias ..... A63B 57/10  
206/315.1
- 6,508,728 B1 \* 1/2003 Colletti ..... A63B 57/10  
473/387

**FOREIGN PATENT DOCUMENTS**

- GB 238599 A \* 8/1925 ..... A63B 57/10
- KR WO 2007083880 A1 \* 7/2007 ..... A63B 57/12
- WO WO 2013112127 A1 \* 8/2013 ..... A63B 57/10

*Primary Examiner* — Catherine Tuttle  
(74) *Attorney, Agent, or Firm* — The Law Office of Austin Bonderer, PC; Austin Bonderer

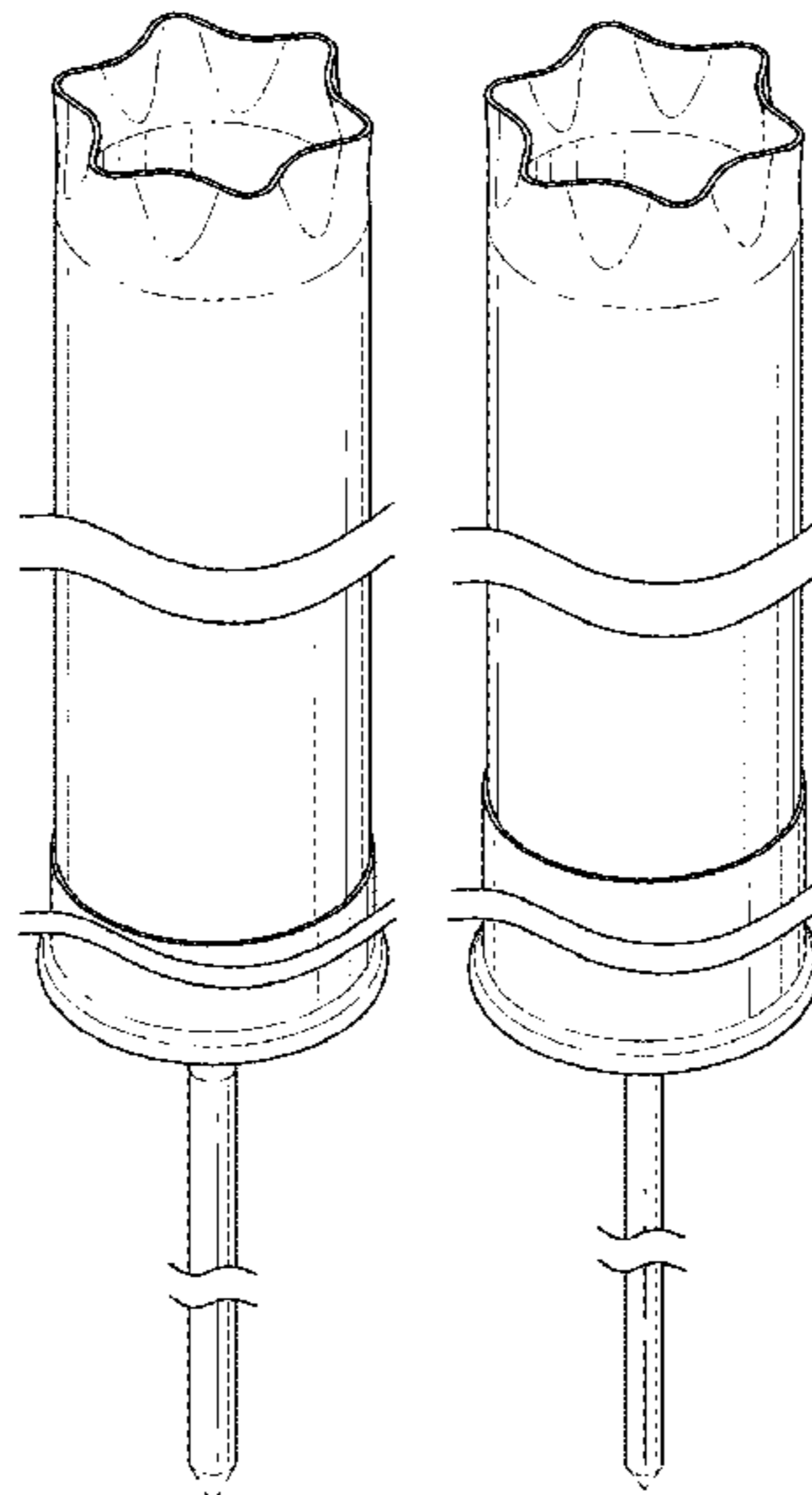
(57) **CLAIM**

The ornamental design for a ball tee, as shown and described.

**DESCRIPTION**

FIG. 1 is an upper perspective view of the ball tee showing my new design;  
 FIG. 2 is a lower perspective view thereof;  
 FIG. 3 is a side elevational view thereof;  
 FIG. 4 is another side elevational view thereof, rotated 90° from FIG. 3;  
 FIG. 5 is a top plan view thereof;  
 FIG. 6 is a bottom plan view thereof;  
 FIG. 7 is an upper perspective view showing a second embodiment of my new design;  
 FIG. 8 is a lower perspective view thereof;  
 FIG. 9 is a side elevational view thereof;  
 FIG. 10 is another side elevational view thereof, rotated 90° from FIG. 3;  
 FIG. 11 is a top plan view thereof; and,  
 FIG. 12 is a bottom plan view thereof.

**1 Claim, 4 Drawing Sheets**



(56)

**References Cited**

U.S. PATENT DOCUMENTS

2002/0123396	A1 *	9/2002	Joo .....	A63B 57/0031 473/393
2006/0217217	A1 *	9/2006	Mundziakiewicz ...	A63B 57/10 473/396
2006/0264272	A1 *	11/2006	Calderon .....	A63B 57/10 473/387
2007/0184919	A1 *	8/2007	Costantini .....	A63B 57/10 473/387
2008/0167143	A1 *	7/2008	Werner .....	A63B 57/10 473/401
2008/0188329	A1 *	8/2008	Chiou .....	A63B 57/10 473/402
2008/0274836	A1 *	11/2008	Lee .....	A63B 57/10 473/391
2012/0028735	A1 *	2/2012	Klein .....	A63B 57/10 473/398
2012/0046121	A1 *	2/2012	Schubert .....	A63B 57/10 473/278

\* cited by examiner

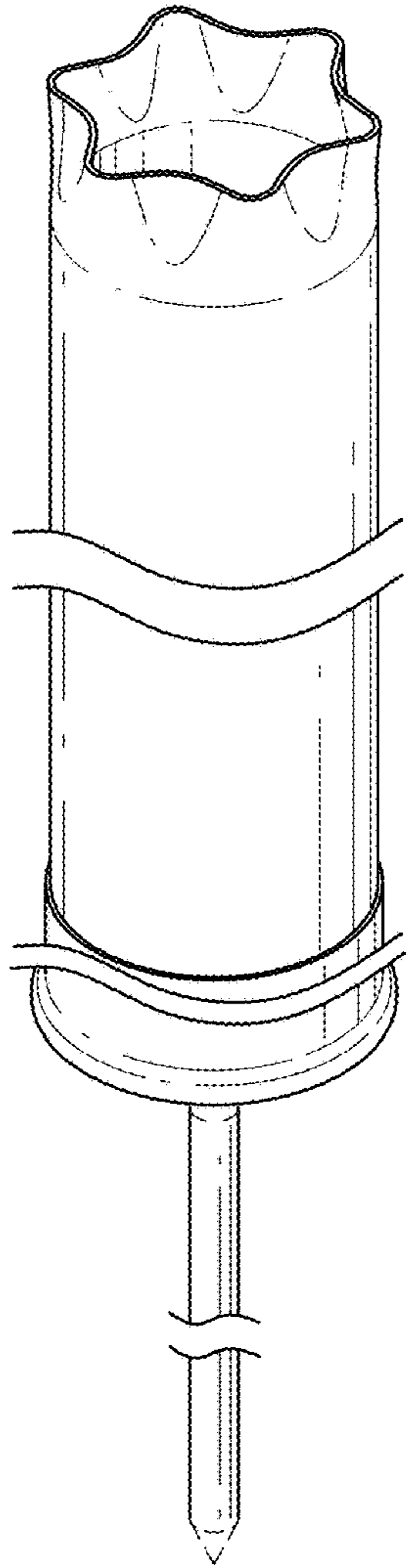


FIG. 1

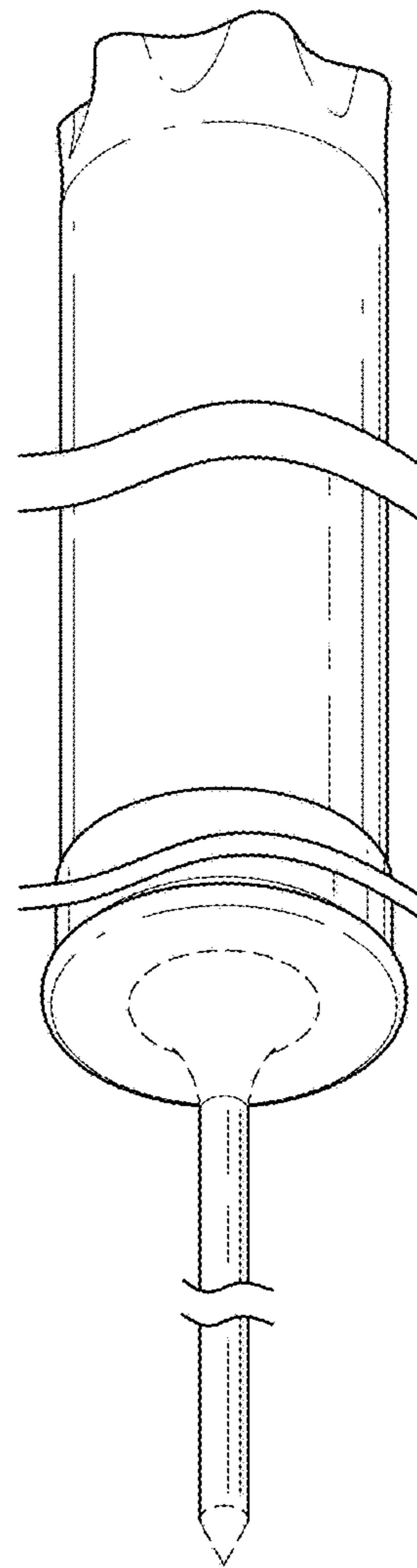


FIG. 2

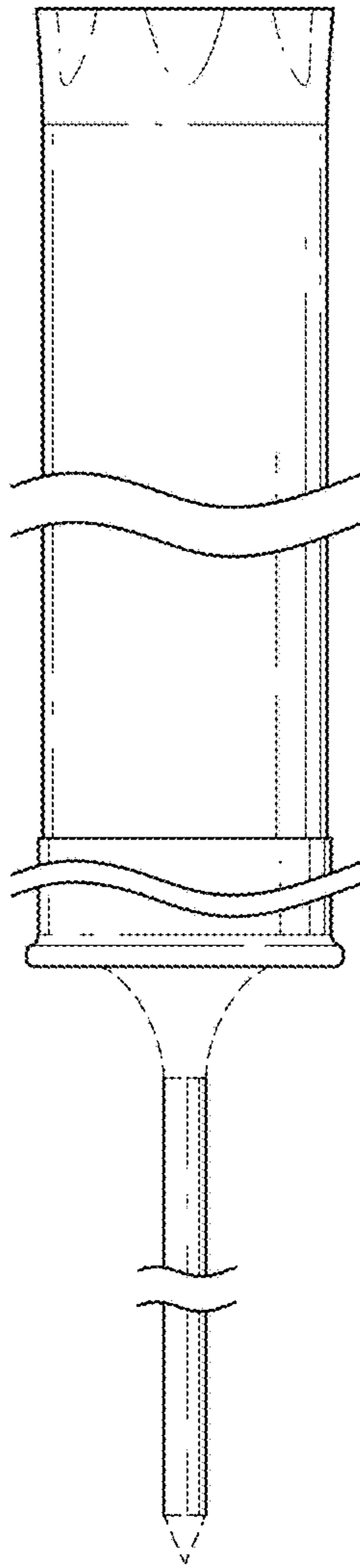


FIG. 3

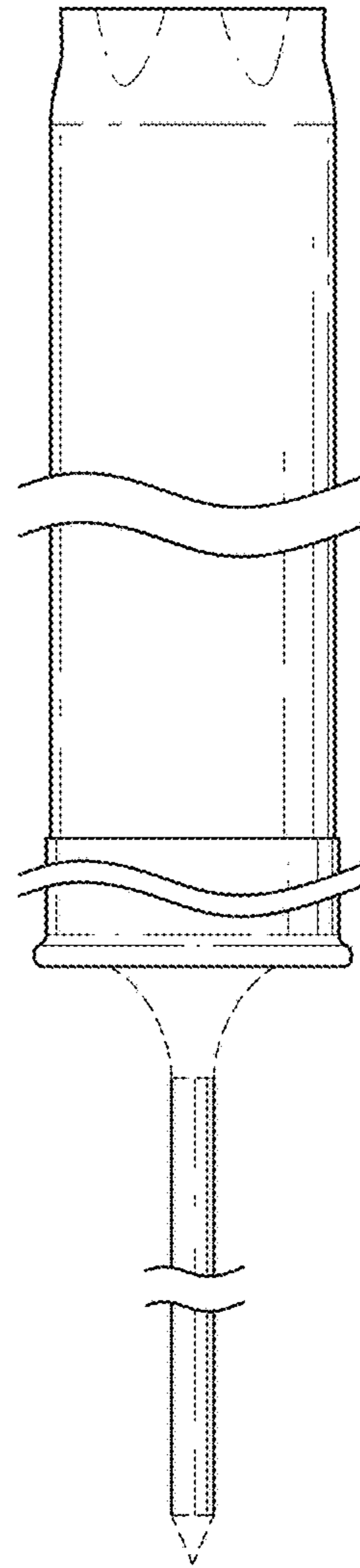


FIG. 4

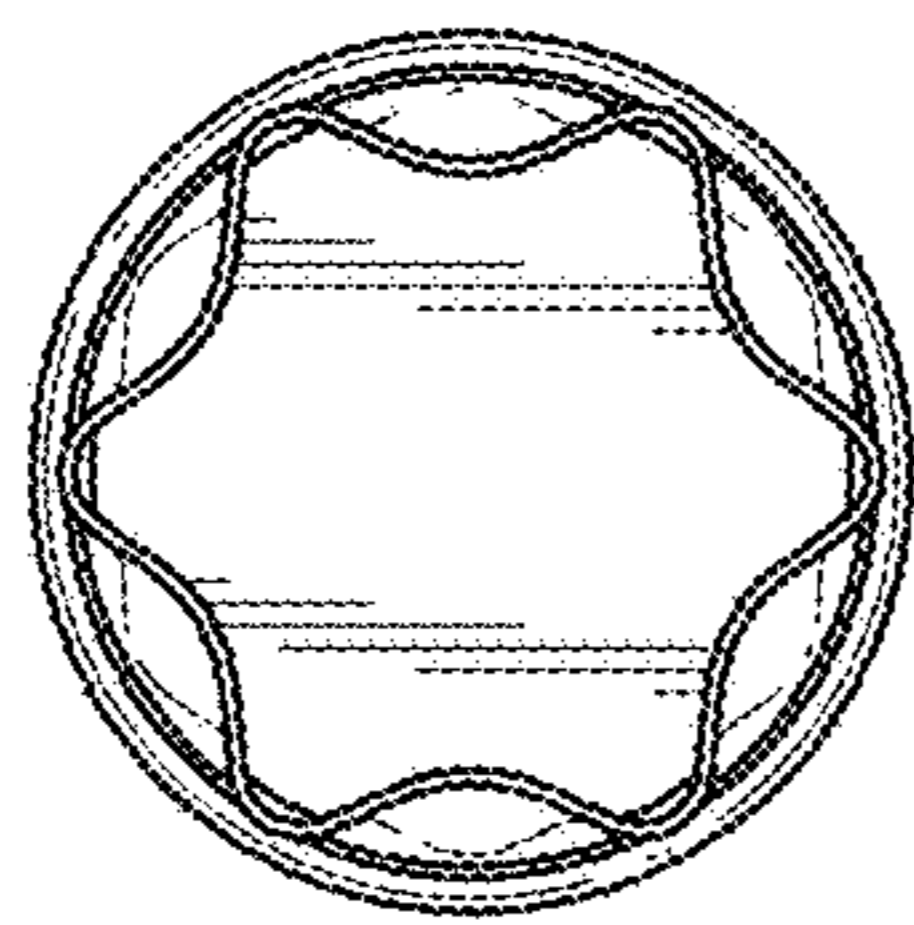


FIG. 5

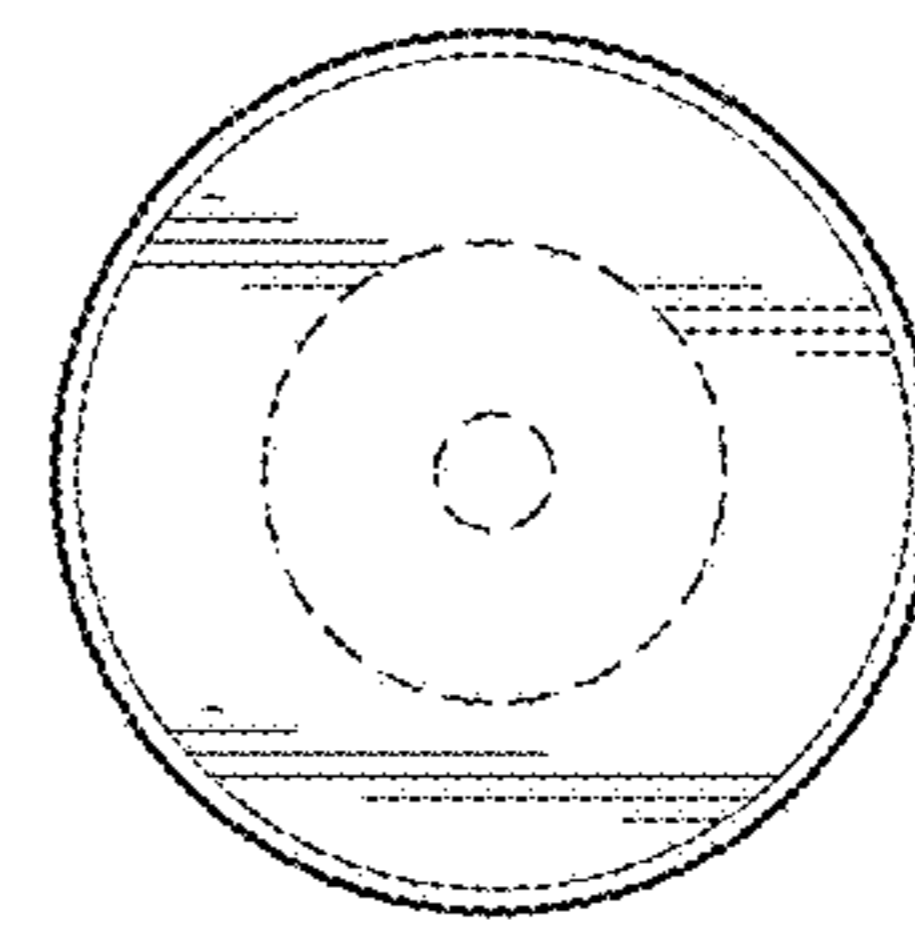


FIG. 6

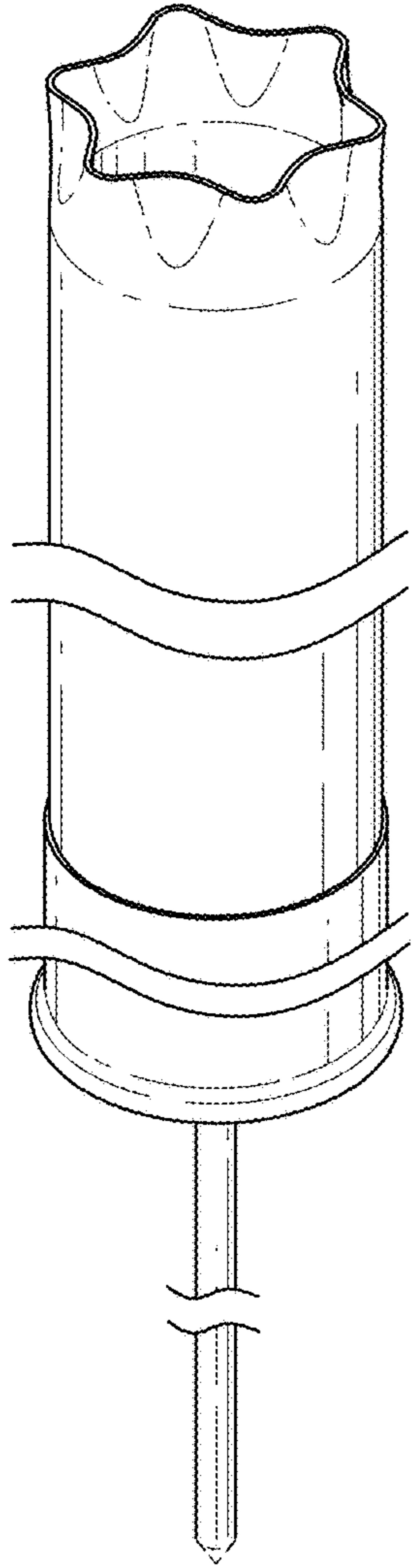


FIG. 7

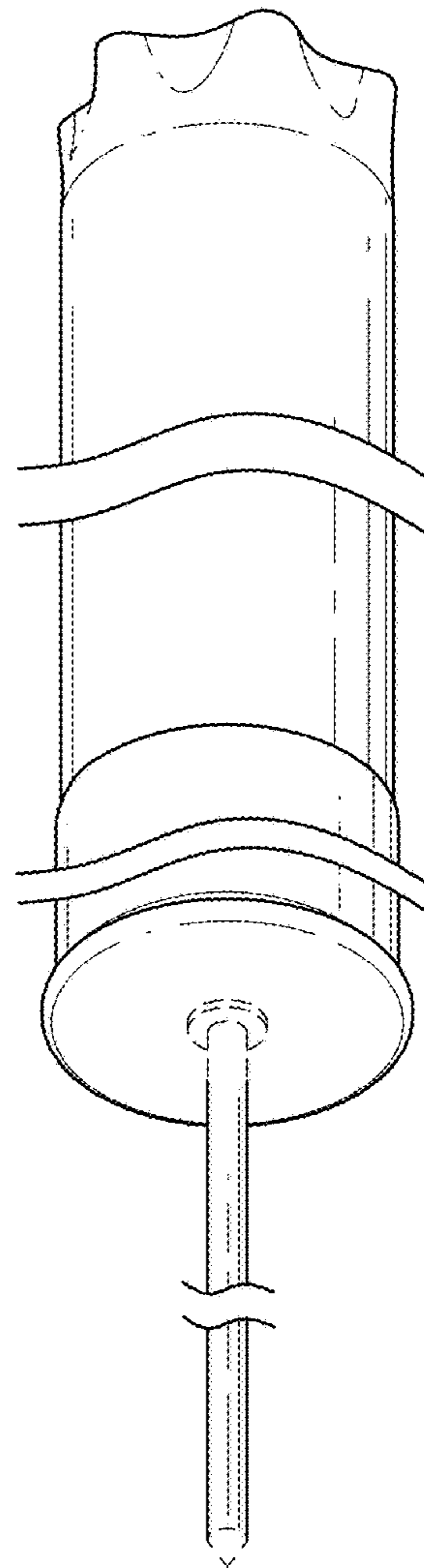


FIG. 8

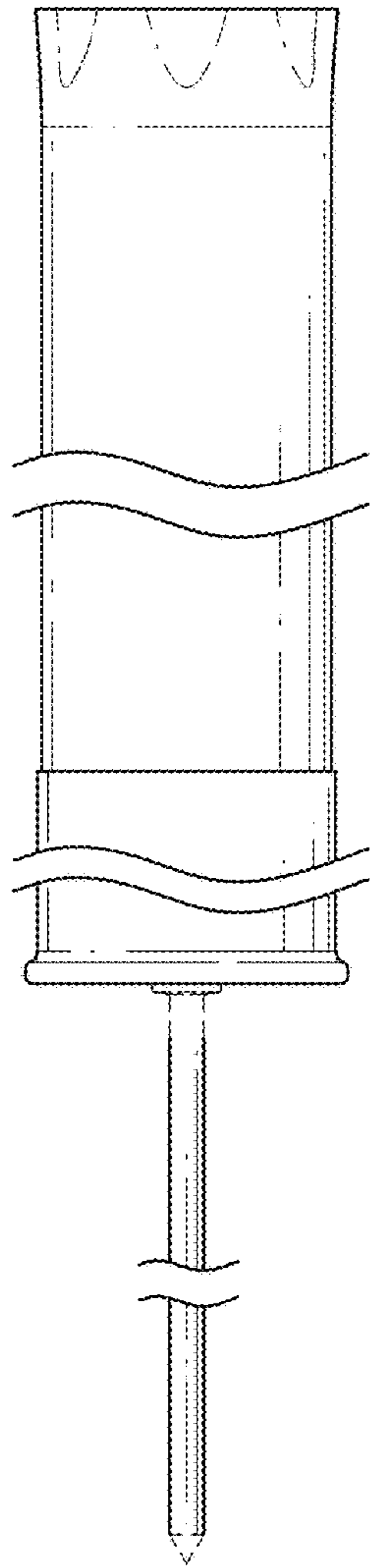


FIG. 9

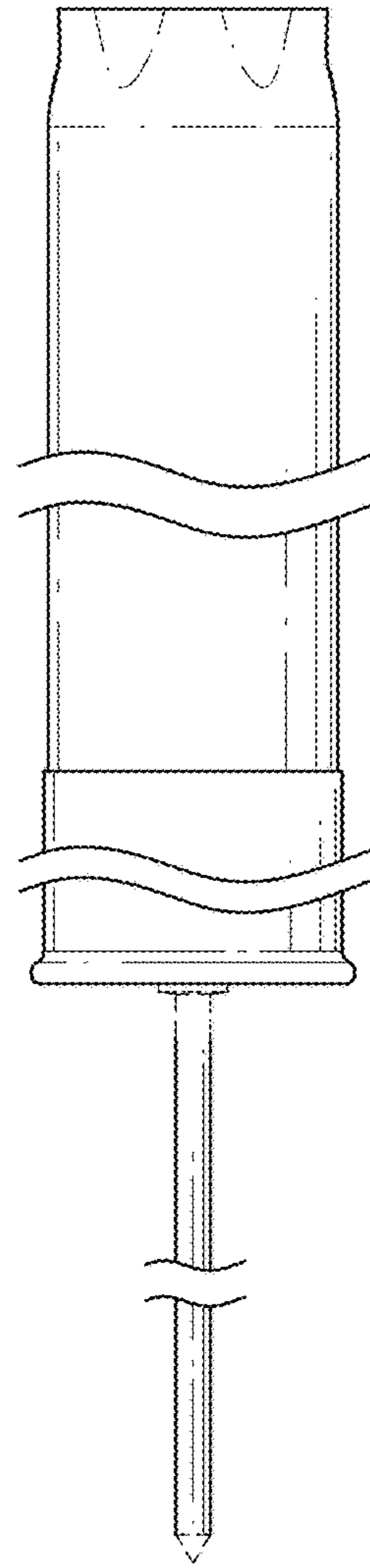


FIG. 10

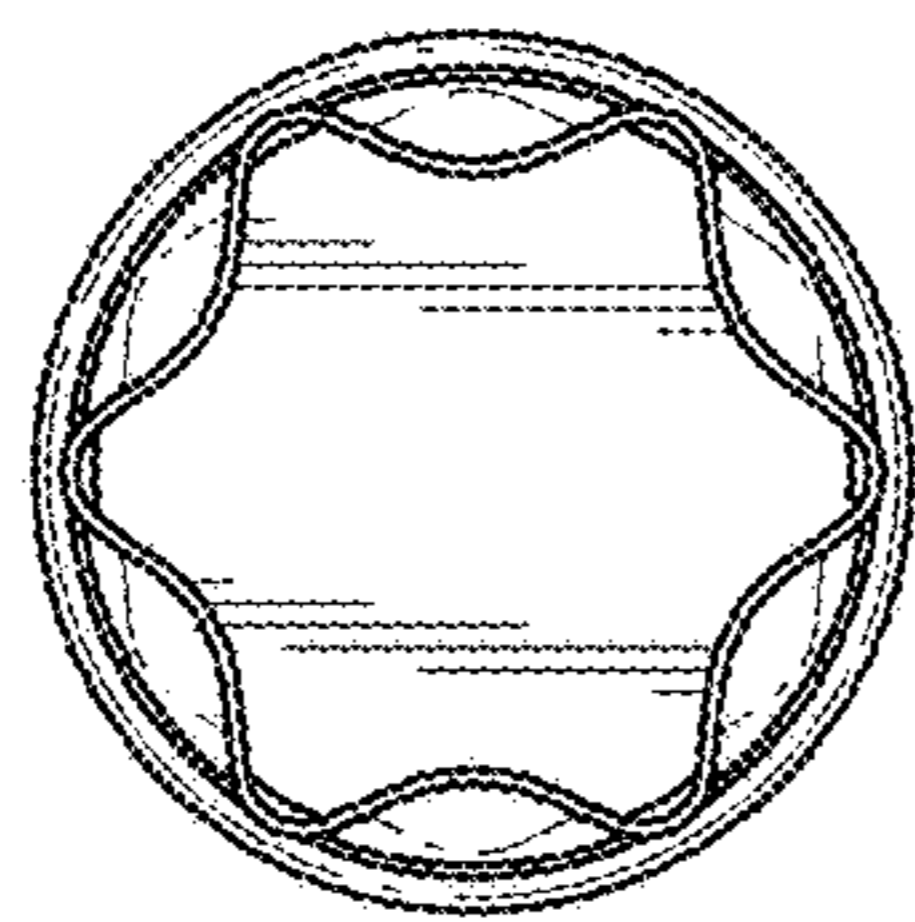


FIG. 11

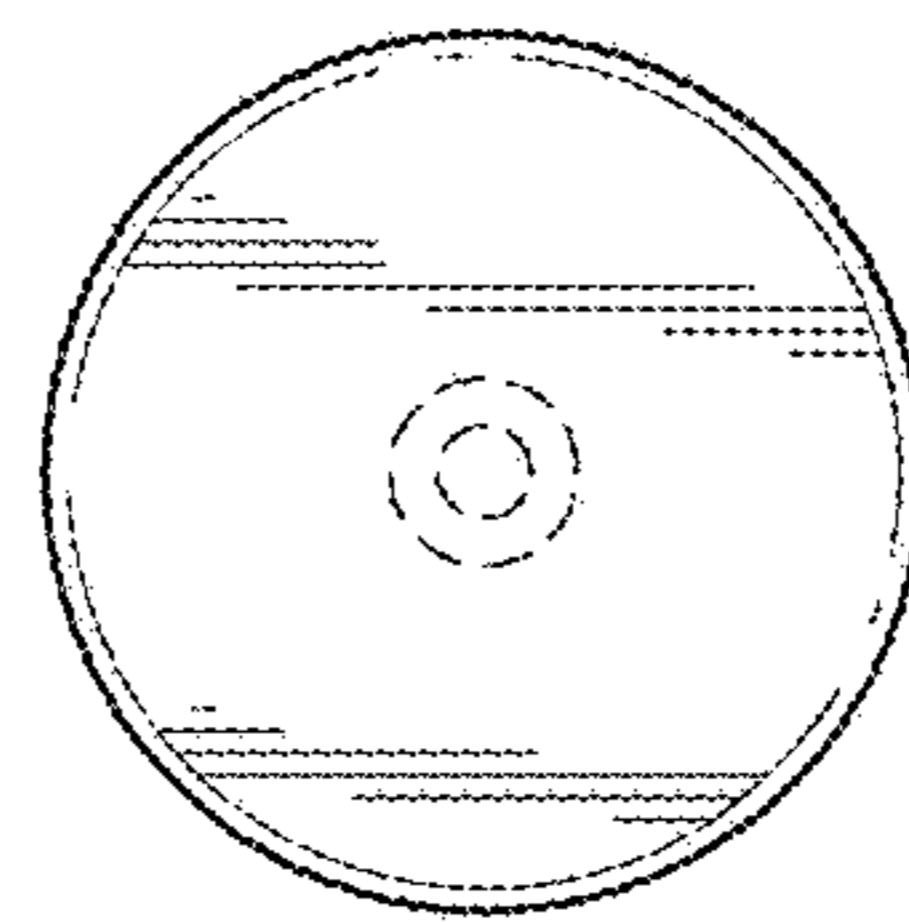


FIG. 12