



US00D779000S

(12) **United States Design Patent** (10) **Patent No.:** **US D779,000 S**
Olson (45) **Date of Patent:** **** Feb. 14, 2017**

(54) **BALANCE BOARD**
(71) Applicant: **Jeffrey Olson**, San Jose, CA (US)
(72) Inventor: **Jeffrey Olson**, San Jose, CA (US)
(**) Term: **14 Years**
(21) Appl. No.: **29/524,611**
(22) Filed: **Apr. 22, 2015**
(51) **LOC (10) Cl.** **21-02**
(52) **U.S. Cl.**
USPC **D21/686**
(58) **Field of Classification Search**
USPC D21/797, 694, 671, 686, 698, 699, 680,
D21/685, 692, 687, 689, 318, 688, 412,
D21/333, 683, 798; D8/330, 1, 16;
482/142, 52, 51, 30, 74, 91, 140, 25, 94,
482/122; D19/37, 64, 59; D9/624, 629;
D14/417, 496; 15/104.93, 105, 118,
15/229.11, 208; D25/139, 155, 62,
D25/65; D6/349, 582, 598, 335, 350, 583,
D6/588, 585; 99/472, 467; D34/23, 1;
297/461, 223, 423.41; 269/289 R, 13, 15,
269/14; 206/501, 256, 272.8, 308.2, 330,
206/60, 213; 248/678; D7/698, 699, 629,
D7/388; 220/4.26; 217/3 R; D24/190,
D24/191, 192, 167; D17/99; D3/294,
D3/282, 905; D30/118; 182/33; D99/17,
D99/1; 451/534, 539; 446/117, 69;
473/278
CPC A63B 22/001; A63B 22/0664; A63B
23/0211; A63B 21/225; A63B 2022/067;
A63B 21/4035; A63B 2210/50; A63B
22/0015; A63B 2208/0204; A63B
21/4047; A63B 2208/0233; A63B
21/0552; A63B 22/0056
See application file for complete search history.

D370,949 S * 6/1996 Furner D21/671
5,591,105 A * 1/1997 Dalebout A63B 23/0458
248/188.2
6,132,338 A * 10/2000 Shifferaw A63B 5/08
482/30
D513,774 S * 1/2006 Nudo D21/698
7,160,229 B2 * 1/2007 Park A63B 23/0458
482/52
D558,290 S * 12/2007 Findling D21/765
D564,604 S * 3/2008 Mikail D21/688
D585,098 S * 1/2009 Rauwerdink D21/686
D604,374 S * 11/2009 Bizzell D21/688
D630,687 S * 1/2011 Meinel D21/662
D631,276 S * 1/2011 White D6/582

OTHER PUBLICATIONS

PonoOla Board by PonoOla dated no date given. Found online [Sep. 15, 2016] <https://ponoola.com/>.*

Primary Examiner — Robert M Spear
Assistant Examiner — Ryan Harvey
(74) *Attorney, Agent, or Firm* — Gazdzinski & Associates, PC

(57) **CLAIM**

The ornamental design for a balance board, as shown and described.

DESCRIPTION

FIG. 1 is an isometric view of a balance board of the present invention, showing my new design;
FIG. 2 is a top view of a balance board of the present invention, showing my new design;
FIG. 3 is a front view of a balance board of the present invention, showing my new design;
FIG. 4 is a right side view of a balance board of the present invention, showing my new design;
FIG. 5 is an isometric view of the board component, with the support ball components shown removed for clarity of disclosure, of the present invention, showing my new design;

(Continued)

(56) **References Cited**
U.S. PATENT DOCUMENTS

5,441,466 A * 8/1995 Piaget A63B 21/0085
297/423.46

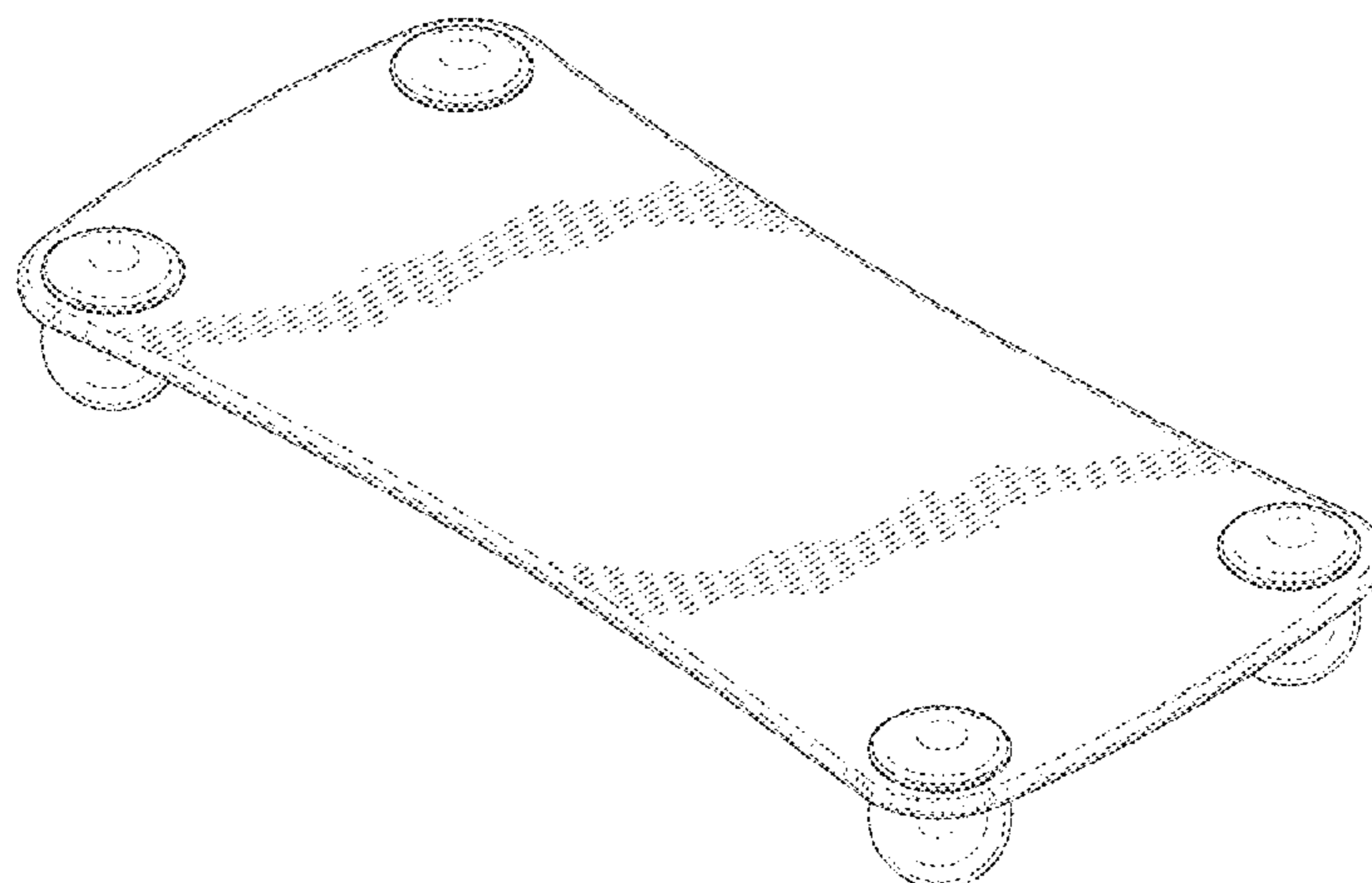


FIG. 6 is a top view of the board component thereof, of the present invention, showing my new design;
FIG. 7 is a front view of the board component thereof, of the present invention, showing my new design;
FIG. 8 is a right side view of the board component thereof, of the present invention, showing my new design;
FIG. 9 is an isometric view of one of the support ball components, with the board component shown removed for clarity of disclosure, of the present invention, showing my new design;
FIG. 10 is a front view of one of the support ball components thereof, of the present invention, showing my new design;
and,
FIG. 11 is a top view of one of the support ball components thereof, of the present invention, showing my new design.

1 Claim, 8 Drawing Sheets

(56)

References Cited

U.S. PATENT DOCUMENTS

D643,475	S *	8/2011	Stewart	D21/333
D681,138	S *	4/2013	Hodgkins	D21/671
D717,381	S *	11/2014	Orenstein	D21/671
8,944,979	B2 *	2/2015	Kulzer	A63B 26/003 482/142
2009/0197748	A1 *	8/2009	Smith	A63B 21/0004 482/146
2010/0029443	A1 *	2/2010	Kim	A63B 23/0458 482/52
2015/0133280	A1 *	5/2015	Maximillian	A63B 22/18 482/142

* cited by examiner

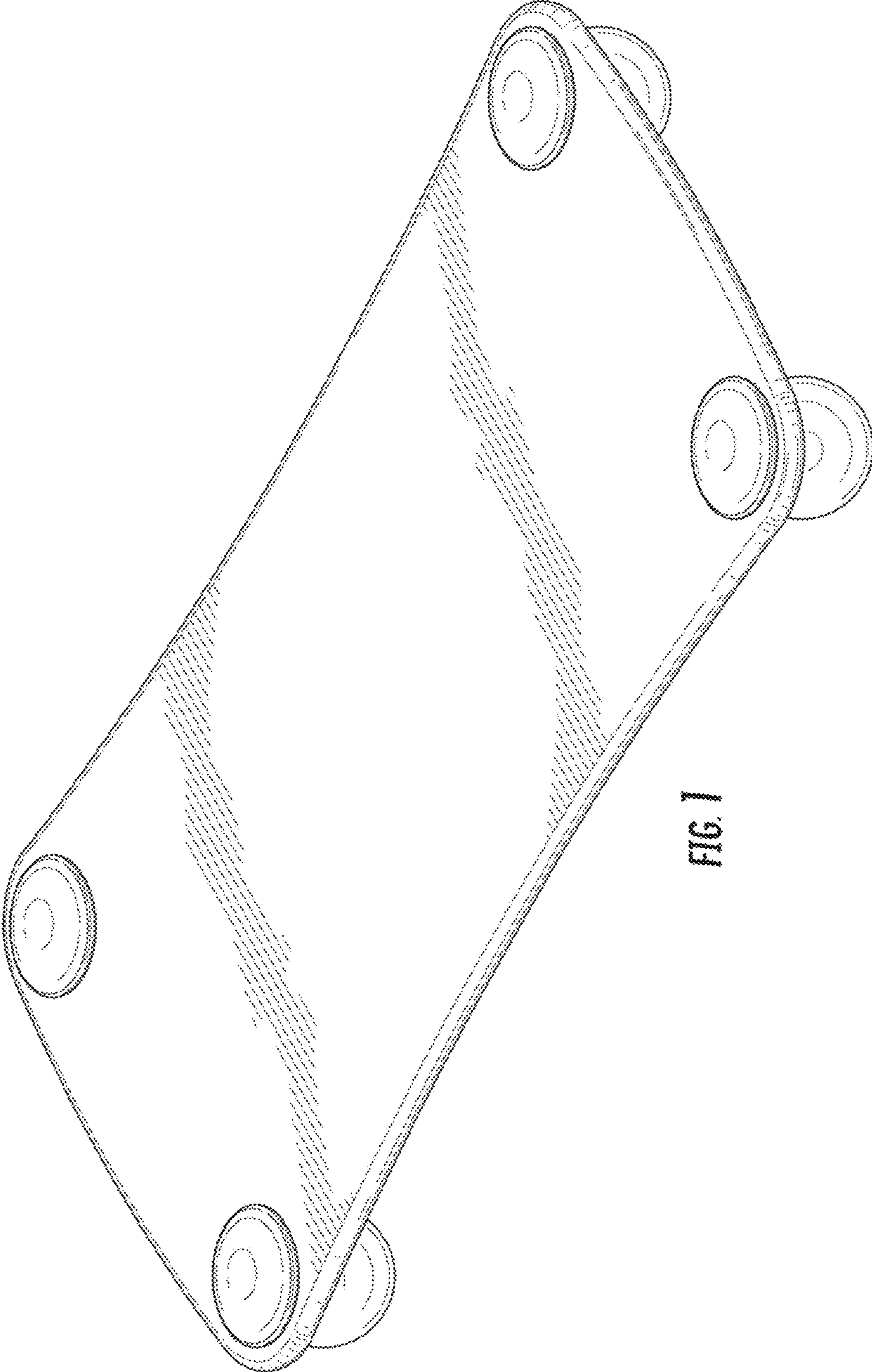


FIG. 1

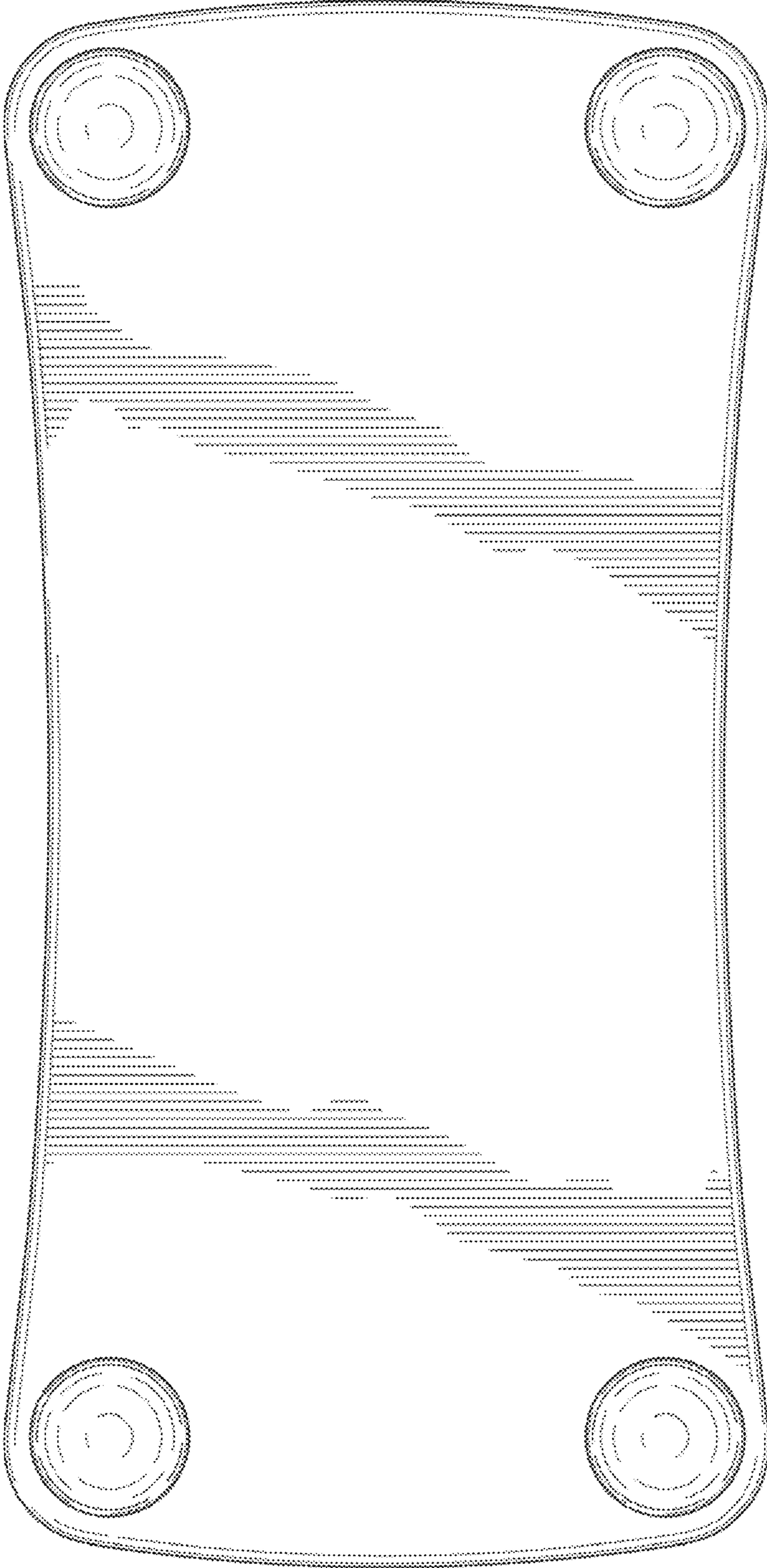


FIG. 2

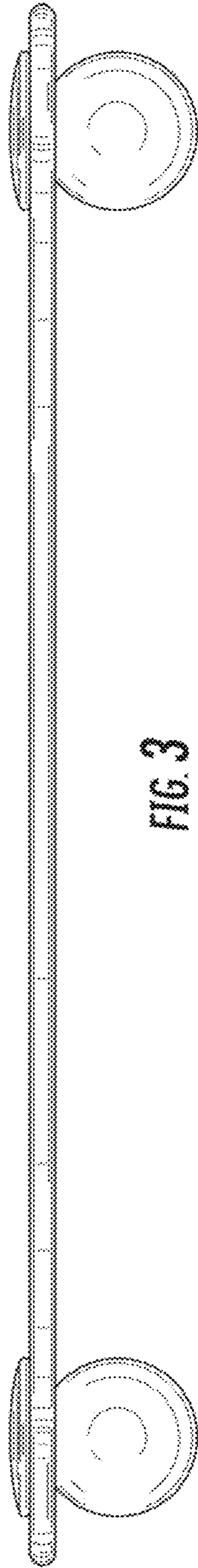


FIG. 3

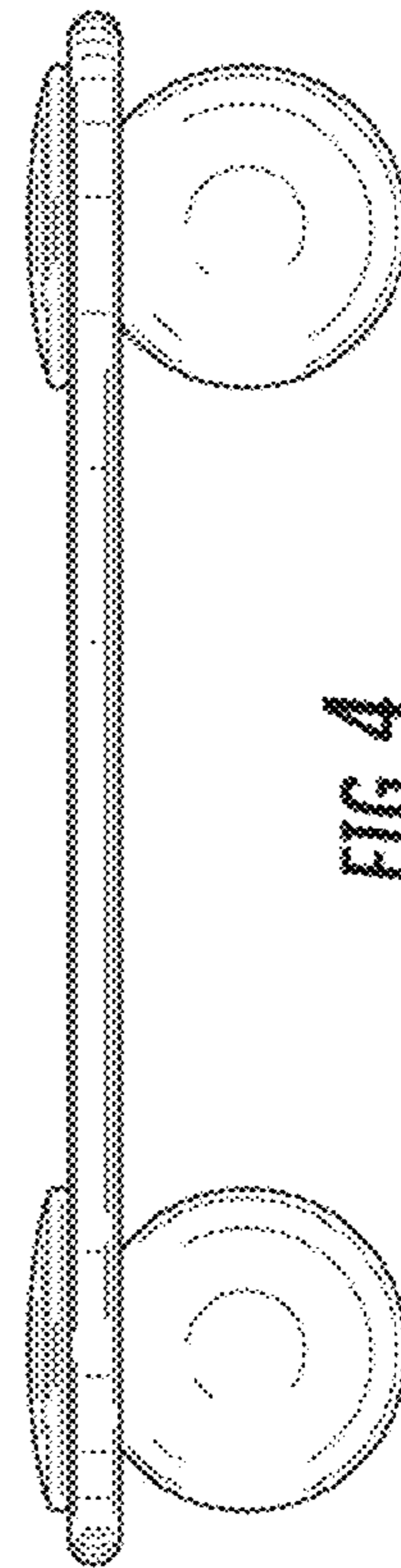


FIG. 4

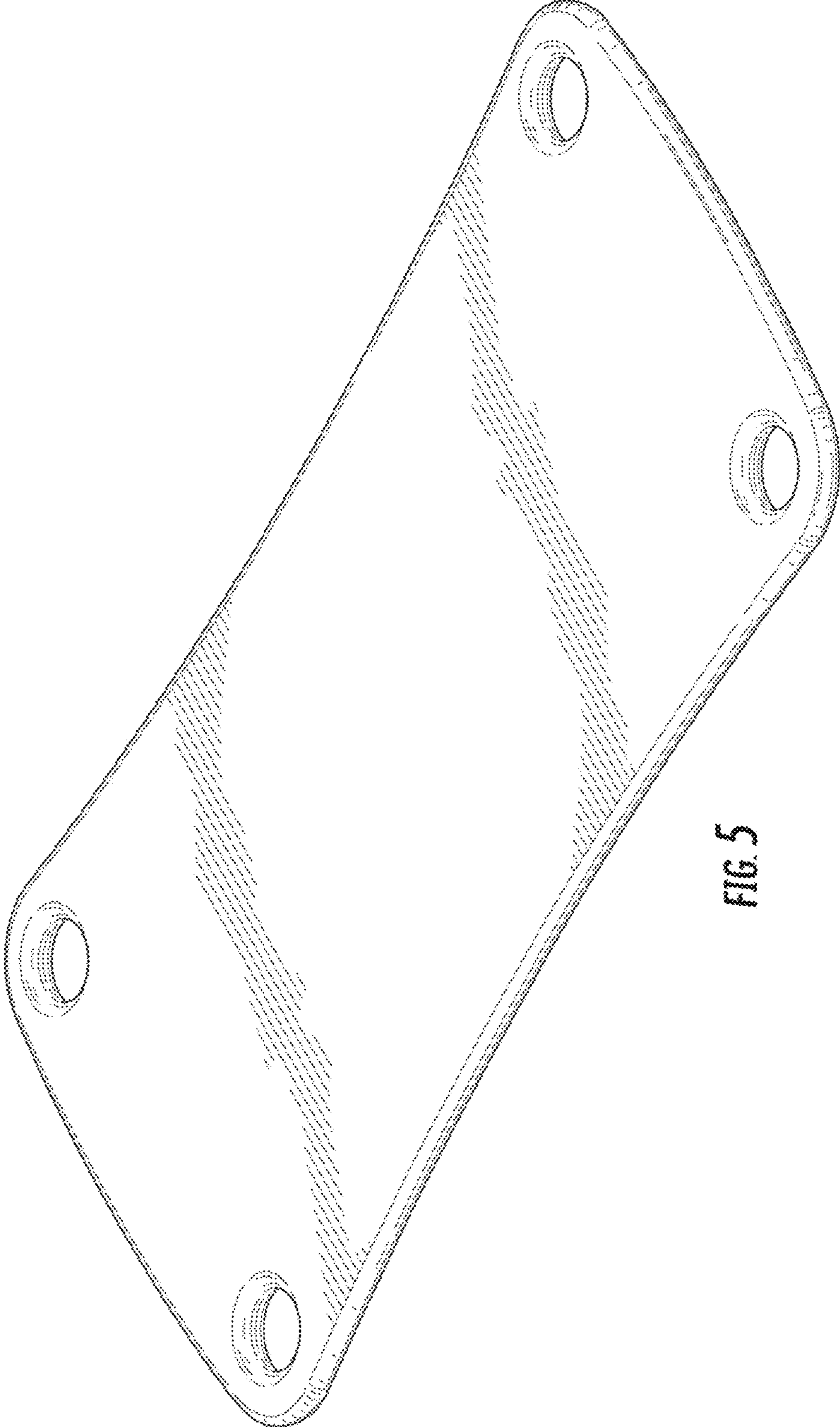


FIG. 5

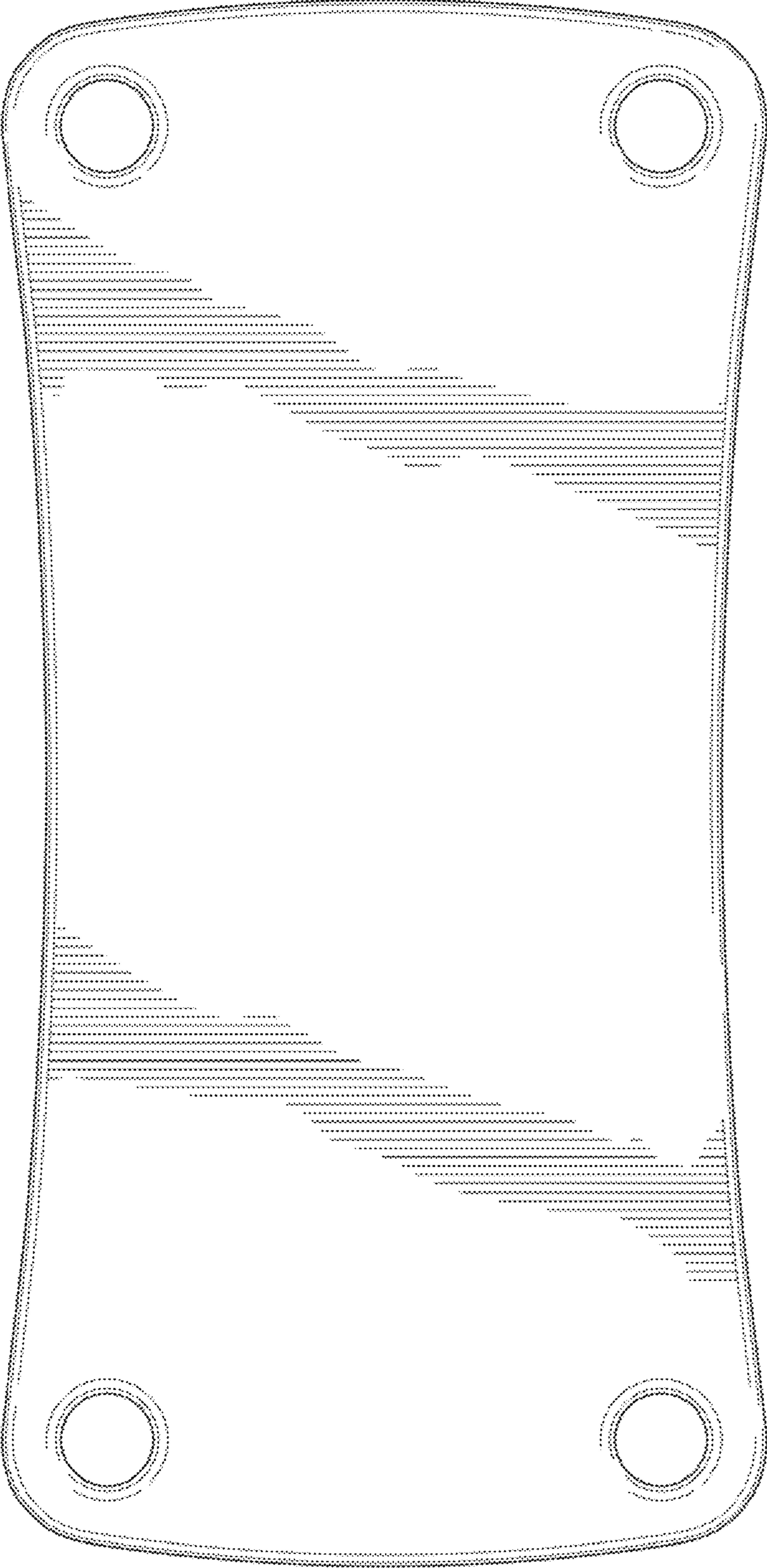


FIG. 6

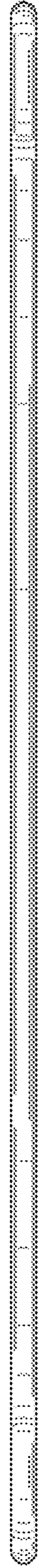


FIG. 7



FIG. 8

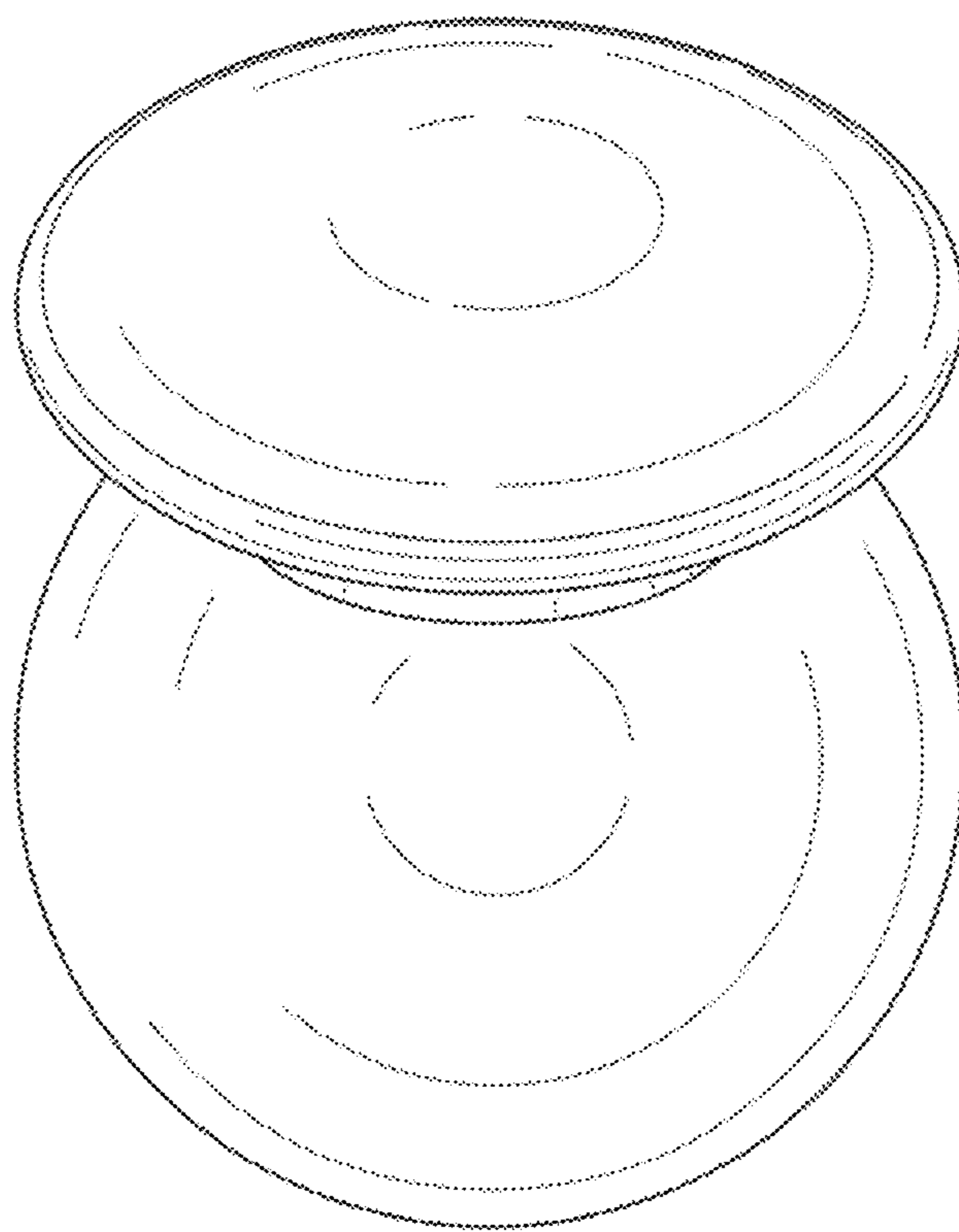


FIG. 9

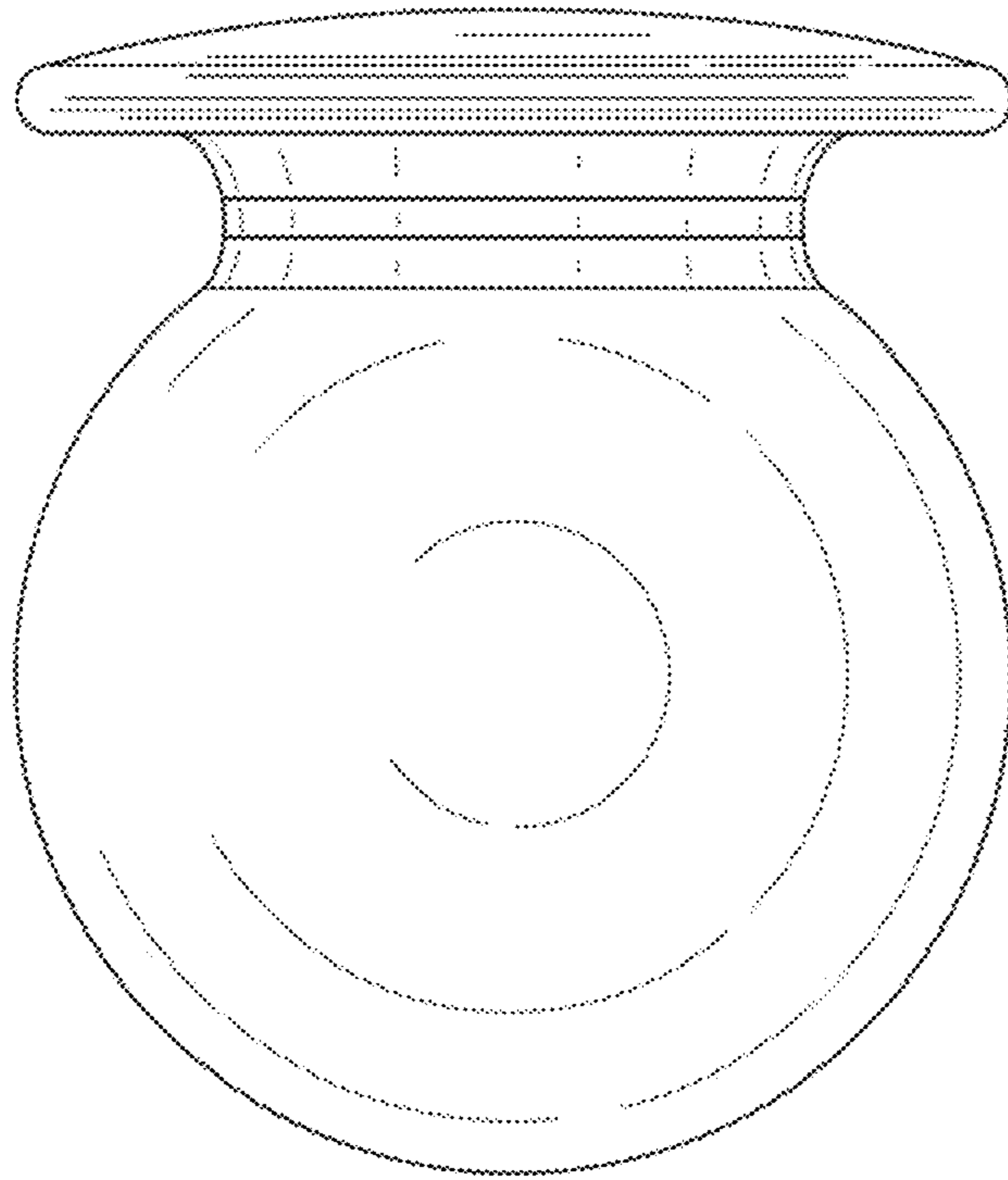


FIG. 10

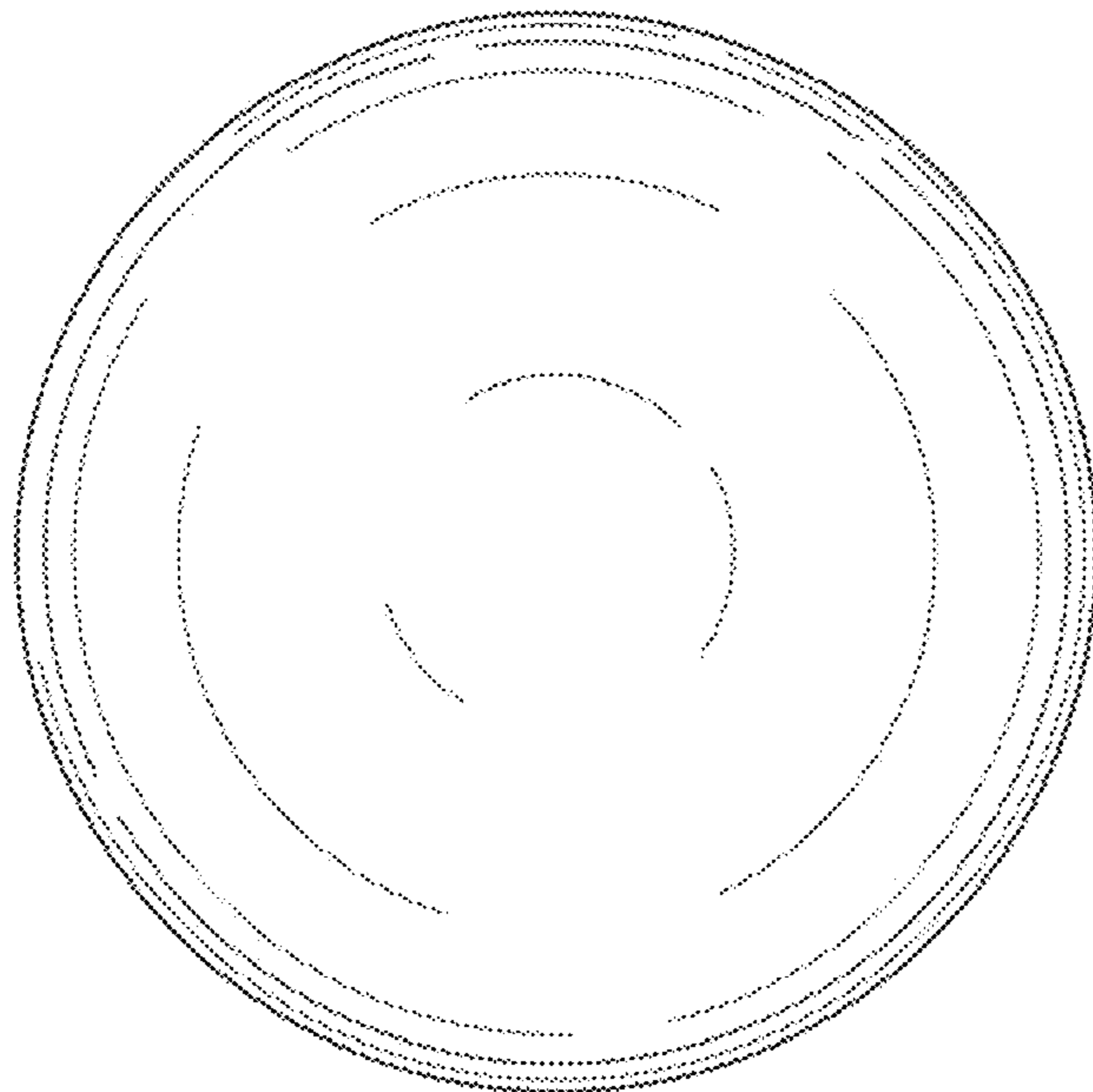


FIG. 11