



US00D778999S

(12) **United States Design Patent** (10) **Patent No.:** **US D778,999 S**
Zanyk (45) **Date of Patent:** **** Feb. 14, 2017**

(54) **ISOMETRIC EXERCISE AND STRETCHING SUPPORT STAND**

(71) Applicant: **Marien Zanyk**, South Glastonbury, CT (US)

(72) Inventor: **Marien Zanyk**, South Glastonbury, CT (US)

(73) Assignee: **W2Designs, LLC**, South Glastonbury, CT (US)

(**) Term: **14 Years**

(21) Appl. No.: **29/518,572**

(22) Filed: **Feb. 25, 2015**

(51) **LOC (10) Cl.** **21-02**

(52) **U.S. Cl.**
USPC **D21/686**

(58) **Field of Classification Search**

USPC D21/664, 673, 688, 662, 699, 705, 668, D21/769, 690, 788, 698, 534, 669, 302, D21/691, 681, 682, 800, 694, 686, 702, D21/676; 482/122, 142, 123, 129, 128, 482/93, 106, 74, 121, 130, 71, 72, 95, 96, 482/68, 66, 41, 141, 100, 115, 49, 146, 482/147, 42, 51, 35, 38, 23, 904, 91, 28, 482/140, 907, 86, 83, 87, 90, 131, 902, 482/61, 65, 17, 52, 62, 107, 108, 54, 105, 482/133, 148, 92, 138; 473/432, 445, 441, 473/197, 434, 438, 454, 478, 447, 422, 476; D12/317, 9, 6, 8, 130, 115; 273/400, 273/407, 396

CPC A63B 23/0211; A63B 2210/50; A63B 63/004; A63B 21/4047; A63B 2208/0233; A63B 21/068; F41J 1/10; Y10S 482/907

See application file for complete search history.

(56) **References Cited**

U.S. PATENT DOCUMENTS

581,835 A * 5/1897 Sturgis A63B 69/16 482/61
3,871,648 A * 3/1975 Maurer, III A63B 69/16 434/61

3,905,597 A * 9/1975 Tabb A63B 69/16 482/61
3,958,801 A * 5/1976 Correa A63B 71/0054 473/441
D242,731 S * 12/1976 Taylor D12/115
4,082,265 A * 4/1978 Berkes A63B 22/16 280/293
4,415,150 A * 11/1983 Iezza A63B 3/00 211/182

(Continued)

FOREIGN PATENT DOCUMENTS

RU 2411896 C1 2/2011
SU 1757690 A1 8/1992

(Continued)

OTHER PUBLICATIONS

Willow Worx by Willow Workout dated no date given. Found online [Jul. 22, 2016] <http://www.willowworkout.com/>.*

(Continued)

Primary Examiner — Robert M Spear

Assistant Examiner — Ryan Harvey

(74) *Attorney, Agent, or Firm* — McCormick, Paulding & Huber LLP

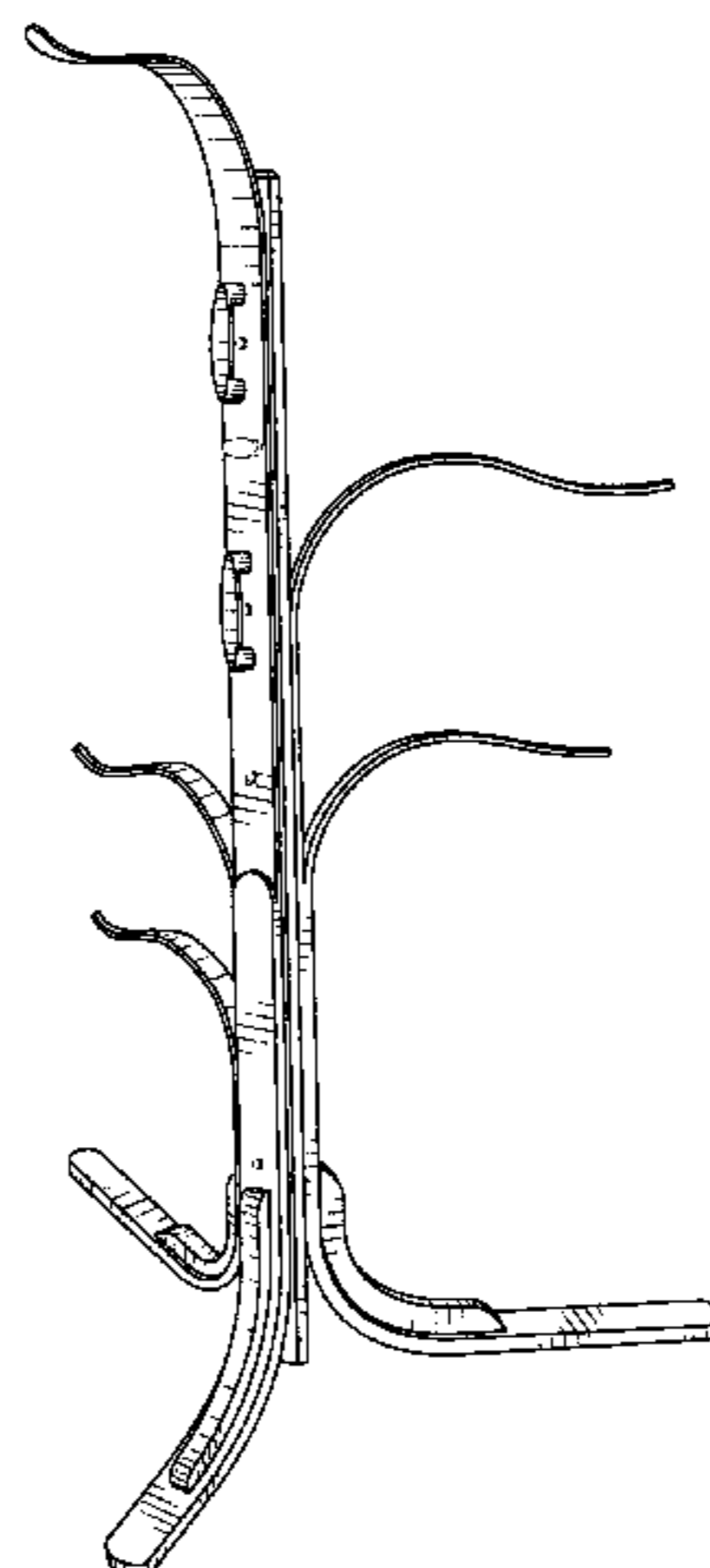
(57) **CLAIM**

The ornamental design for an isometric exercise and stretching support stand, as shown and described.

DESCRIPTION

FIG. 1 is a perspective view of the isometric exercise and stretching support stand;
FIG. 2 is a front elevation view of the stand;
FIG. 3 is a left side elevation view of the stand;
FIG. 4 is a rear elevation view of the stand;
FIG. 5 is a right side elevation view of the stand;
FIG. 6 is a top plan view of stand; and,
FIG. 7 is a bottom plan view of the stand.

(Continued)



The broken line showing of portions of the isometric exercise and stretching support stand depicts environment and forms no part of the claim.

1 Claim, 7 Drawing Sheets

(56)

References Cited

U.S. PATENT DOCUMENTS

D280,225 S * 8/1985 Eagle D21/664
 4,620,704 A 11/1986 Shifferaw
 D290,033 S * 5/1987 Policastro D21/691
 4,902,000 A * 2/1990 Starks A63B 3/00
 434/255
 4,927,138 A * 5/1990 Ferrari A63B 69/0035
 482/41
 5,232,423 A * 8/1993 Hajduczek A63B 26/003
 482/66
 5,344,372 A * 9/1994 Hung A63B 22/02
 482/52
 D363,902 S * 11/1995 Wright D12/8
 D377,507 S * 1/1997 Thomas, Sr. D12/6
 5,662,560 A * 9/1997 Svendsen A63B 21/4007
 482/54
 D390,500 S * 2/1998 Walker D12/6
 6,129,651 A * 10/2000 Denaro A63B 21/00047
 482/141
 6,168,548 B1 * 1/2001 Fleming A63B 3/00
 482/23
 6,270,448 B1 8/2001 Smith
 6,450,923 B1 * 9/2002 Vatti A63B 21/00181
 482/51
 6,520,891 B1 * 2/2003 Stephens, Jr. A63B 21/023
 482/121
 D478,954 S * 8/2003 Forrest D21/788
 D522,933 S * 6/2006 Monaghan D12/130
 D562,417 S * 2/2008 Noojin D21/698

D606,611 S * 12/2009 Rogers D21/698
 7,713,175 B2 * 5/2010 Monaghan A47D 13/04
 482/35
 D617,407 S * 6/2010 Ruiz D21/769
 8,585,559 B1 * 11/2013 Shannon A63B 3/00
 482/146
 D695,856 S * 12/2013 Jacobs D21/668
 8,617,007 B2 * 12/2013 Gilman A63B 69/00
 473/441
 8,858,405 B2 * 10/2014 Agate A63B 21/0618
 482/106
 D731,005 S * 6/2015 Pierroz D21/664
 D732,612 S * 6/2015 Klampfer D21/668
 9,283,460 B1 * 3/2016 Viera A63B 69/16
 9,295,894 B2 * 3/2016 Papadopolous A63B 69/16
 2008/0312009 A1 * 12/2008 Gilman A63B 21/06
 473/445
 2011/0124474 A1 * 5/2011 Gilman A63B 21/0615
 482/93
 2011/0224050 A1 * 9/2011 Larish A63B 21/015
 482/93
 2014/0073491 A1 * 3/2014 Gilson A63B 21/06
 482/93
 2015/0231475 A1 * 8/2015 Tompkins A63B 69/345
 473/445

FOREIGN PATENT DOCUMENTS

UA 18186 10/2006
 WO 98/26843 6/1998

OTHER PUBLICATIONS

Dynastar Maxzero by Skitrucks dated no date given. Found online [Jul. 22, 2016] <http://skitrucks.com/dynastar-maxzero-coat-rack-and-towel-rack-made-from-new-skis/>.
 International Search Report for PCT/US2015/017517 dated Aug. 20, 2015.

* cited by examiner

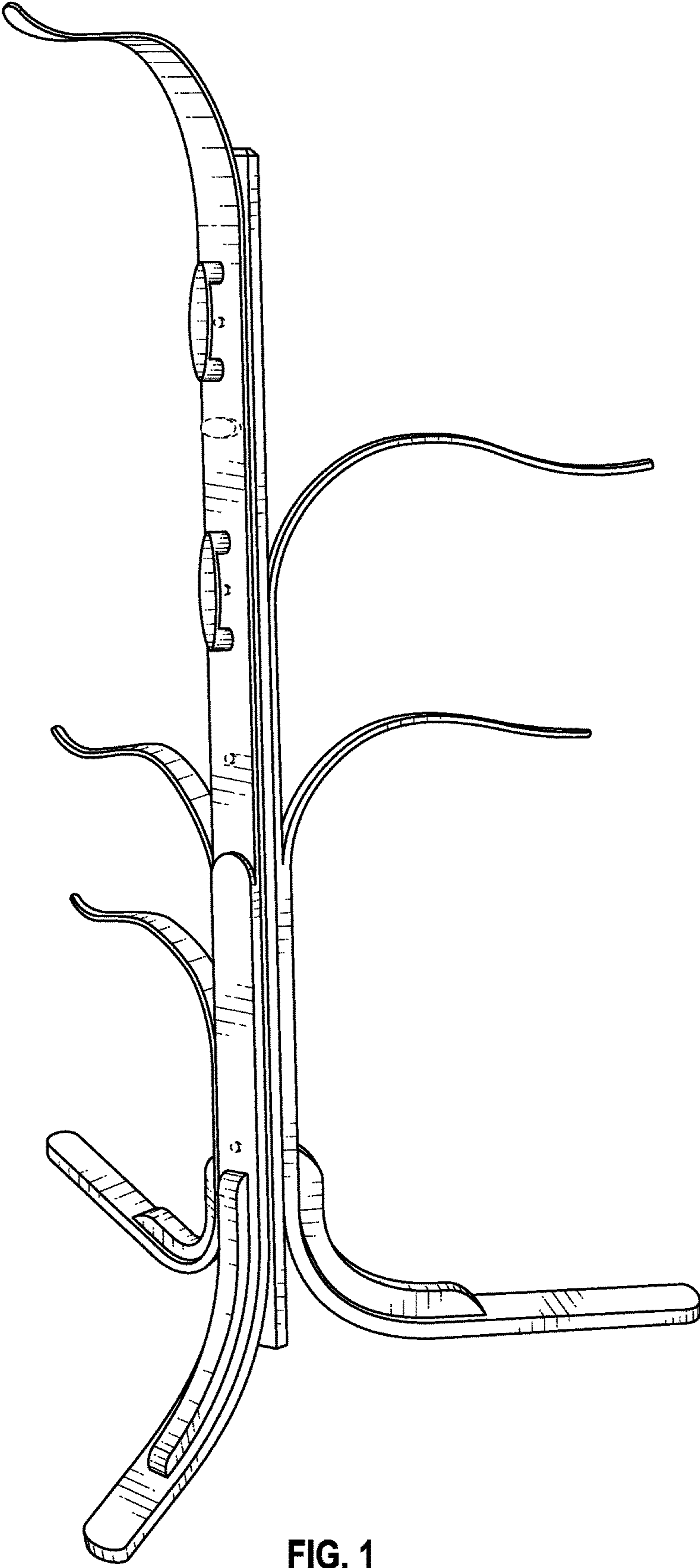


FIG. 1

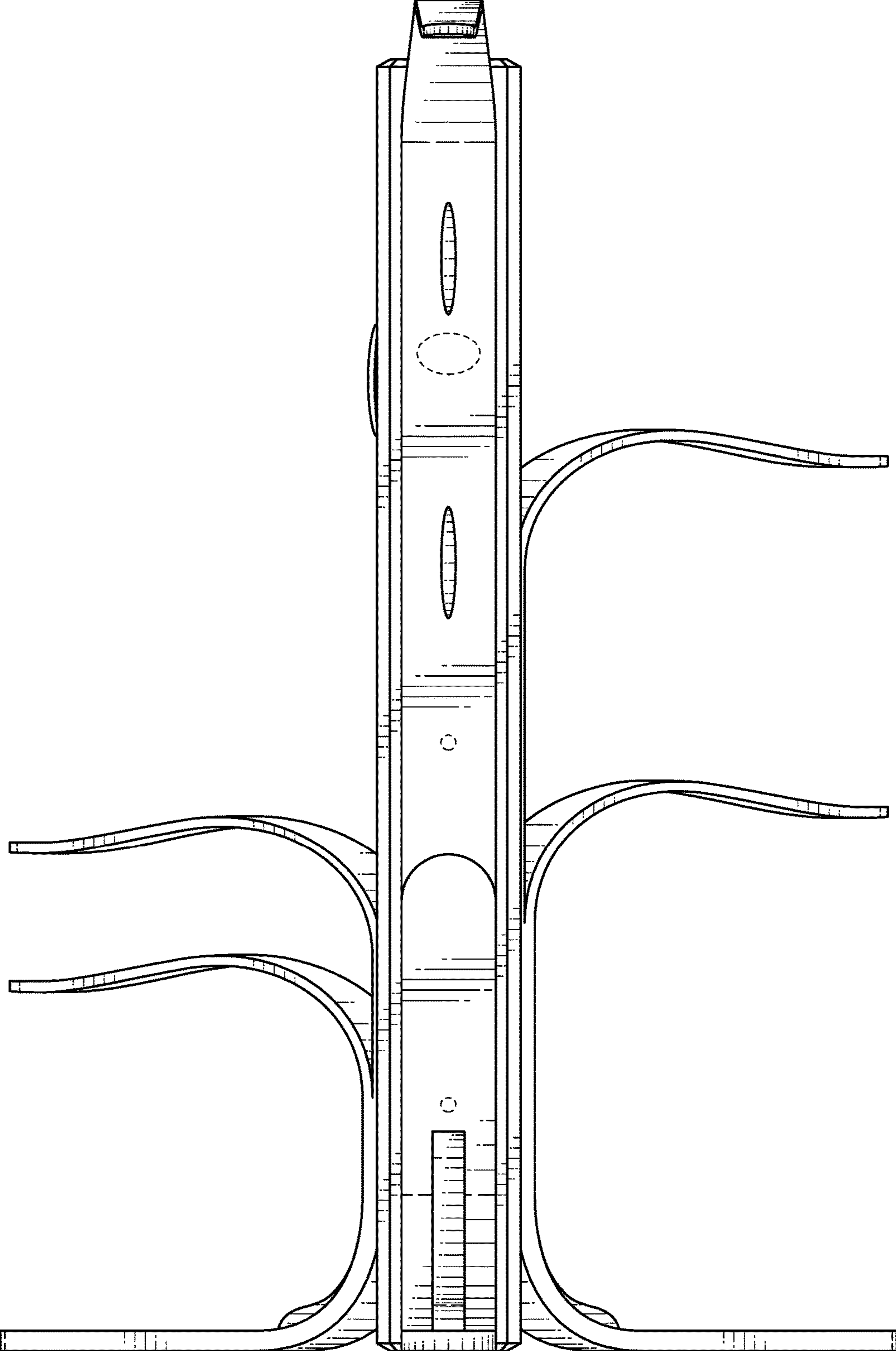


FIG. 2

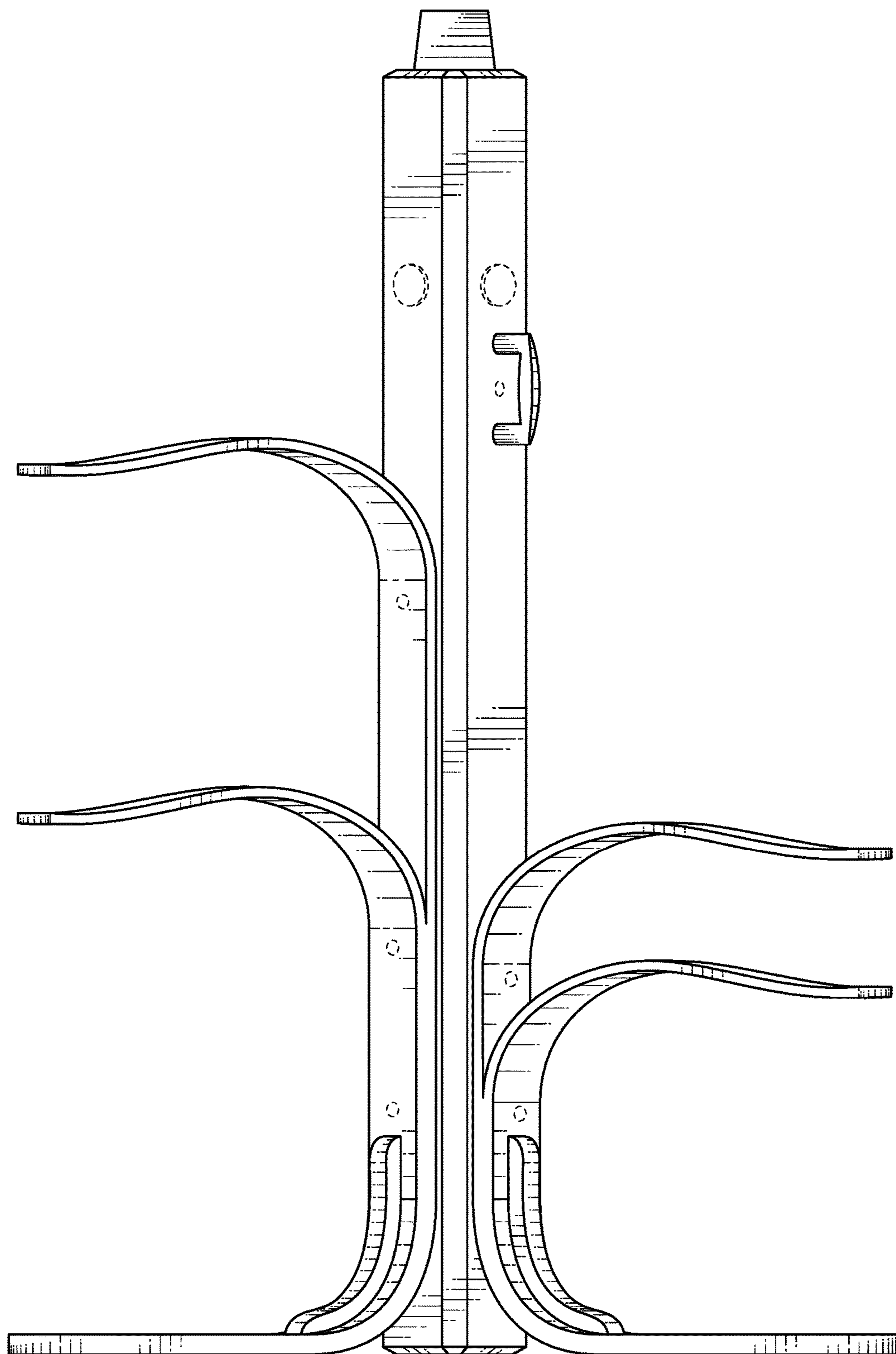


FIG. 3

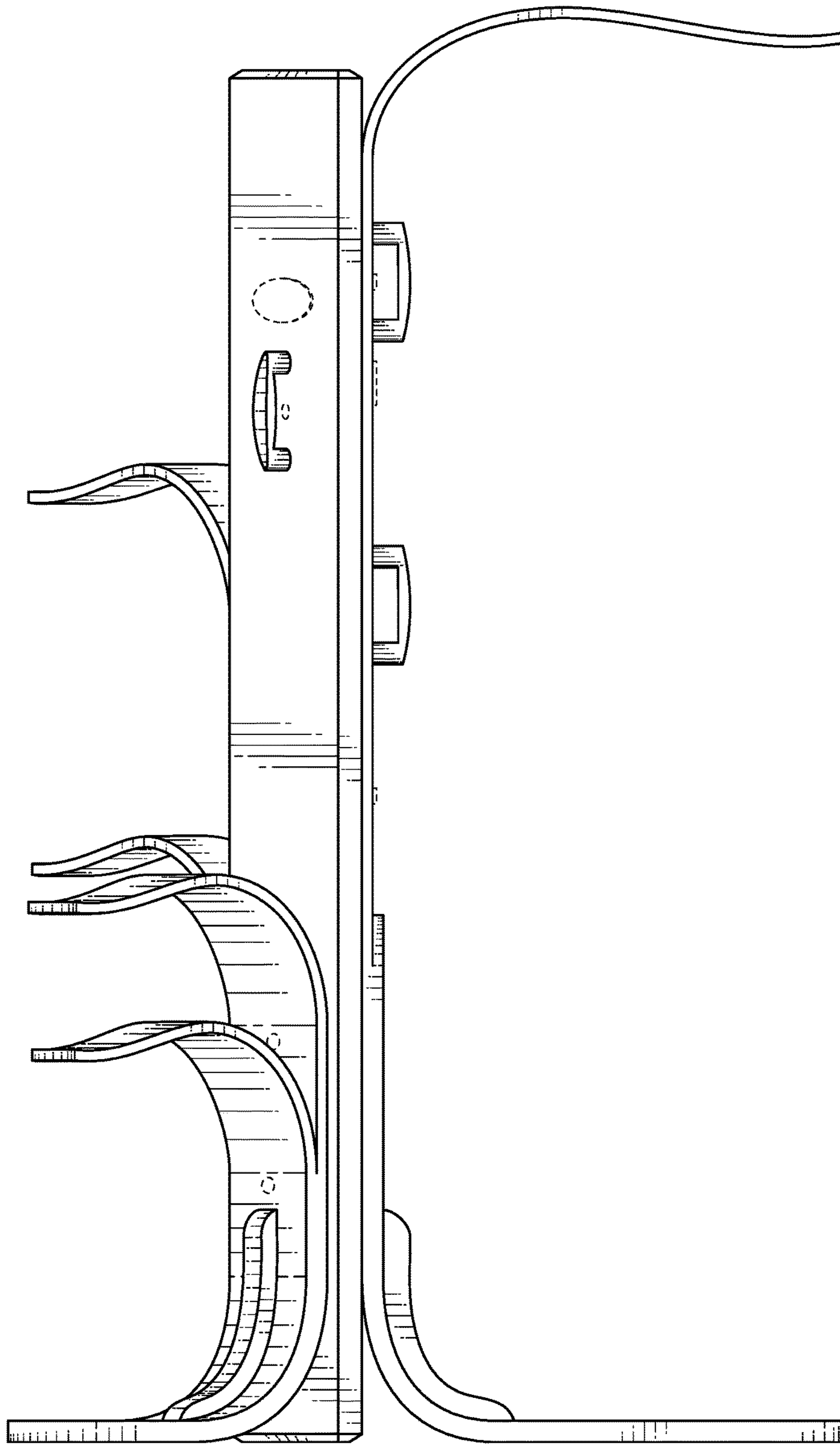


FIG. 4

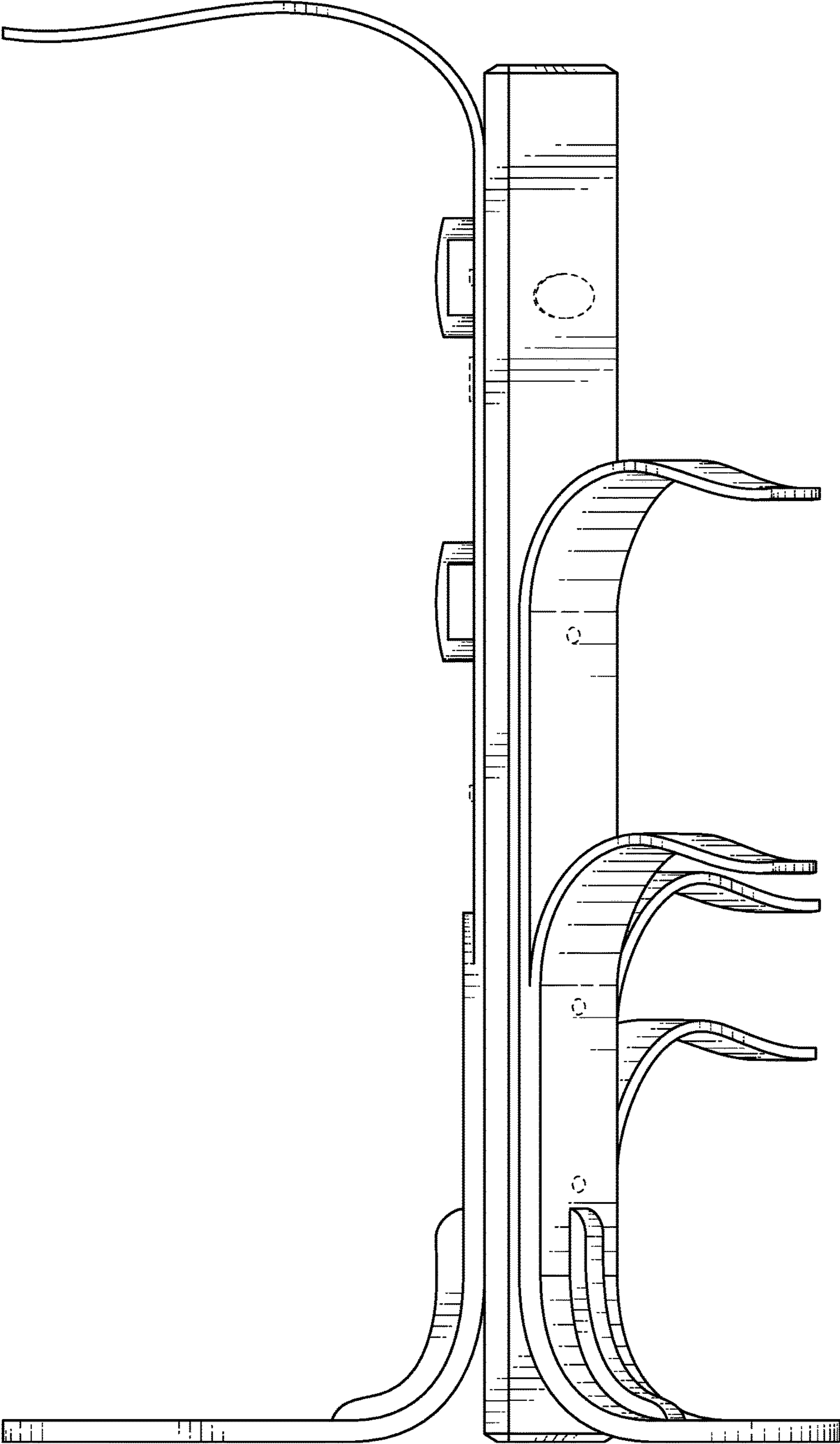


FIG. 5

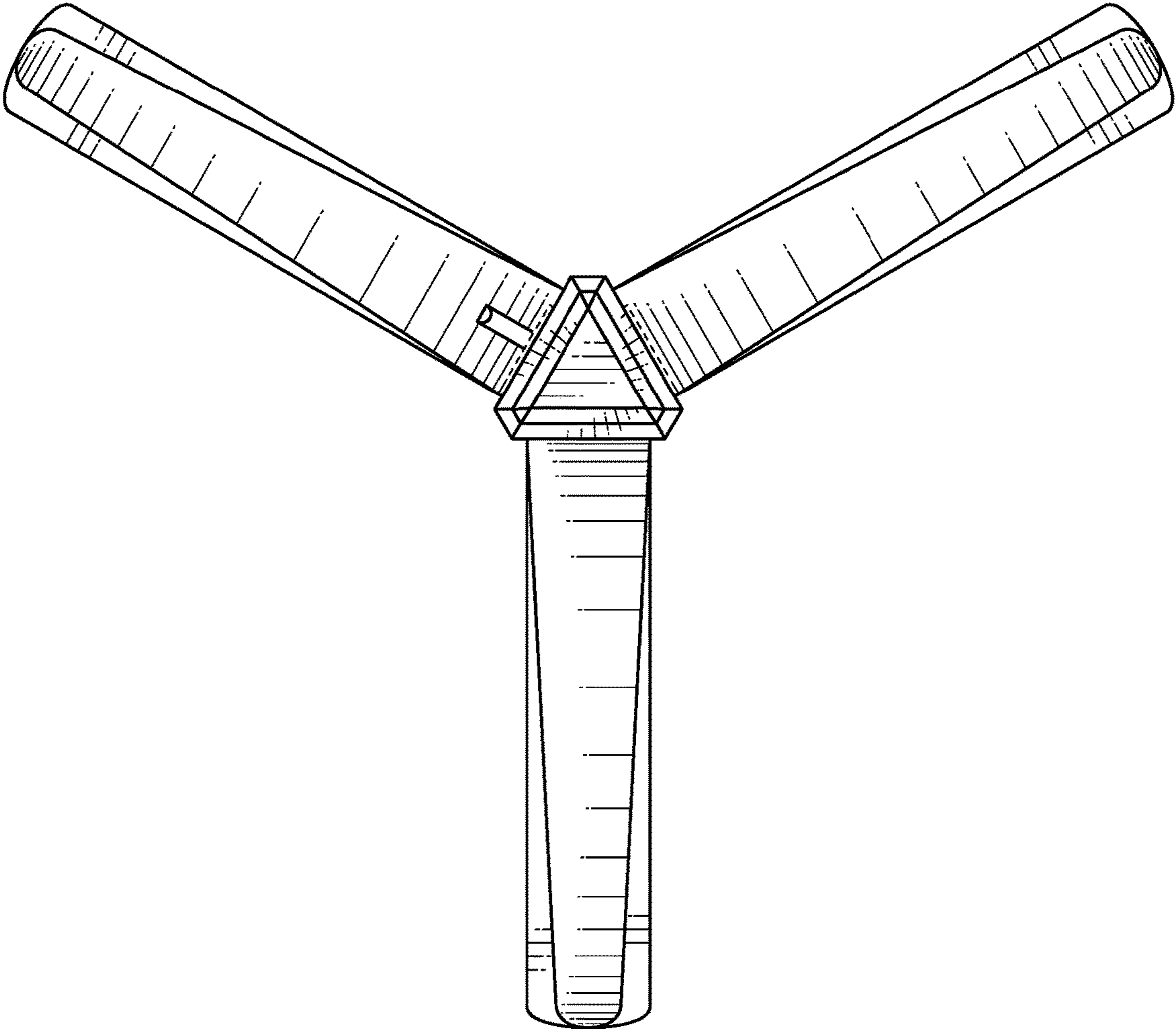


FIG. 6

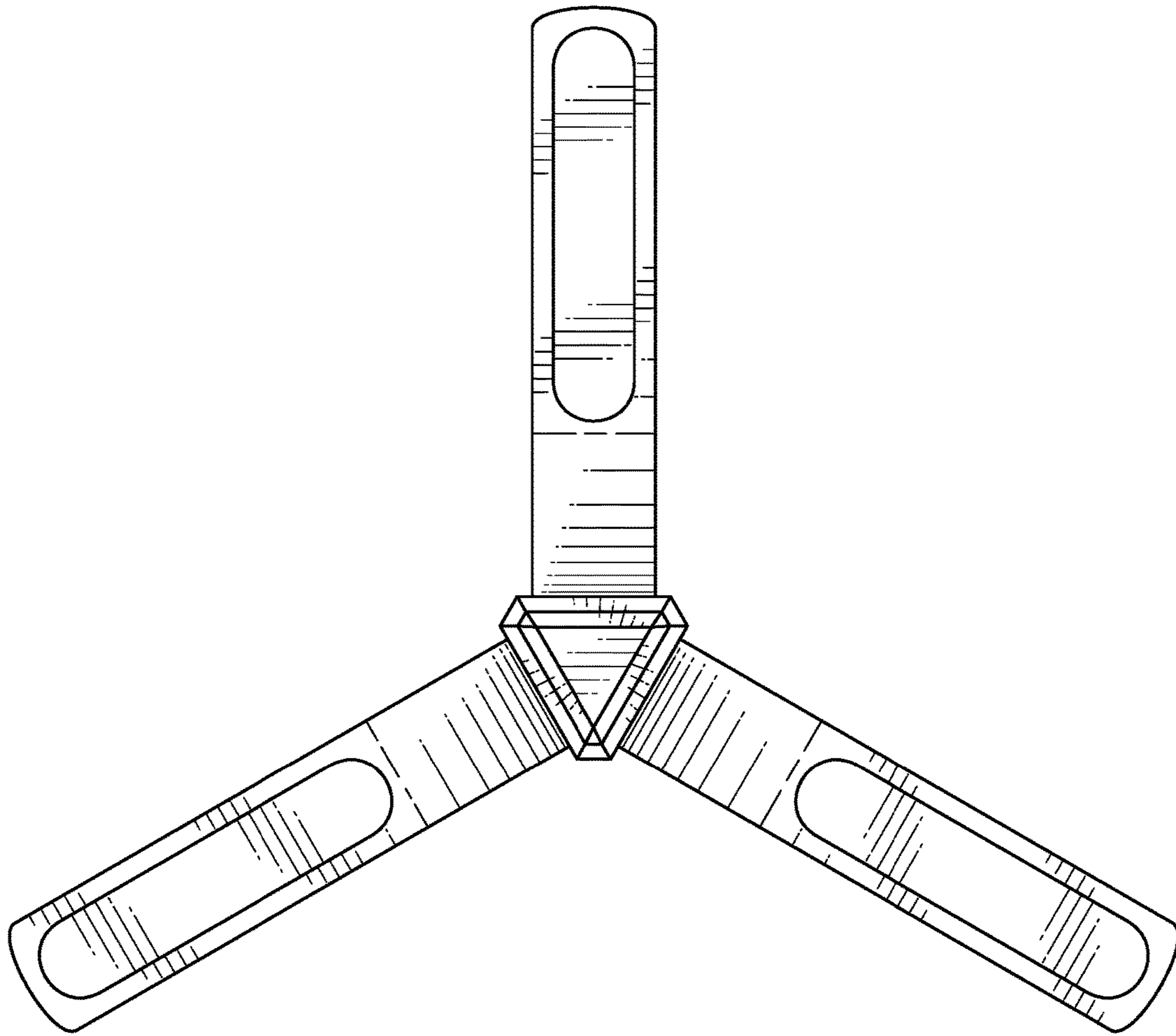


FIG. 7