



US00D778998S

(12) **United States Design Patent** (10) **Patent No.:** **US D778,998 S**
Musselman et al. (45) **Date of Patent:** **** Feb. 14, 2017**

(54) **BOTTLE**

FOREIGN PATENT DOCUMENTS

(71) Applicant: **Bath & Body Works Brand Management, Inc.**, Reynoldsburg, OH (US)

CA 153394 11/2014
CA 153395 11/2014

(Continued)

(72) Inventors: **Matthew Musselman**, Orient, OH (US); **Laura Maria Lees**, Blacklick, OH (US)

OTHER PUBLICATIONS

Bath & Body Works, Anti-Bacterial Deep Cleansing Hand Soap, <http://www.bathandbodyworks.com/product/index.jsp?productId=17818566&cp=12587004.12936131.4191861>, web site visited on May 16, 2013.

(Continued)

(73) Assignee: **Bath & Body Works Brand Management, Inc.**, Reynoldsburg, OH (US)

Primary Examiner — Catherine Tuttle

(**) Term: **15 Years**

(74) *Attorney, Agent, or Firm* — Andrus Intellectual Property Law, LLP

(21) Appl. No.: **29/529,490**

(57) **CLAIM**

The ornamental design for a bottle, as shown and described.

(22) Filed: **Jun. 8, 2015**

DESCRIPTION

(51) **LOC (10) Cl.** **09-01**

(52) **U.S. Cl.**

USPC **D21/682**

(58) **Field of Classification Search**

USPC D9/682-694, 516, 522-543, 544-546, D9/549-558, 559-575, 447-450

CPC B65D 1/00; B65D 1/0223; B65D 1/023; B65D 1/40; B65D 1/42; B65D 1/46; B65D 2501/0009; B65D 2501/0081; B05B 11/0037; B05B 11/0097; B05B 11/3001-11/3043; B05B 11/3045; B05B 11/3047; B05B 11/3049; B05B 11/3046;

(Continued)

FIG. 1 is a rear perspective view of a bottle according to our new and ornamental design; FIG. 2 is a rear view thereof; FIG. 3 is a front view thereof; FIG. 4 is a right side view thereof; FIG. 5 is a left side view thereof; FIG. 6 is a top view thereof; FIG. 7 is a bottom view thereof; and, FIG. 8 is a rear perspective view thereof, showing the bottle pump in an alternative position.

The dashed broken lines showing a suction tube, threads on the suction tube, and an indented portion on the bottom of the bottle are directed to environment and are for illustrative purposes only. The dash-dot broken lines offset immediately inwardly from the bottom edge of the bottle and shown in FIGS. 1 and 6-8 represent the boundary of the claim within the bottom surface. The broken lines form no part of the claim. The appearance of any portion of the bottle between the two break lines forms no part of the claim.

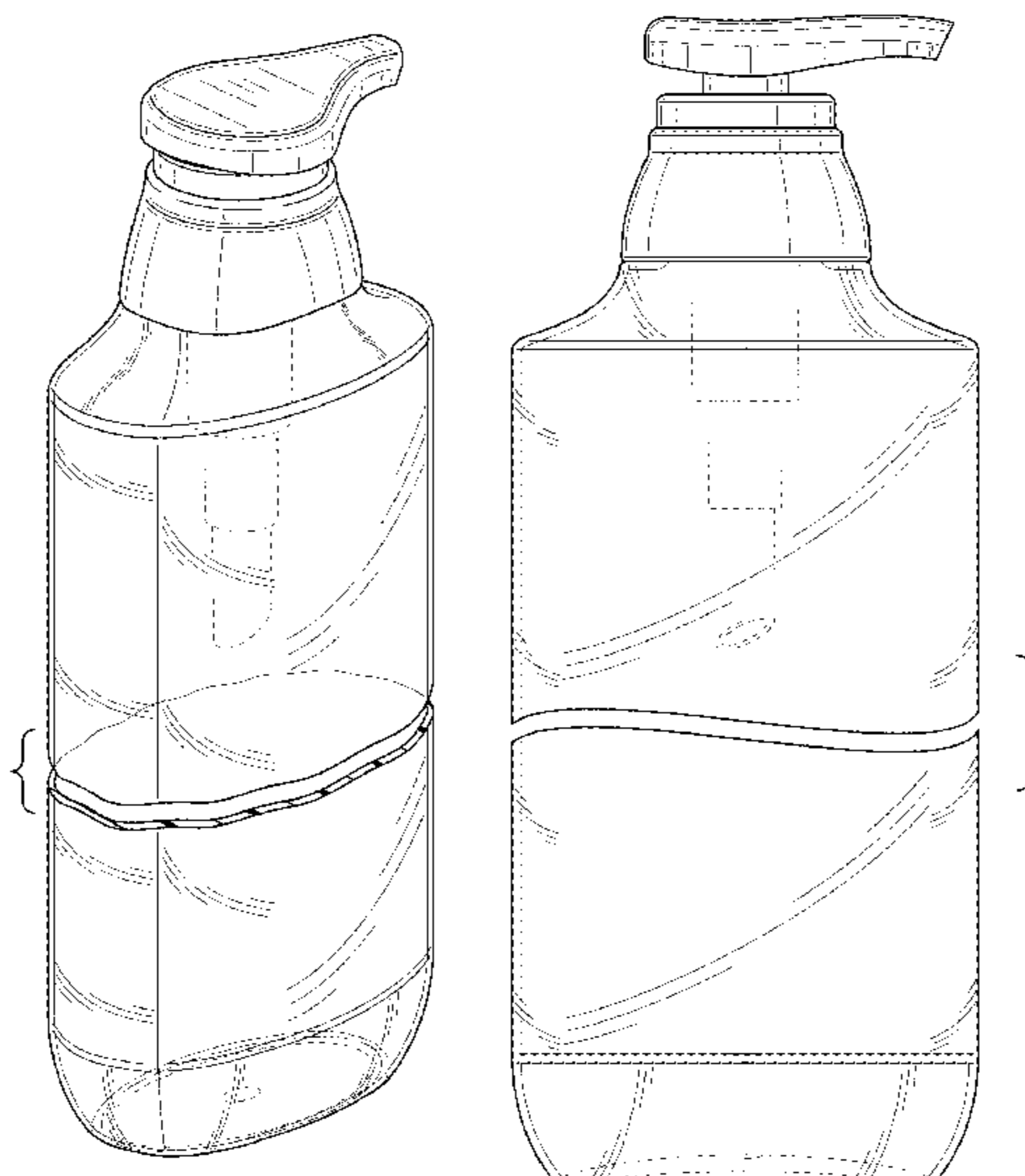
(56) **References Cited**

U.S. PATENT DOCUMENTS

D27,261 S 6/1897 Beach
D53,445 S 6/1919 Humphrey

(Continued)

1 Claim, 7 Drawing Sheets



- (58) **Field of Classification Search**
 CPC B05B 11/306; B05B 11/3052; B05B
 11/3053; B05B 11/3054; B05B 11/3057;
 B05B 11/3059; B05B 11/609; B05B
 11/3091; B05B 11/3092
 See application file for complete search history.

(56) **References Cited**

U.S. PATENT DOCUMENTS

D87,401 S	7/1932	Nitardy	
D92,148 S	5/1934	McGiveran	
D234,077 S	1/1975	Peterson	
D253,398 S	11/1979	Niemeyer et al.	
D261,107 S	10/1981	Harris	
D261,108 S	10/1981	Harris	
D273,564 S	4/1984	Spielhoff	
D292,889 S	11/1987	Ostrowsky	
D322,399 S	12/1991	Cromer	
D324,820 S	3/1992	Hayman et al.	
D352,657 S	11/1994	Gonda et al.	
D362,391 S	9/1995	Gobe	
D371,295 S	7/1996	Wadsworth et al.	
D372,859 S	8/1996	Lathrop et al.	
D376,980 S	12/1996	LoPreto	
D389,059 S	1/1998	Mascitelli	
D392,887 S	3/1998	Waldsworth	
D394,210 S	5/1998	Fiore	
D398,223 S *	9/1998	Bertolini	D9/542
D398,529 S	9/1998	Mascitelli	
D415,031 S	10/1999	Mahlmann	
D418,418 S	1/2000	Wadsworth	
D419,864 S	2/2000	Kuzma et al.	
D423,370 S	4/2000	Lewin	
D427,527 S	7/2000	Wise	
D429,629 S	8/2000	Kuzma et al.	
D433,932 S	11/2000	Kuzma et al.	
D434,324 S	11/2000	Gobe	
D439,516 S	3/2001	Bakic	
D445,686 S	7/2001	Danielo et al.	
D452,822 S	1/2002	Boshuizen et al.	
6,364,167 B1 *	4/2002	Safian	B05B 11/3001 222/153.13
D476,902 S	7/2003	Snyder	
D526,568 S	8/2006	Bakic	
7,134,577 B1 *	11/2006	Verma	B05B 11/0037 220/632
D536,972 S	2/2007	van der Heijden et al.	
D536,973 S	2/2007	van der Heijden et al.	
D547,655 S	7/2007	van der Heijden et al.	
D549,109 S	8/2007	Jones	
D557,146 S *	12/2007	Penfold	D9/690
D558,050 S	12/2007	Urcun	
D558,590 S *	1/2008	Cowan-Hughes	D9/682
D563,233 S	3/2008	Patzak	
D568,154 S	5/2008	Arminak	
D578,395 S	10/2008	Kuzma et al.	
D588,006 S	3/2009	Boes et al.	
D594,345 S	6/2009	Short et al.	

D598,750 S	8/2009	Boes et al.	
D607,744 S	1/2010	Laird et al.	
D608,213 S	1/2010	Kuzma et al.	
D615,411 S	5/2010	Kuzma et al.	
D617,190 S	6/2010	Holmes et al.	
D617,201 S	6/2010	Holmes et al.	
D617,646 S	6/2010	Kuzma et al.	
D623,532 S	9/2010	Kuzma et al.	
D702,130 S	4/2014	Handy	
D716,665 S	11/2014	O'Donahue et al.	
D718,143 S	11/2014	O'Donahue	
D723,381 S	3/2015	O'Donahue	
D730,733 S *	6/2015	O'Donahue	D9/448
D742,757 S *	11/2015	Behar	D9/682
2001/0032864 A1 *	10/2001	Shepherd	B05B 11/0037 222/321.5
2003/0129142 A1	7/2003	Schroeder et al.	
2010/0006606 A1 *	1/2010	Lee	B05B 11/3023 222/383.1
2013/0048755 A1	2/2013	Uehira et al.	
2013/0254136 A1	9/2013	Ciavarella et al.	

FOREIGN PATENT DOCUMENTS

CA	153396	11/2014	
CA	156788	11/2014	
CA	156789	11/2014	
CA	156822	11/2014	
CA	156823	11/2014	
CN	300935503	6/2009	
CN	302174255	11/2012	
EM	001709494-0001	7/2010	
EM	001945510-0001	3/2013	
EM	001399299-0003	1/2014	
EM	001399299-0004	1/2014	
EM	001399299-0005	1/2014	
JP	D1242991	6/2005	
JP	D1243472	6/2005	
JP	D1243473	6/2005	
WO	WO 2007070581 A2 *	6/2007 B05B 1/00

OTHER PUBLICATIONS

Bath & Body Works, Anti-Bacterial Gentle Foaming Hand Soap, <http://www.bathandbodyworks.com/product/index.jsp?productId=17818476&cp=12587004.12936131.4191863>, web site visited on May 16, 2013.

Bath & Body Works, Anti-Bacterial Moisturizing Hand Soap, <http://www.bathandbodyworks.com/product/index.jsp?productId=11085406&cp=12587004.12936131.4191868>, web site visited on May 16, 2013.

Cha Ching on a Shoestring, Bath & Body Works: Free Signature Collection Travel Size Body lotion, website dated Oct. 18, 2013, found online Aug. 7, 2014, website available at <http://chachingonashoestring.com/2013/10/18/bath-body-works-free-signature-collection-travel-size-body-lotion/>.

* cited by examiner

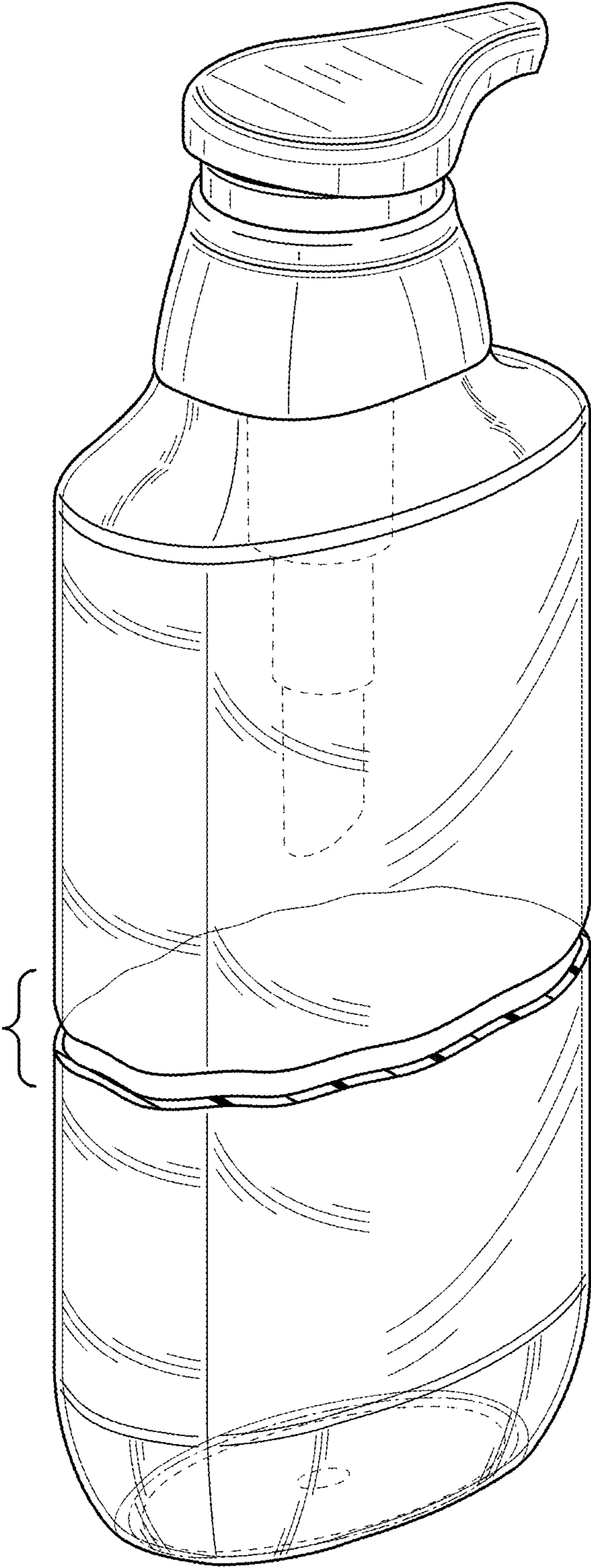


FIG. 1

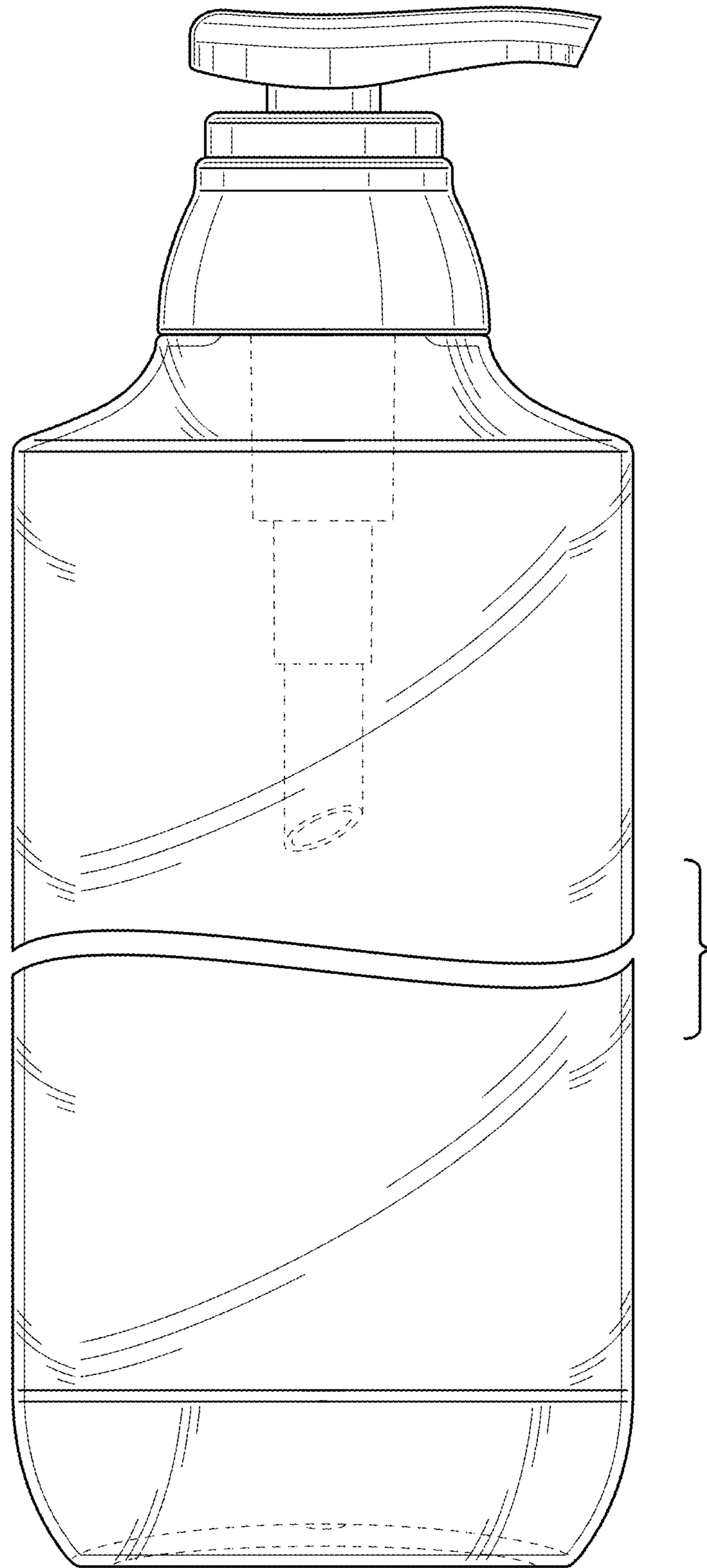


FIG. 2

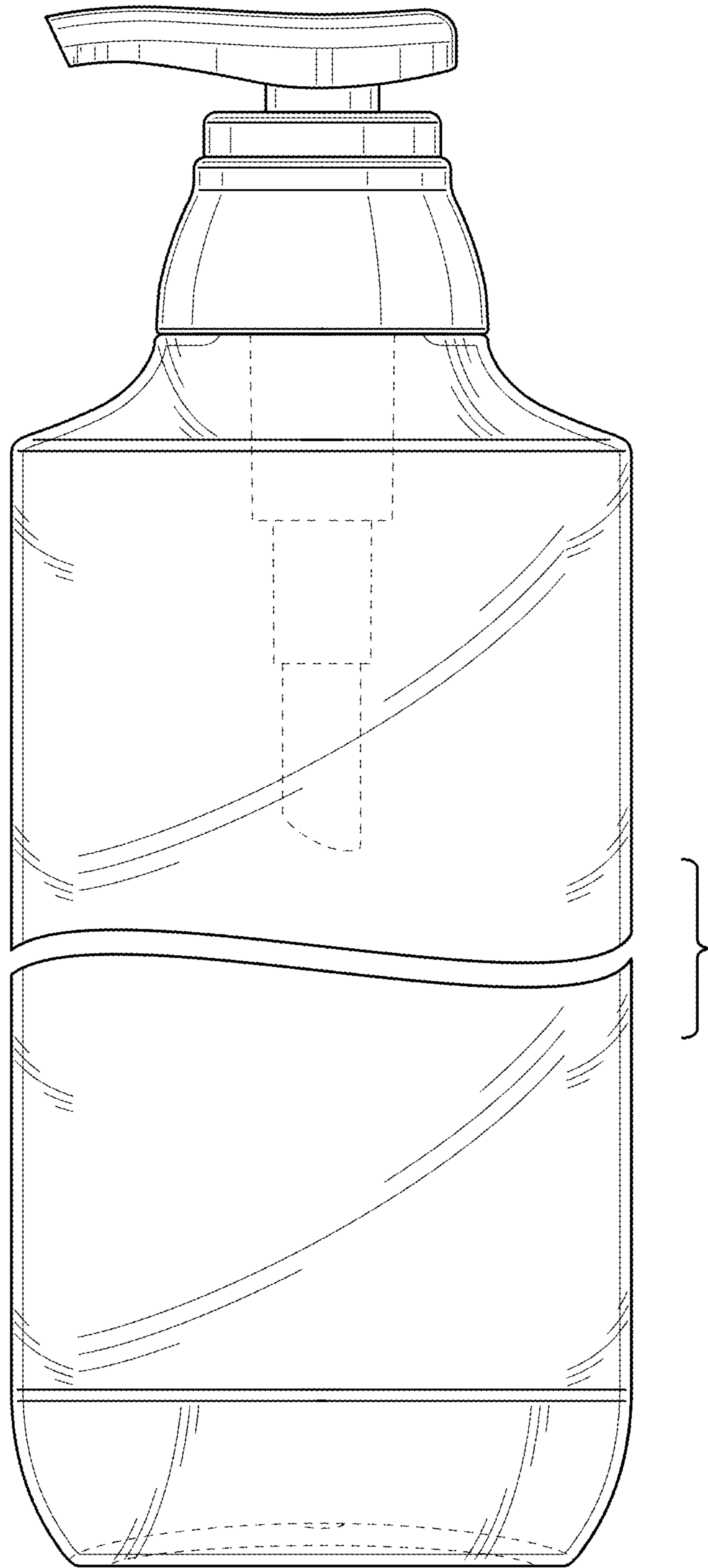


FIG. 3

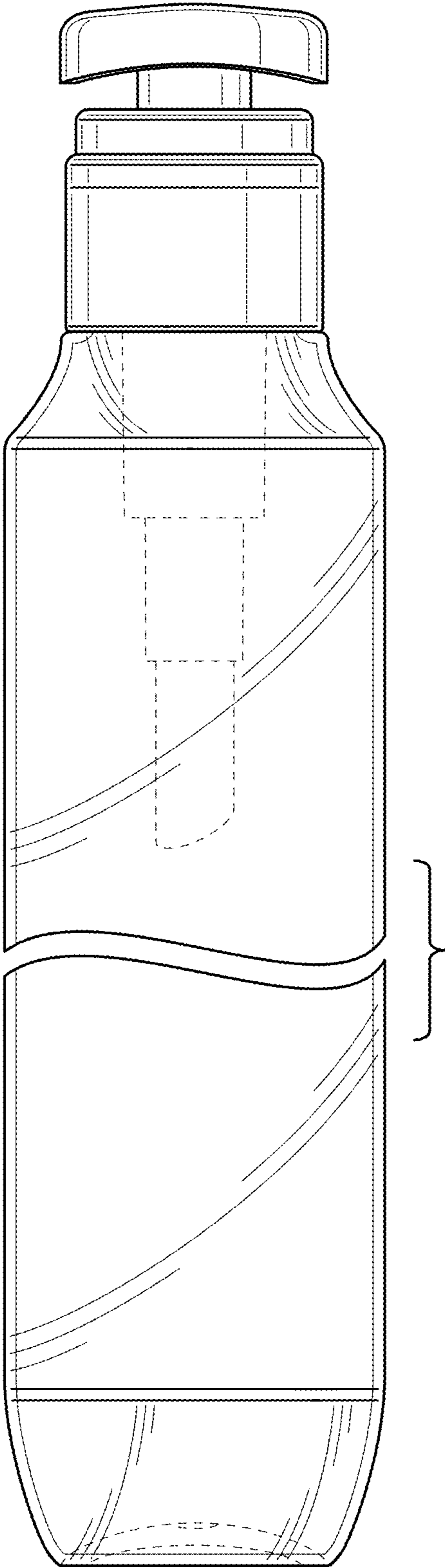


FIG. 4

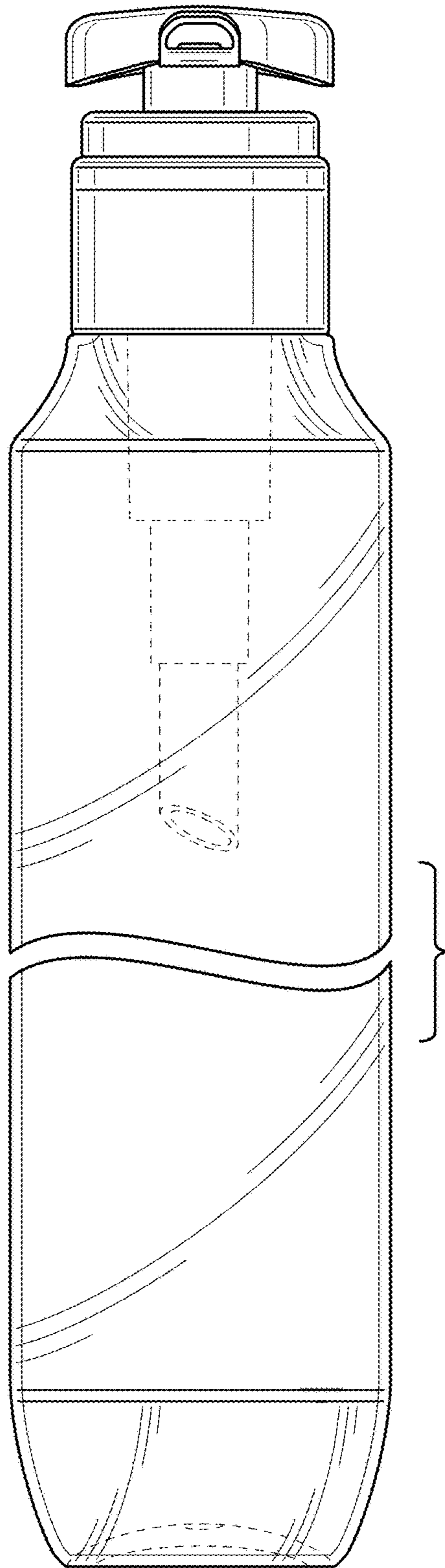


FIG. 5

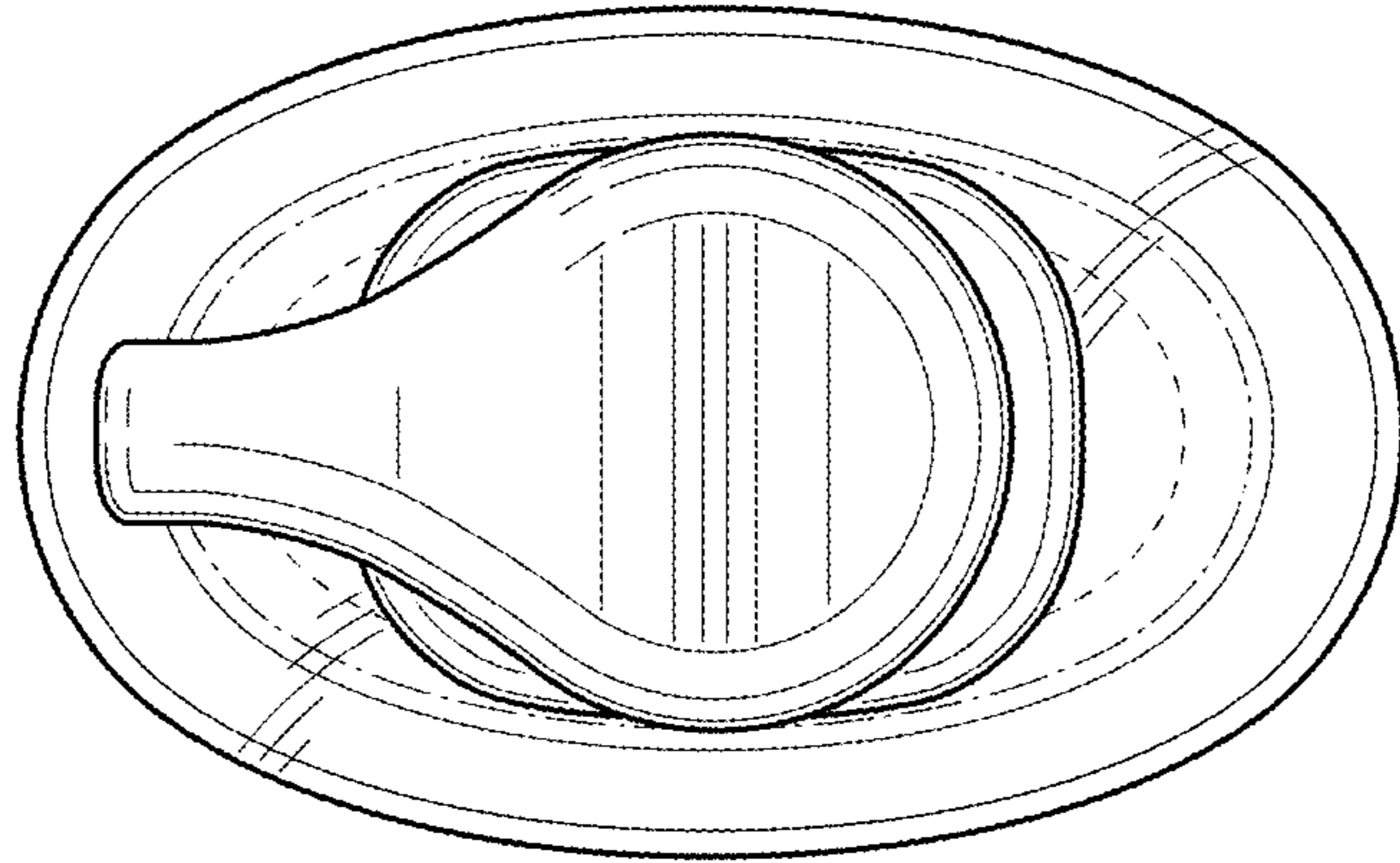


FIG. 6

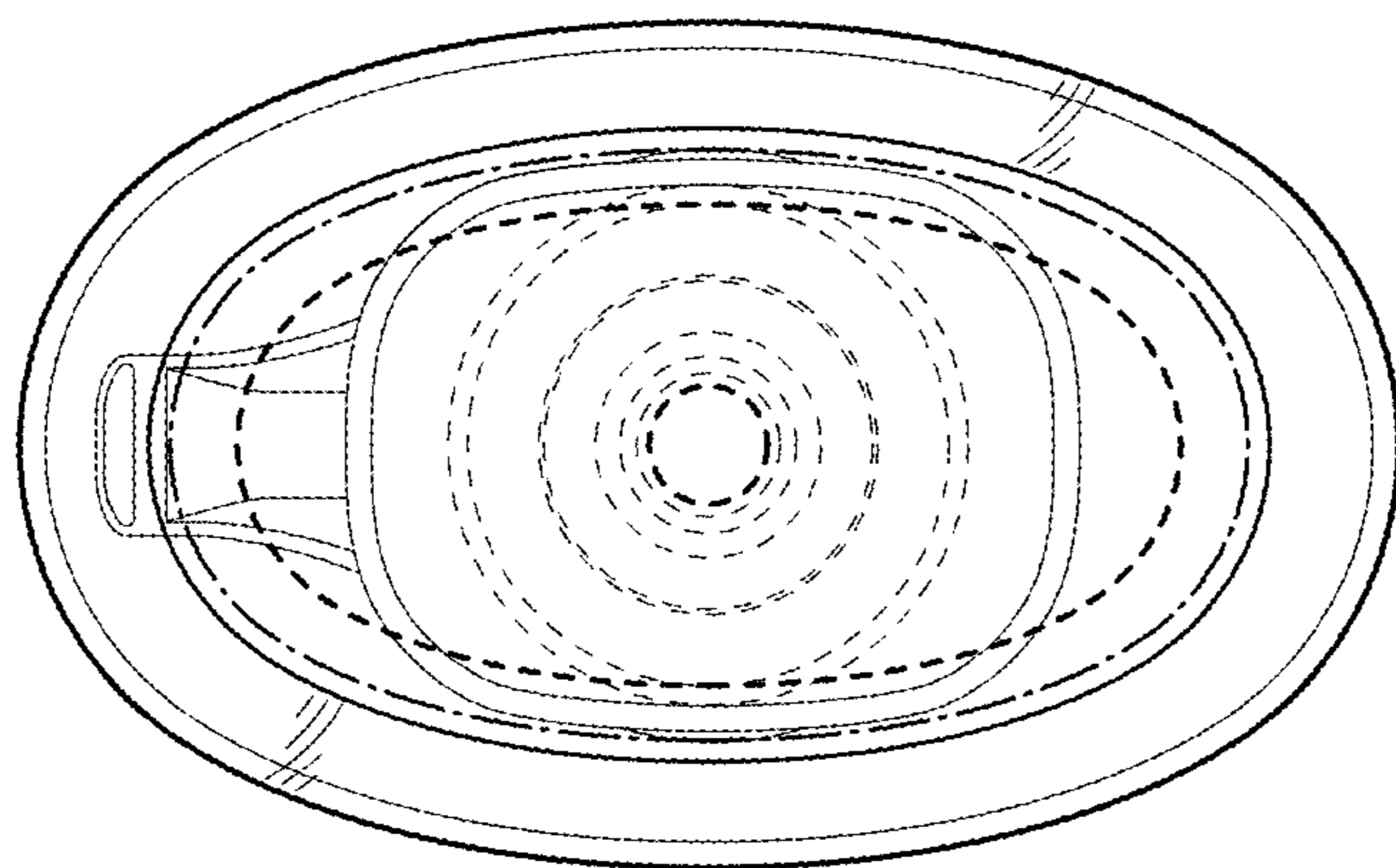


FIG. 7

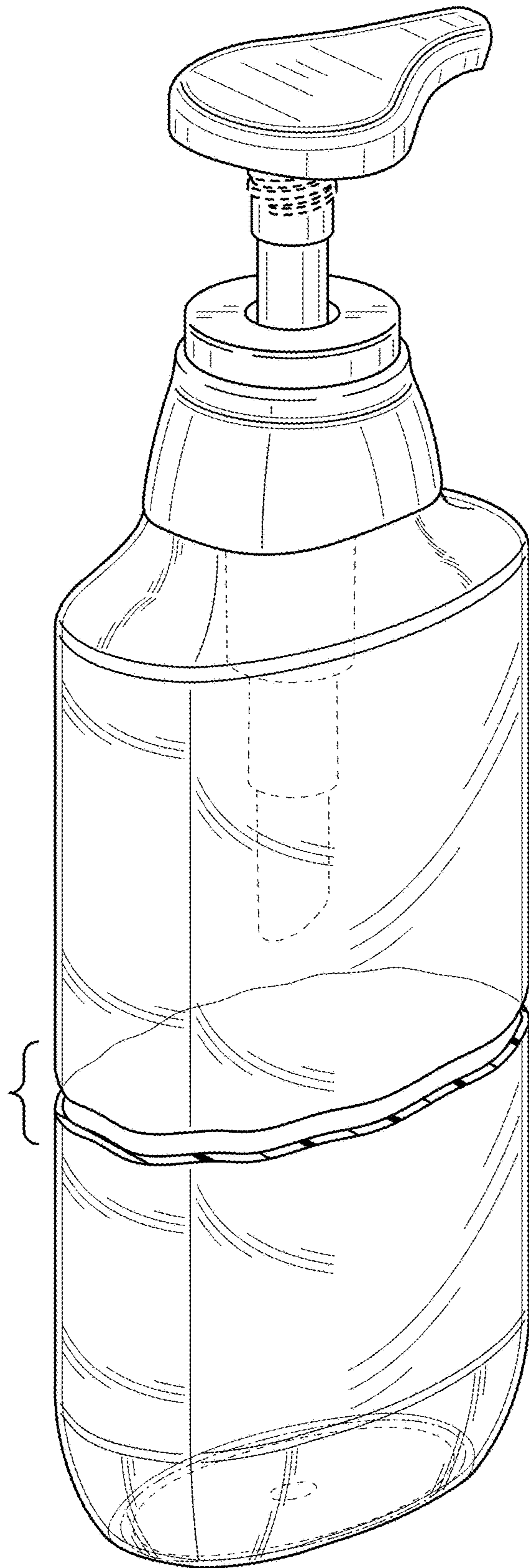


FIG. 8