



US00D778997S

(12) **United States Design Patent** (10) **Patent No.:** **US D778,997 S**  
**Xu** (45) **Date of Patent:** **\*\* Feb. 14, 2017**

(54) **COMPACT EXERCISE BIKE**

\* cited by examiner

(71) Applicant: **Zhejiang JinBang Sports Equipment Co., Ltd.**, Lishui, Zhejiang (CN)

*Primary Examiner* — Robert M Spear  
*Assistant Examiner* — Ryan Harvey

(72) Inventor: **Yongqiang Xu**, Zhejiang (CN)

(73) Assignee: **Zhejiang JinBang Sports Equipment Co., Ltd.** (CN)

(57) **CLAIM**

The ornamental design for a compact exercise bike, as shown and described.

(\*\*) Term: **15 Years**

(21) Appl. No.: **29/529,834**

(22) Filed: **Jun. 10, 2015**

**DESCRIPTION**

(51) **LOC (10) Cl.** ..... **21-02**

(52) **U.S. Cl.**  
USPC ..... **D21/663**

(58) **Field of Classification Search**  
USPC ..... D21/663, 667, 666, 697, 694, 665,  
668,D21/664; 482/61, 57, 58, 127, 133,  
51, 9, 60, 482/904, 8, 1, 900, 63, 908;  
188/24.11; 74/502.4, 502.6, 551.1, 551.8;  
248/44.1, 248/205.1; D8/303; D12/178,  
411  
CPC ... A63B 22/0605; A63B 69/16; A63B 21/225;  
Y10T 74/2078; Y10T 74/20822  
See application file for complete search history.

FIG. 1 is a perspective view of the compact exercise bike showing my new design, wherein the compact exercise bike is in an operating position;  
FIG. 2 is another perspective view thereof;  
FIG. 3 is a front elevation view thereof;  
FIG. 4 is a back elevation view thereof;  
FIG. 5 is a left elevation view thereof;  
FIG. 6 is a right elevation view thereof;  
FIG. 7 is a top view thereof;  
FIG. 8 is a bottom view thereof;  
FIG. 9 is a perspective view of the compact exercise bike showing my new design, wherein the compact exercise bike is in a folded position;  
FIG. 10 is another perspective view thereof;  
FIG. 11 is a front elevation view thereof;  
FIG. 12 is a back elevation view thereof;  
FIG. 13 is a left elevation view thereof;  
FIG. 14 is a right elevation view thereof;  
FIG. 15 is a top view thereof; and,  
FIG. 16 is a bottom view thereof.

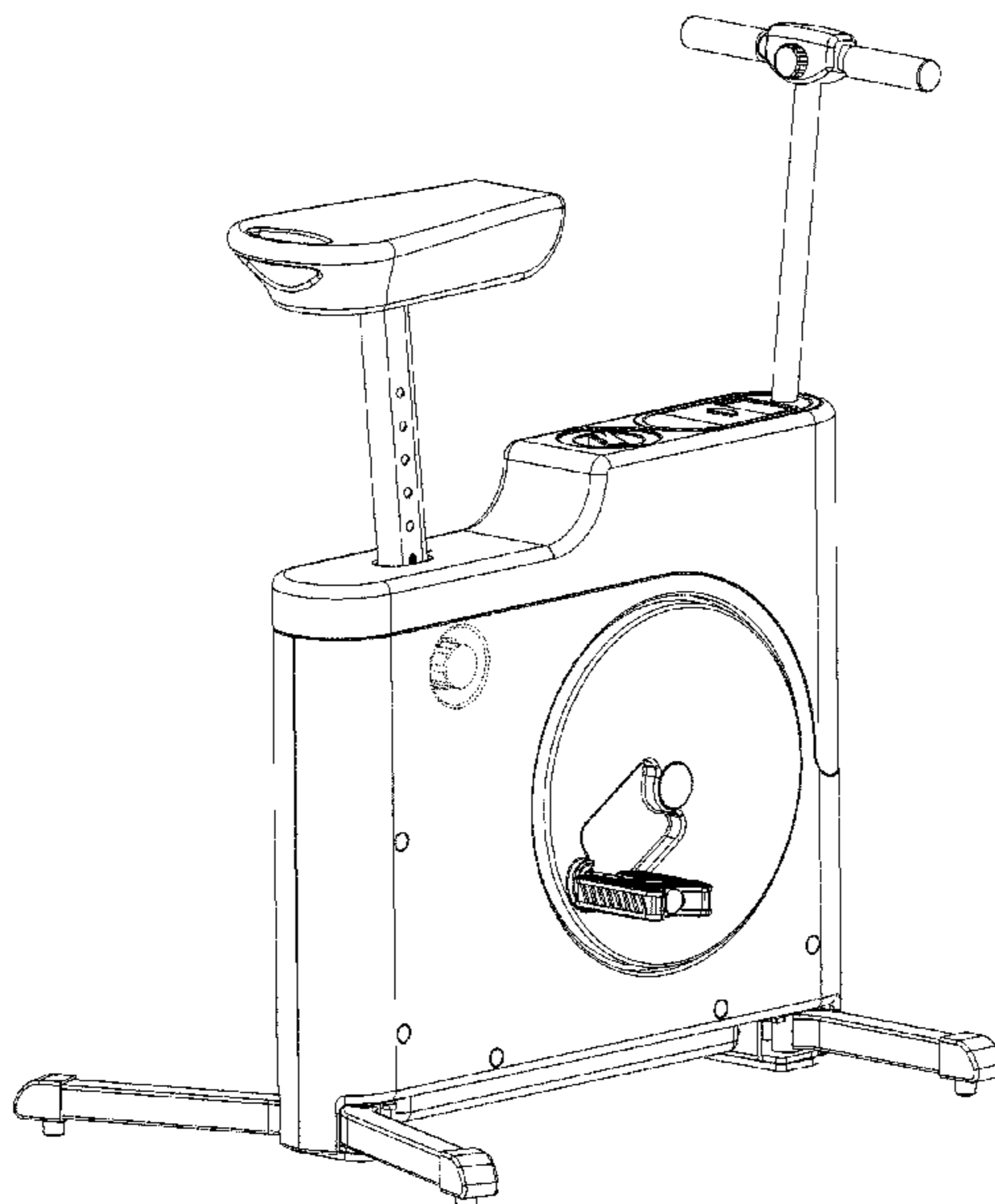
The broken line showing of portions of the compact exercise device depicts environment and forms no part of the claim.

(56) **References Cited**

**U.S. PATENT DOCUMENTS**

D298,267 S *	10/1988	Nakao	.....	D21/663
D299,670 S *	1/1989	Lin	.....	D21/663
D310,697 S *	9/1990	Kagayama	.....	D21/663
D366,298 S *	1/1996	Wu	.....	D21/663
8,920,292 B1 *	12/2014	Myers	.....	A63B 22/0605 482/57
2014/0287883 A1 *	9/2014	Decca	.....	A63B 22/0694 482/57

**1 Claim, 16 Drawing Sheets**



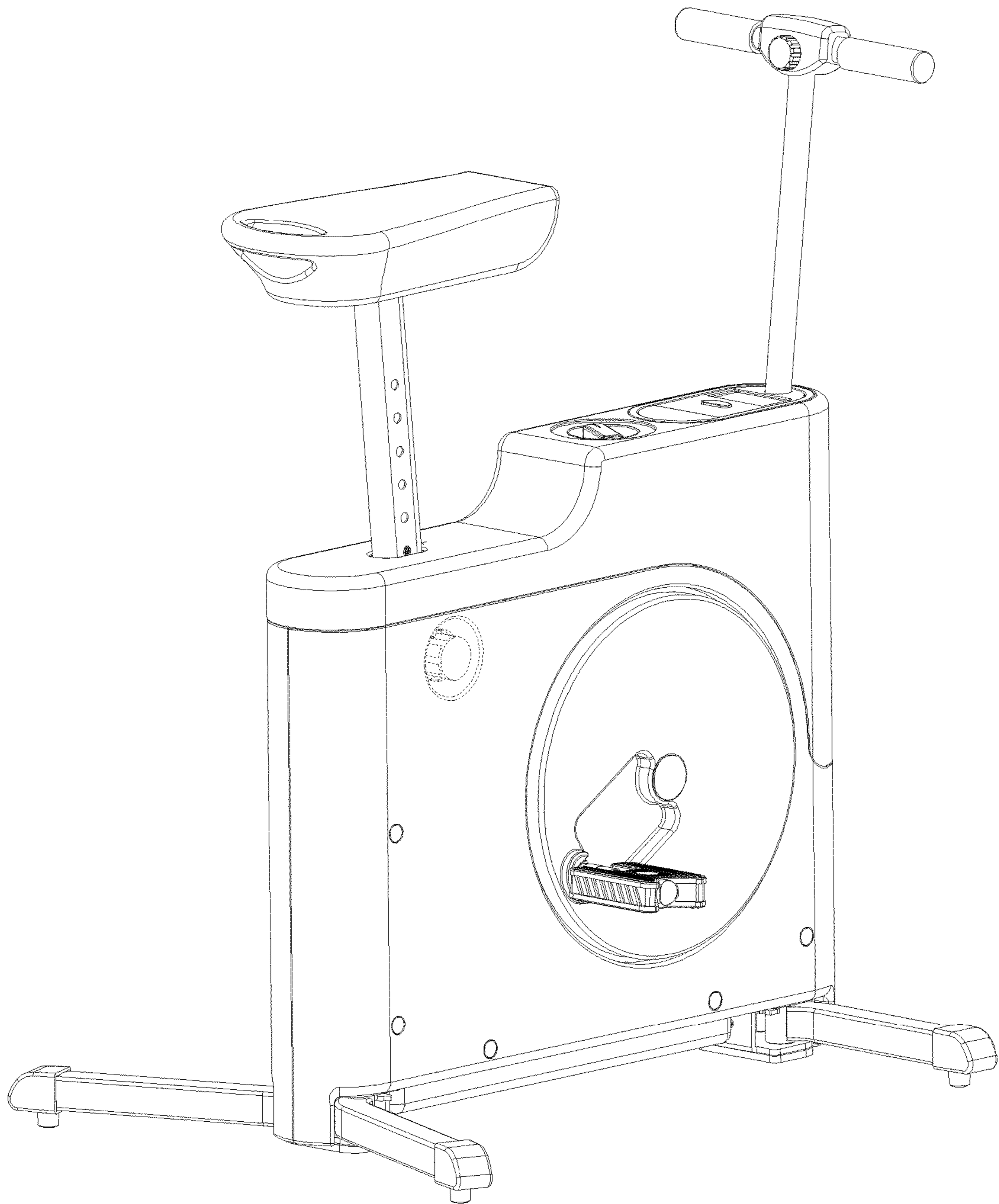


Fig. 1

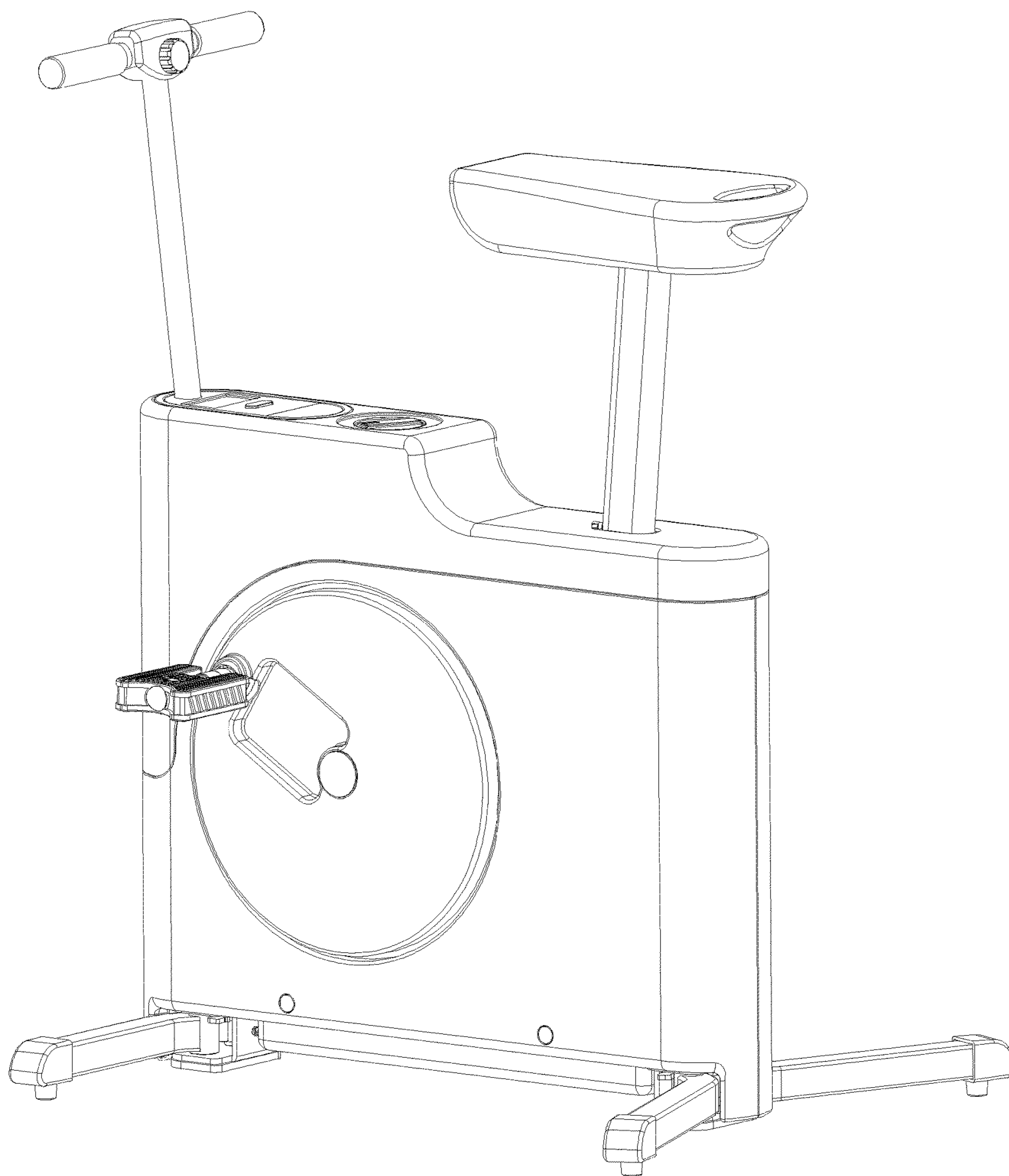


Fig. 2

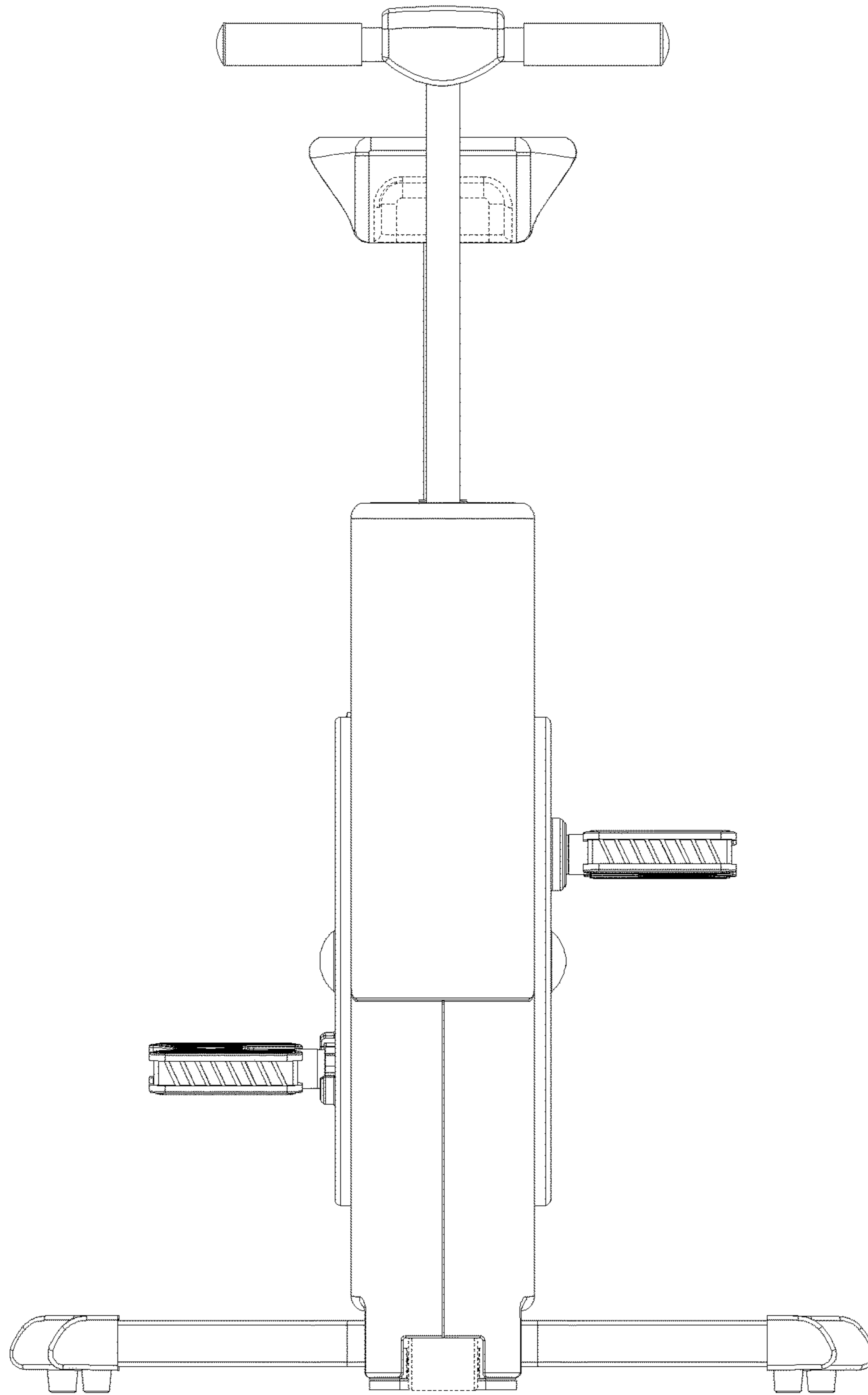


Fig. 3

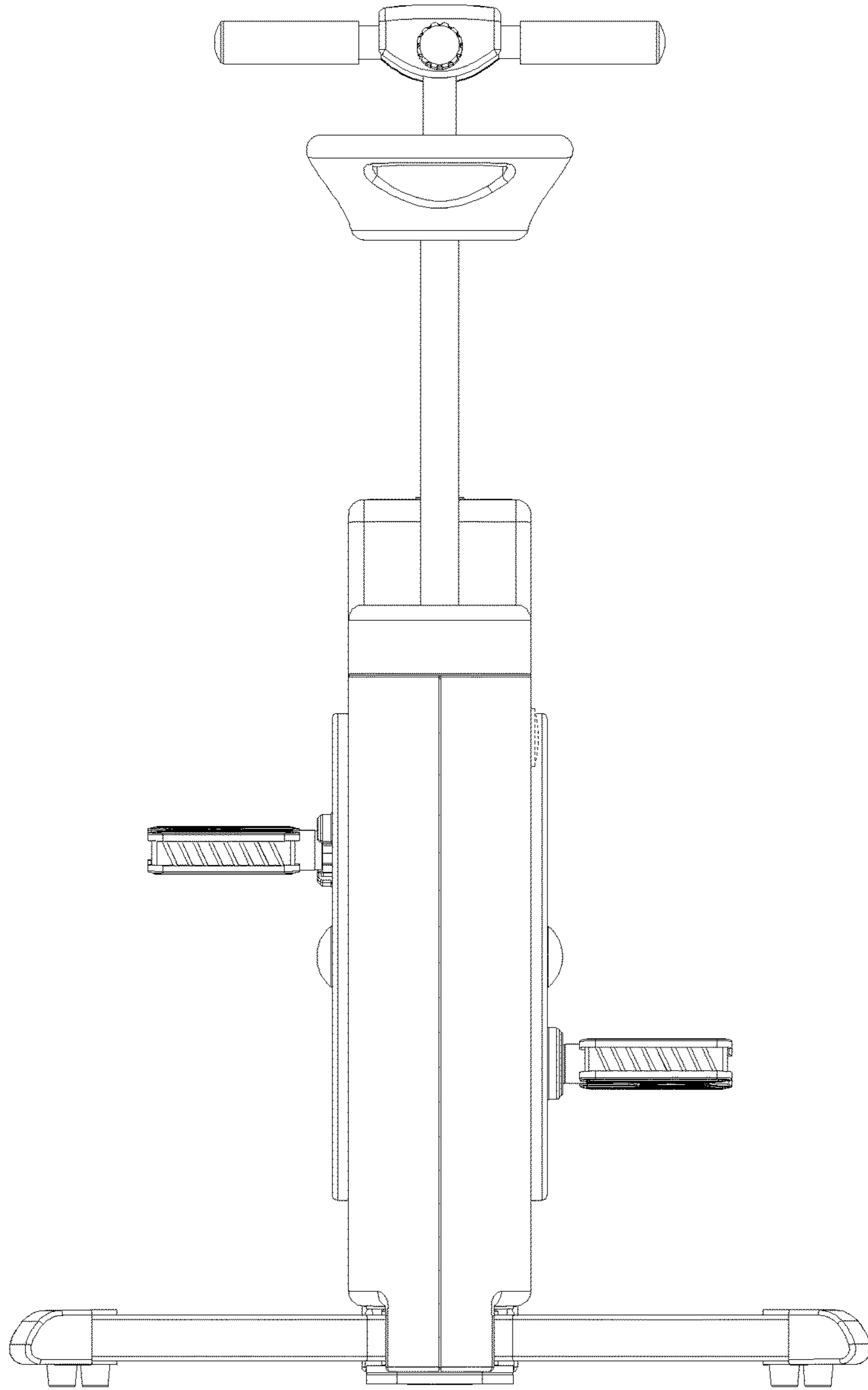


Fig. 4

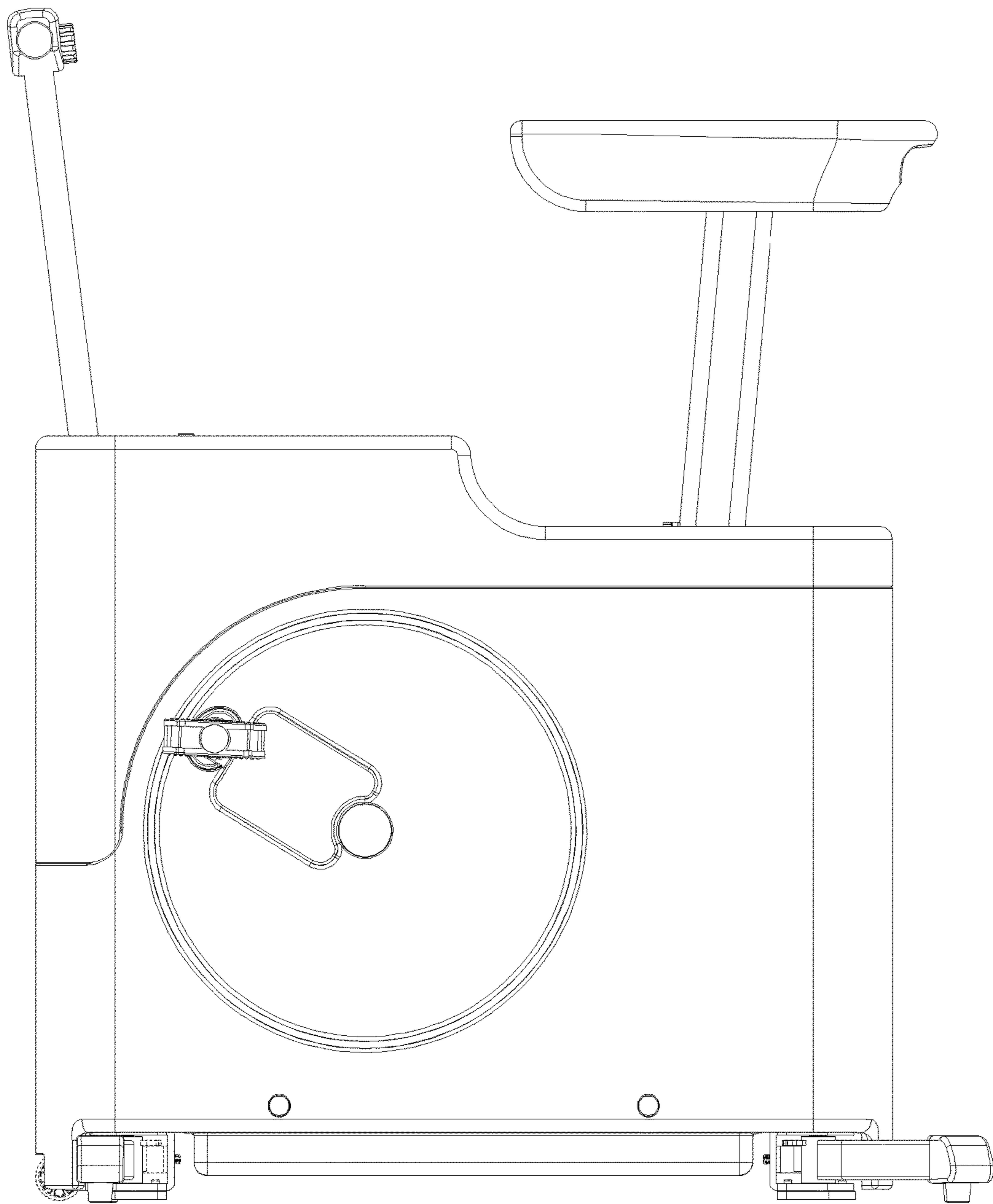


Fig. 5

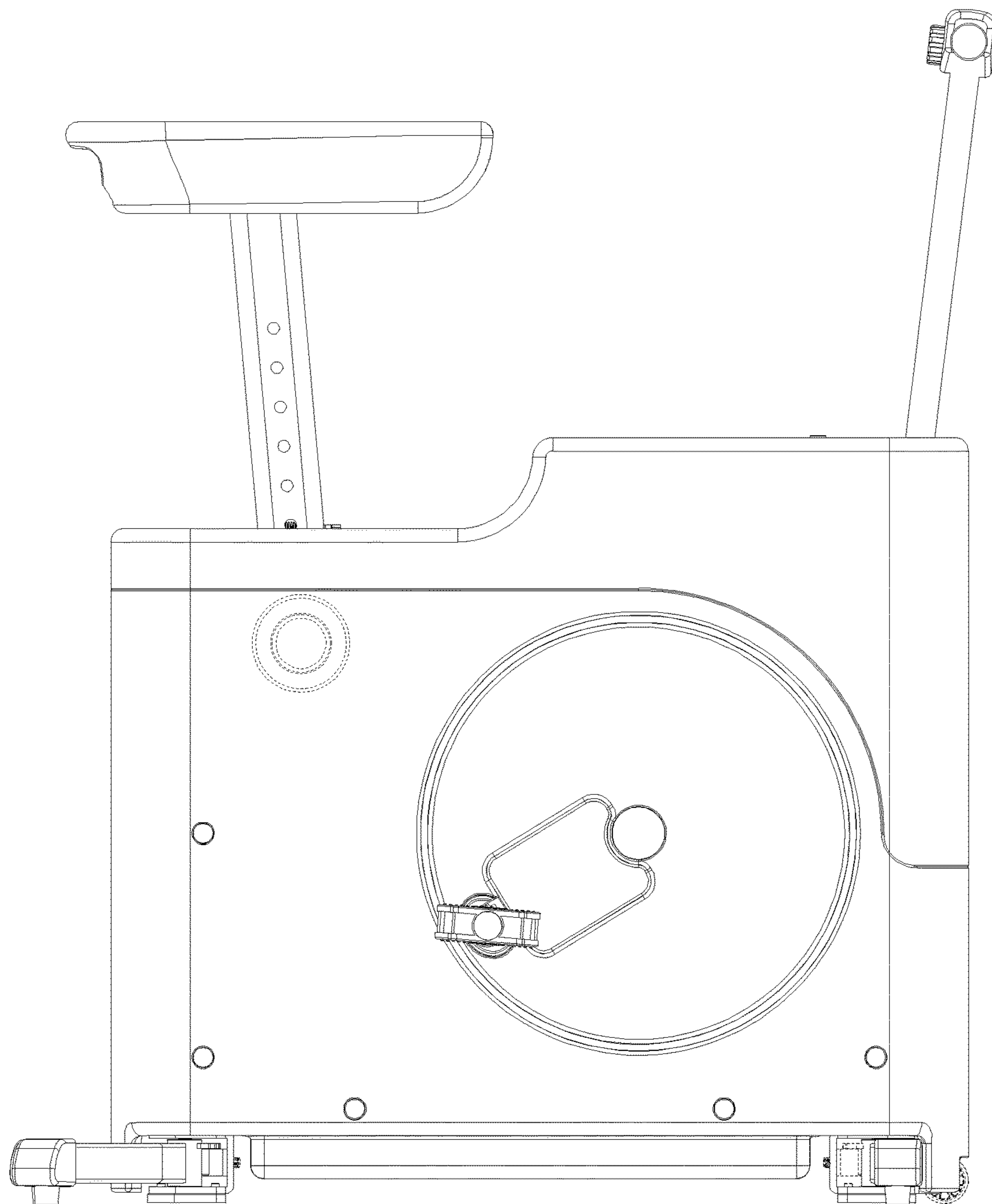


Fig. 6

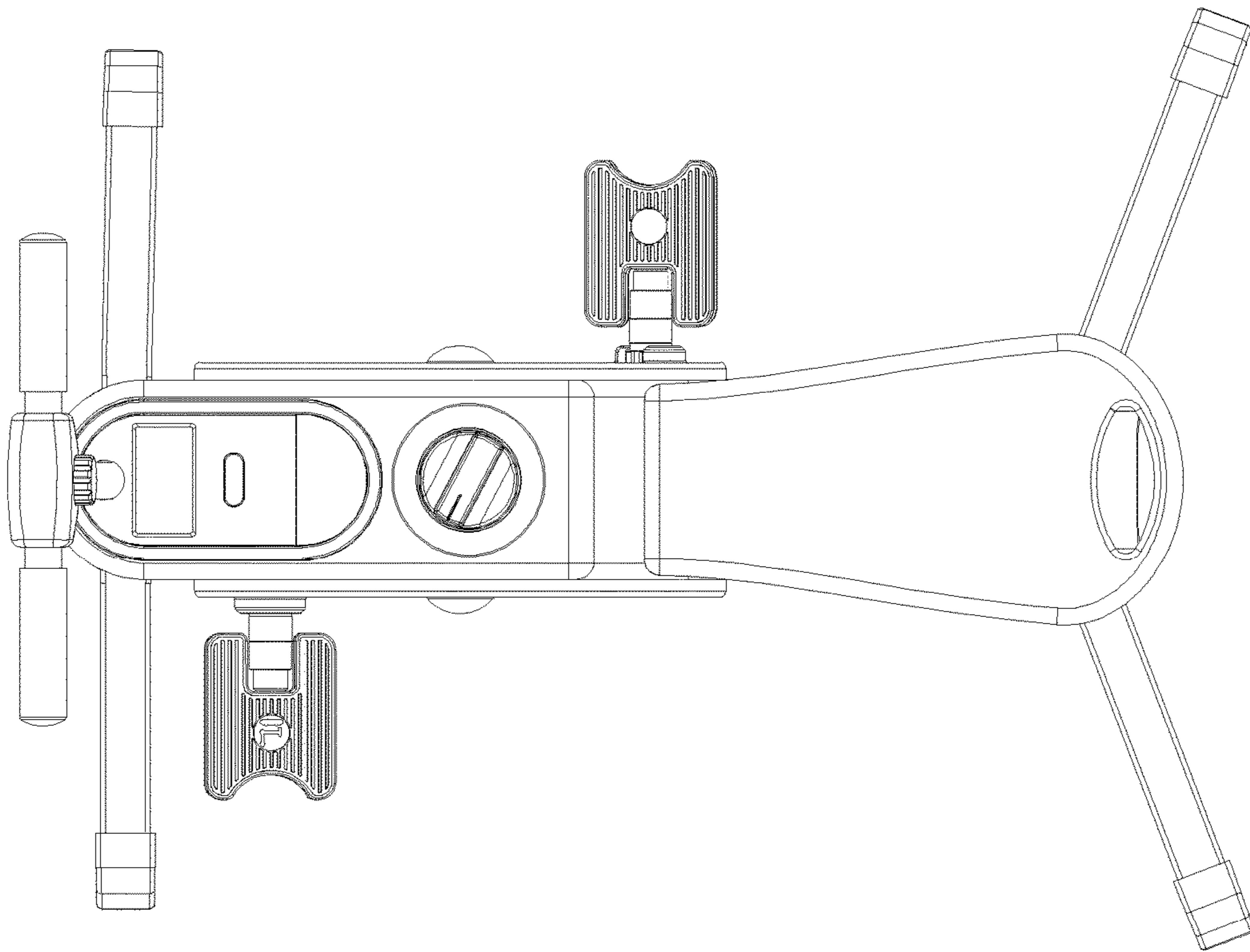


Fig. 7



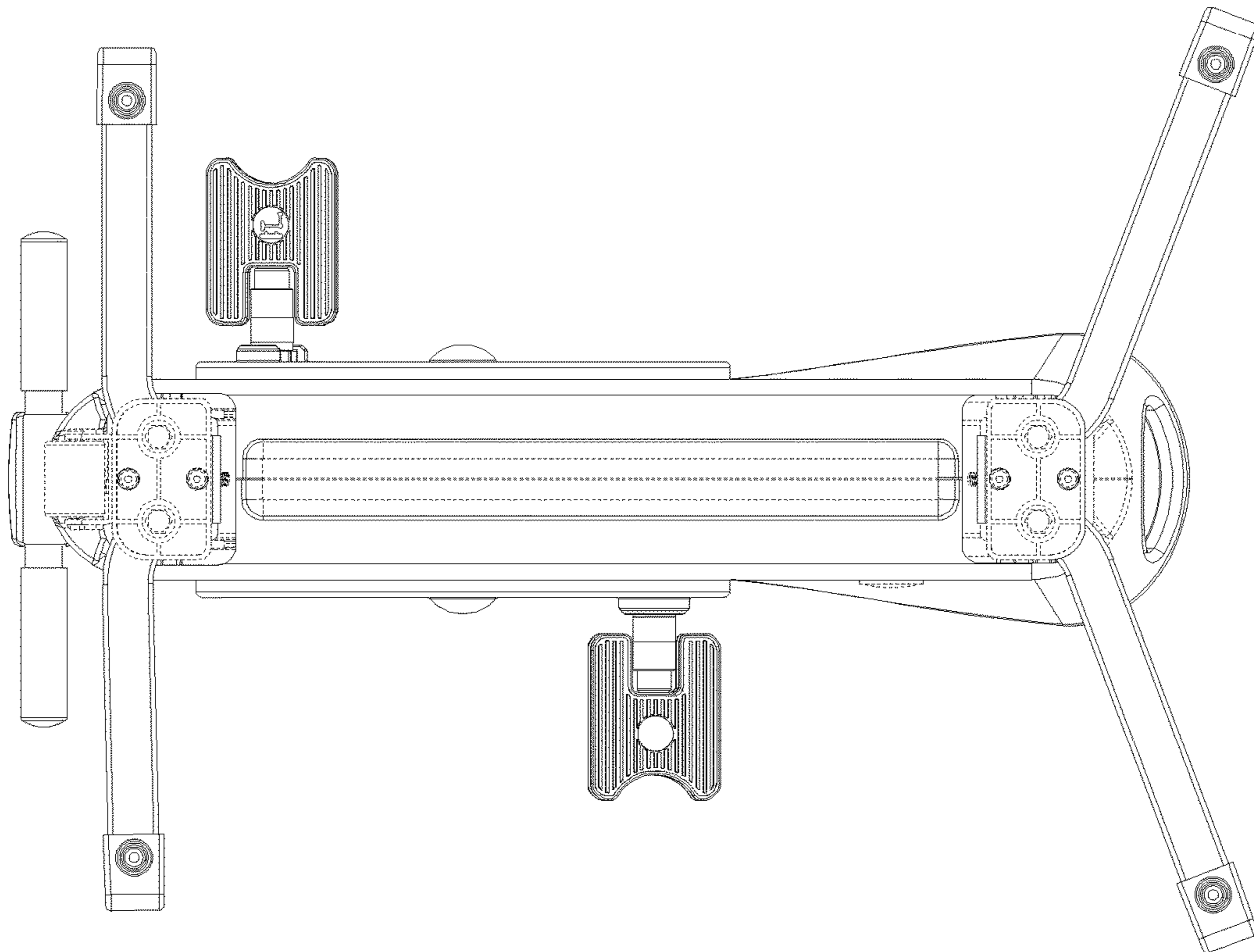


Fig. 8

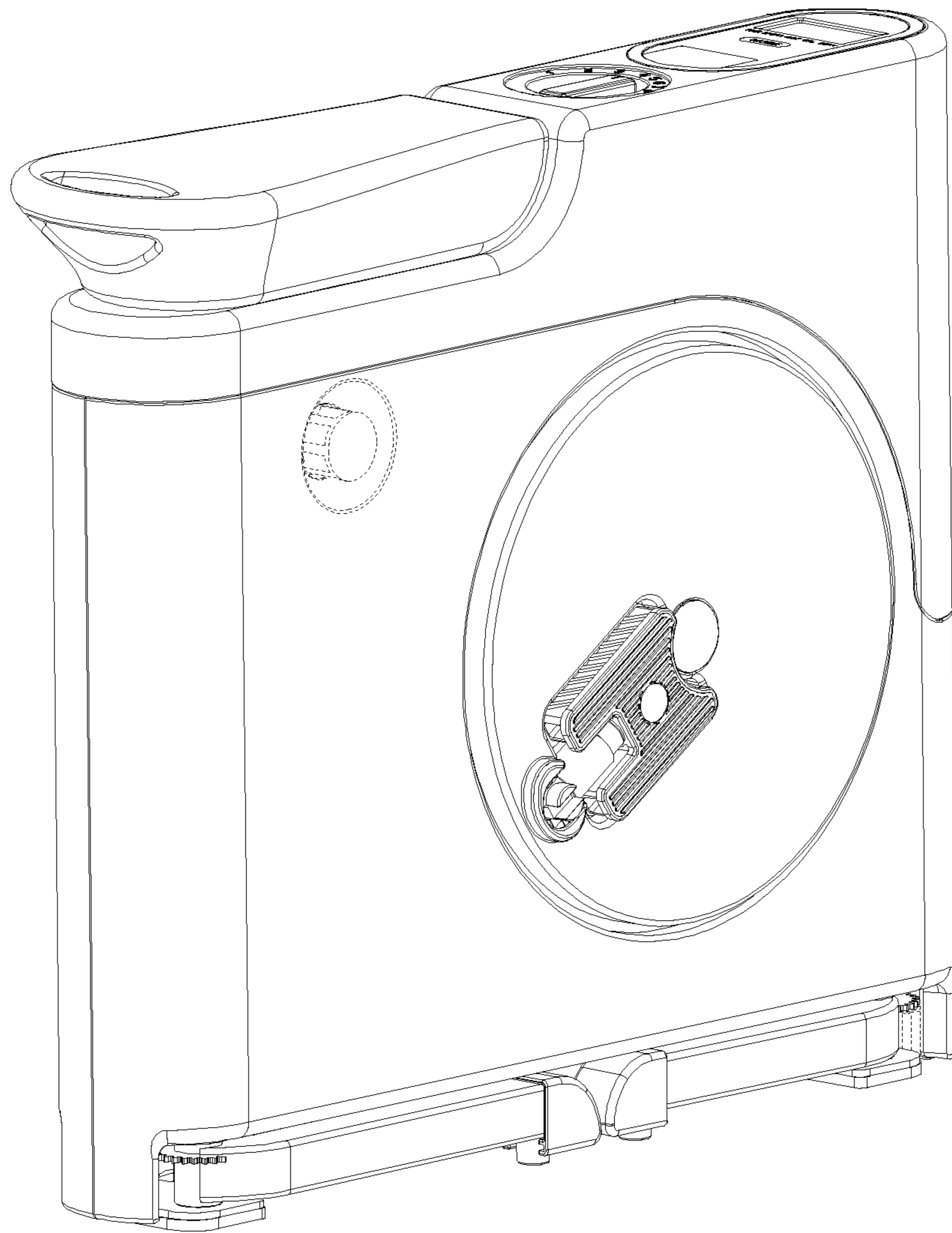


Fig. 9

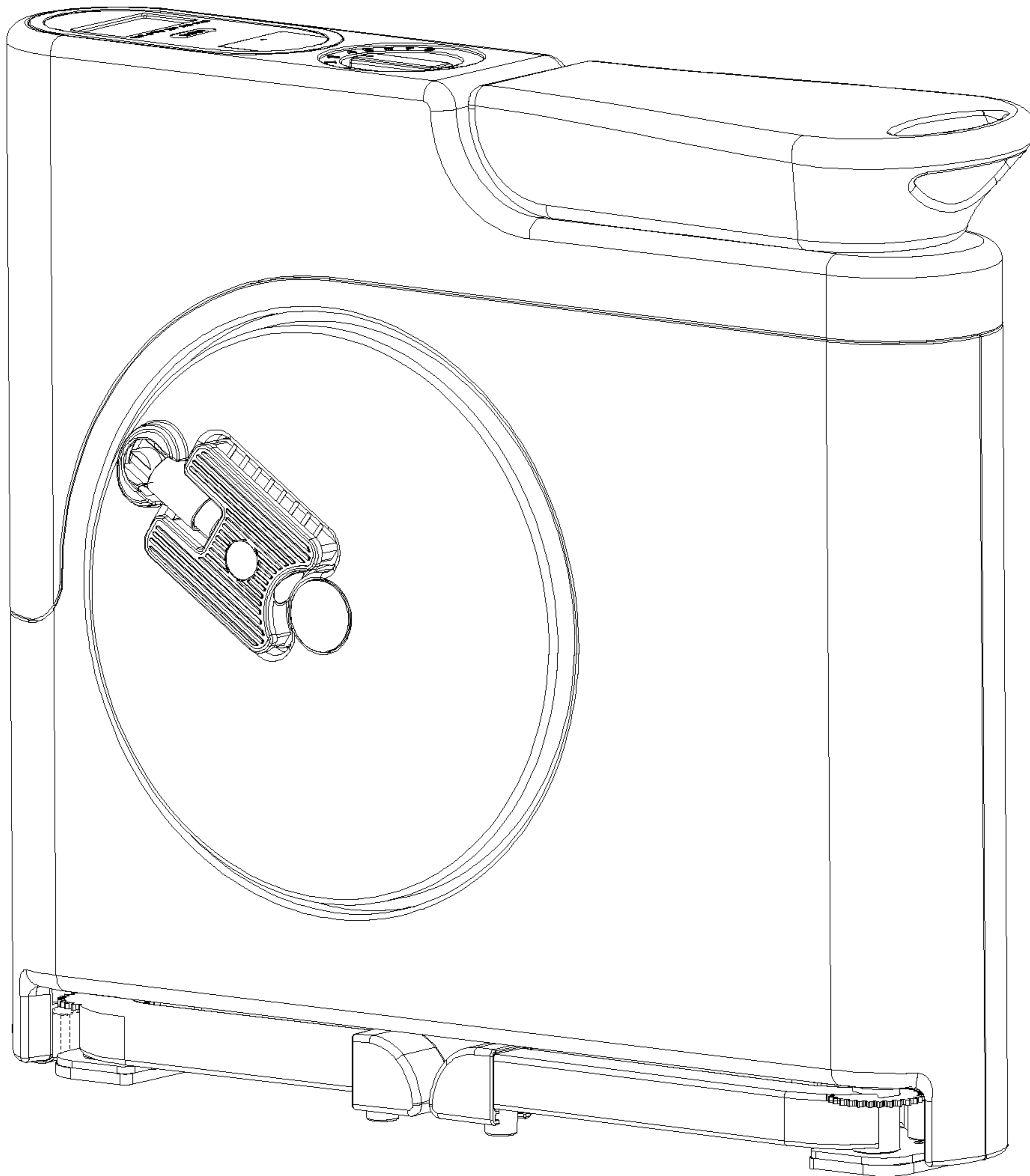


Fig. 10

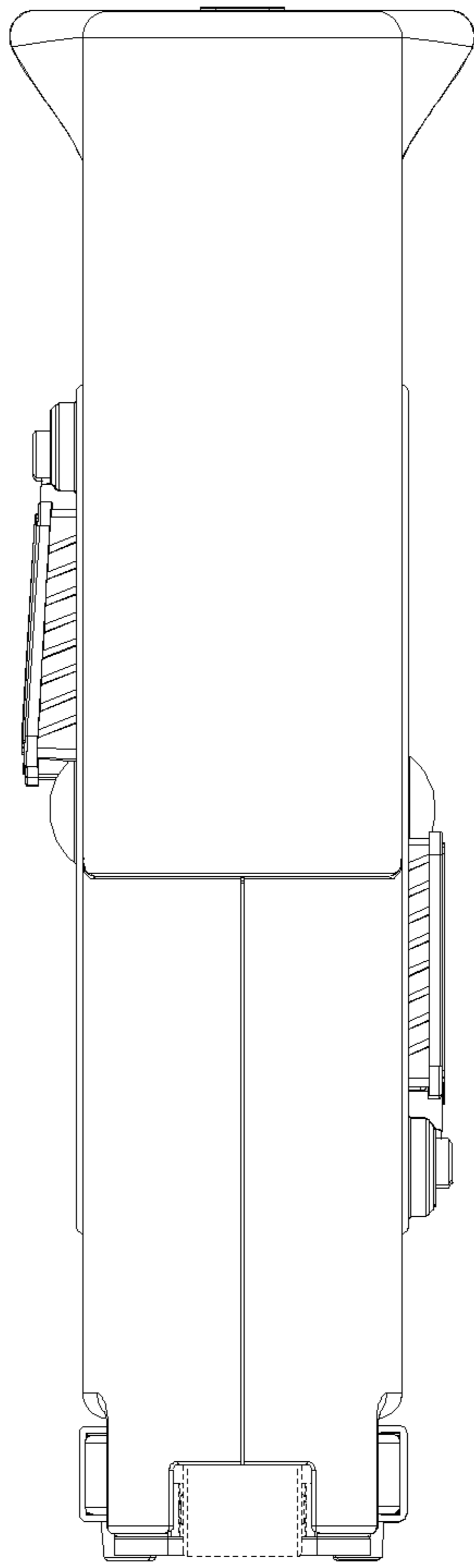


Fig. 11

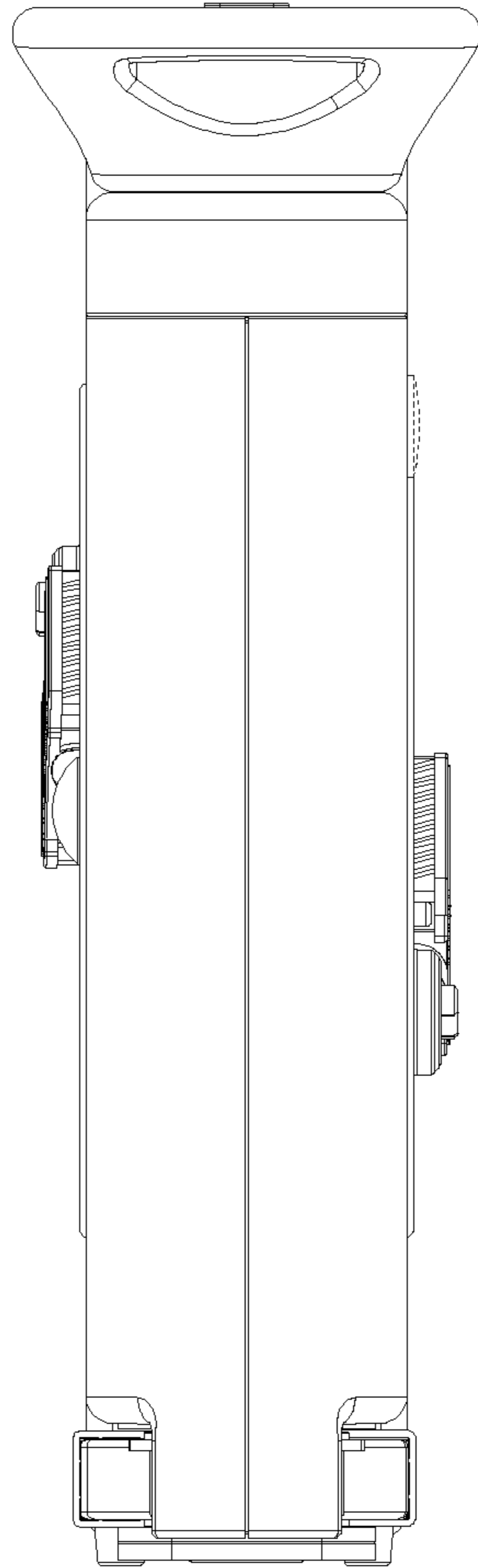


Fig. 12

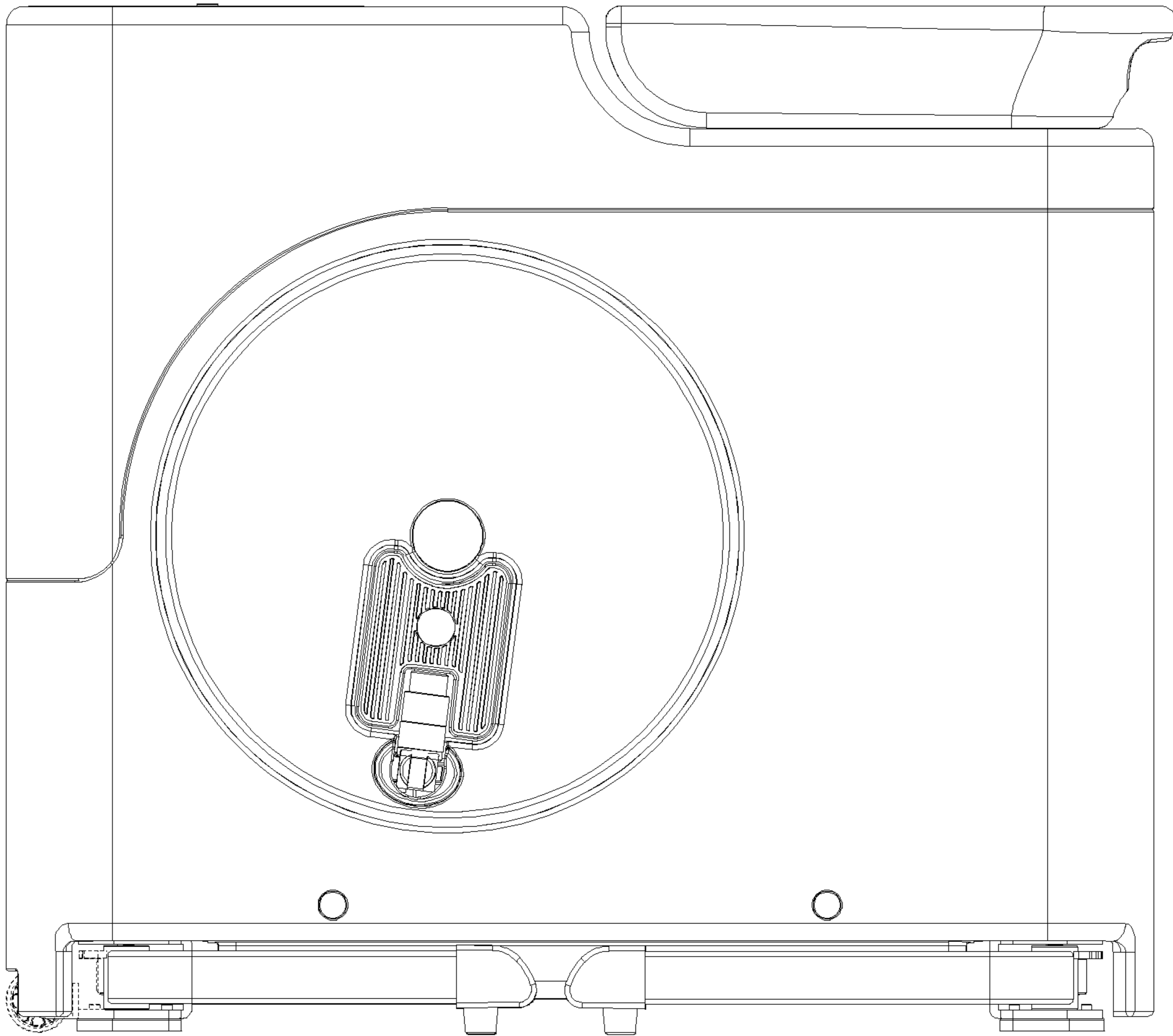


Fig. 13

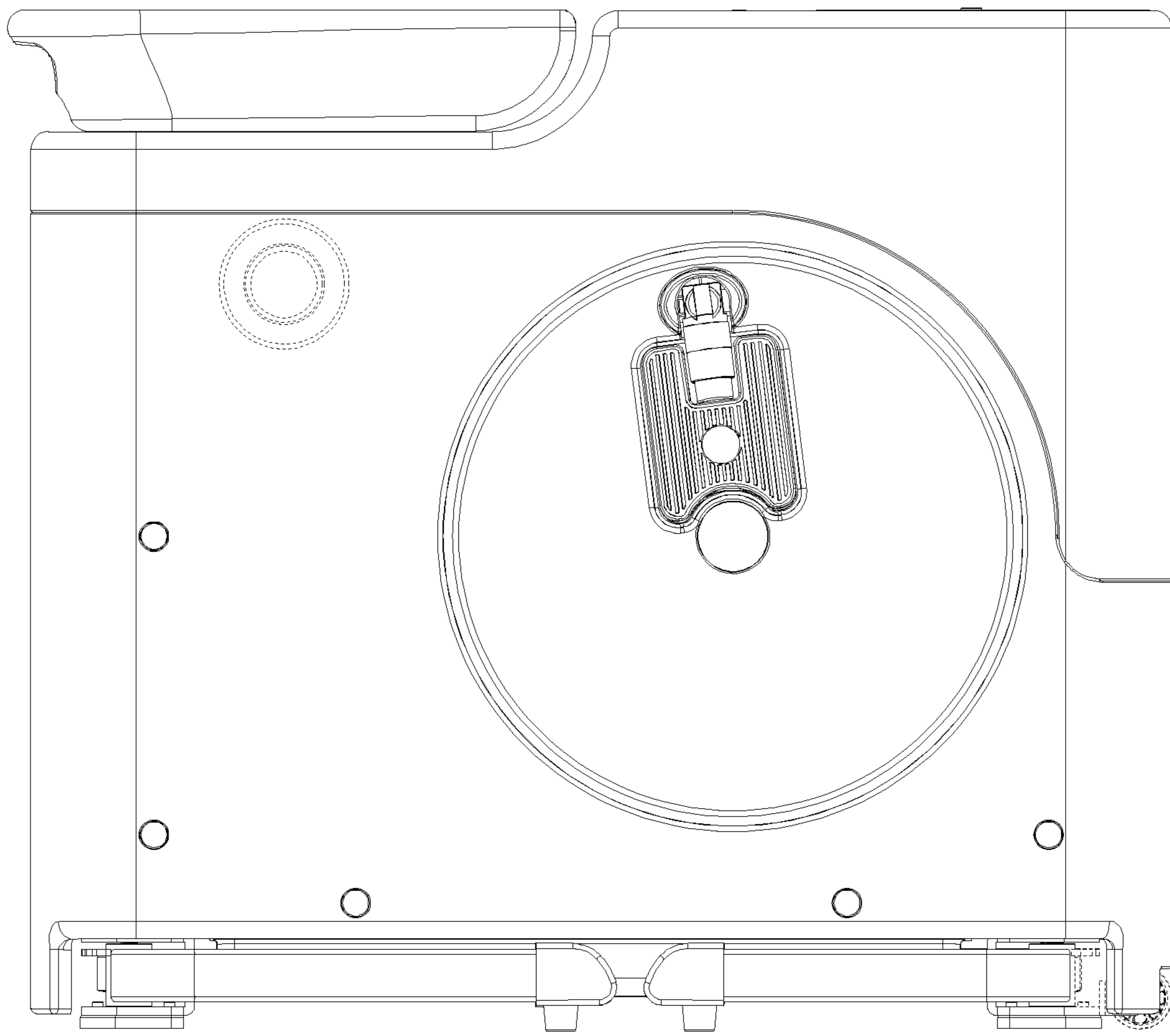


Fig. 14

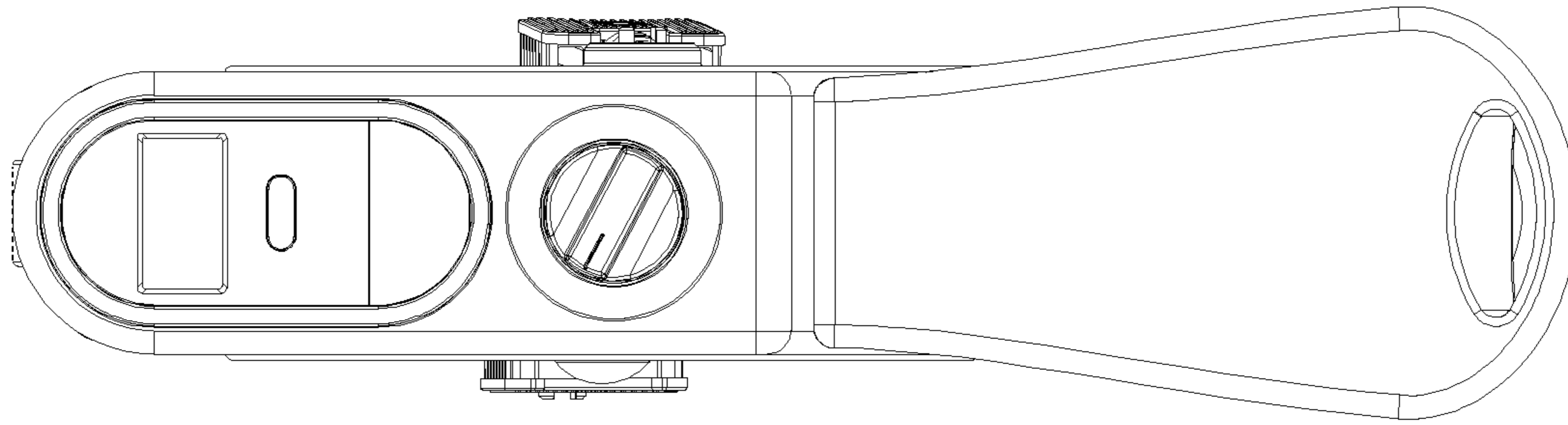


Fig. 15



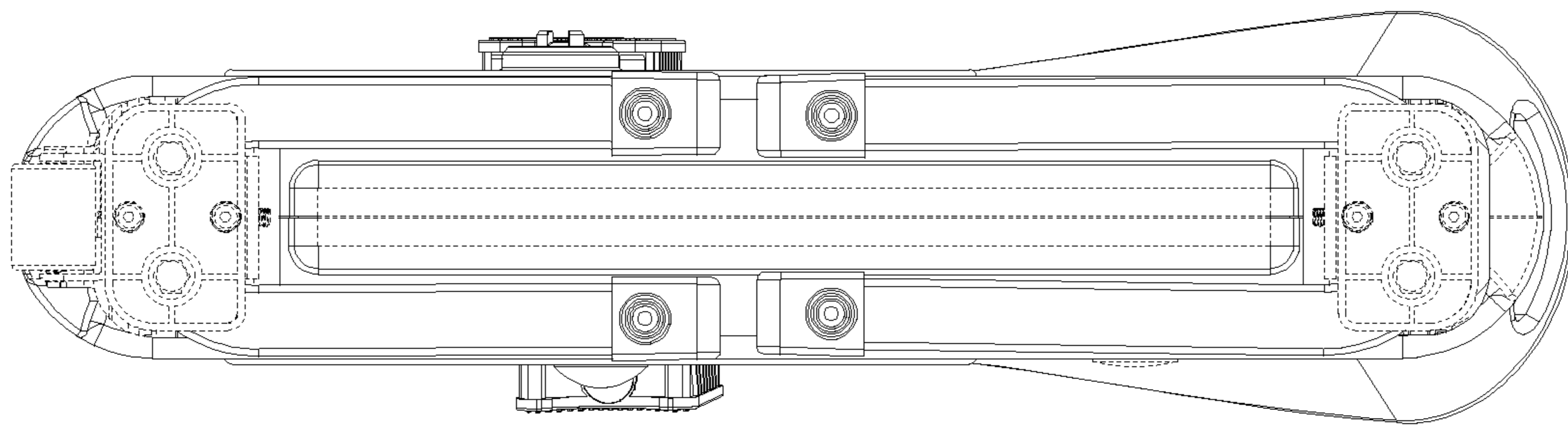


Fig. 16