



US00D778992S

(12) **United States Design Patent**
Stein

(10) **Patent No.:** **US D778,992 S**

(45) **Date of Patent:** **** Feb. 14, 2017**

(54) **MODULAR PUMP HANDLE**

7,640,927 B1 * 1/2010 Broersma F41B 11/52
124/73

(71) Applicant: **Joseph E. Stein**, Chino, CA (US)

* cited by examiner

(72) Inventor: **Joseph E. Stein**, Chino, CA (US)

Primary Examiner — Michael A Pratt

(**) Term: **14 Years**

(74) *Attorney, Agent, or Firm* — Quickpatents, LLC;
Kevin Prince

(21) Appl. No.: **29/524,382**

(22) Filed: **Apr. 20, 2015**

(51) **LOC (10) Cl.** **21-01**

(52) **U.S. Cl.**
USPC **D21/573**

(58) **Field of Classification Search**

USPC D21/570–575; D14/418; D22/108
CPC F41C 23/12; F41C 23/16; F41C 23/20;
F41C 27/00; F41B 11/70; F41B
11/62; F41B 11/721; F41B 11/723; F41B
11/00; F41B 11/722; F41B 11/89

See application file for complete search history.

(56) **References Cited**

U.S. PATENT DOCUMENTS

5,503,137 A * 4/1996 Fusco F41B 11/62
124/56
D532,836 S * 11/2006 Shih D21/573
D539,361 S * 3/2007 Orr D21/573

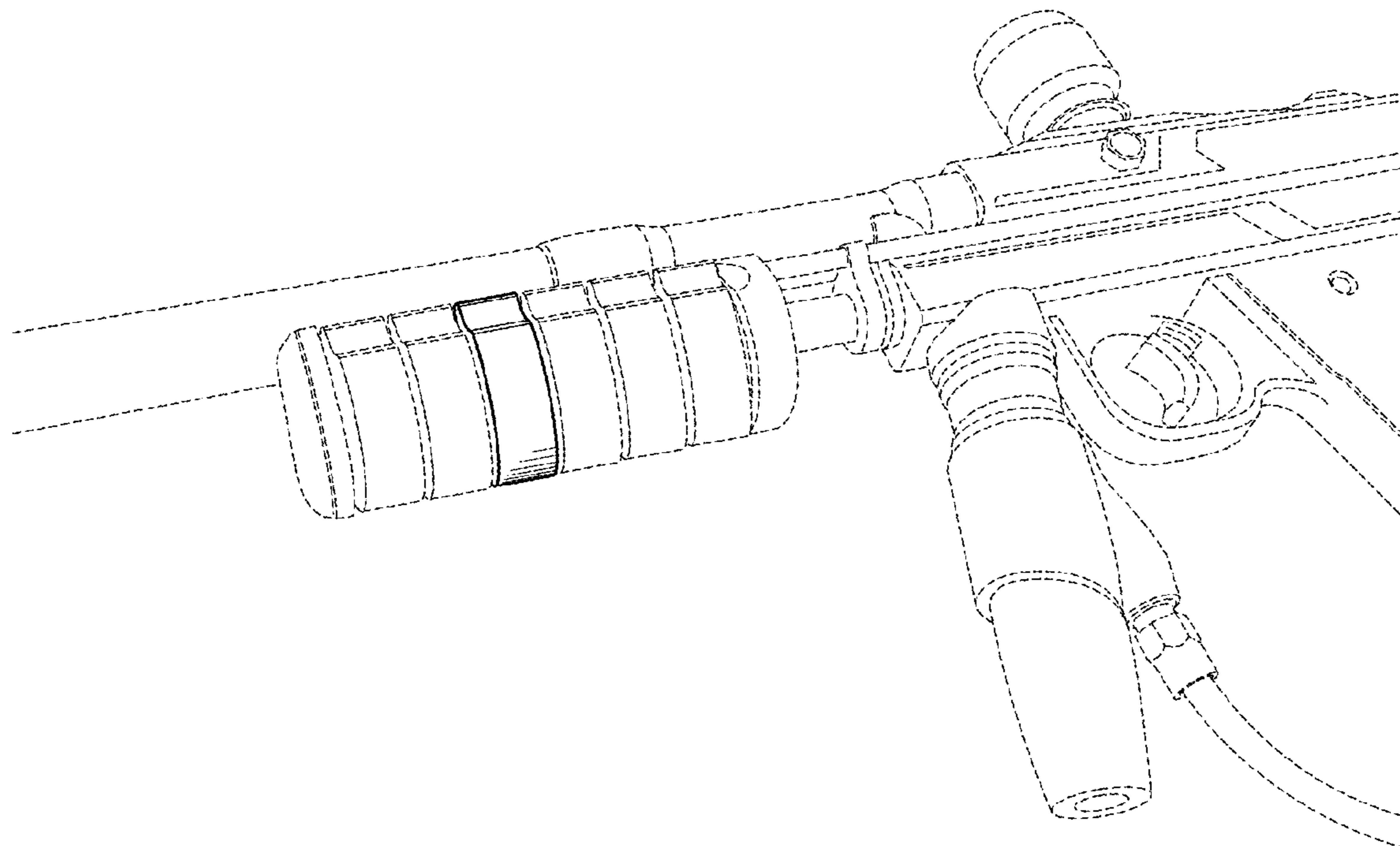
(57) **CLAIM**

I claim the ornamental design for a modular pump handle,
as shown and described.

DESCRIPTION

FIG. 1 is a perspective view of a modular pump handle,
showing my new design;
FIG. 2 is an enlarged front perspective view thereof;
FIG. 3 is a rear perspective view of FIG. 2;
FIG. 4 is a front elevational view of FIG. 2;
FIG. 5 is a rear elevational view of FIG. 2;
FIG. 6 is a left-side elevational view of FIG. 2, the right-side
elevational view being a mirror image thereof;
FIG. 7 is a top plan view of FIG. 2; and,
FIG. 8 is a bottom plan view of FIG. 2.
The broken lines showing a paintball gun in FIG. 1 depict
environmental matter and form no part of the claimed
design.

1 Claim, 4 Drawing Sheets



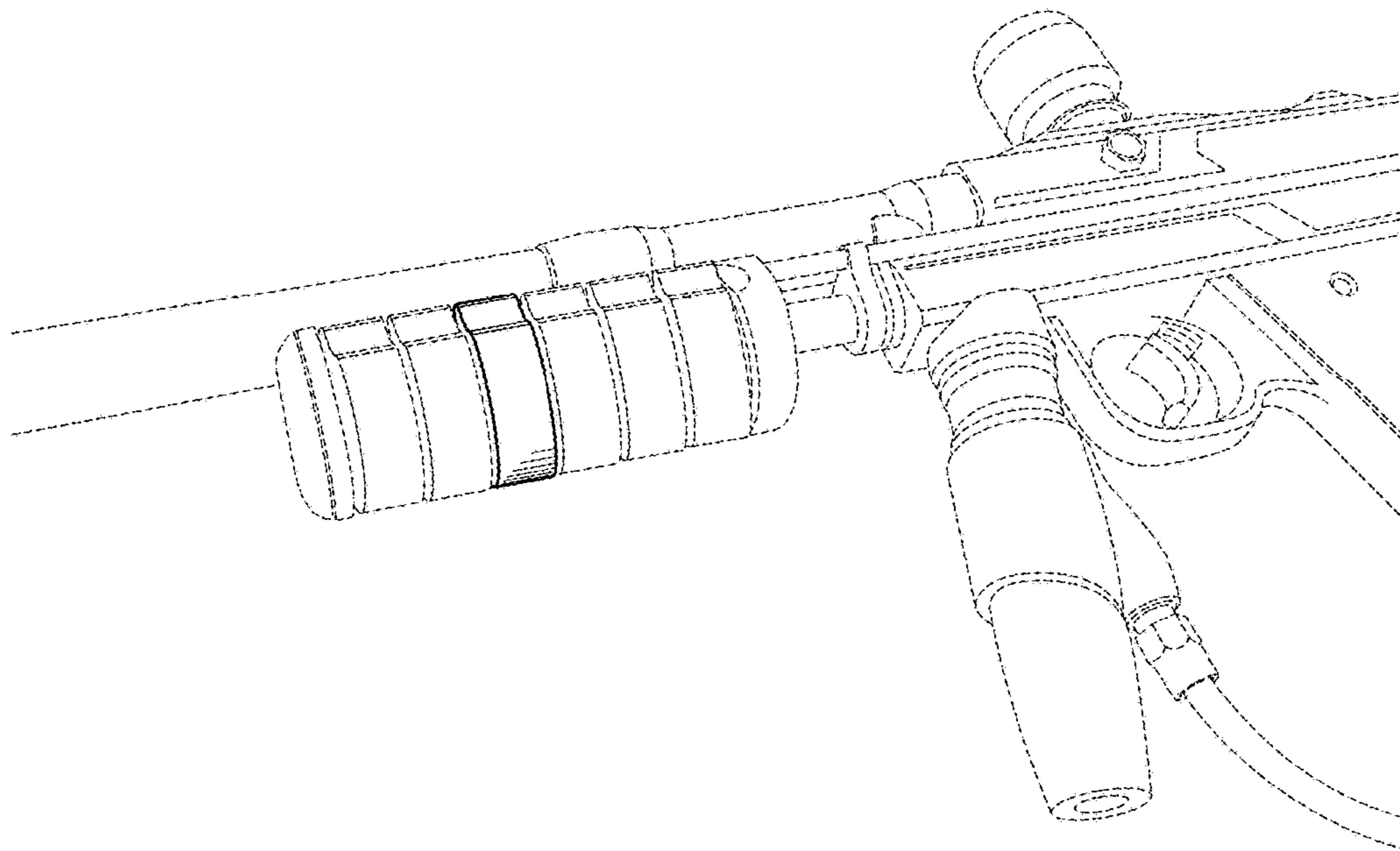


FIG. 1

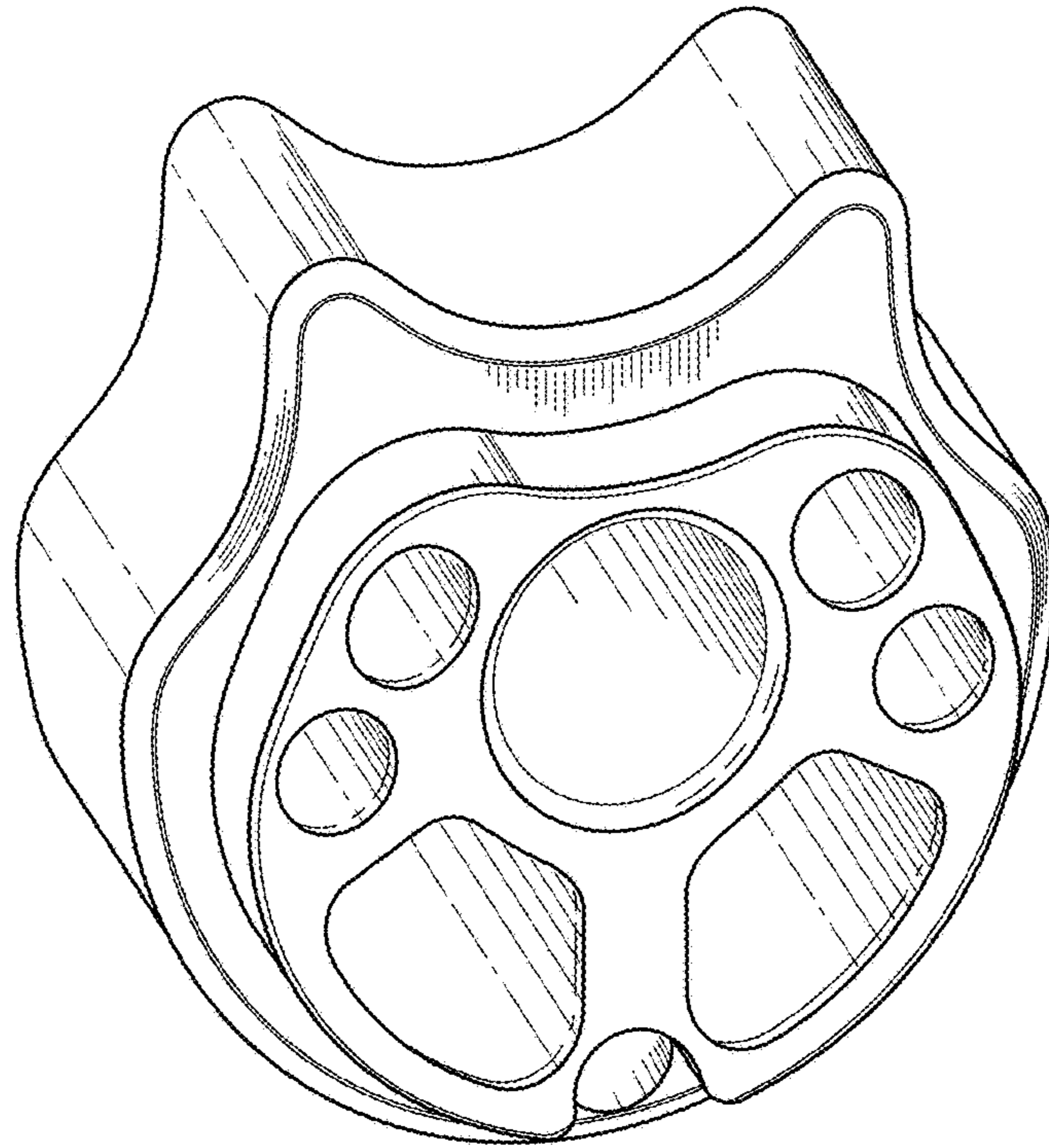


FIG. 2

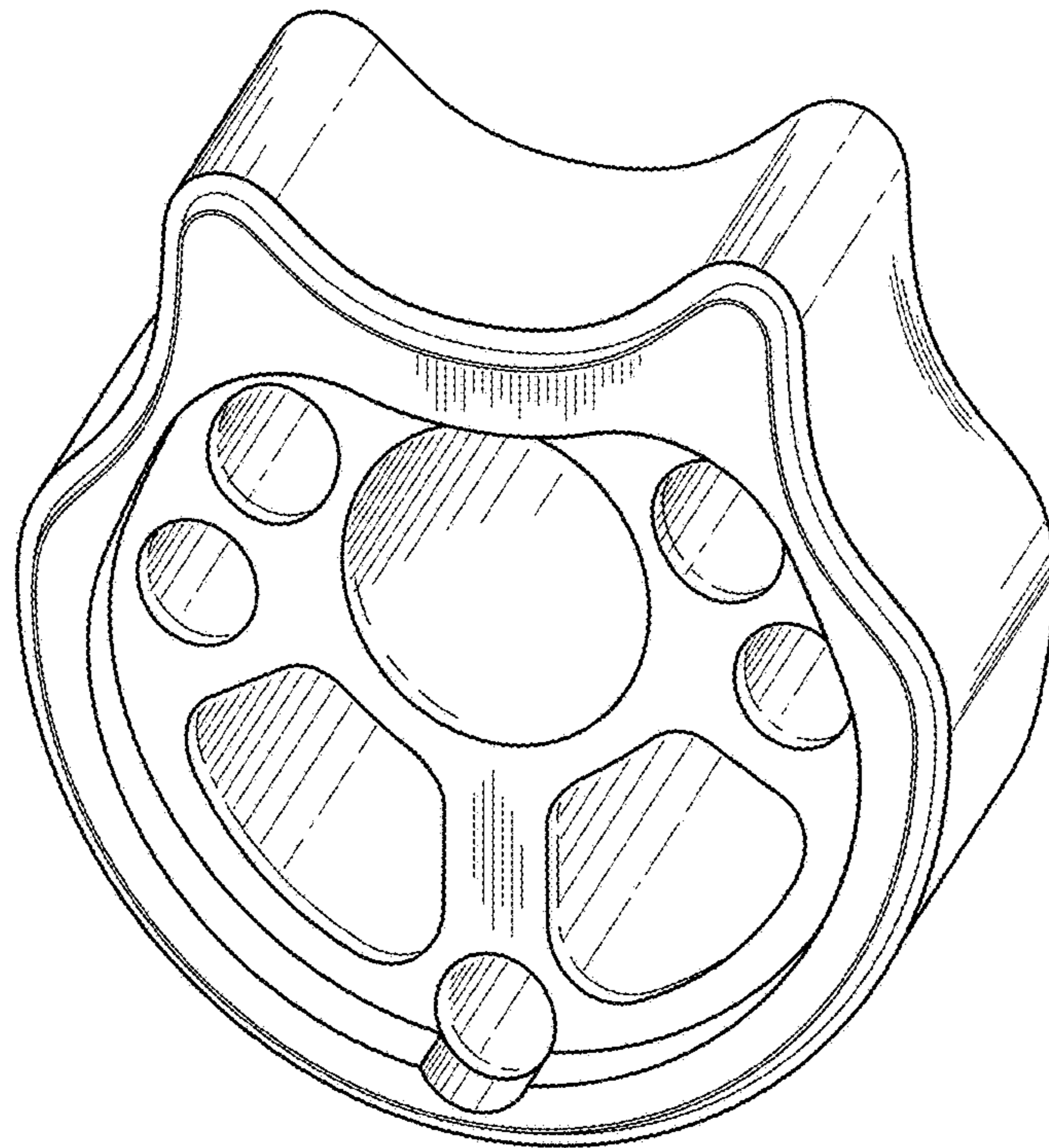


FIG. 3

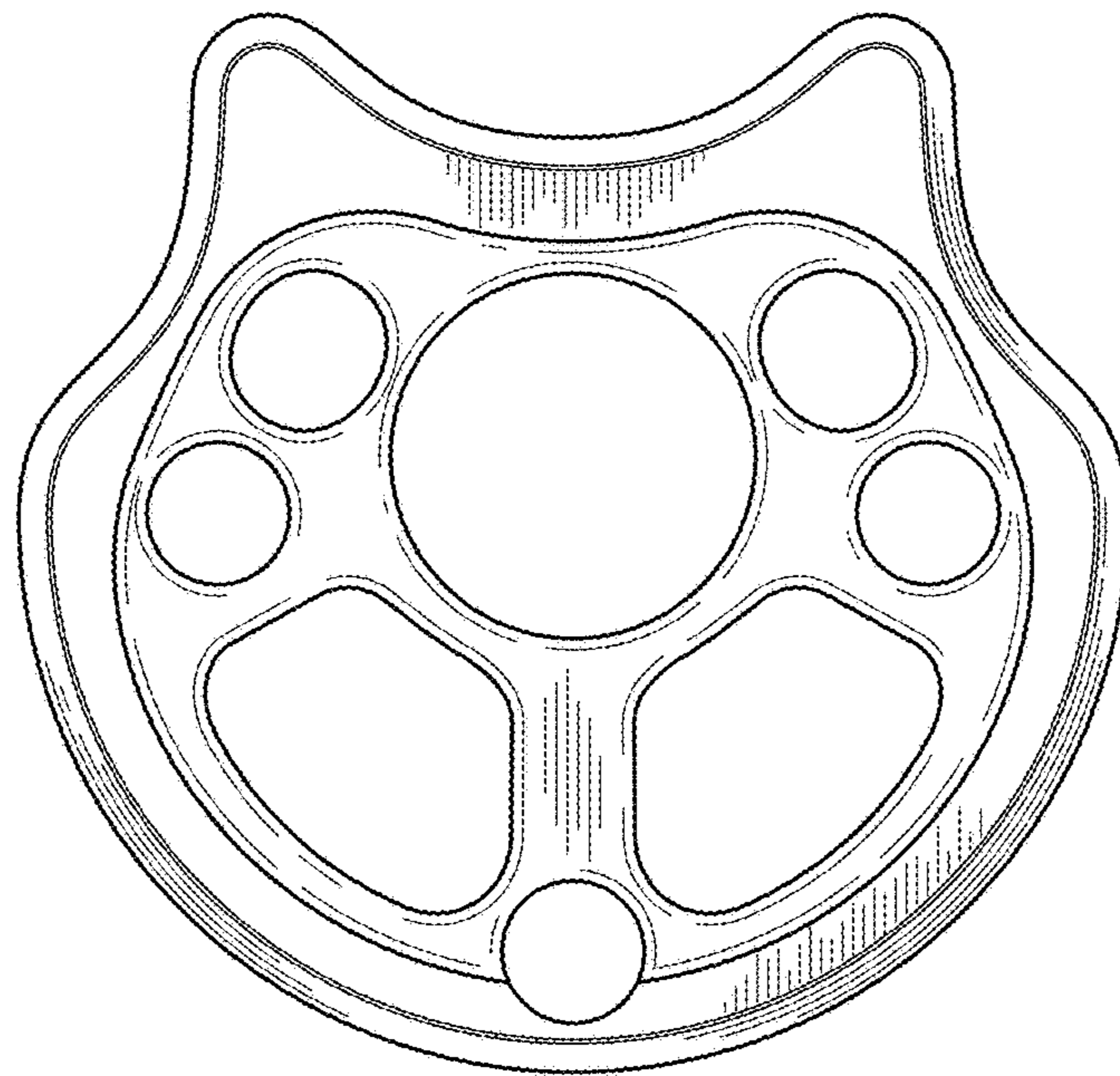


FIG. 4

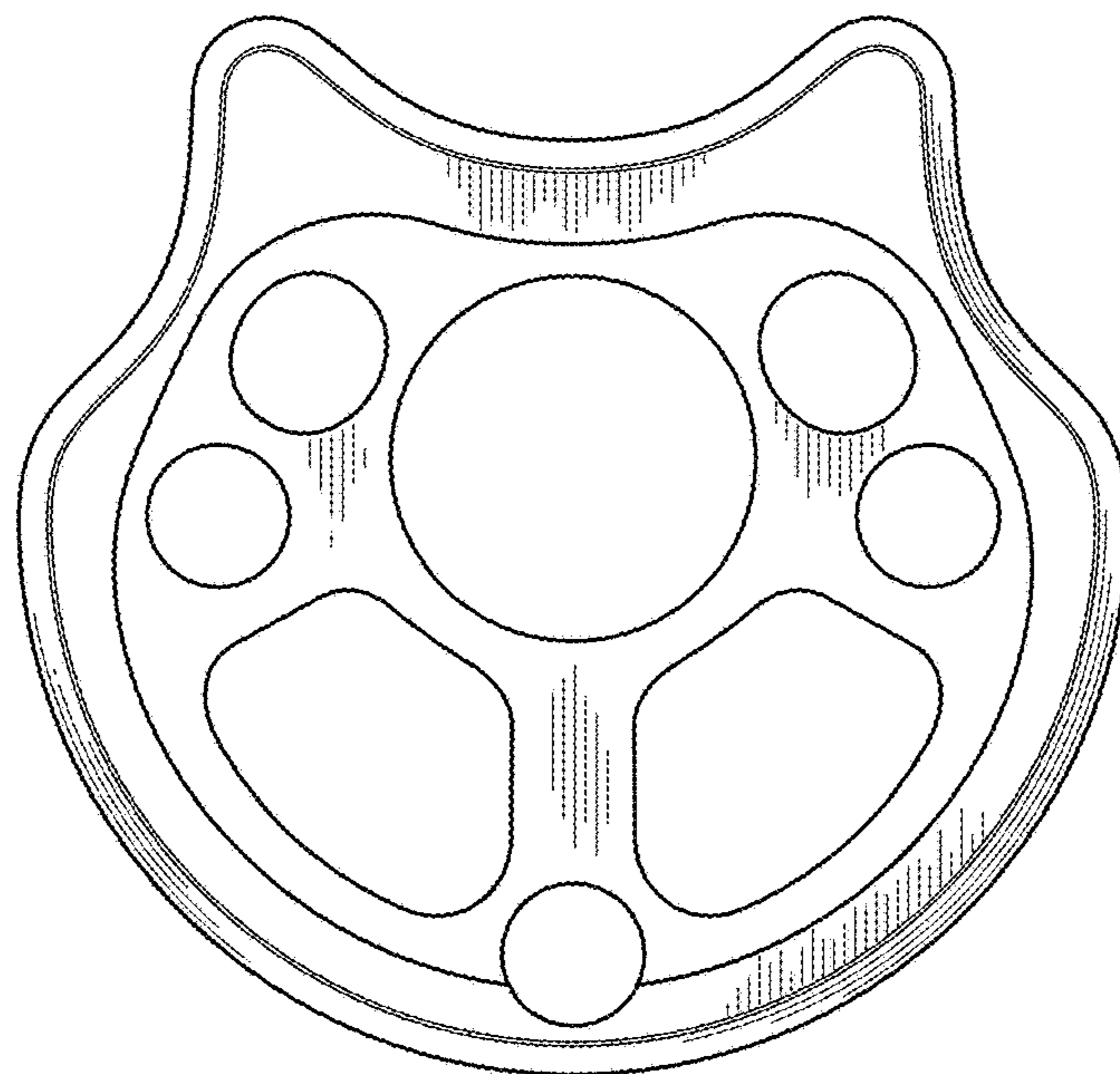


FIG. 5

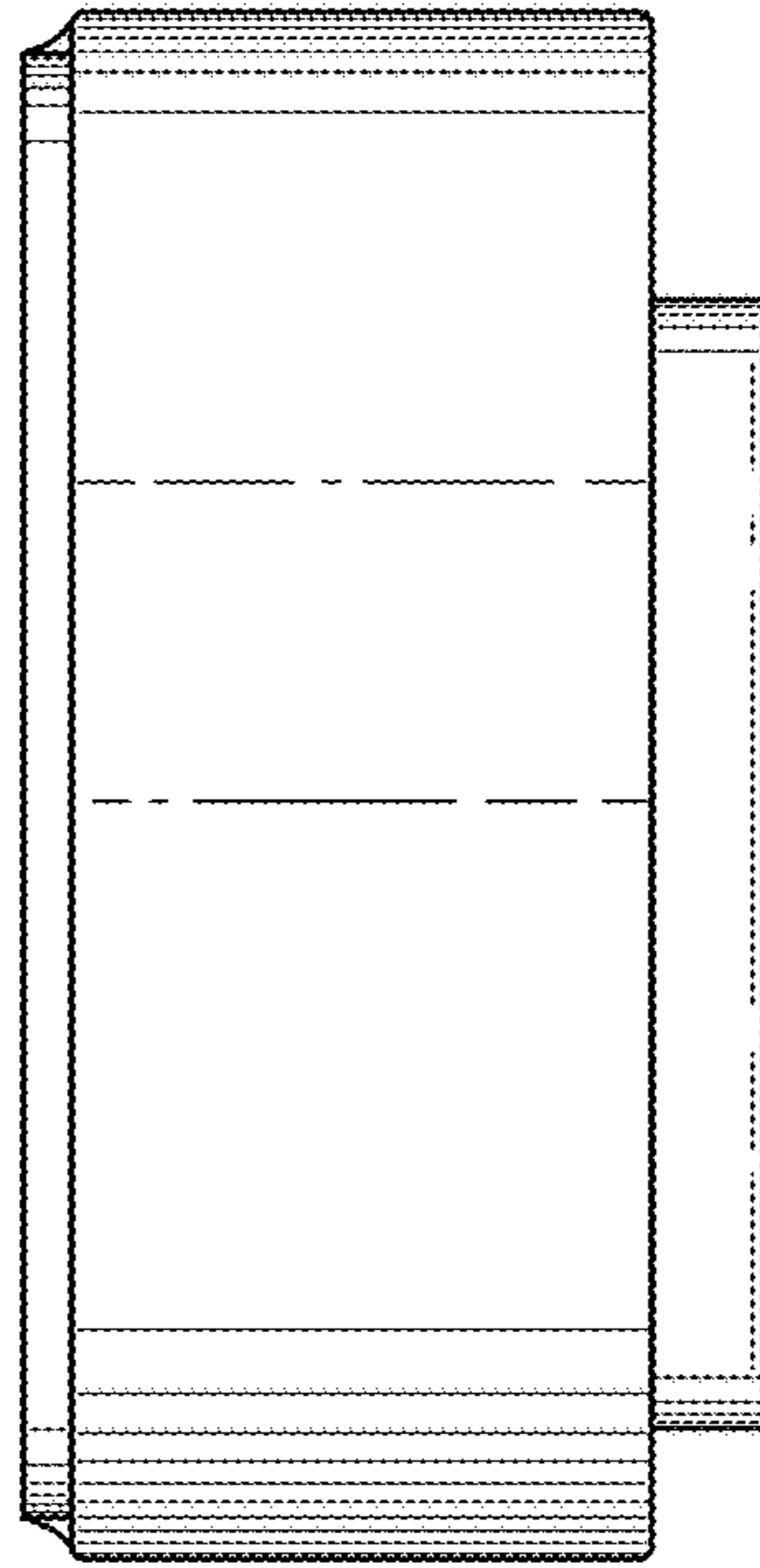


FIG. 6

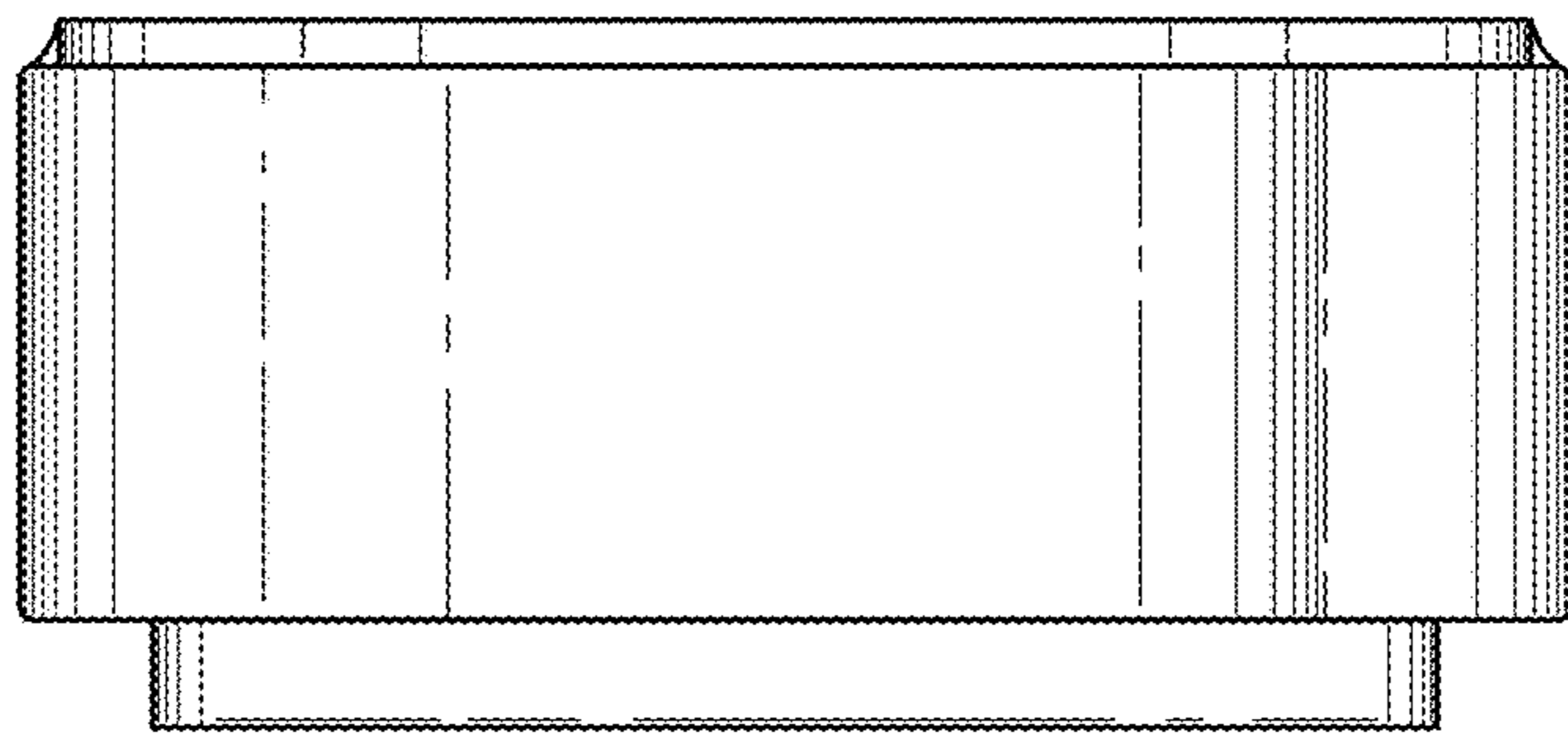


FIG. 7

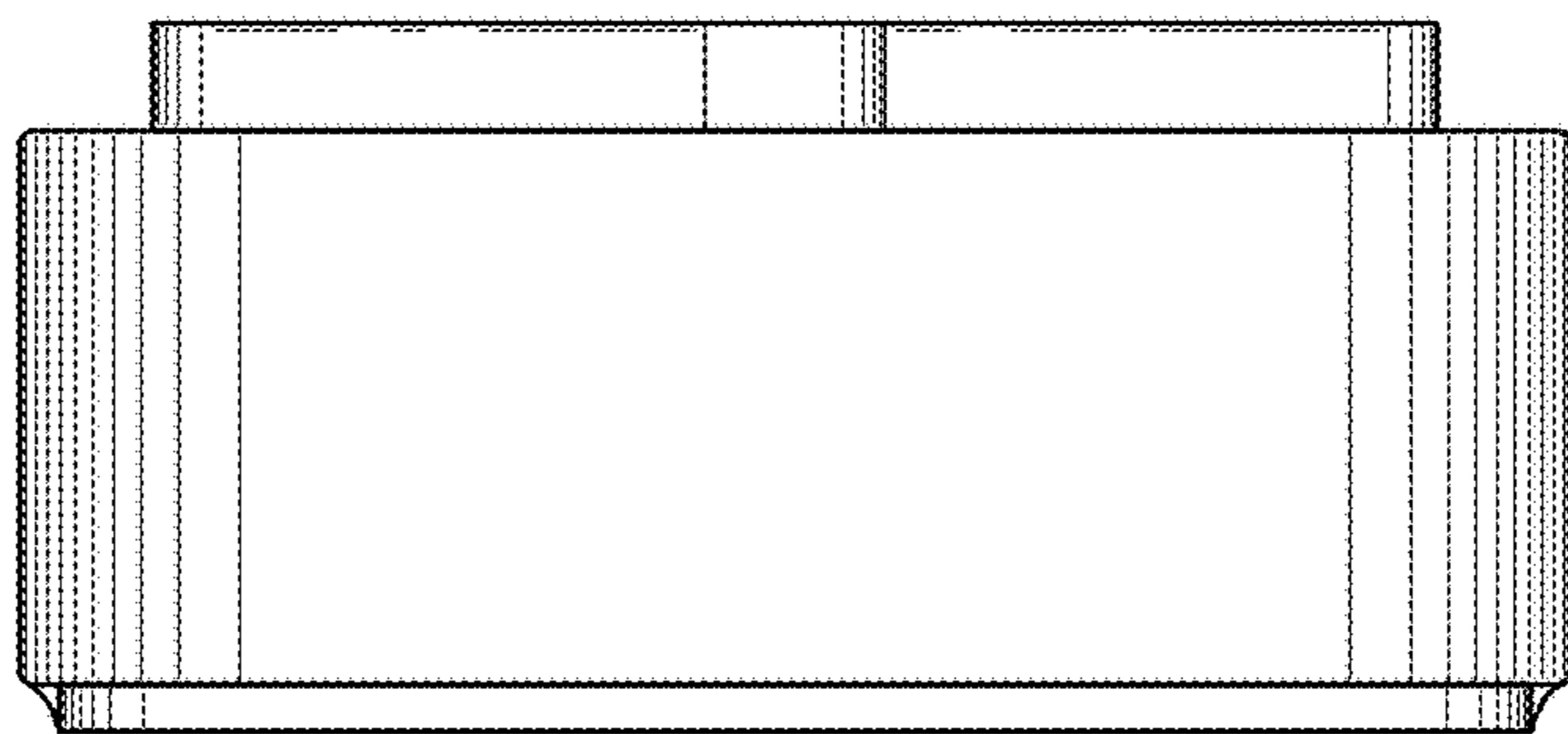


FIG. 8