



US00D778991S

(12) **United States Design Patent** (10) **Patent No.:** **US D778,991 S**
Sekido et al. (45) **Date of Patent:** **** Feb. 14, 2017**

(54) **BEARING FOR A YO-YO**

(71) Applicant: **NSK LTD.**, Tokyo (JP)
(72) Inventors: **Haruo Sekido**, Kanagawa (JP); **Hiroshi Nishizawa**, Kanagawa (JP)

(73) Assignee: **NSK LTD.**, Tokyo (JP)

(**) Term: **14 Years**

(21) Appl. No.: **29/517,884**

(22) Filed: **Feb. 18, 2015**

Related U.S. Application Data

(62) Division of application No. 29/436,800, filed on Nov. 9, 2012, now Pat. No. Des. 748,740.

(30) **Foreign Application Priority Data**

Aug. 14, 2012 (JP) 2012-019562
Aug. 14, 2012 (JP) 2012-019568

(Continued)

(51) **LOC (10) Cl.** **21-02**

(52) **U.S. Cl.**
USPC **D21/464**

(58) **Field of Classification Search**
USPC D21/453, 455, 456, 457, 460, 461, 463,
D21/464, 465, 466, 486-488, 495, 563;
D8/349, 354, 356-360.1, 373, 374-376,
D8/380, 387, 400, 499; D3/24; 446/31,
446/78, 88, 95, 96, 102-104, 111, 113,
446/118, 122, 123, 173, 174, 235,
446/236-266, 431, 444, 447-453;
384/271, 272, 424-428, 437, 441, 490,
384/514, 520, 522, 538, 540, 542-549,
384/416-419

See application file for complete search history.

(56) **References Cited**

U.S. PATENT DOCUMENTS

870,276 A 11/1907 Dackiewicz
922,154 A 5/1909 Knipe

(Continued)

FOREIGN PATENT DOCUMENTS

JP 56-151509 U 11/1981
JP 2003-135859 A 5/2003

(Continued)

OTHER PUBLICATIONS

International Search Report (PCT/ISA/210), dated May 1, 2012, issued by the International Searching Authority in International Patent Application No. PCT/JP2012/054298, which corresponds to related U.S. Appl. No. 13/806,359.

(Continued)

Primary Examiner — Catherine Tuttle

(74) *Attorney, Agent, or Firm* — Sughrue Mion, PLLC

(57) **CLAIM**

The ornamental design for a bearing for a yo-yo, as shown and described.

DESCRIPTION

FIG. 1 is a front, top and right perspective view showing a first embodiment of our new design for a bearing for a yo-yo;

FIG. 2 is a front view thereof;

FIG. 3 is a rear view thereof;

FIG. 4 is a left side view thereof;

FIG. 5 is a right side view thereof;

FIG. 6 is a top view thereof;

FIG. 7 is a bottom view thereof;

FIG. 8 is a reduced scale front view showing the first embodiment of the design in its intended context;

FIG. 9 is a front, top and right perspective view showing a second embodiment of our new design;

FIG. 10 is a front view thereof;

FIG. 11 is a rear view thereof;

FIG. 12 is a left side view thereof;

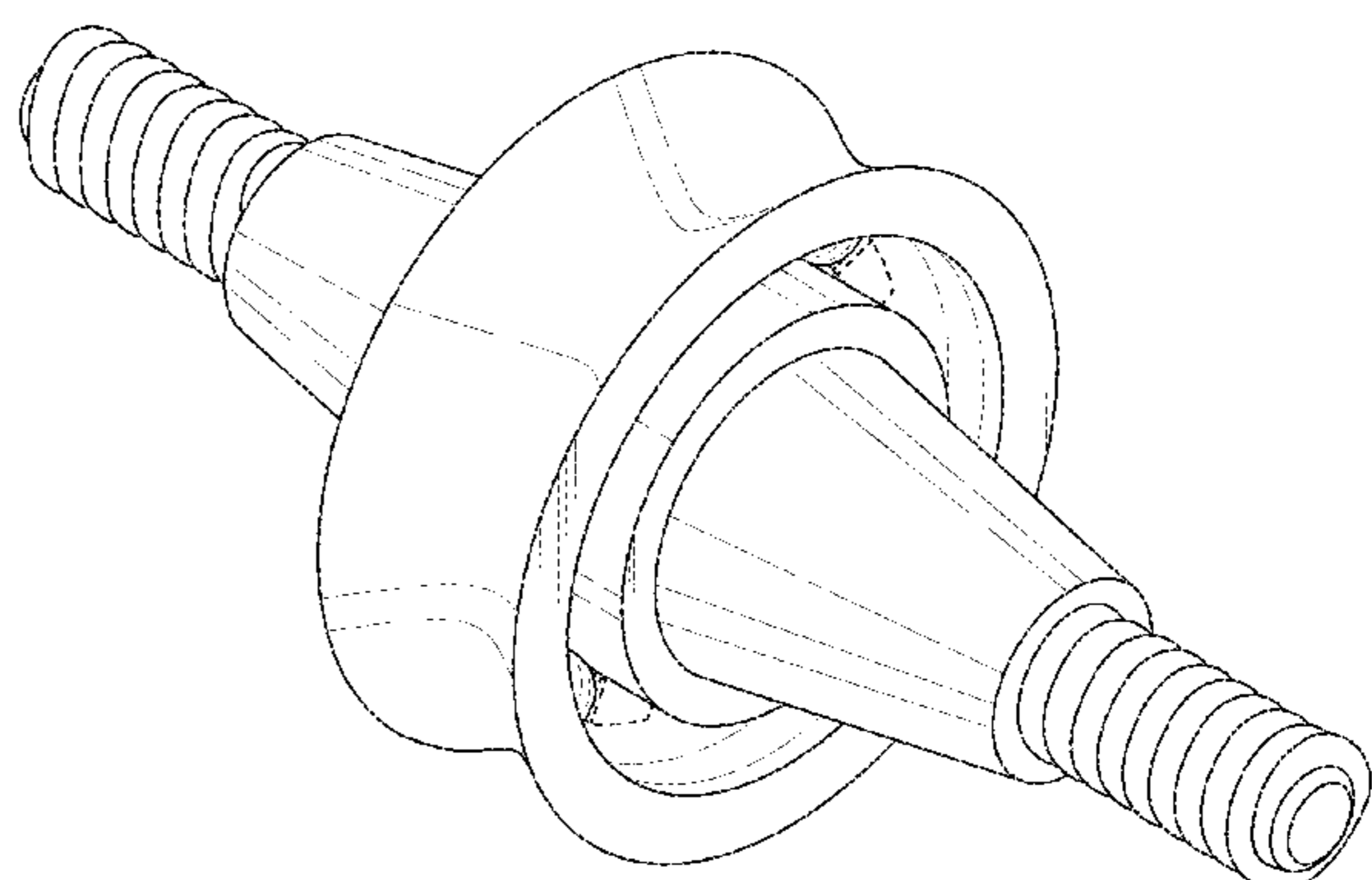
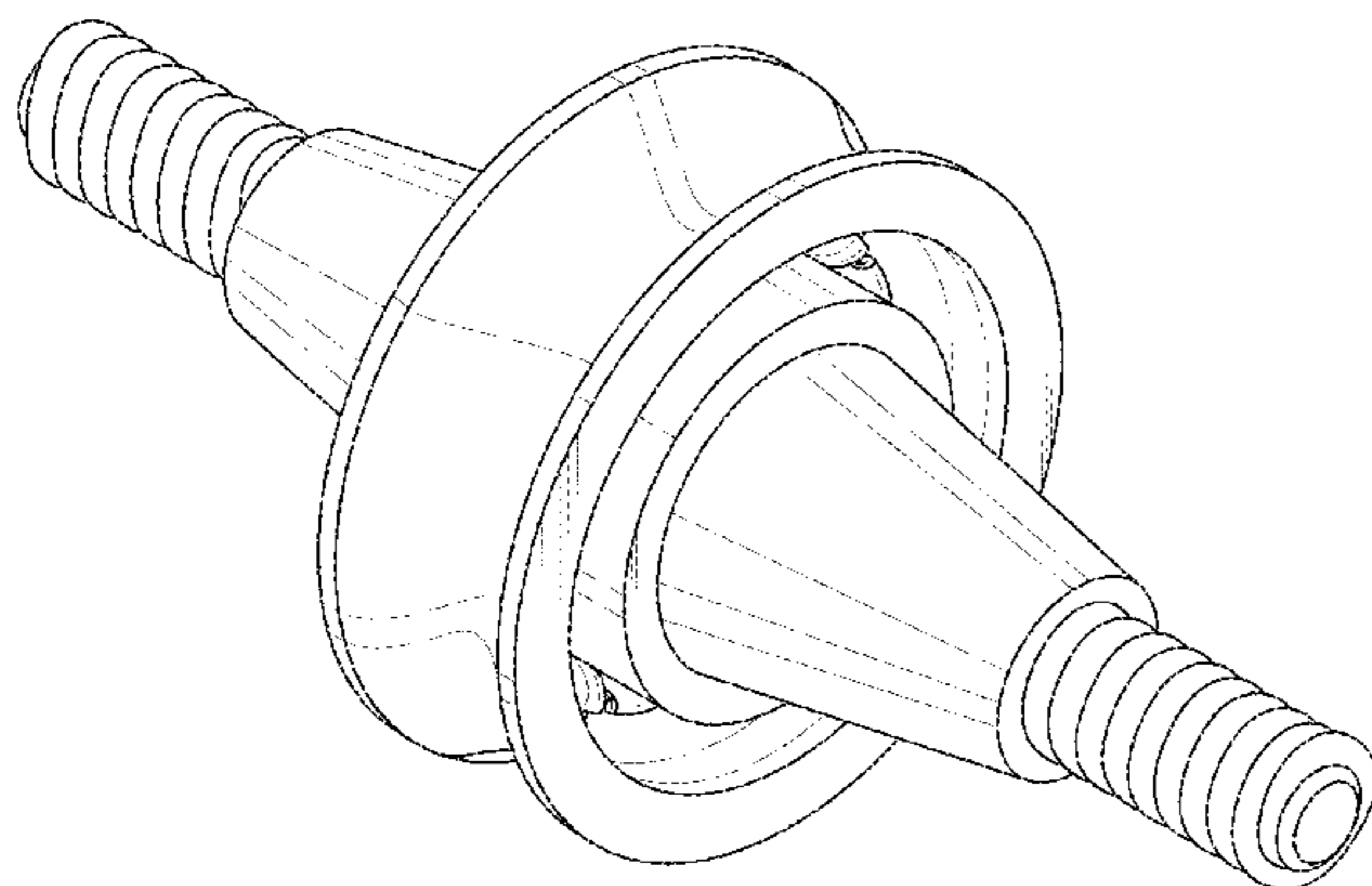
FIG. 13 is a right side view thereof;

FIG. 14 is a top view thereof;

FIG. 15 is a bottom view thereof; and,

FIG. 16 is a reduced scale front view showing the second embodiment in its intended context. The appearance within

(Continued)



the unshaded trapezoidal shaped areas in FIGS. 4 and 12 forms no part of the claimed design.

The broken lines are included for the purpose of illustrating cross sectional views of a yo-yo and portions of the bearing for a yo-yo that form no part of the claimed design.

1 Claim, 14 Drawing Sheets

(30) Foreign Application Priority Data

Aug. 14, 2012	(JP)	2012-019569
Aug. 14, 2012	(JP)	2012-019570
Sep. 20, 2012	(JP)	2012-022760
Sep. 20, 2012	(JP)	2012-022761

(56) References Cited

U.S. PATENT DOCUMENTS

1,240,382	A	9/1917	Spencer	
1,587,766	A	6/1926	English	
D96,619	S *	8/1935	Michelson D21/460
3,138,356	A	6/1964	McClain	
3,501,208	A	3/1970	Kessler	
3,712,694	A	1/1973	Smith	
3,728,813	A	4/1973	Jolliffe	
4,085,981	A	4/1978	Takenaka	
4,156,986	A	6/1979	Kupperman et al.	
D315,288	S	3/1991	Alonso	
5,017,172	A	5/1991	Seifert	
5,462,368	A	10/1995	Lob	
D428,944	S *	8/2000	Einsel D21/457

6,113,456	A	9/2000	Hadzicki et al.
6,155,903	A	12/2000	Van Dan Elzen et al.
6,196,890	B1	3/2001	Amaral
6,435,725	B1	8/2002	Smith
6,513,983	B1	2/2003	Tanaka et al.
6,565,408	B1	5/2003	Marcantonio et al.
7,125,310	B1	10/2006	Van Dan Elzen
7,175,500	B1	2/2007	Difeo
7,419,417	B1	9/2008	VanKuiken
7,637,669	B2	12/2009	Glueck
2005/0287910	A1	12/2005	O'Sullivan
2006/0178083	A1	8/2006	Van Dan Elzen
2006/0211330	A1	9/2006	Cahill et al.
2009/0050091	A1	2/2009	Watanabe et al.
2010/0112894	A1	5/2010	Smith
2010/0316323	A1	12/2010	Shibata et al.
2012/0134615	A1	5/2012	Takasugi et al.
2013/0109269	A1	5/2013	Hasegawa et al.
2013/0165015	A1	6/2013	Sekido et al.

FOREIGN PATENT DOCUMENTS

JP	2004-125171	A	4/2004
JP	2006-047268	A	2/2006
JP	2009-197899	A	9/2009
JP	2010-196845	A	9/2010

OTHER PUBLICATIONS

Written Opinion (PCT/ISA/237), dated May 1, 2012, issued by the International Searching Authority in International Patent Application No. PCT/JP2012/054298, which corresponds to related U.S. Appl. No. 13/806,359.

* cited by examiner

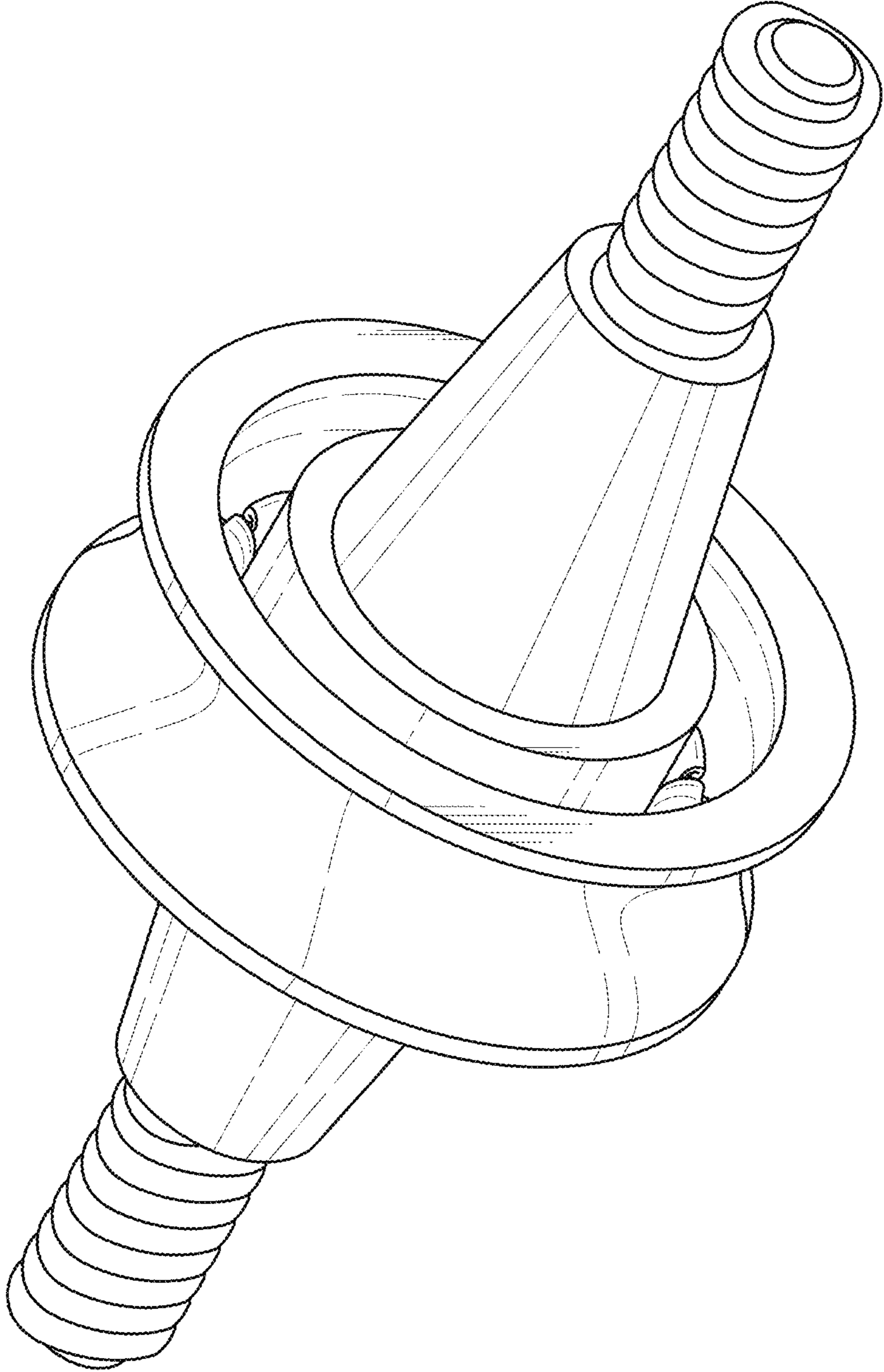


FIG. 1

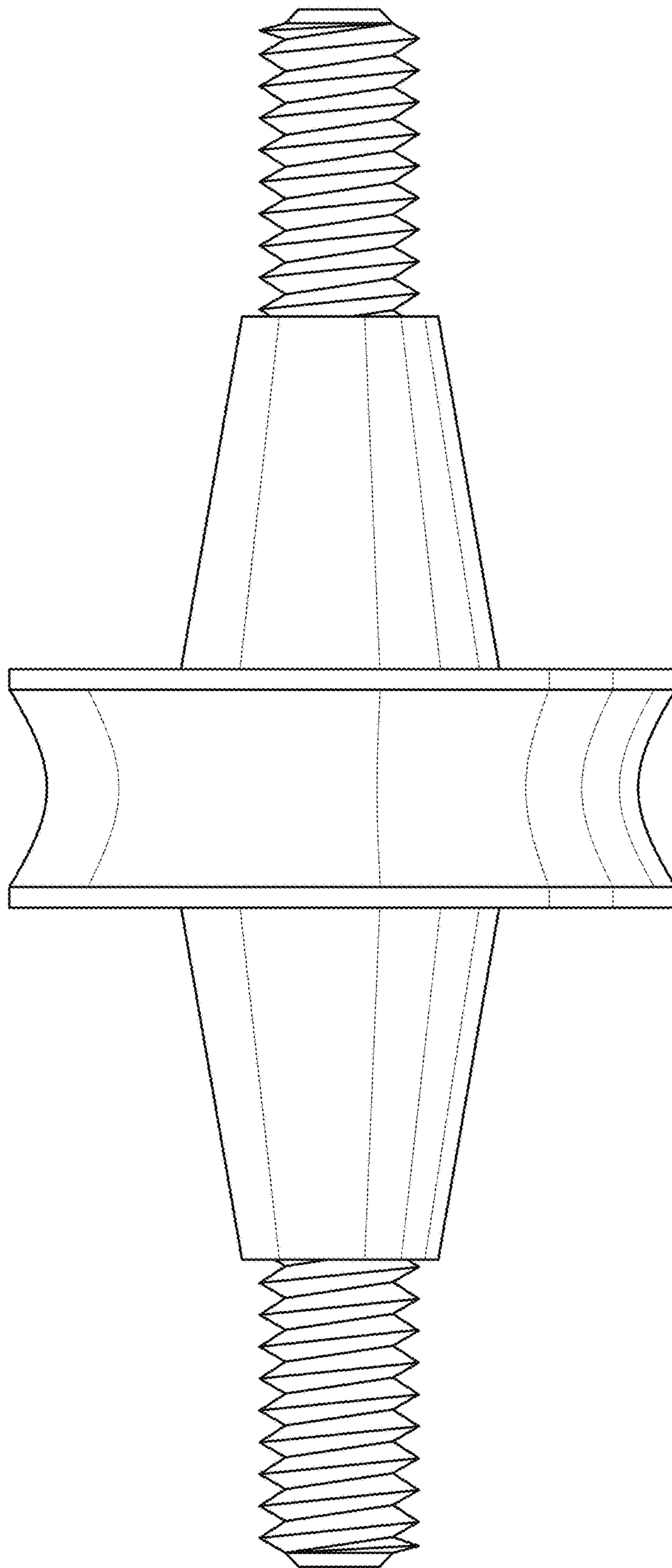


FIG. 2

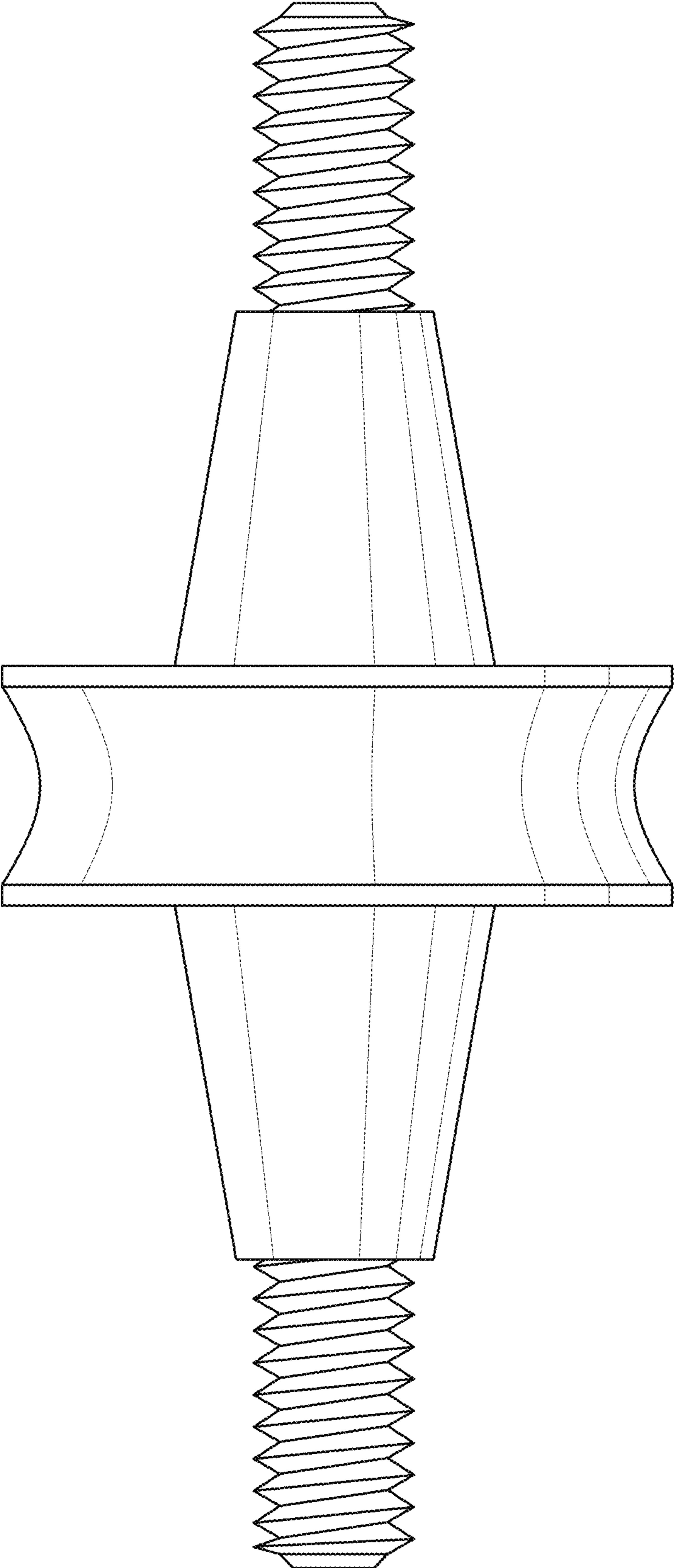


FIG. 3

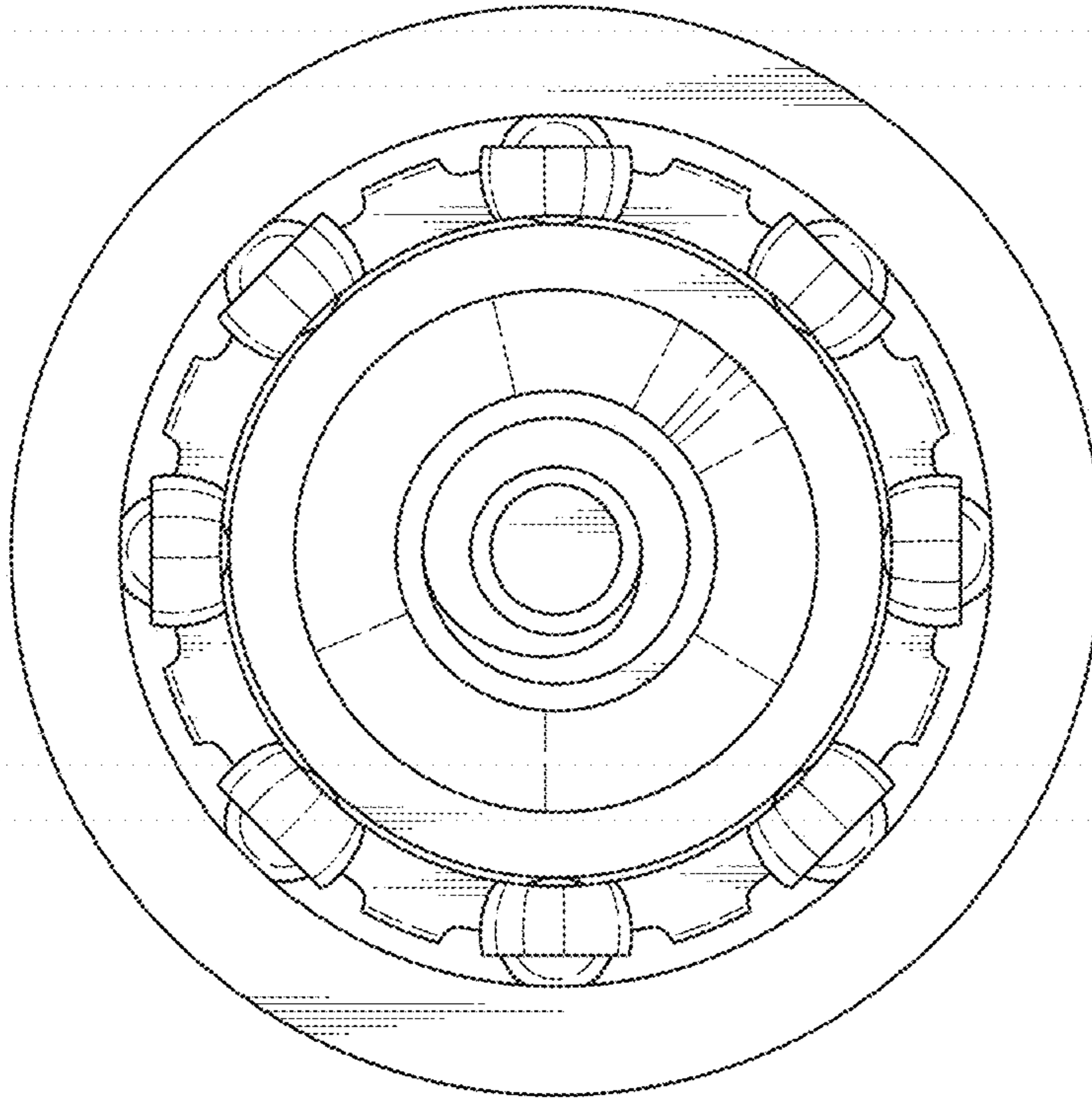


FIG. 5

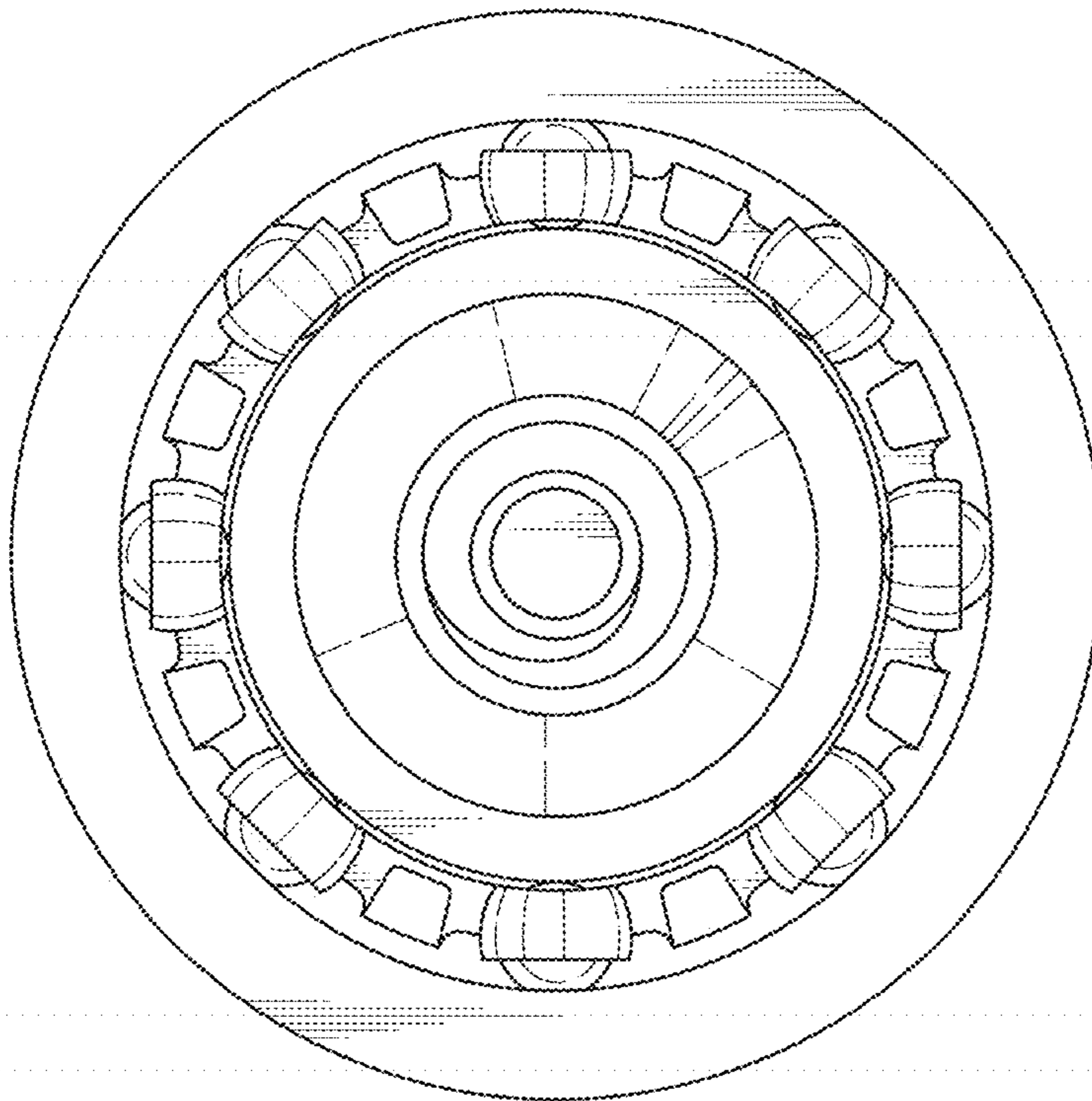


FIG. 4

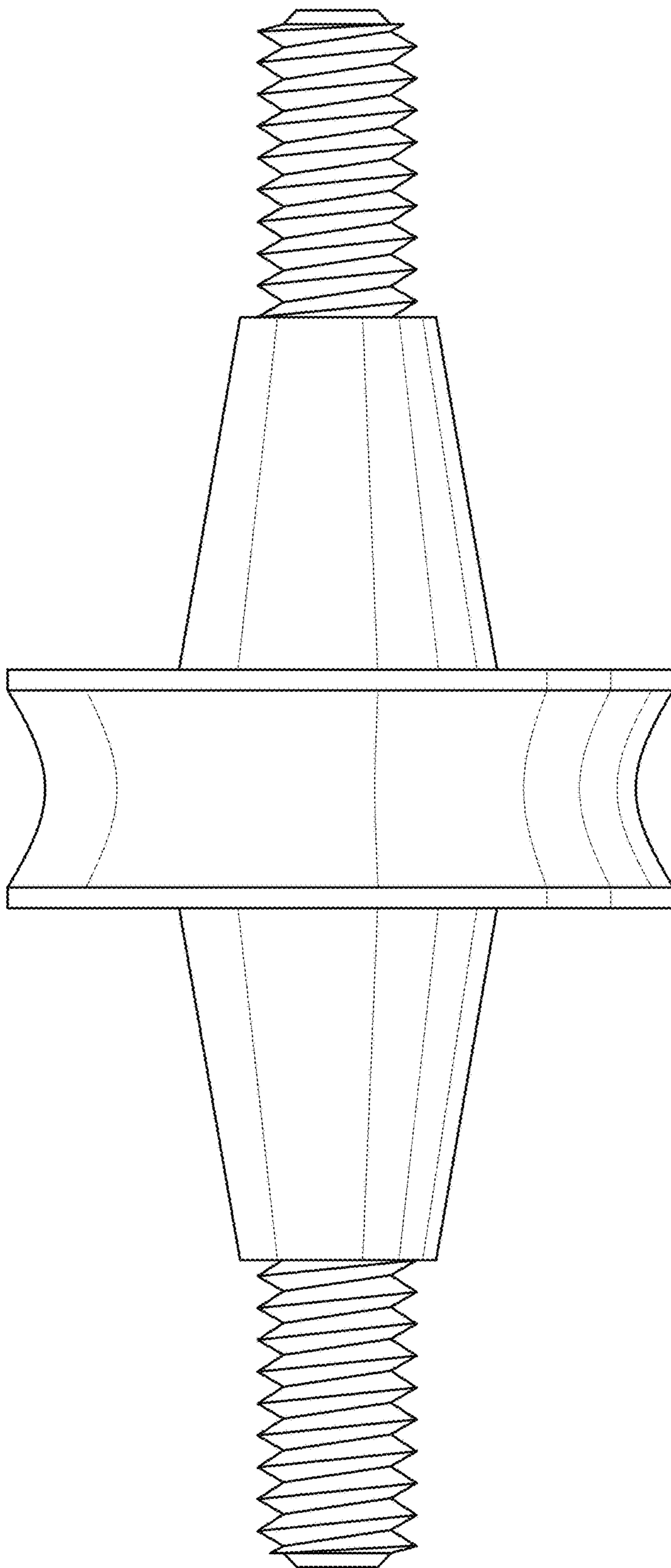


FIG. 6

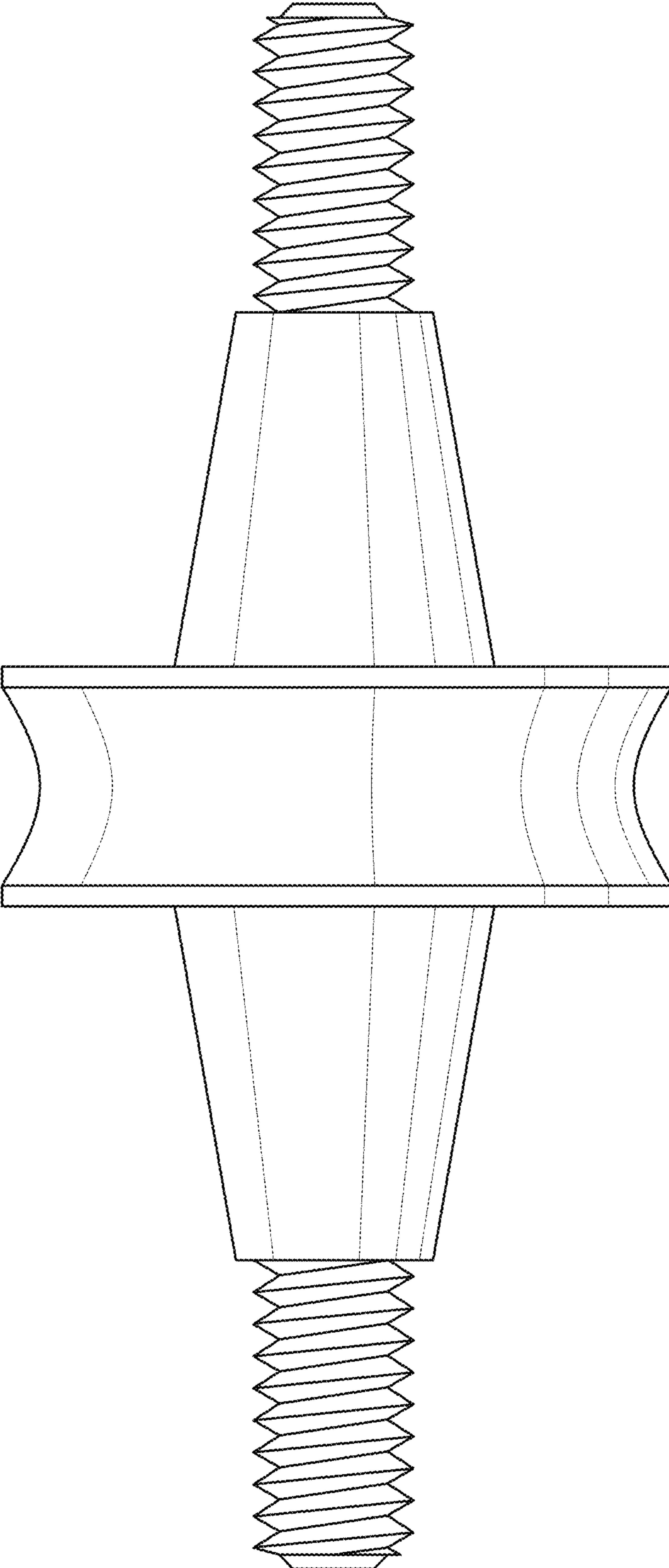


FIG. 7

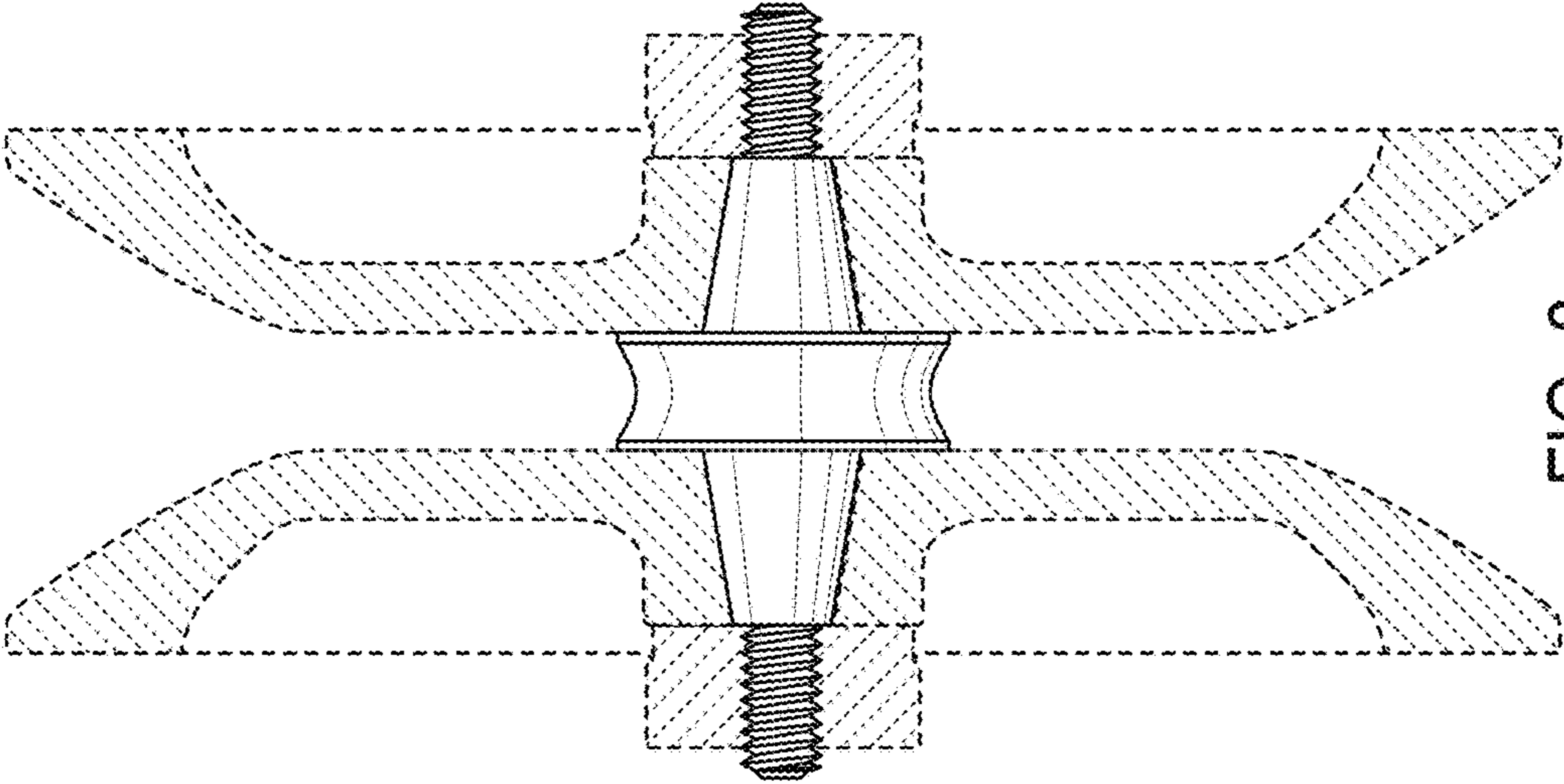


FIG. 8

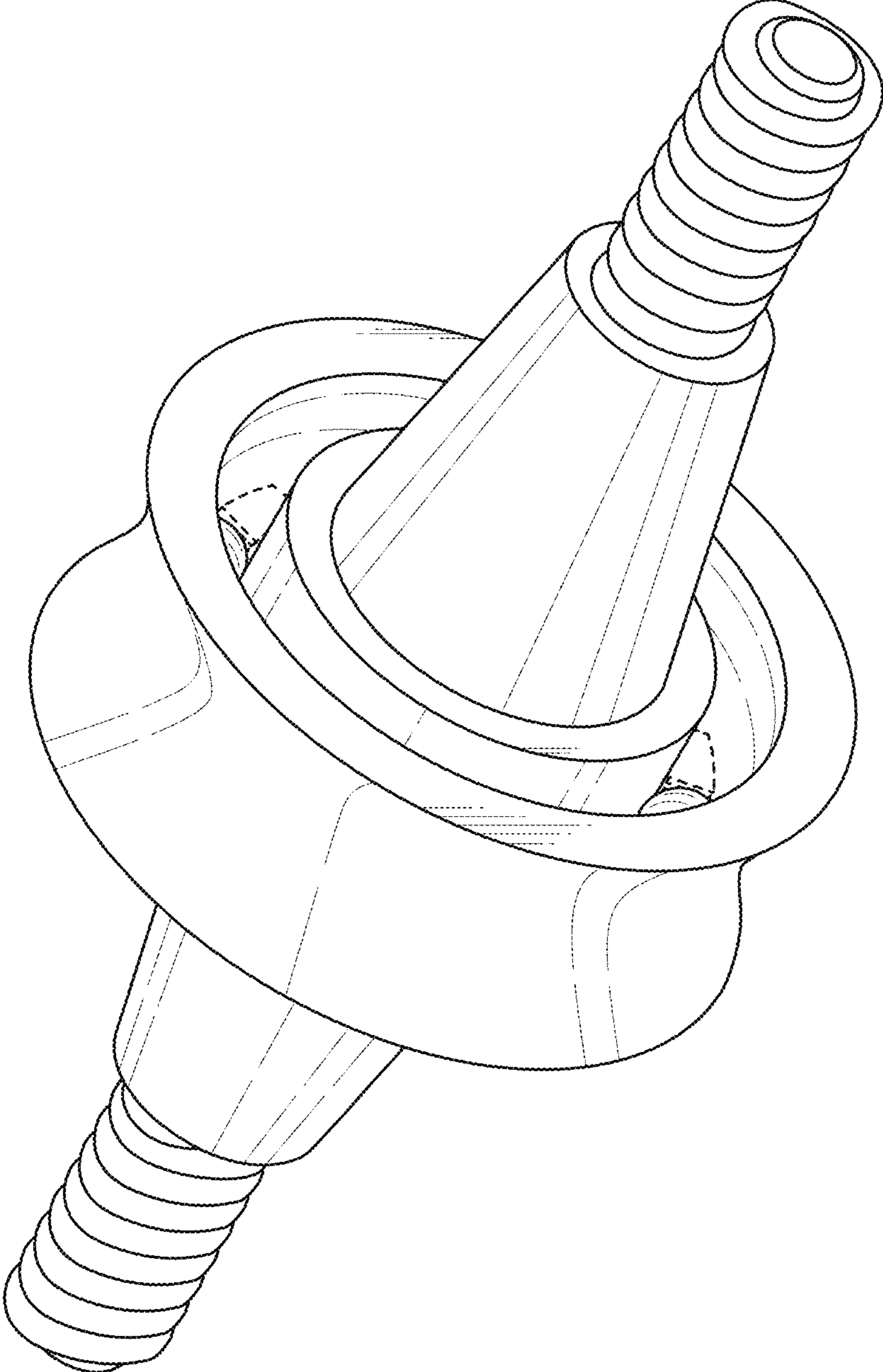


FIG. 9

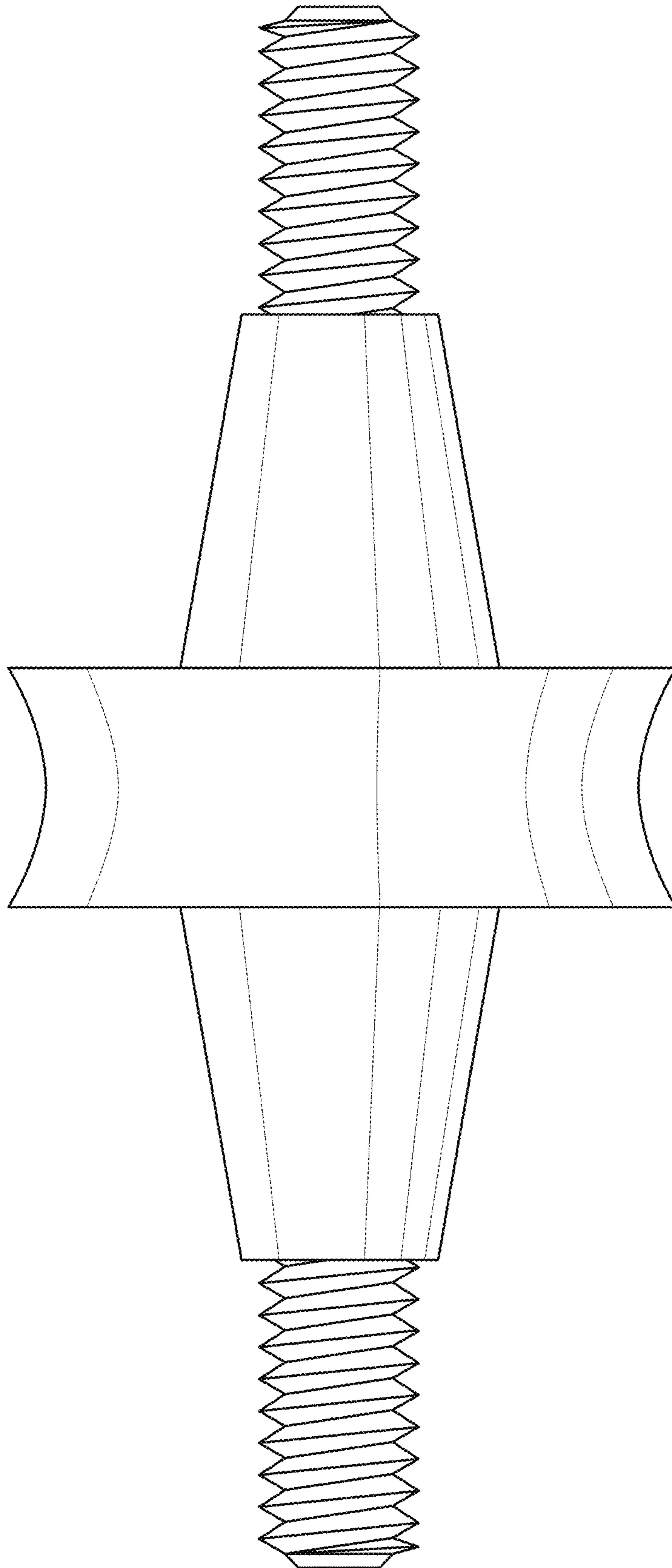


FIG. 10

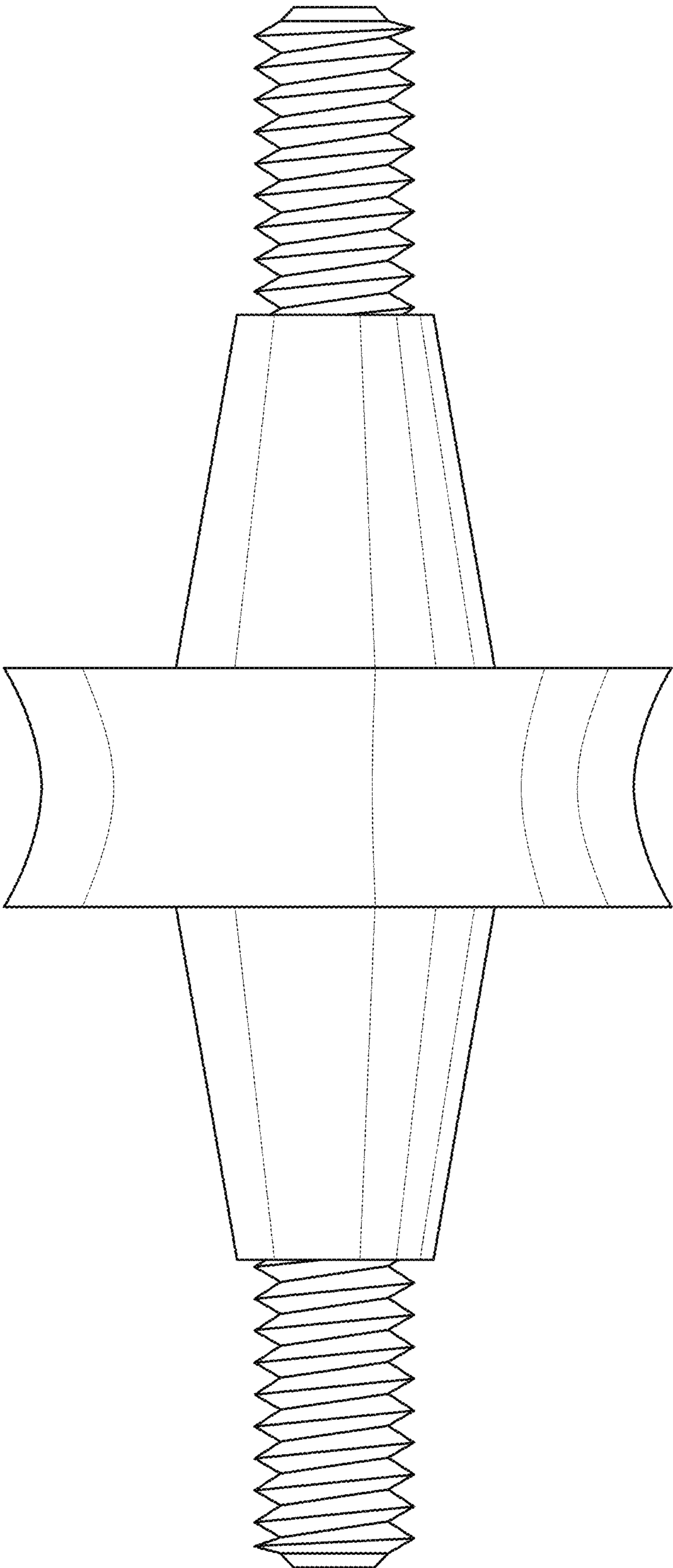


FIG. 11

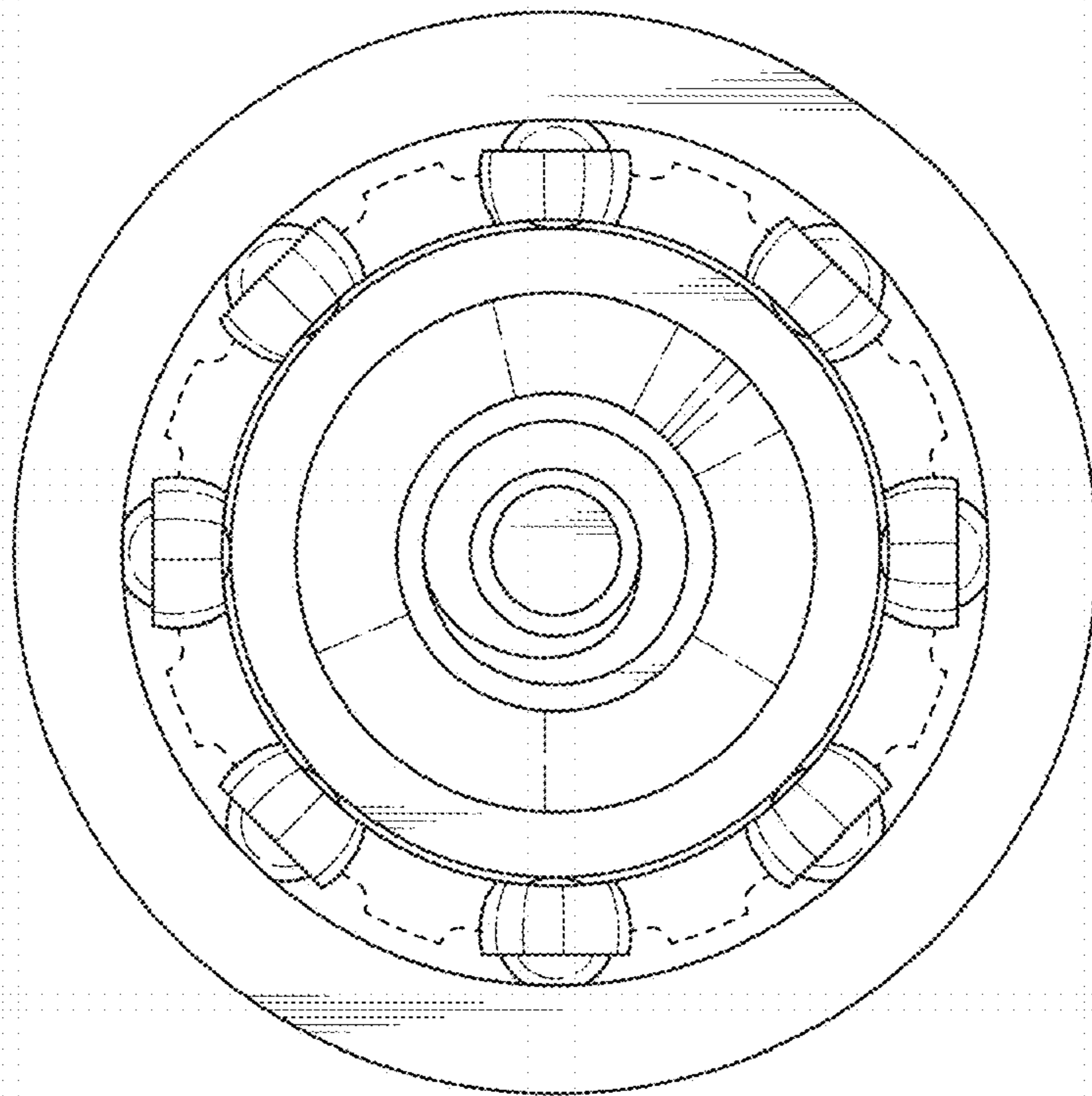


FIG. 12

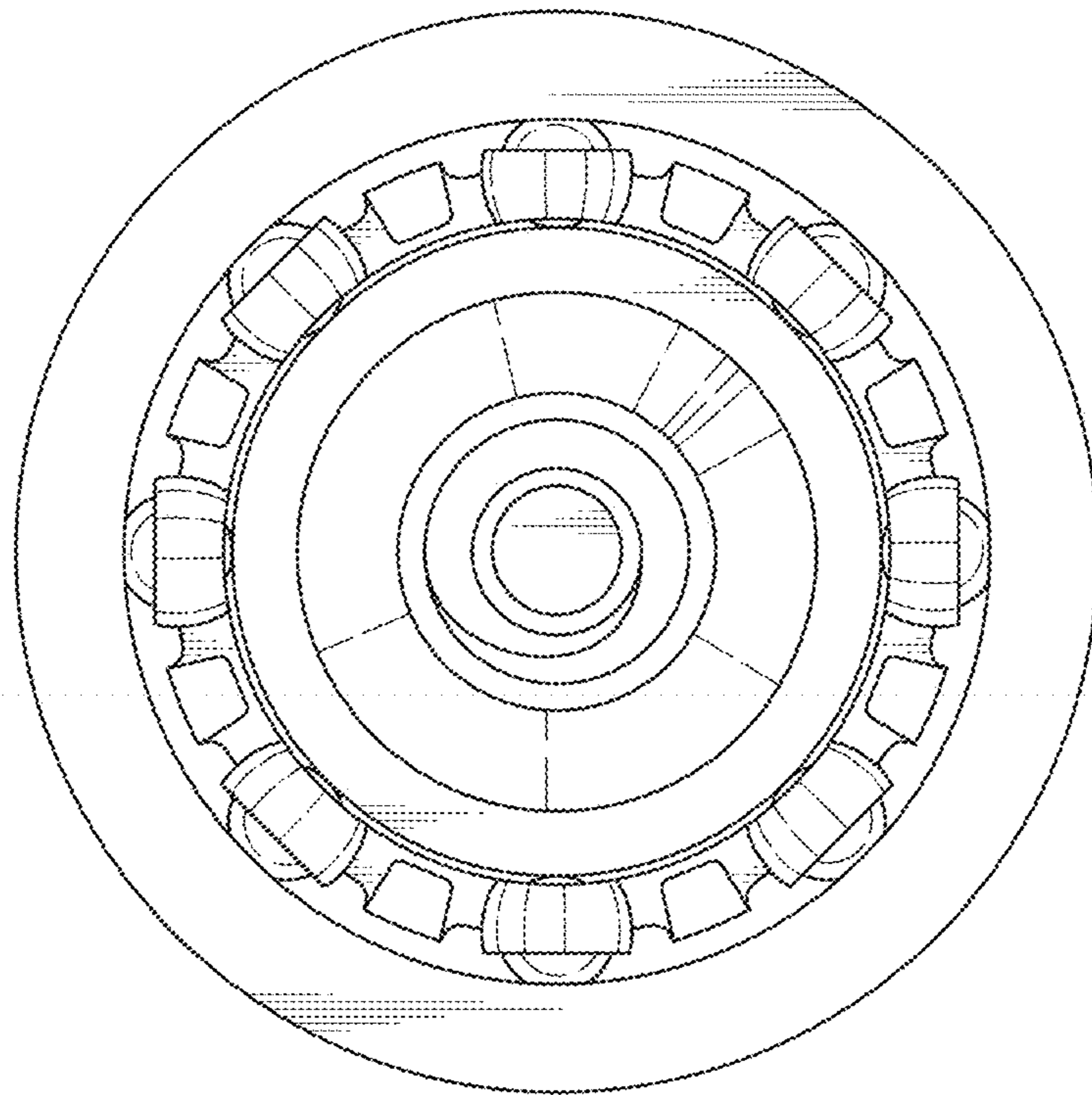


FIG. 13

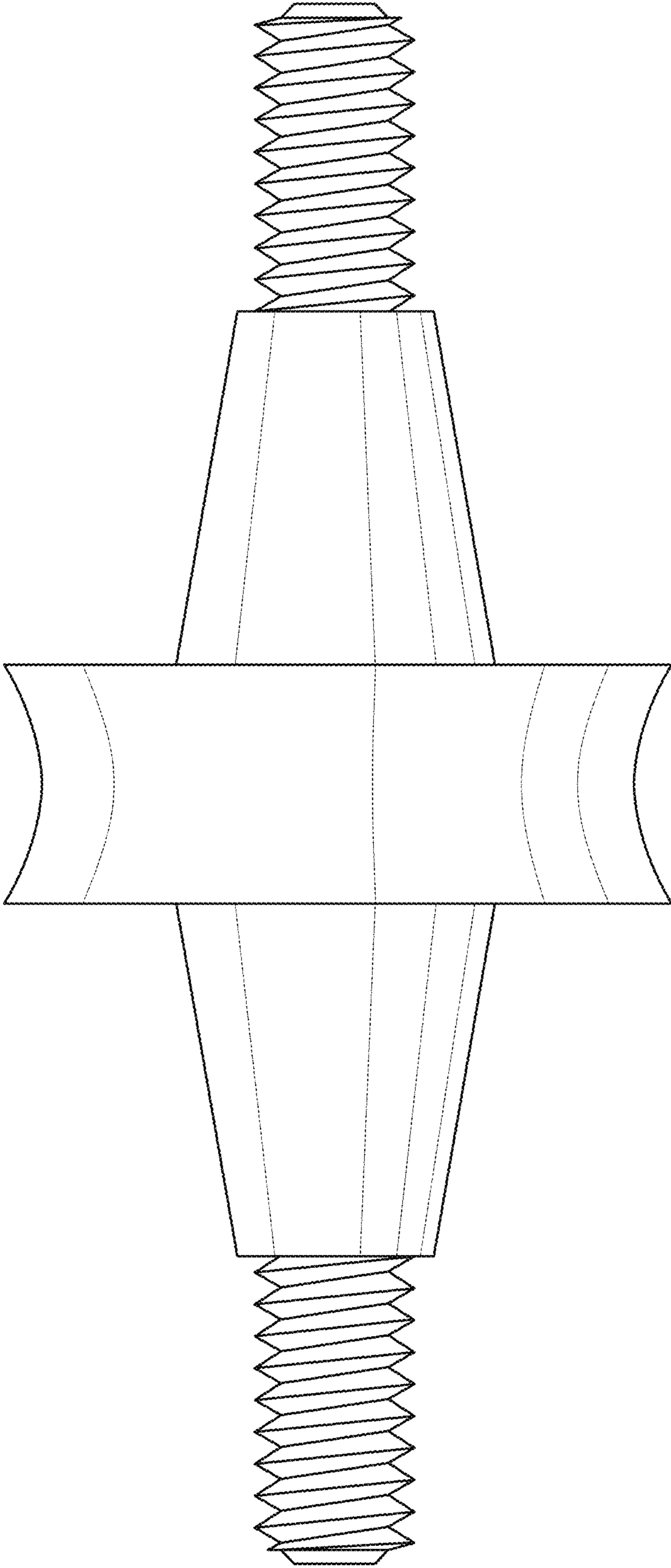


FIG. 14

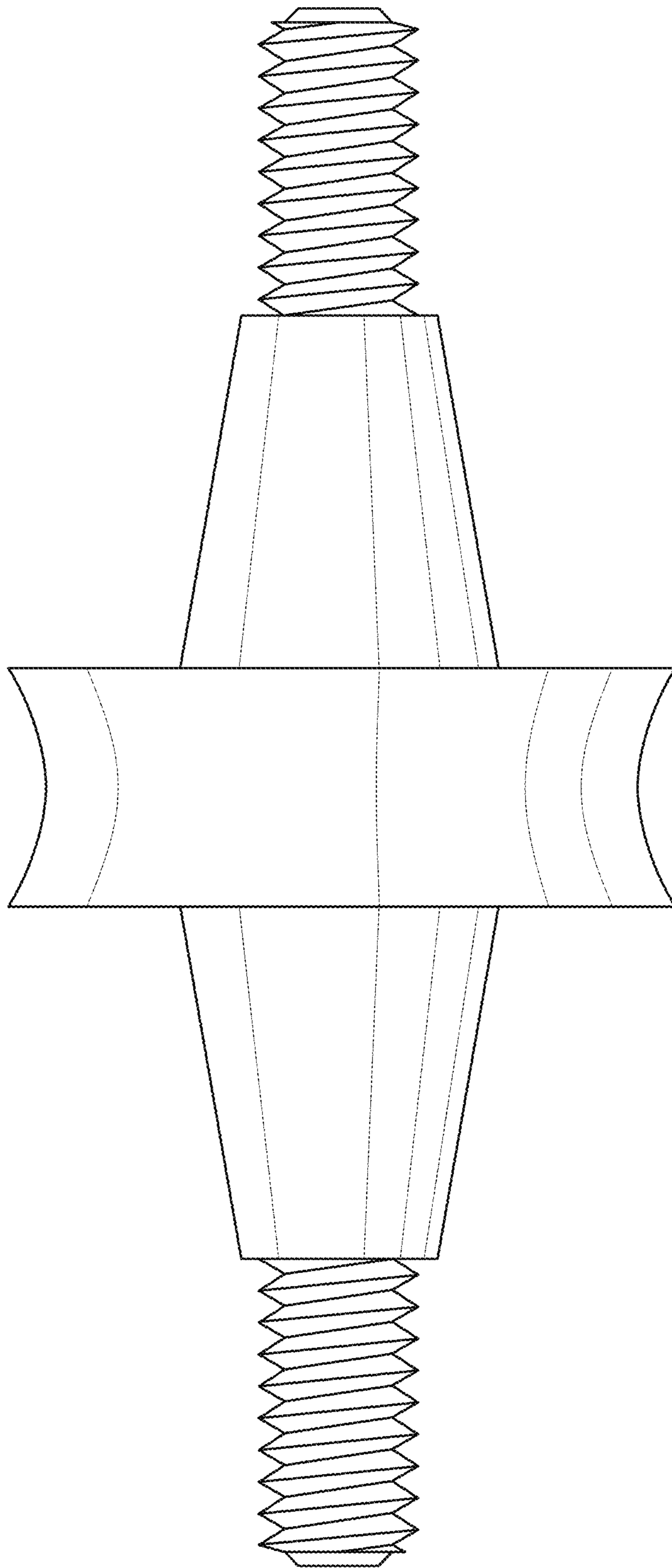


FIG. 15

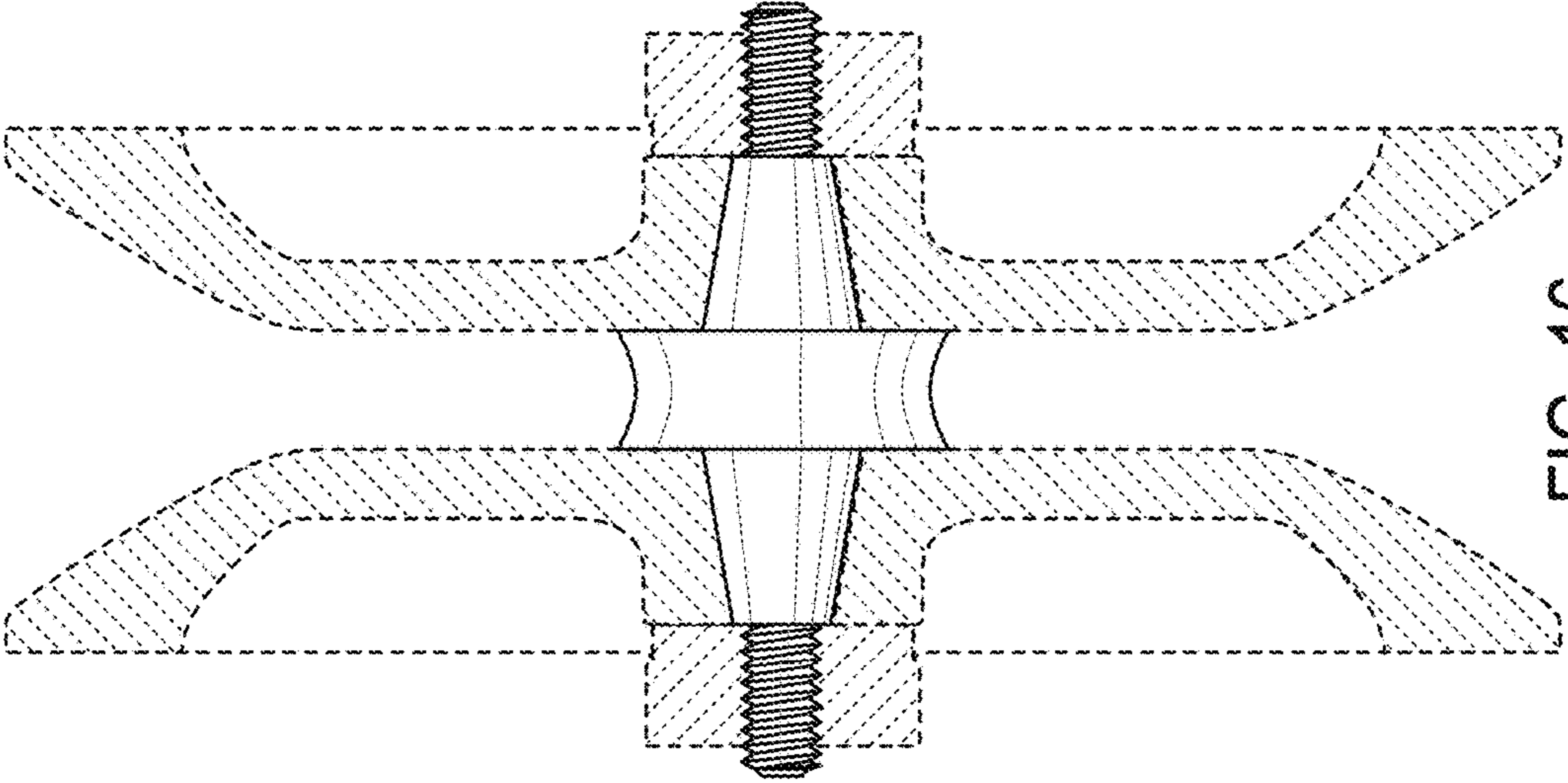


FIG. 16