



US00D778990S

(12) **United States Design Patent** (10) **Patent No.:** **US D778,990 S**
Kujawski et al. (45) **Date of Patent:** **** Feb. 14, 2017**

(54) **CONTROLLER**
(71) Applicant: **Microsoft Corporation**, Redmond, WA (US)
(72) Inventors: **Christopher Kujawski**, Seattle, WA (US); **Kenneth Jasinski**, Bellevue, WA (US)
(73) Assignee: **Microsoft Corporation**, Redmond, WA (US)

(**) Term: **15 Years**

(21) Appl. No.: **29/543,910**

(22) Filed: **Oct. 29, 2015**

(51) **LOC (10) Cl.** **21-01**

(52) **U.S. Cl.**
USPC **D21/333; D14/401**

(58) **Field of Classification Search**
USPC D14/496, 401, 435, 474, 483, 217, 137, D14/138, 160, 168, 356, 203.1-203.8, D14/507; 345/156, 169, 173-179, 905; 715/727-729, 864, 700, 706, 719; 710/1, 710/5, 8; 713/1, 600; 455/1.1, 1.7, 73, 455/344-347, 93, 95, 3.01-3.06, 550.1, 455/573.1; 370/342-344; 369/1, 2, 6-12; 463/51-57, 40-47, 1, 29-35; D21/324, D21/328, 333; 273/148 B
CPC A63F 13/00; A63F 13/02; A63F 9/00; G06F 17/00; G06F 19/00
See application file for complete search history.

(56) **References Cited**

U.S. PATENT DOCUMENTS

D368,936 S *	4/1996	Goto	D14/401
D398,214 S	9/1998	Yui		
D415,752 S *	10/1999	Tyler	D14/401
D424,047 S *	5/2000	Chan	D14/401
D435,551 S	12/2000	Hayes		
D449,042 S	10/2001	Chung		
D453,932 S	2/2002	Han et al.		

6,463,159 B1	10/2002	Ming-Cheng		
D467,922 S	12/2002	Lee		
6,743,100 B1 *	6/2004	Neiser	A63F 13/06 273/148 B
6,968,070 B1	11/2005	Chiang		
D521,015 S	5/2006	Hayes et al.		
D522,011 S	5/2006	Hayes et al.		
D522,012 S	5/2006	Hayes et al.		
7,063,321 B2	6/2006	Hussaini et al.		
7,105,754 B2	9/2006	Turner		
7,195,561 B2	3/2007	Hussaini et al.		
D547,763 S *	7/2007	Hayes	D14/401
D556,201 S	11/2007	Ashida et al.		
D563,480 S	3/2008	Blaseflug et al.		
D565,668 S	4/2008	Baseflug et al.		
D568,335 S	5/2008	Armstrong et al.		
D569,388 S	5/2008	Armstrong et al.		
D581,422 S	11/2008	Hayes et al.		
7,445,550 B2	11/2008	Barney et al.		

(Continued)

OTHER PUBLICATIONS

U.S. Appl. No. 29/530,098, filed Jun. 12, 2015.

(Continued)

Primary Examiner — Prabhakar Deshmukh
(74) *Attorney, Agent, or Firm* — Banner & Witcoff, Ltd.

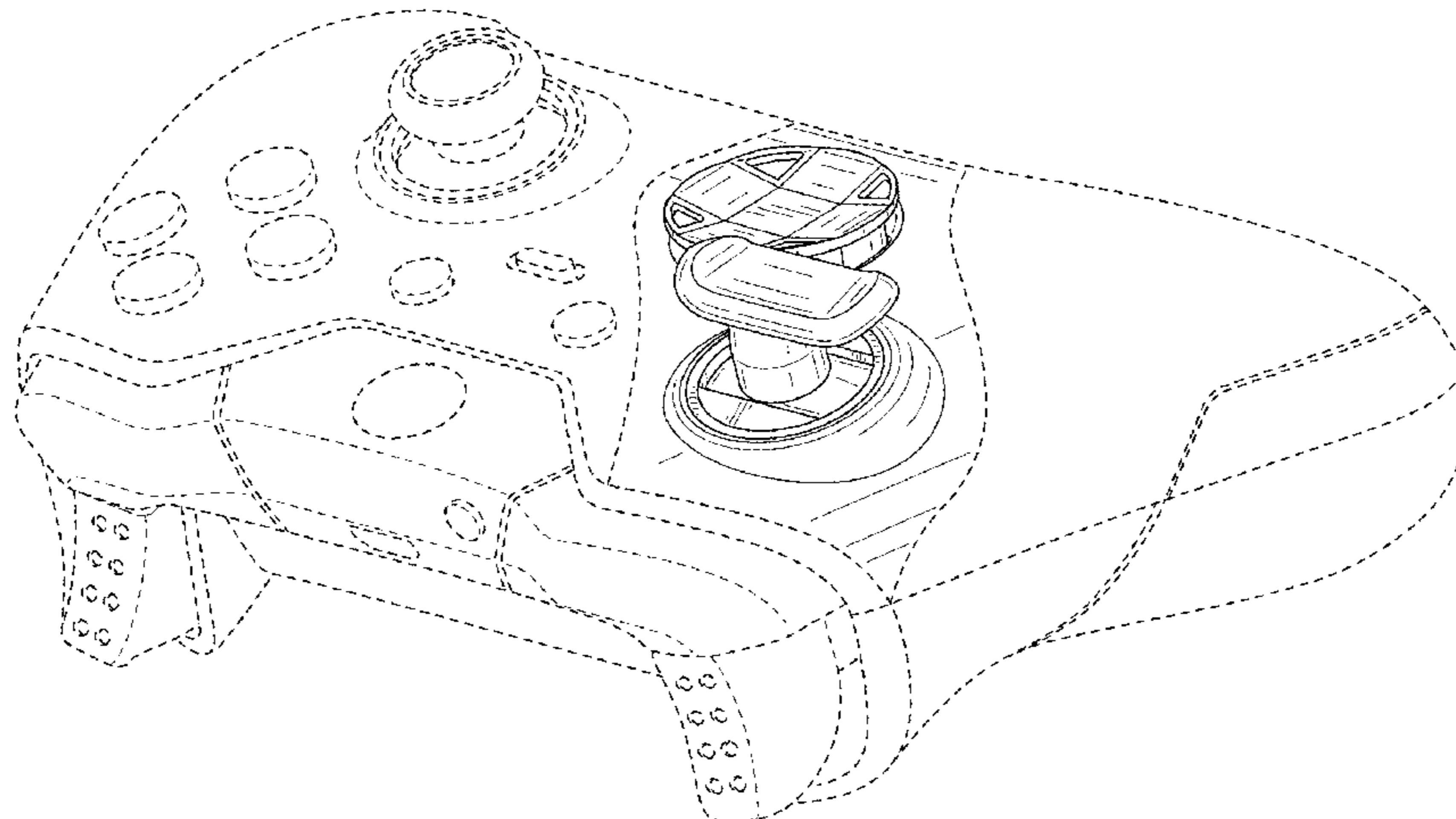
(57) **CLAIM**

The ornamental design for a controller, as shown and described.

DESCRIPTION

FIG. 1 is a front perspective view of a controller showing our new design;
FIG. 2 is a top view thereof;
FIG. 3 is a rear view thereof;
FIG. 4 is a front view thereof;
FIG. 5 is a left side view thereof; and,
FIG. 6 is a right side view thereof.
The broken line showing of the various unshaded elements of the controller in FIGS. 1-6 is for environmental purposes only and forms no part of the claimed design.

1 Claim, 6 Drawing Sheets



(56)

References Cited

OTHER PUBLICATIONS

U.S. PATENT DOCUMENTS

D601,564 S * 10/2009 Maeno D14/400
 D619,596 S 7/2010 Maitlen et al.
 D636,773 S * 4/2011 Lin D14/401
 D637,153 S 5/2011 Ikeda et al.
 D638,016 S 5/2011 Ikeda
 D646,275 S 10/2011 Ikeda et al.
 D650,795 S 12/2011 Koehn
 D655,350 S 3/2012 Taniguchi et al.
 D658,178 S 4/2012 Ikeda et al.
 D658,179 S 4/2012 Ikeda et al.
 D659,140 S 5/2012 Ikeda et al.
 D685,434 S 7/2013 Ali et al.
 8,487,876 B2 * 7/2013 Ikeda A63F 13/06
 273/148 B
 D692,001 S 10/2013 Ibuki et al.
 8,545,323 B2 * 10/2013 McVicar A63F 13/06
 345/161
 D692,887 S 11/2013 Ibuki et al.
 D694,830 S 12/2013 Crowley et al.
 D700,182 S 2/2014 Kidakarn
 D708,615 S * 7/2014 Delrue D14/401
 D709,498 S 7/2014 Morris et al.
 D709,499 S 7/2014 Morris et al.
 D709,882 S 7/2014 Morris et al.
 D715,865 S 10/2014 Morris et al.
 8,903,100 B2 * 12/2014 Hiraki H04R 29/001
 324/500

U.S. Appl. No. 29/530,106, filed Jun. 12, 2015.
 U.S. Appl. No. 29/530,225, filed Jun. 15, 2015.
 U.S. Appl. No. 29/530,102, filed Jun. 12, 2015.
 U.S. Appl. No. 29/530,110, filed Jun. 12, 2015.
 U.S. Appl. No. 29/530,122, filed Jun. 12, 2015.
 U.S. Appl. No. 29/530,108, filed Jun. 12, 2015.
 U.S. Appl. No. 29/530,111, filed Jun. 12, 2015.
 U.S. Appl. No. 29/530,112, filed Jun. 12, 2015.
 U.S. Appl. No. 29/530,113, filed Jun. 12, 2015.
 U.S. Appl. No. 29/530,114, filed Jun. 12, 2015.
 U.S. Appl. No. 29/530,115, filed Jun. 12, 2015.
 U.S. Appl. No. 29/530,116, filed Jun. 12, 2015.
 U.S. Appl. No. 29/530,120, filed Jun. 12, 2015.
 U.S. Appl. No. 29/530,285, filed Jun. 15, 2015.
 U.S. Appl. No. 29/530,243, filed Jun. 15, 2015.
 U.S. Appl. No. 29/530,237, filed Jun. 15, 2015.
 U.S. Appl. No. 29/543,963, filed Oct. 29, 2015.
 U.S. Appl. No. 29/543,976, filed Oct. 29, 2015.
 U.S. Appl. No. 29/543,897, filed Oct. 29, 2015.
 U.S. Appl. No. 29/543,902, filed Oct. 29, 2015.
 U.S. Appl. No. 29/543,904, filed Oct. 29, 2015.
 U.S. Appl. No. 29/543,914, filed Oct. 29, 2015.
 U.S. Appl. No. 29/543,958, filed Oct. 29, 2015.
 U.S. Appl. No. 29/543,931, filed Oct. 29, 2015.
 U.S. Appl. No. 29/543,968, filed Oct. 29, 2015.

* cited by examiner

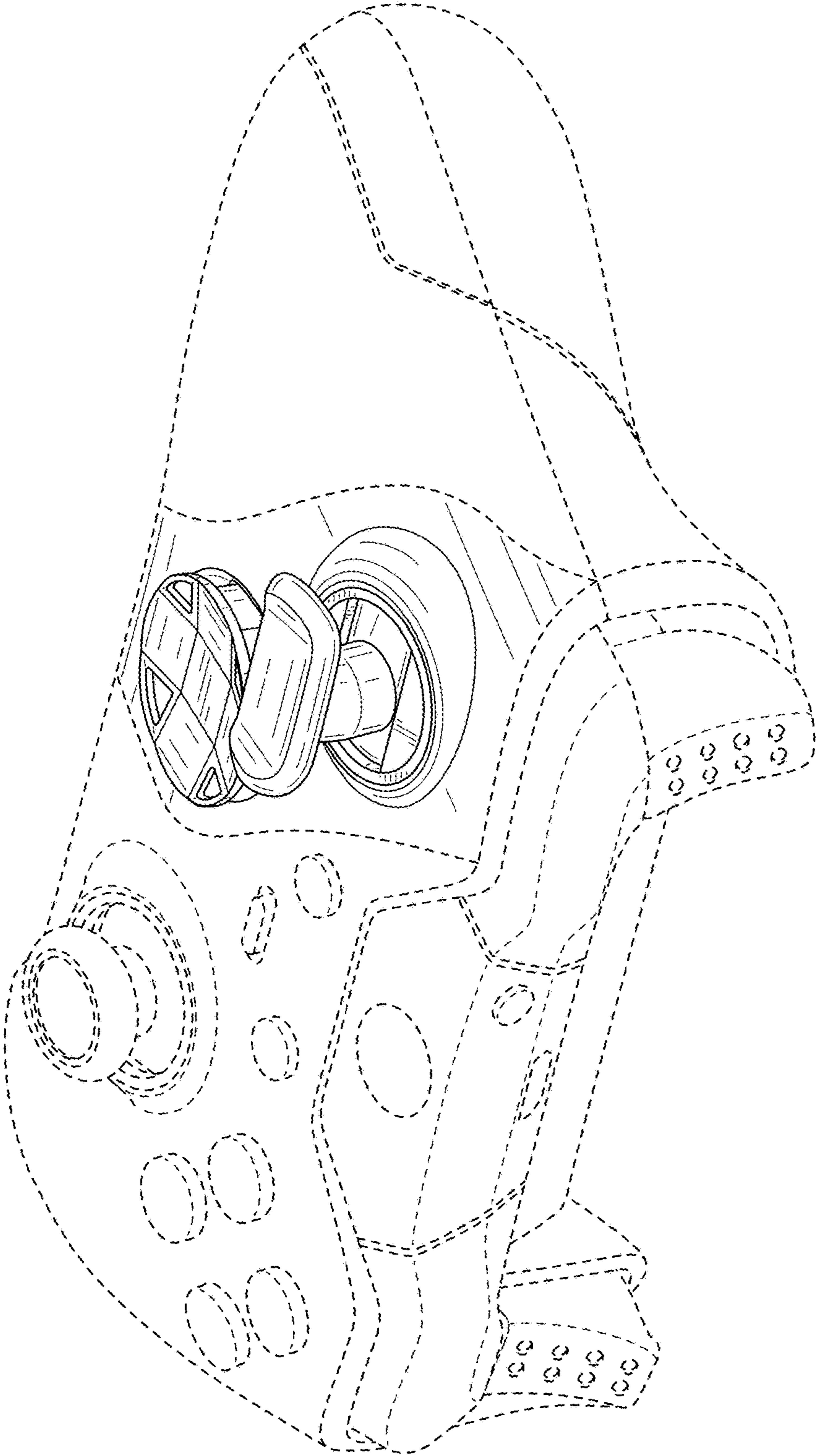


FIG. 1

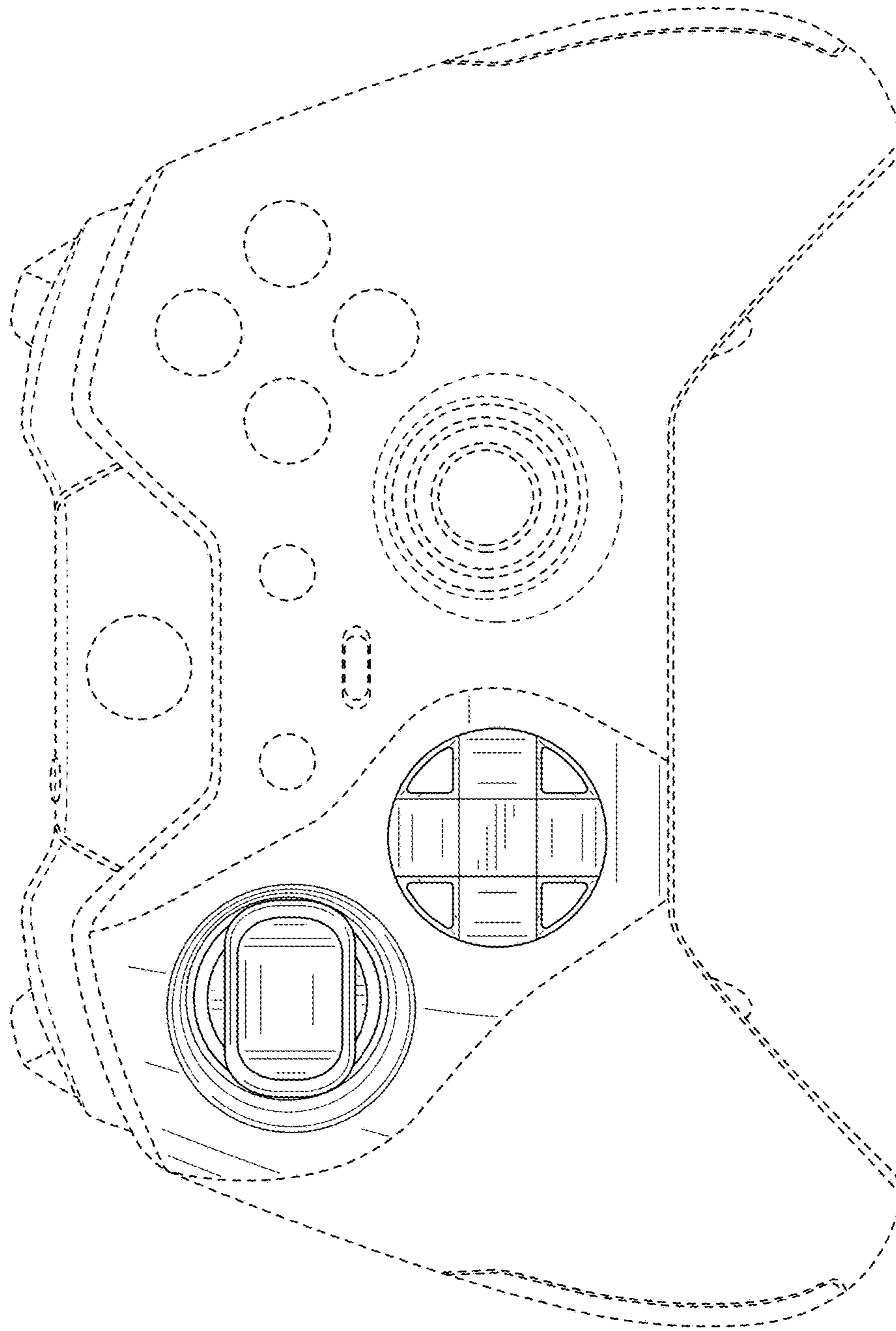


FIG. 2

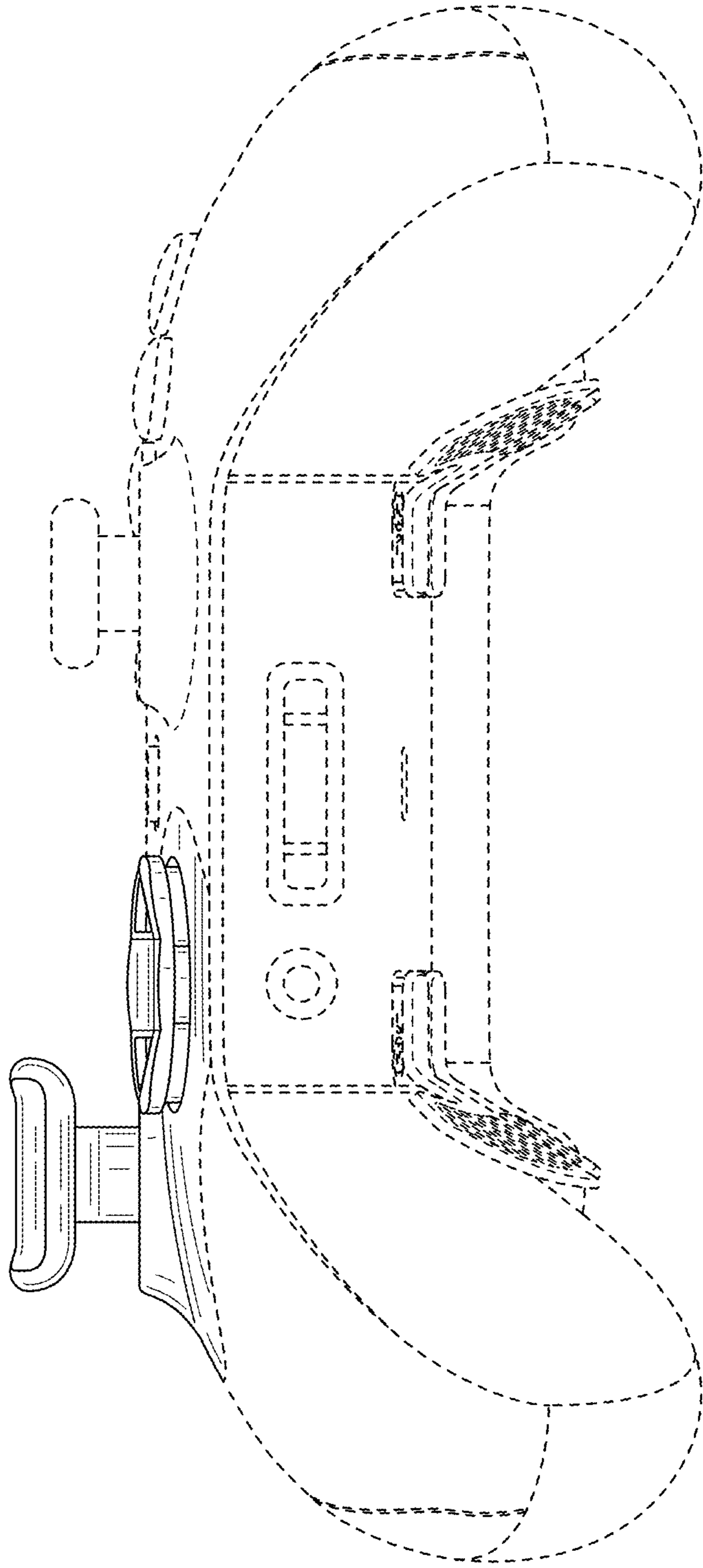


FIG. 3

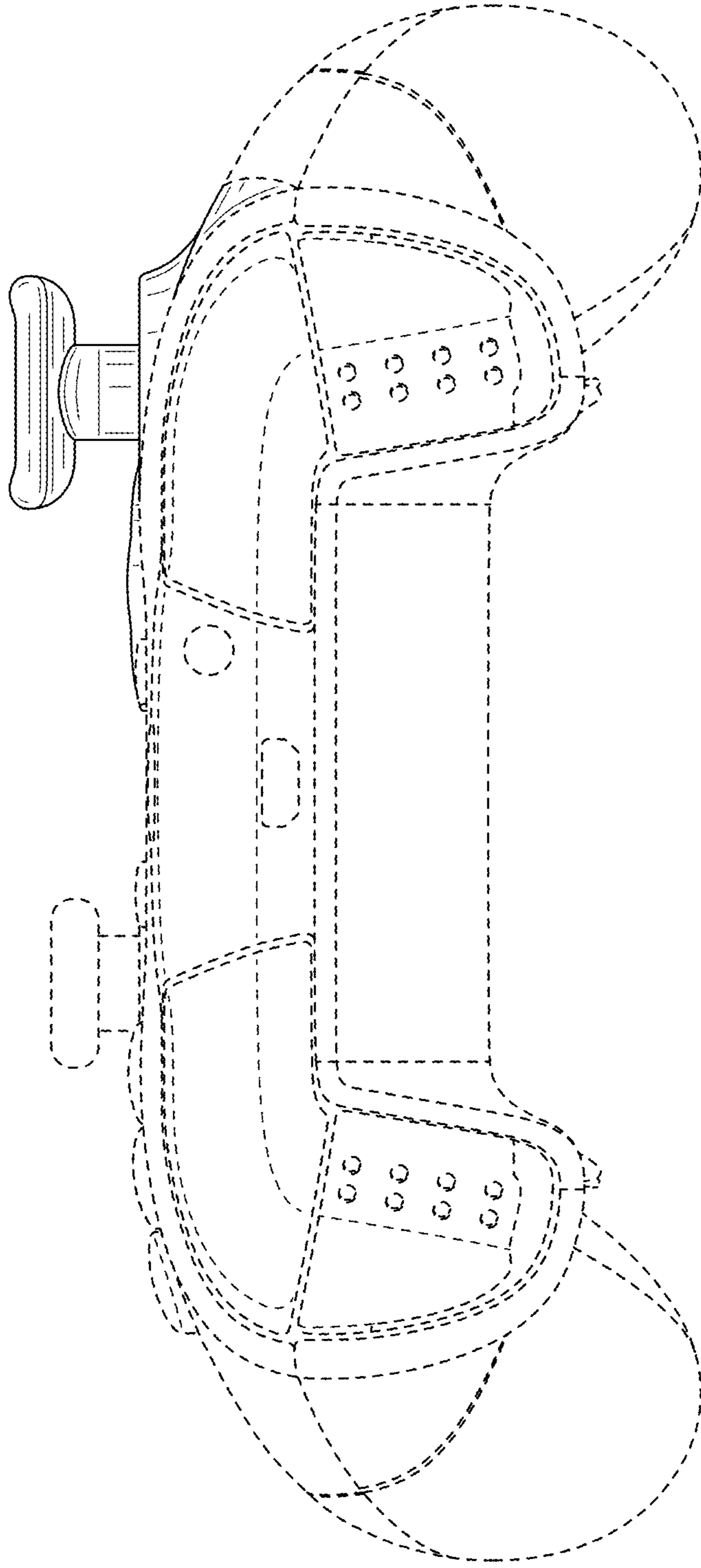


FIG. 4

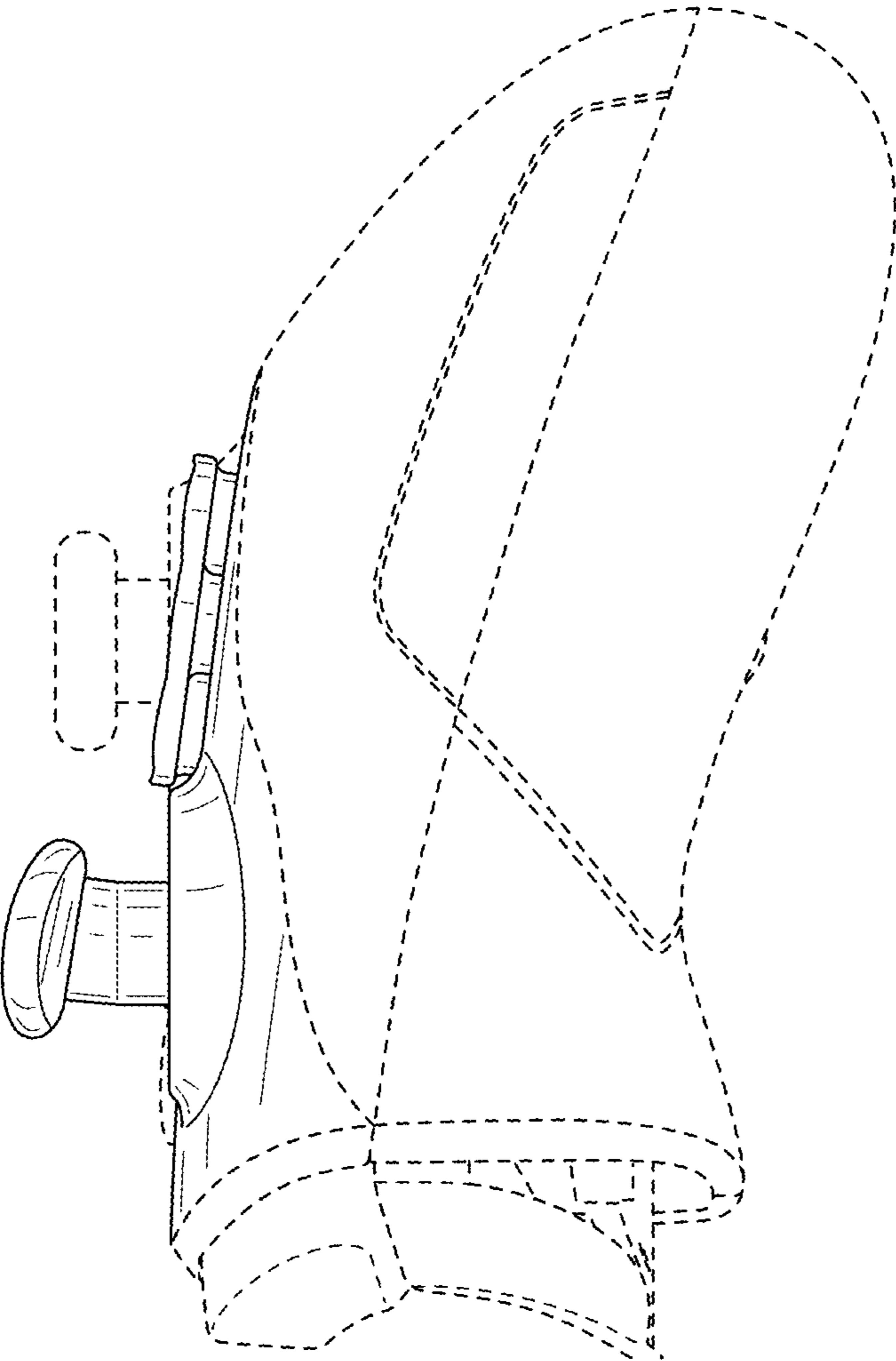


FIG. 5

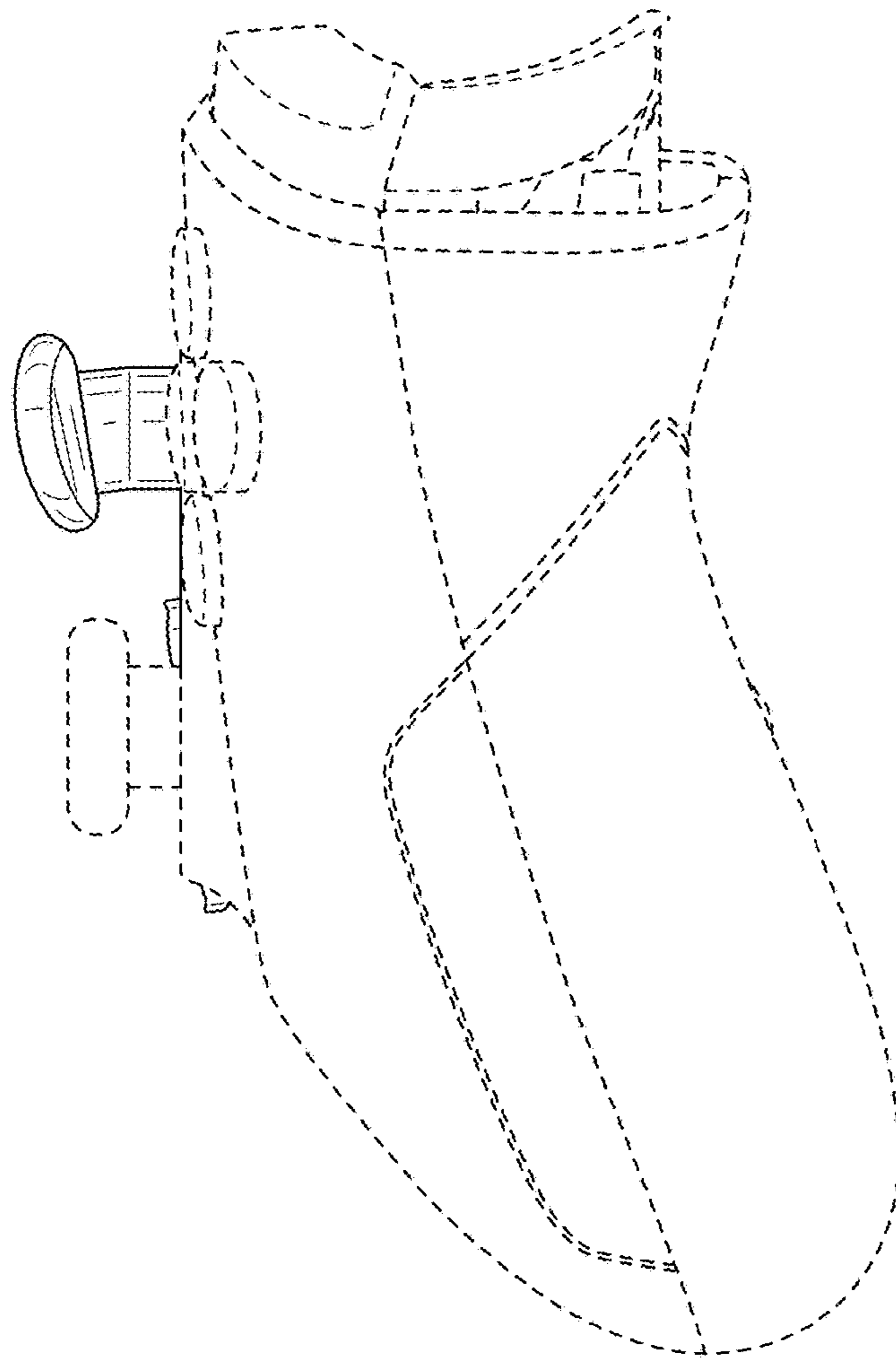


FIG. 6