



US00D778989S

(12) **United States Design Patent**
Ali et al.

(10) **Patent No.:** **US D778,989 S**

(45) **Date of Patent:** **** Feb. 14, 2017**

(54) **ADAPTER FOR VIDEO GAME CONTROLLER**

(71) Applicants: **Darren Ali**, Maple Ridge (CA); **Ken Dornbusch**, Maple Ridge (CA)

(72) Inventors: **Darren Ali**, Maple Ridge (CA); **Ken Dornbusch**, Maple Ridge (CA)

(73) Assignee: **COLLECTIVE MINDS GAMING CO. LTD.**, Maple Ridge (CA)

(**) Term: **15 Years**

(21) Appl. No.: **29/533,367**

(22) Filed: **Jul. 16, 2015**

(30) **Foreign Application Priority Data**

Jun. 9, 2015 (CA) 162784

(51) **LOC (10) Cl.** **21-01**

(52) **U.S. Cl.**
USPC **D21/333**

(58) **Field of Classification Search**
USPC D14/399-401, 412-416; D21/324, 333;
273/148 B; 463/1, 29-39, 46, 47;
345/156-161, 905
CPC A63F 13/02; A63F 13/00; A63F 11/00;
A63F 3/00; A63F 9/00; G06F
17/00; G06F 19/00; G06F 17/32; G06F
3/00

See application file for complete search history.

(56) **References Cited**

U.S. PATENT DOCUMENTS

6,210,278 B1 * 4/2001 Klitsner A63F 9/24
273/273
6,279,906 B1 * 8/2001 Sanderson A63F 13/02
273/148 B

6,572,108 B1 * 6/2003 Bristow A63F 13/06
273/148 B
6,811,491 B1 * 11/2004 Levenberg A63F 13/02
273/148 B
D610,625 S * 2/2010 Guinchard D21/333
D632,340 S * 2/2011 Guinchard D21/324
D667,892 S * 9/2012 Burgess D21/333
D685,434 S 7/2013 Ali et al.
8,641,525 B2 2/2014 Burgess et al.
D721,139 S * 1/2015 Burgess D14/401
D733,802 S * 7/2015 Burgess D14/401
D736,322 S * 8/2015 Navid D14/401
D748,734 S * 2/2016 Burgess D21/333
2014/0113723 A1 4/2014 Burgess et al.

* cited by examiner

Primary Examiner — Prabhakar Deshmukh

(74) *Attorney, Agent, or Firm* — Bennett Jones LLP

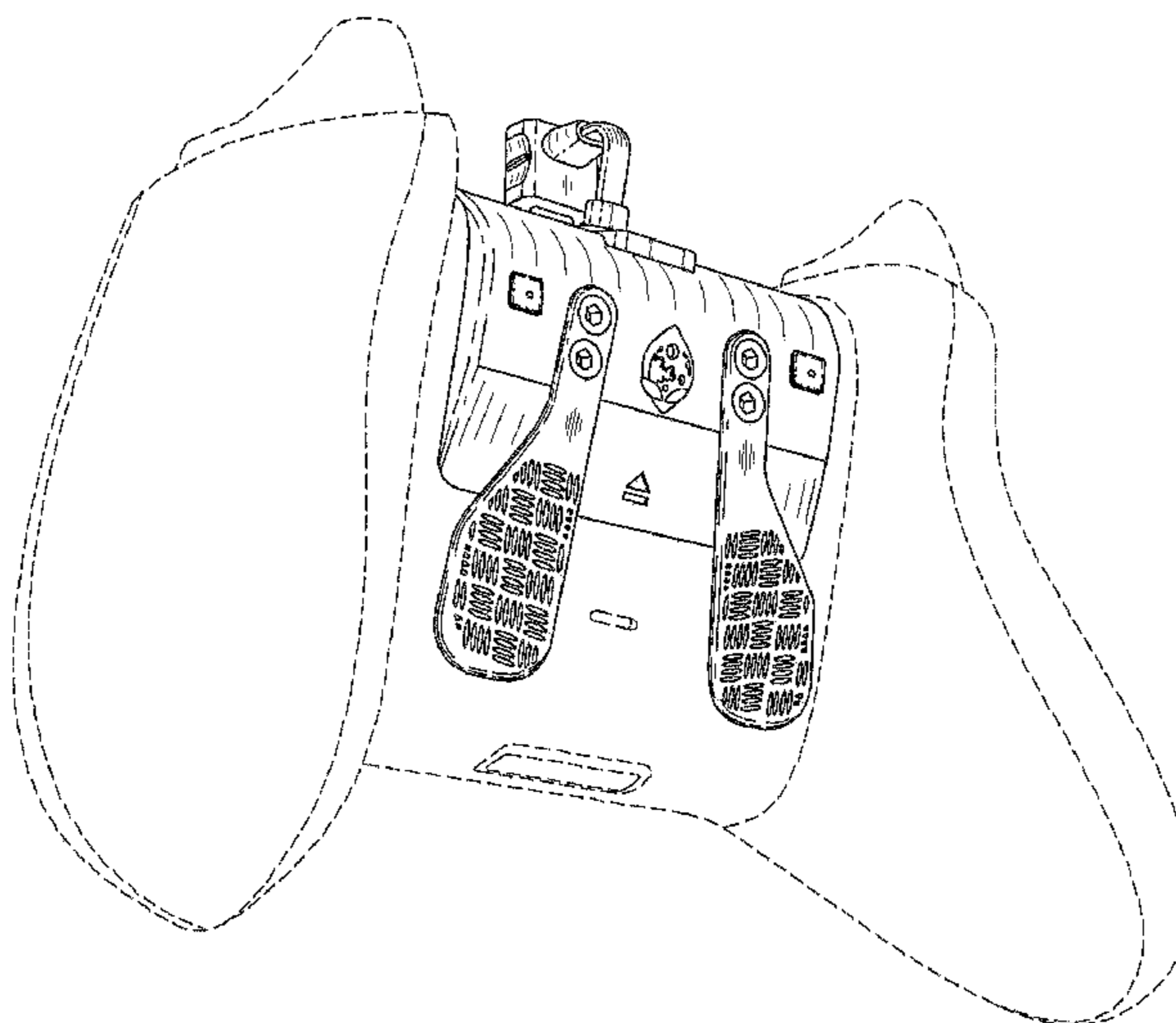
(57) **CLAIM**

The ornamental design for an adapter for video game controller, as shown and described.

DESCRIPTION

FIG. 1 is a perspective view of an adapter for video game controller showing our new design;
FIG. 2 is a front elevational view thereof;
FIG. 3 is a rear elevational view thereof;
FIG. 4 is a top plan view thereof;
FIG. 5 is a bottom plan view thereof;
FIG. 6 is a left side elevational view thereof; and,
FIG. 7 is a right side elevational view thereof.
The dash lines indicate unclaimed portions and form no part of the claimed design.

1 Claim, 7 Drawing Sheets



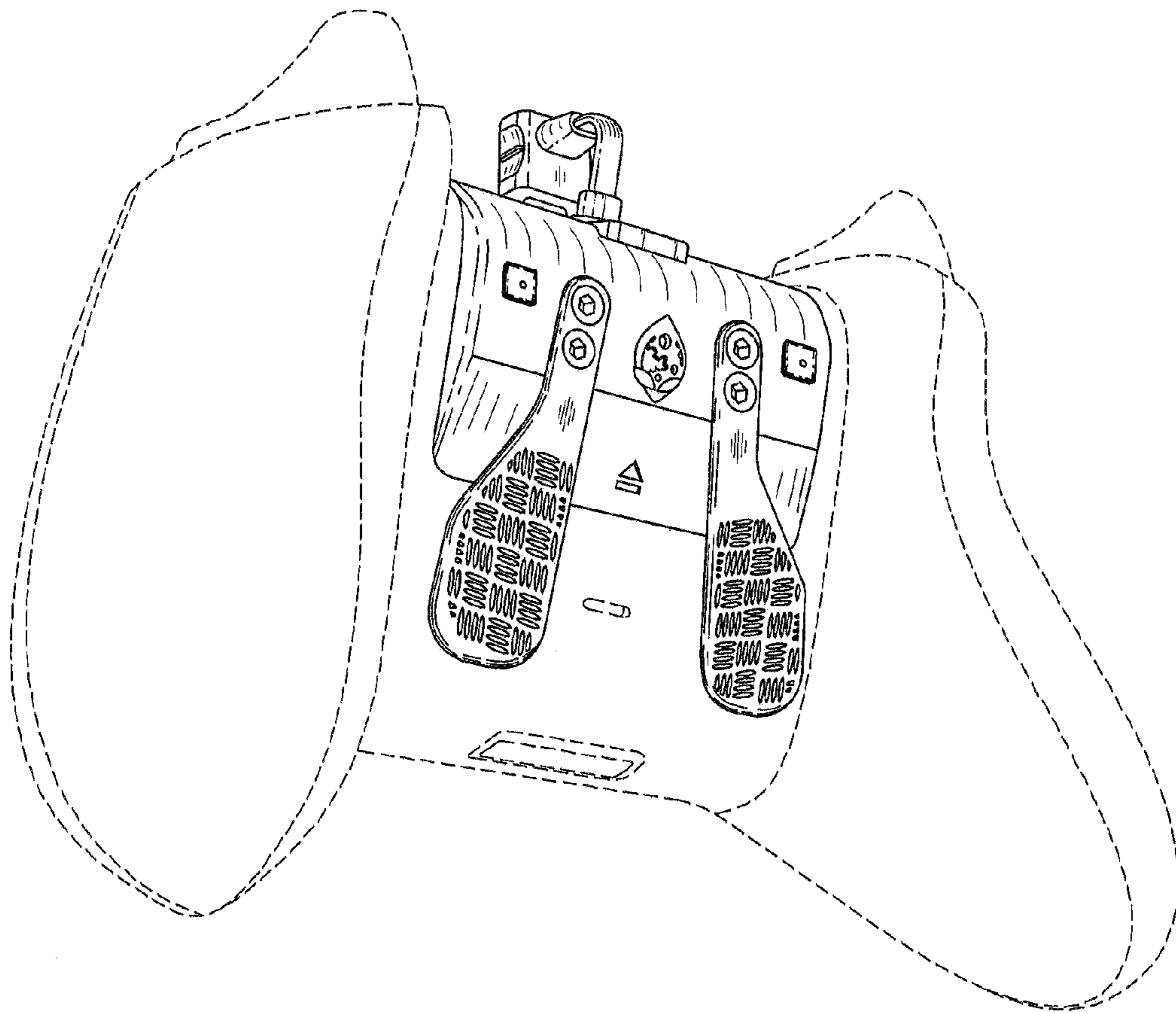


FIG. 1

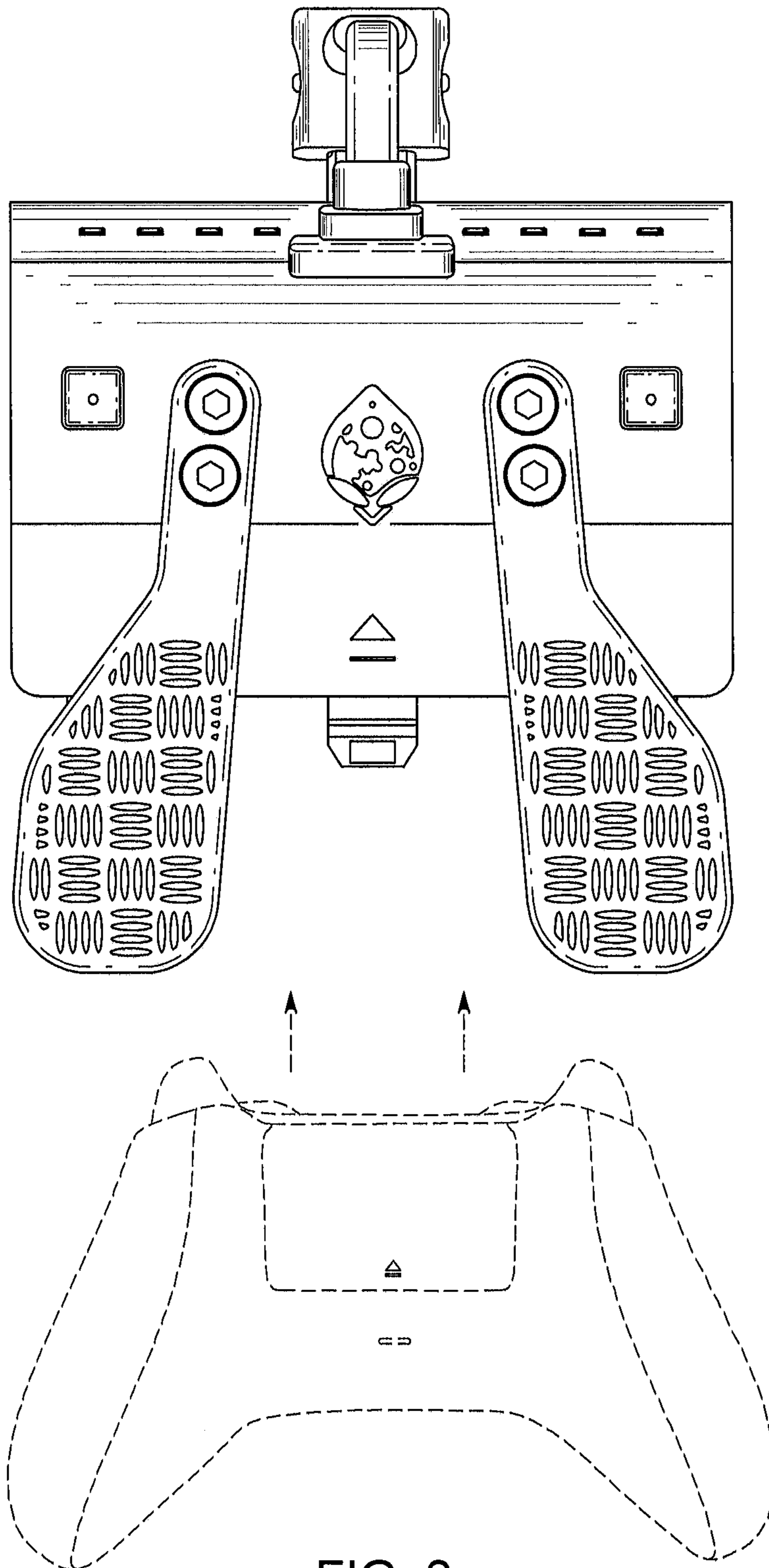


FIG. 2

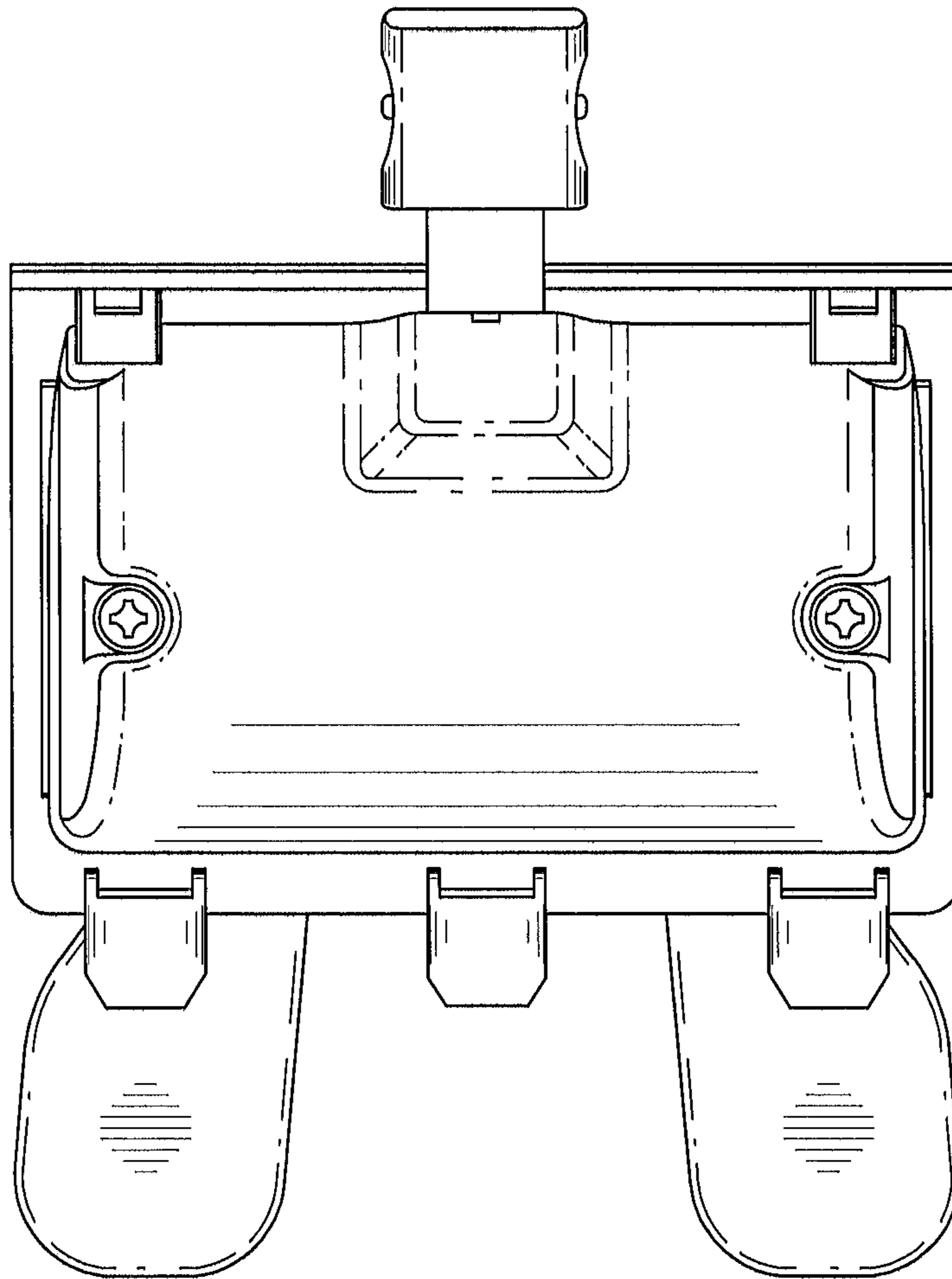


FIG. 3

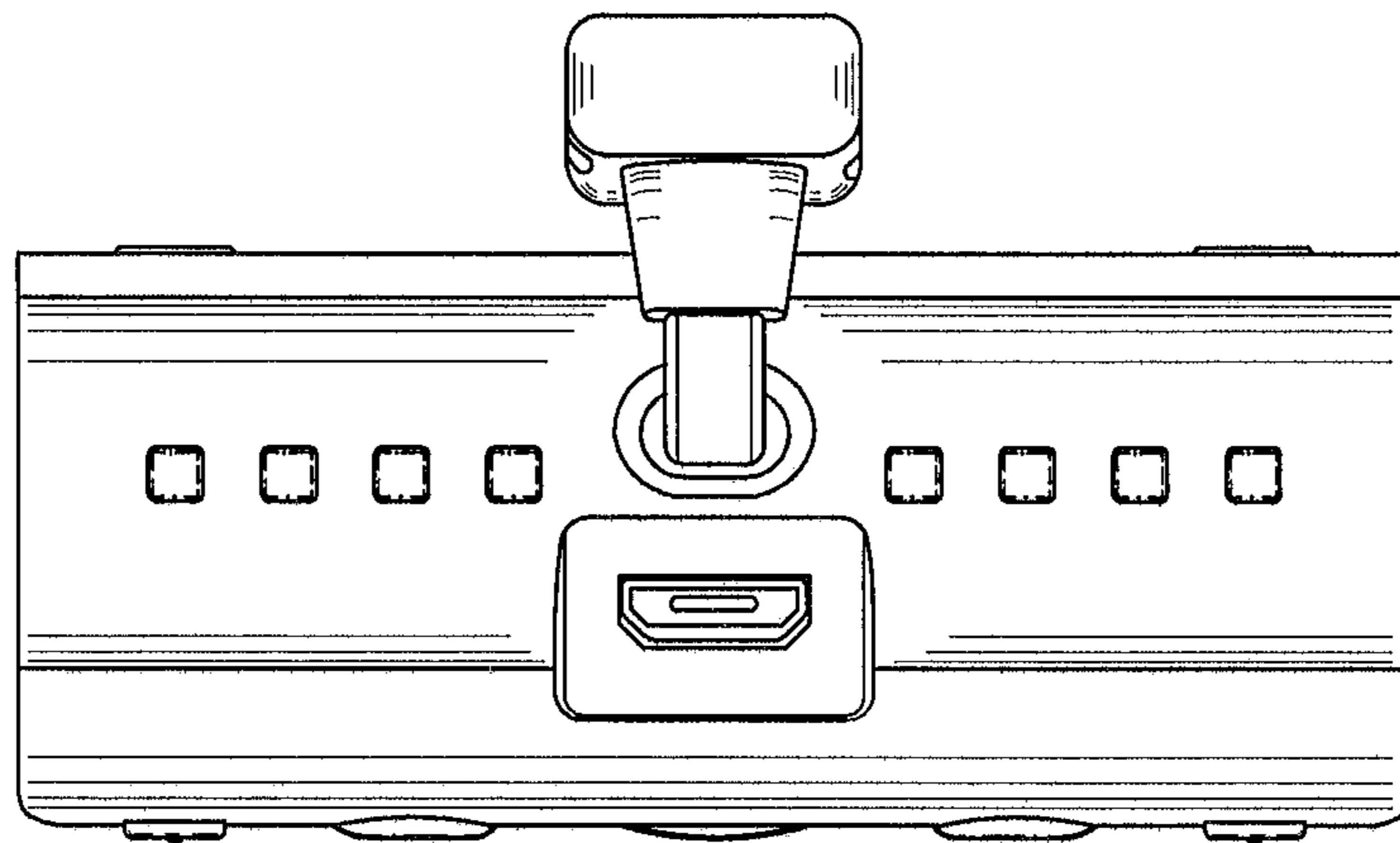


FIG. 4

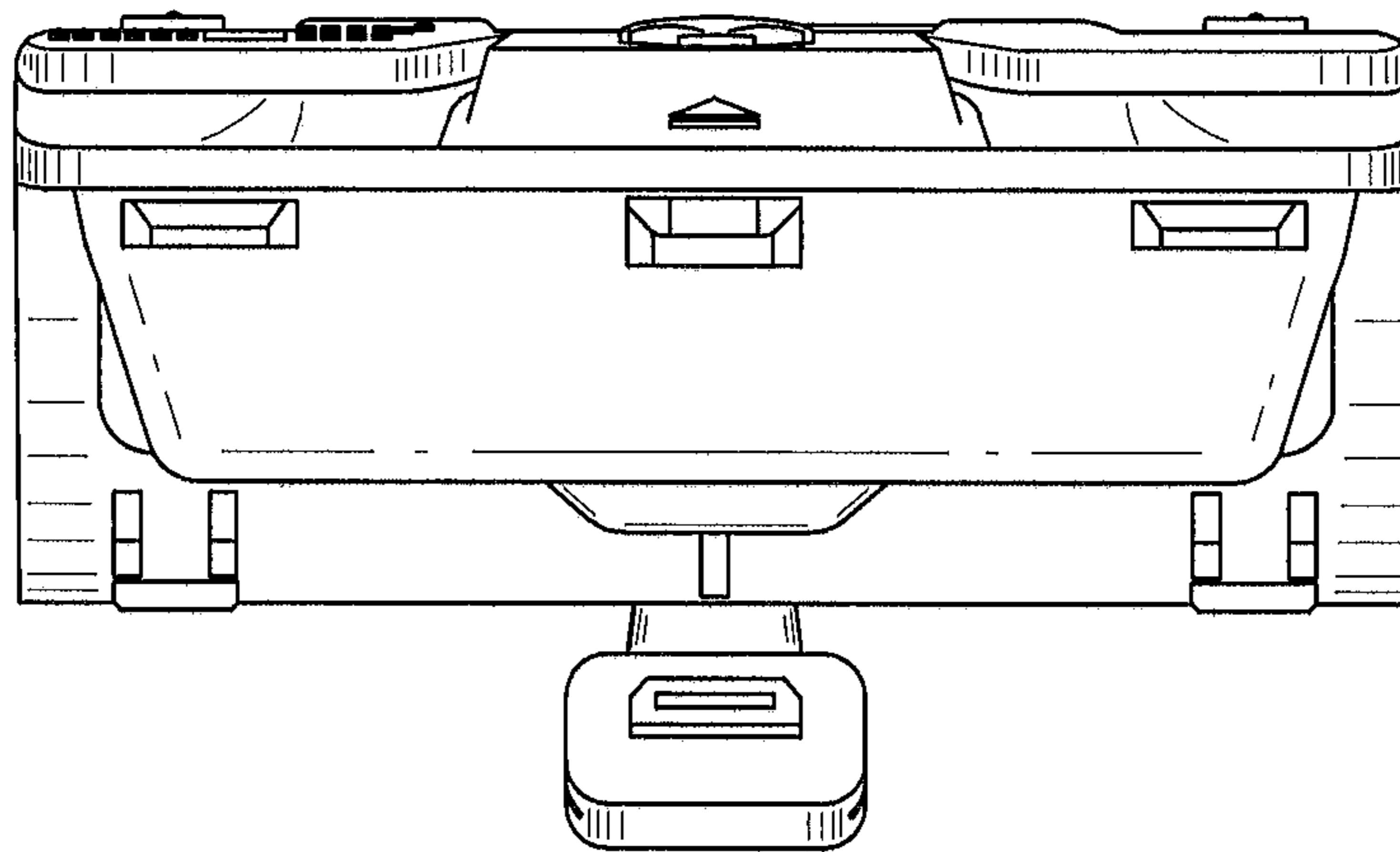


FIG. 5

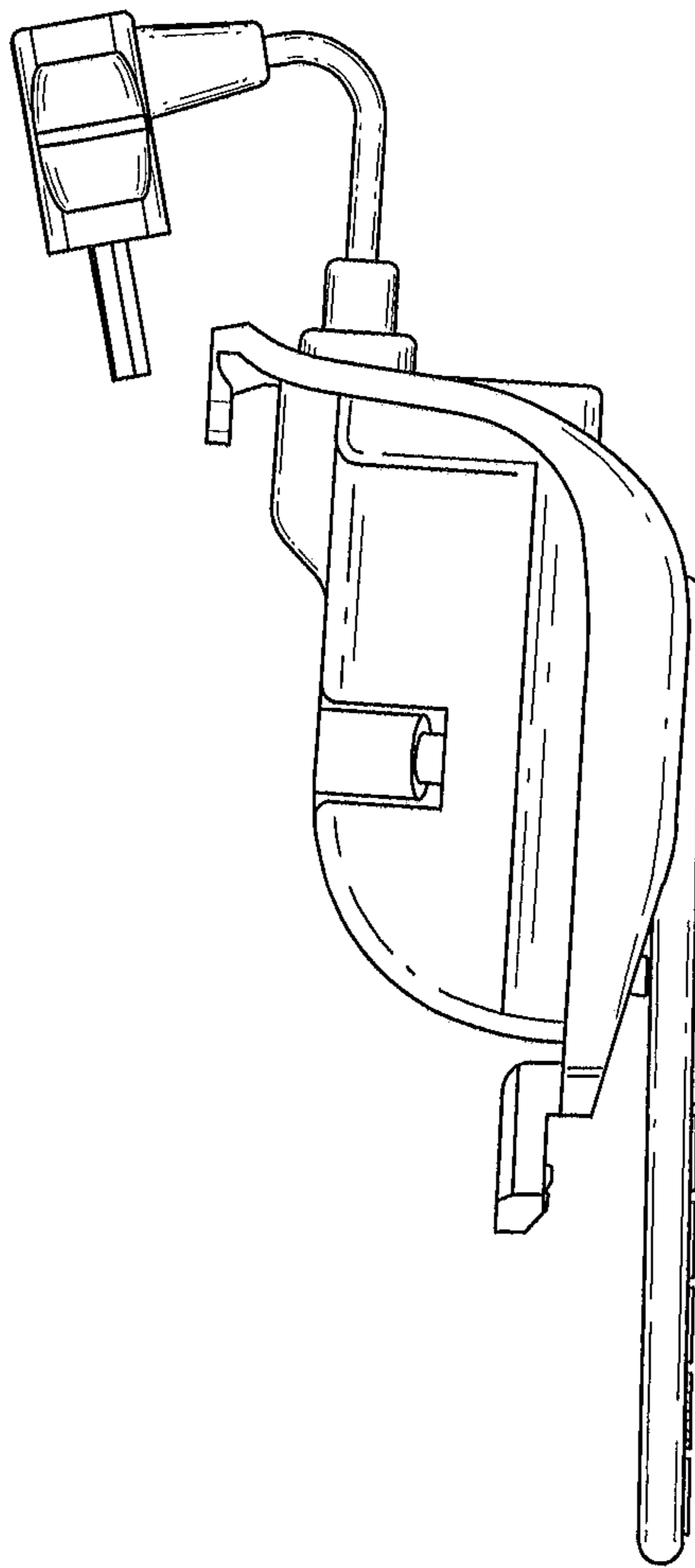


FIG. 6

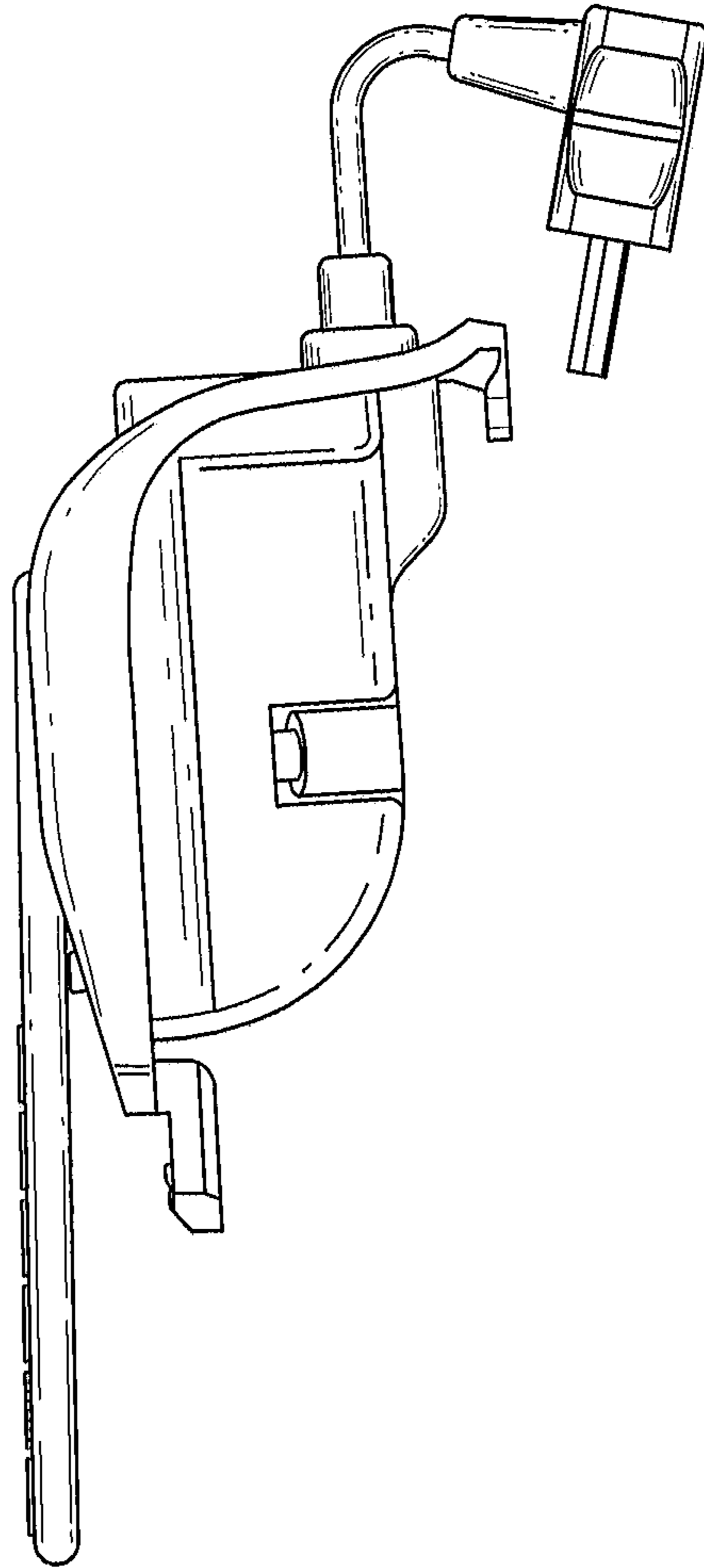


FIG. 7