



US00D778987S

(12) **United States Design Patent**
Pfaff

(10) **Patent No.:** **US D778,987 S**

(45) **Date of Patent:** **** Feb. 14, 2017**

(54) **GOLF COURSE SIGN**

(71) Applicant: **PLASTRONICS SOCKET PARTNERS, LTD.**, Irving, TX (US)

(72) Inventor: **Wayne K Pfaff**, Irving, TX (US)

(73) Assignee: **Plastronics Socket Partners, Ltd.**, Irving, TX (US)

(**) Term: **15 Years**

(21) Appl. No.: **29/561,505**

(22) Filed: **Apr. 15, 2016**

(51) **LOC (10) Cl.** **20-03**

(52) **U.S. Cl.**
USPC **D20/29; D20/41**

(58) **Field of Classification Search**
USPC D20/10, 19, 29, 41, 42, 99; D10/109.1, D10/113.4
CPC G09F 5/00; G09F 7/00; G09F 13/00; G09F 19/00; F16M 13/02
See application file for complete search history.

(56) **References Cited**

U.S. PATENT DOCUMENTS

D204,309 S * 4/1966 Murray D20/18
D247,590 S * 3/1978 Atherton D20/41

D378,223 S * 2/1997 Goodwin D20/41
D392,328 S * 3/1998 Johansson D20/29
D432,583 S * 10/2000 Zalon D20/41
D476,373 S * 6/2003 Blasbalg D20/29
8,720,844 B2 * 5/2014 Westimayer F16M 13/02
248/218.4

* cited by examiner

Primary Examiner — Mary Ann Calabrese

(74) *Attorney, Agent, or Firm* — Mark W Handley

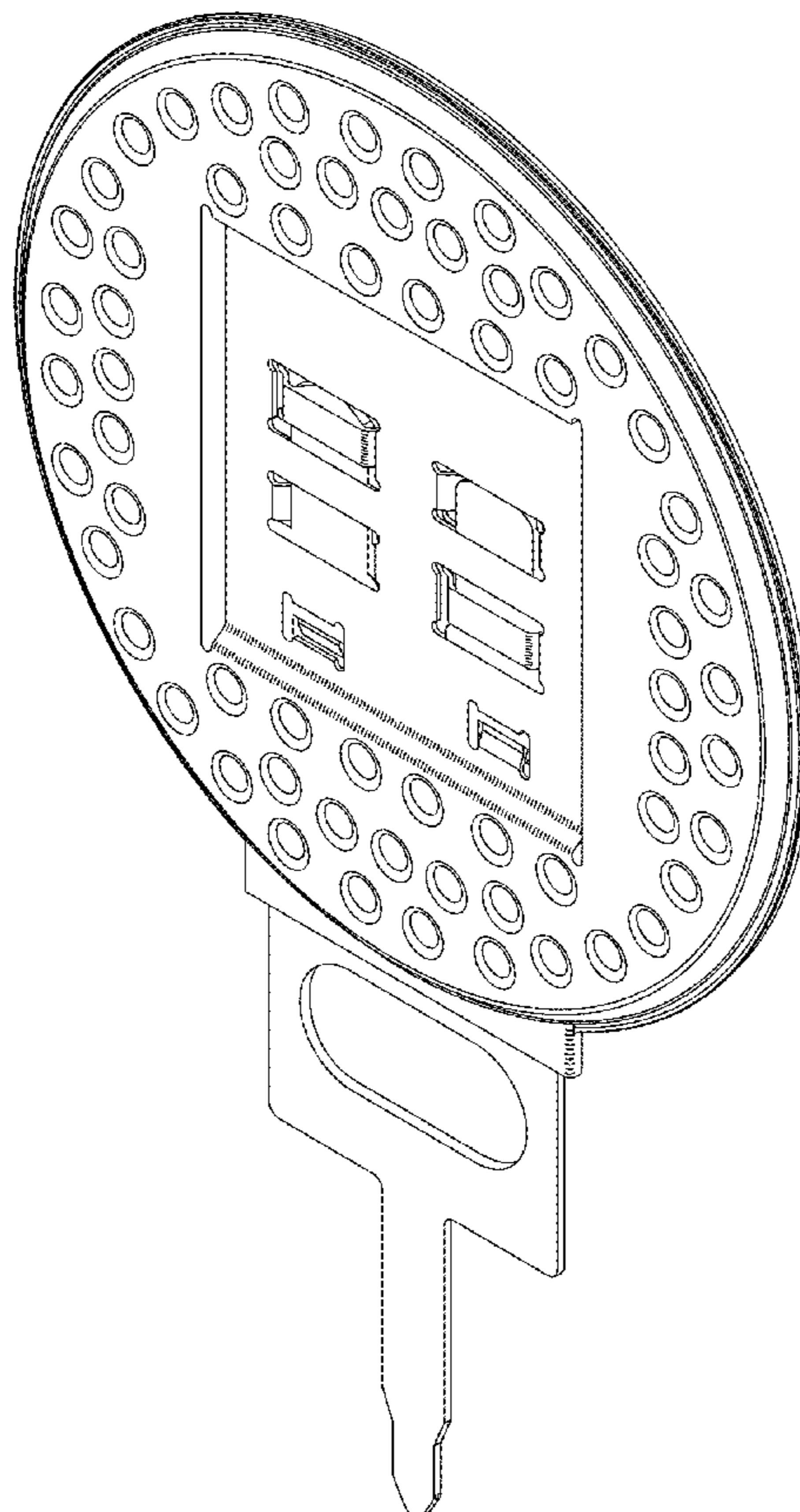
(57) **CLAIM**

I claim the ornamental design for a golf course sign, as shown and described.

DESCRIPTION

FIG. 1 is a perspective view of a golf course sign embodying my design;
FIG. 2 is a front view of the golf course sign;
FIG. 3 is a rear view of the golf course sign;
FIG. 4 is a top view of the golf course sign;
FIG. 5 is a bottom view of the golf course sign;
FIG. 6 is a left view of the golf course sign; and,
FIG. 7 is a right view of the golf course sign.

1 Claim, 5 Drawing Sheets



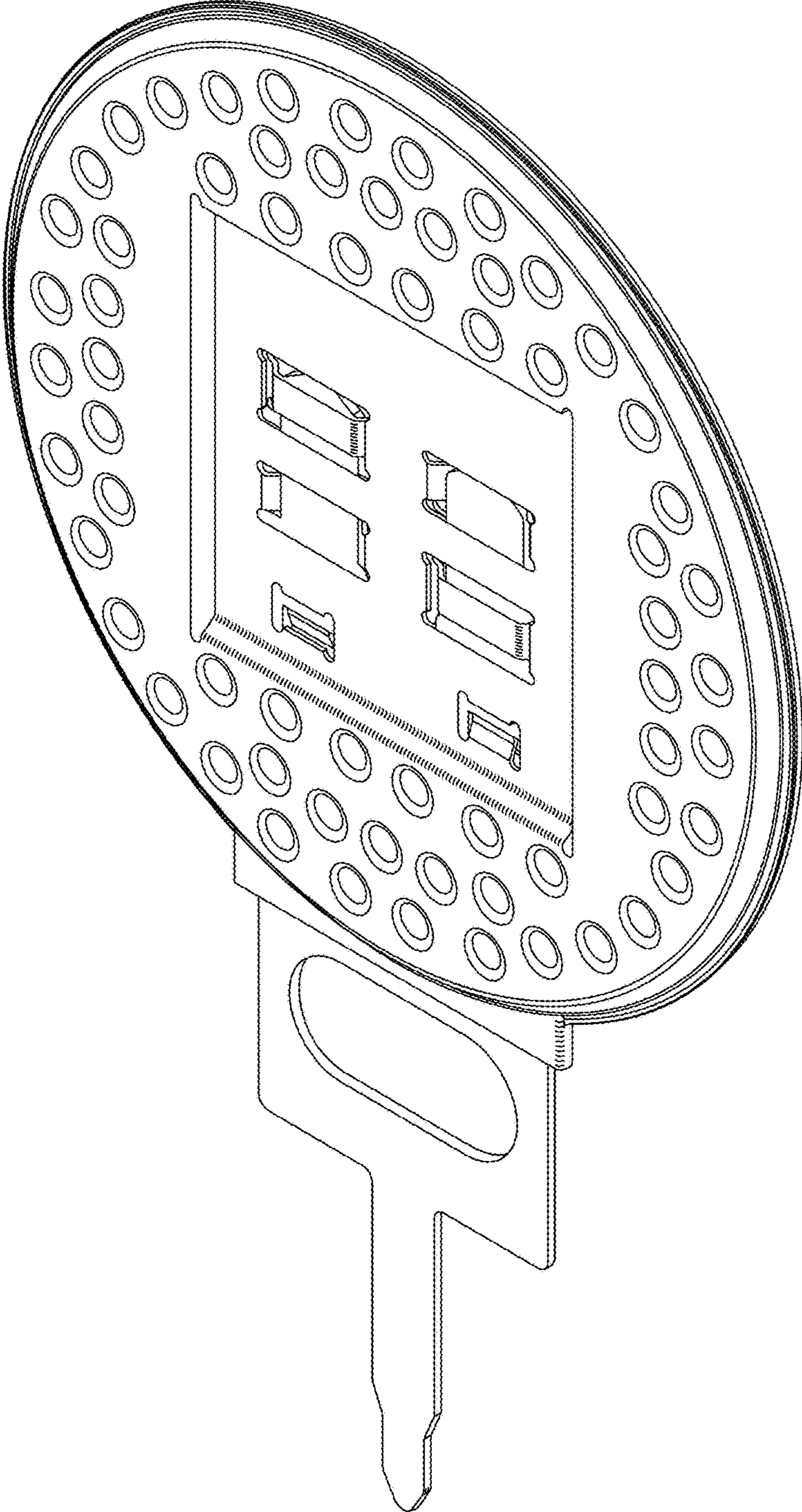


FIG. 1

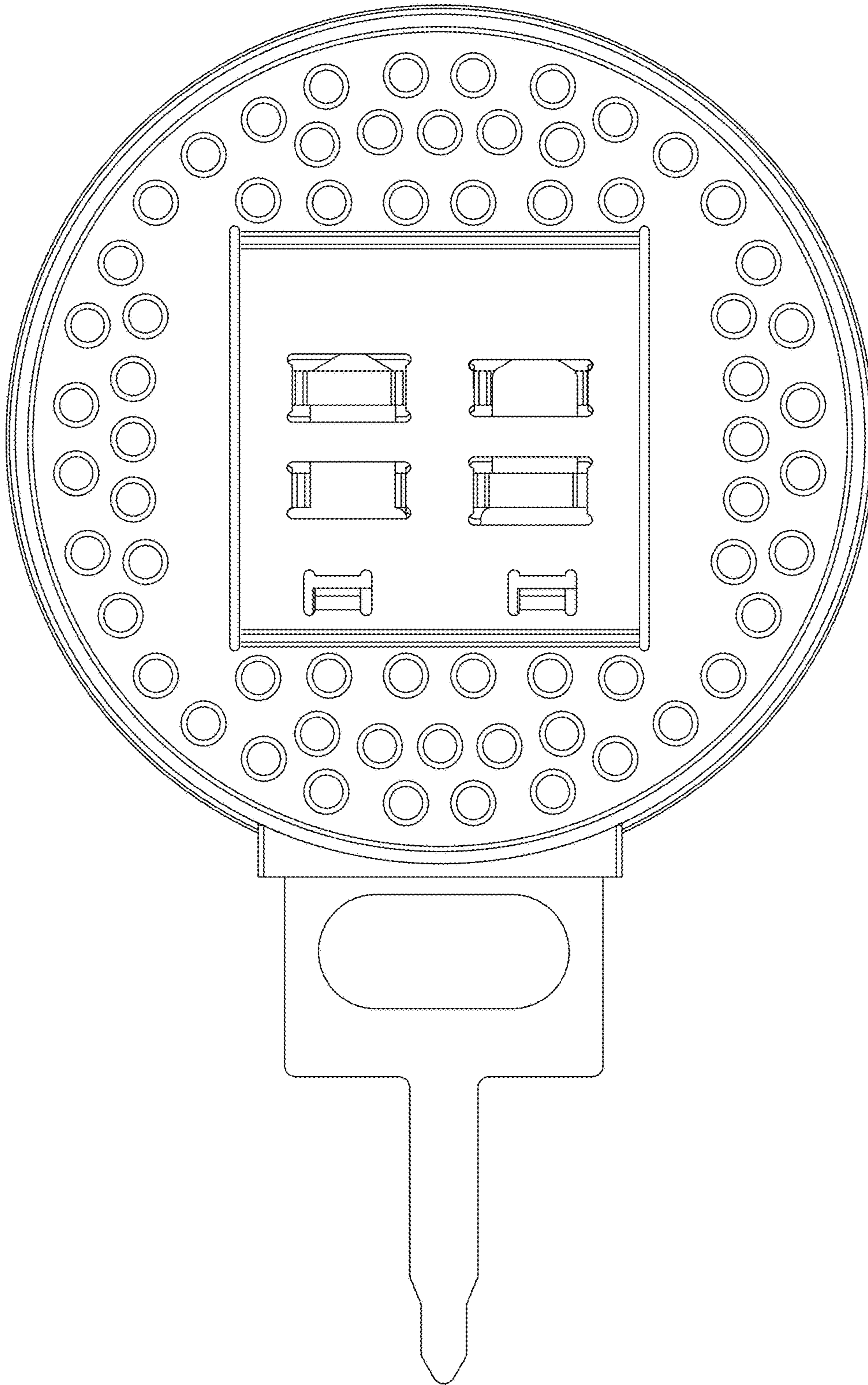


FIG. 2

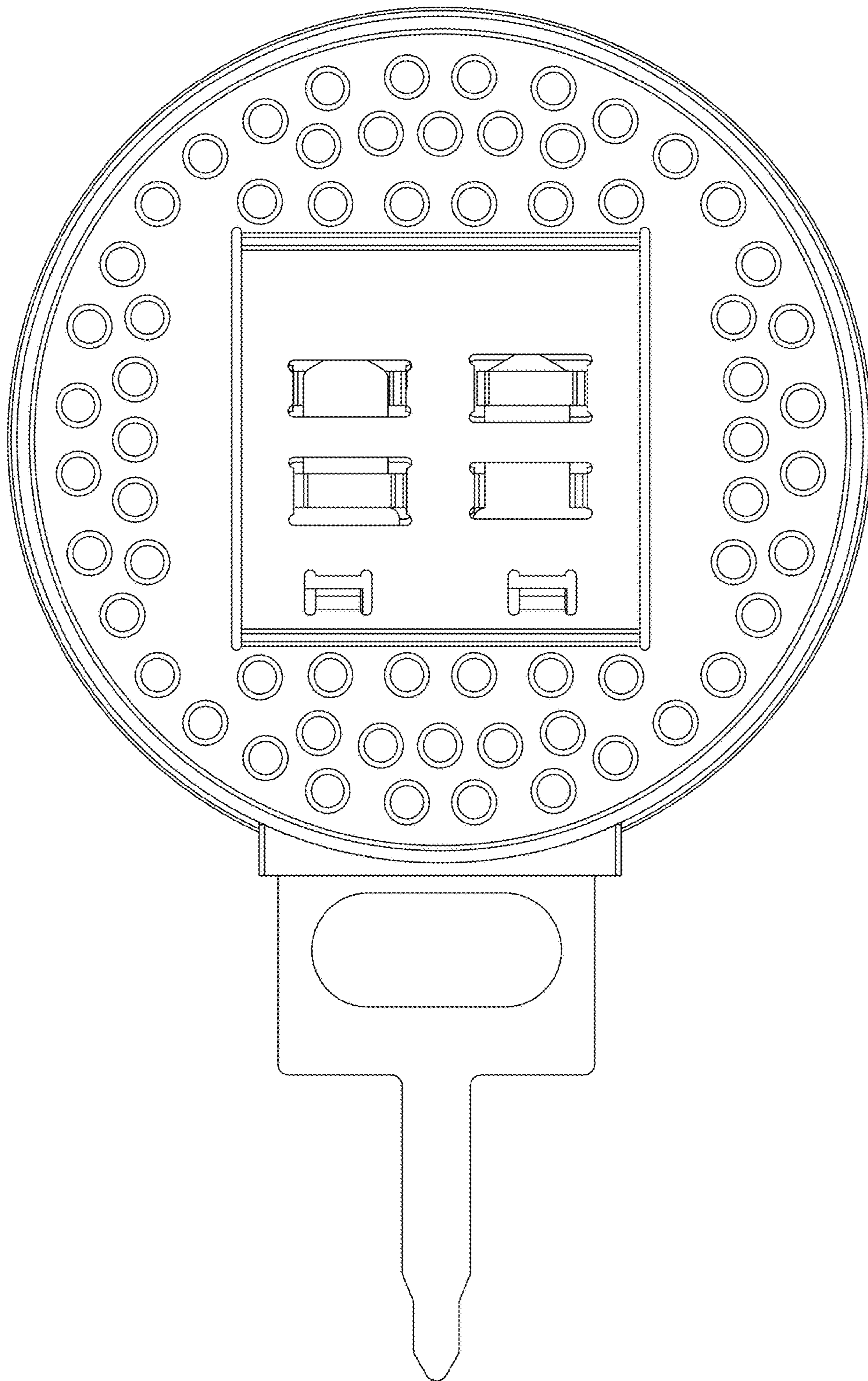


FIG. 3

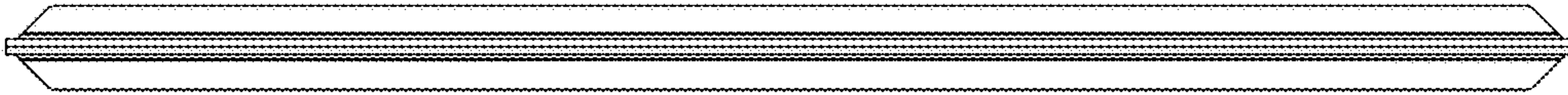


FIG. 4

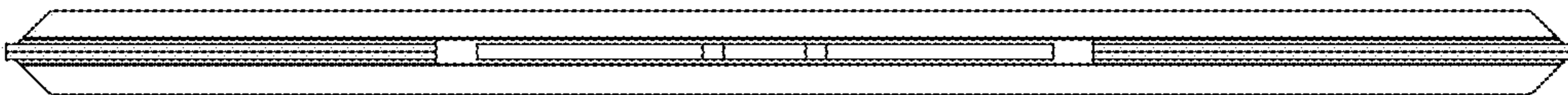


FIG. 5

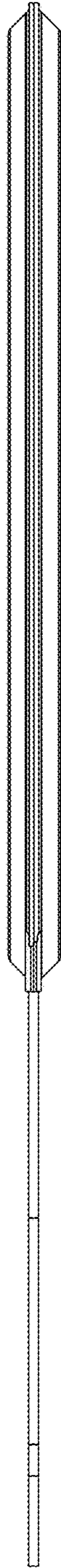


FIG. 6

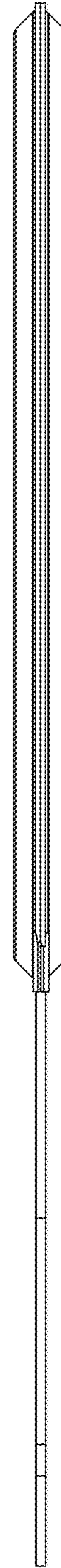


FIG. 7