



US00D778985S

(12) **United States Design Patent**
Greenman

(10) **Patent No.:** **US D778,985 S**

(45) **Date of Patent:** **** Feb. 14, 2017**

(54) **TAPE DISPENSING TOOL**

(71) Applicant: **Mark Greenman**, Sherman Oaks, CA
(US)

(72) Inventor: **Mark Greenman**, Sherman Oaks, CA
(US)

(**) Term: **15 Years**

(21) Appl. No.: **29/527,742**

(22) Filed: **May 21, 2015**

(51) **LOC (10) Cl.** **08-02**

(52) **U.S. Cl.**
USPC **D19/69**

(58) **Field of Classification Search**
USPC . D10/71; D19/69; D24/189; D5/99; 33/494,
33/758, 562, 759; 101/288; 206/390;
40/638, 641; 428/43; D7/585; D20/22, 42;
D13/182
CPC C08F 220/18
See application file for complete search history.

(56) **References Cited**

U.S. PATENT DOCUMENTS

D198,347 S *	6/1964	Powers	D19/67
D317,540 S *	6/1991	Reid	D19/67
D374,894 S *	10/1996	Towns	D19/67
D417,237 S *	11/1999	Packard	D10/72
D421,057 S *	2/2000	Hummell	D19/65
D439,616 S *	3/2001	Katami	D19/67
D456,449 S *	4/2002	Dunshee	D19/67
D463,496 S *	9/2002	Holbrook	D19/67

D476,369 S *	6/2003	Suzuki	D19/67
D649,591 S *	11/2011	Lee	D19/67
D750,170 S *	2/2016	Lehmann	D19/67

OTHER PUBLICATIONS

Atwood, Peter; "Roll Bars"; Planet Pocket Tool; <http://atwoodknives.blogspot.com/2014/11/roll-bars.html>; Nov. 16, 2014; 6 pages.

* cited by examiner

Primary Examiner — Austin Murphy

(74) *Attorney, Agent, or Firm* — Stetina Brunda Garred & Brucker

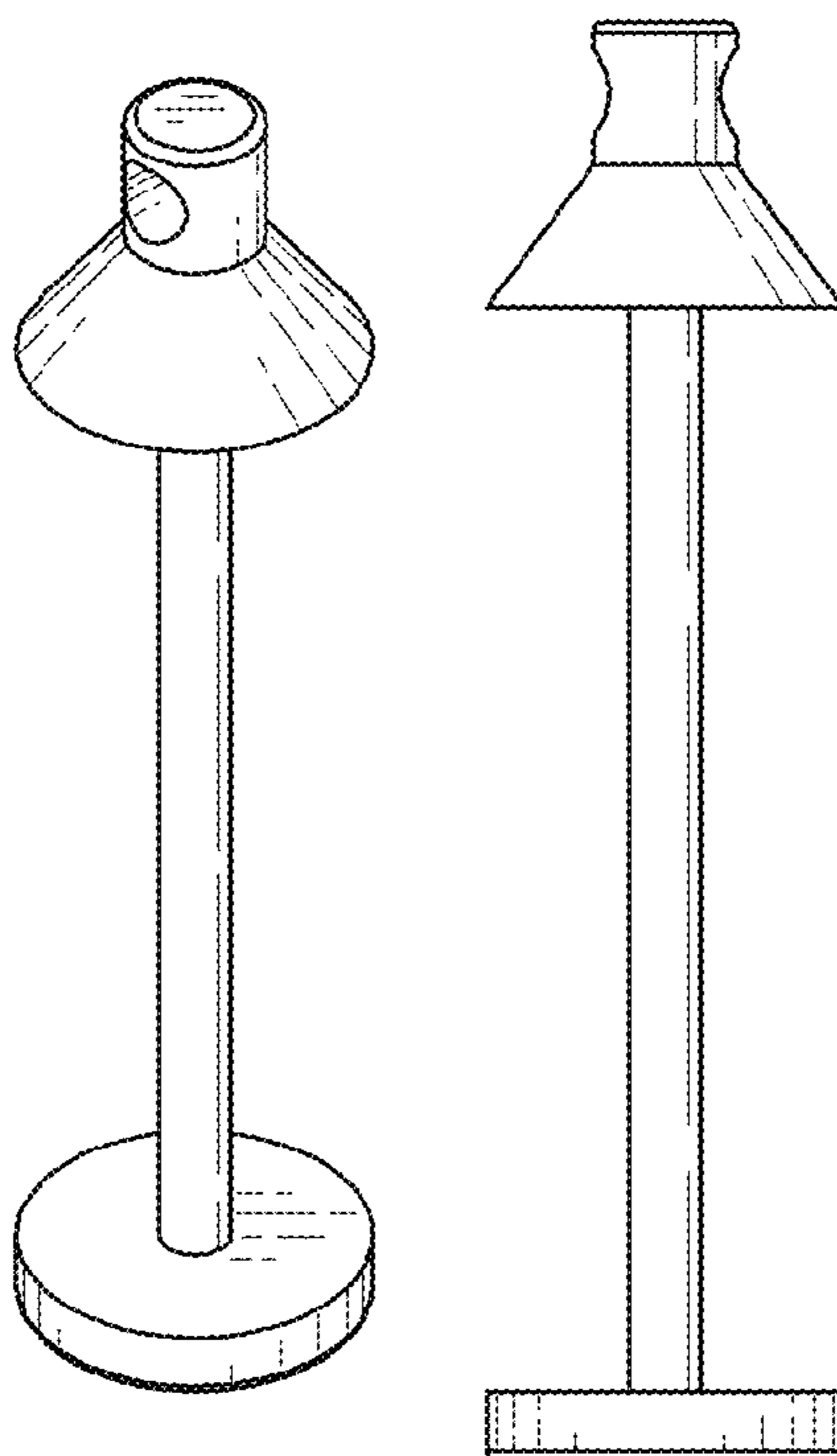
(57) **CLAIM**

The ornamental design for a tape dispensing tool, as shown and described.

DESCRIPTION

FIG. 1 is a perspective view of a first embodiment of the tape dispensing tool;
FIG. 2 is a top plan view of the first embodiment of the tape dispensing tool;
FIG. 3 is a left side view of the first embodiment of the tape dispensing tool;
FIG. 4 is a front view of the first embodiment of the tape dispensing tool;
FIG. 5 is a right side view of the first embodiment of the tape dispensing tool; and,
FIG. 6 is a bottom plan view of the first embodiment of the tape dispensing tool.

1 Claim, 1 Drawing Sheet



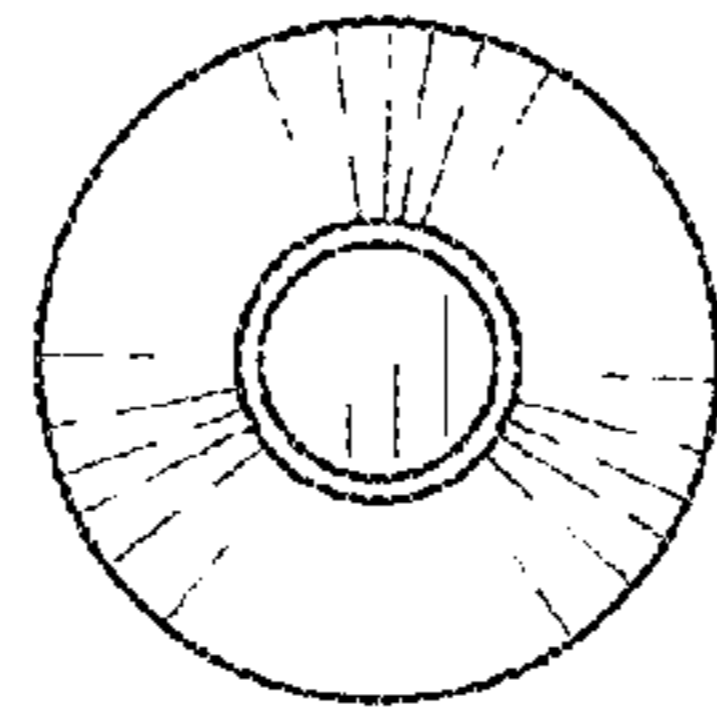
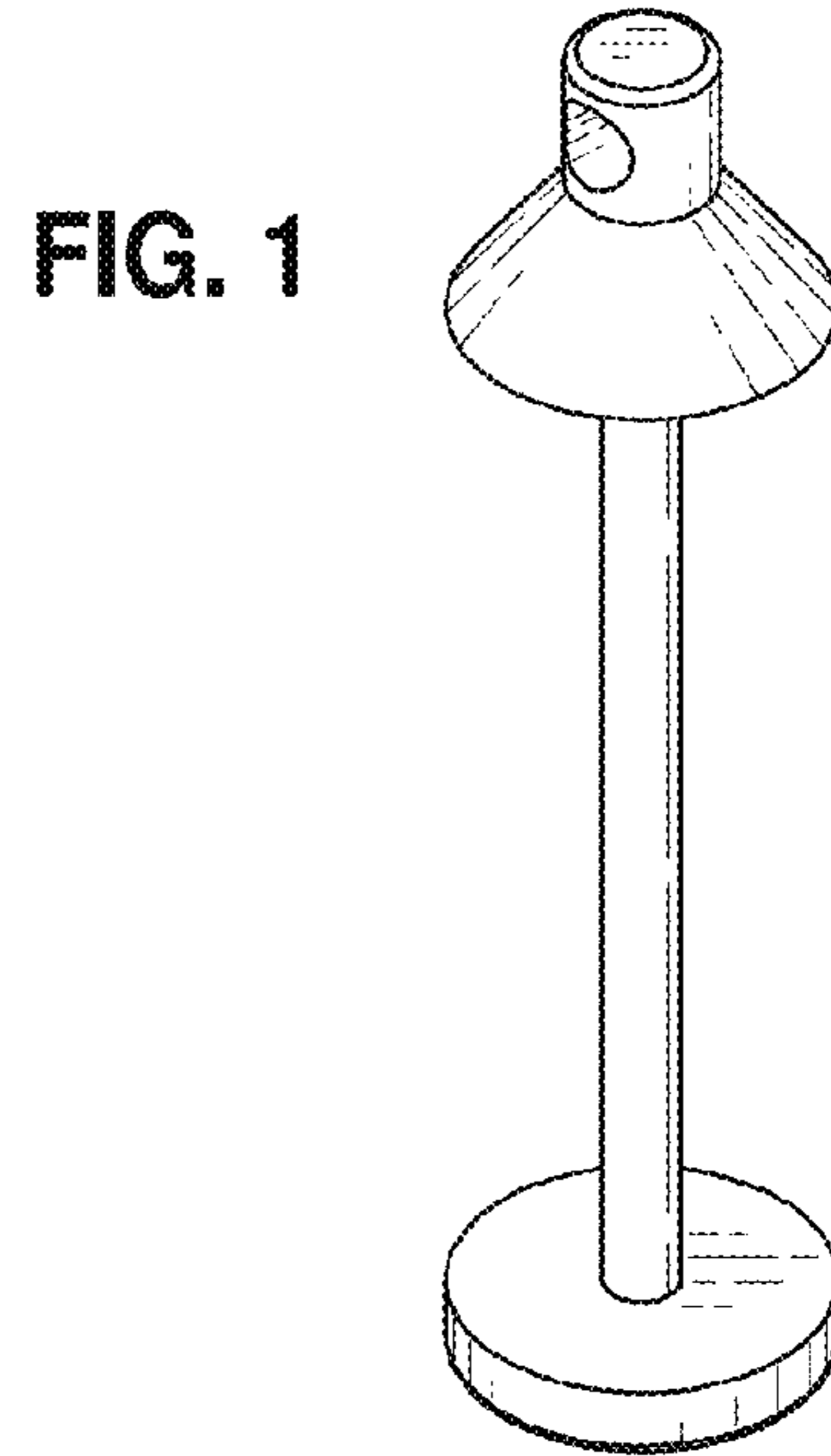


FIG. 2

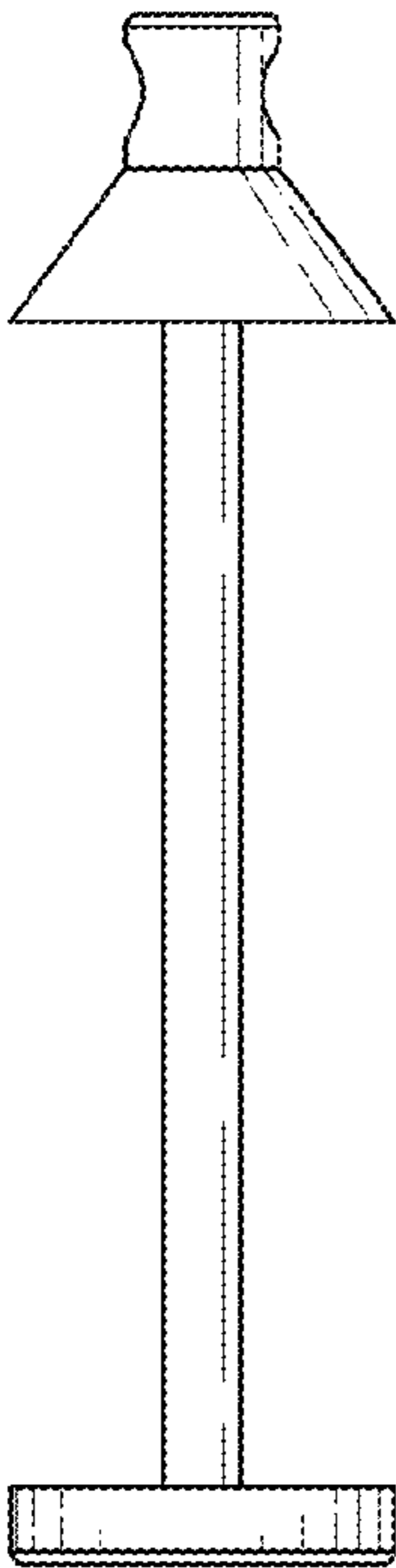


FIG. 3

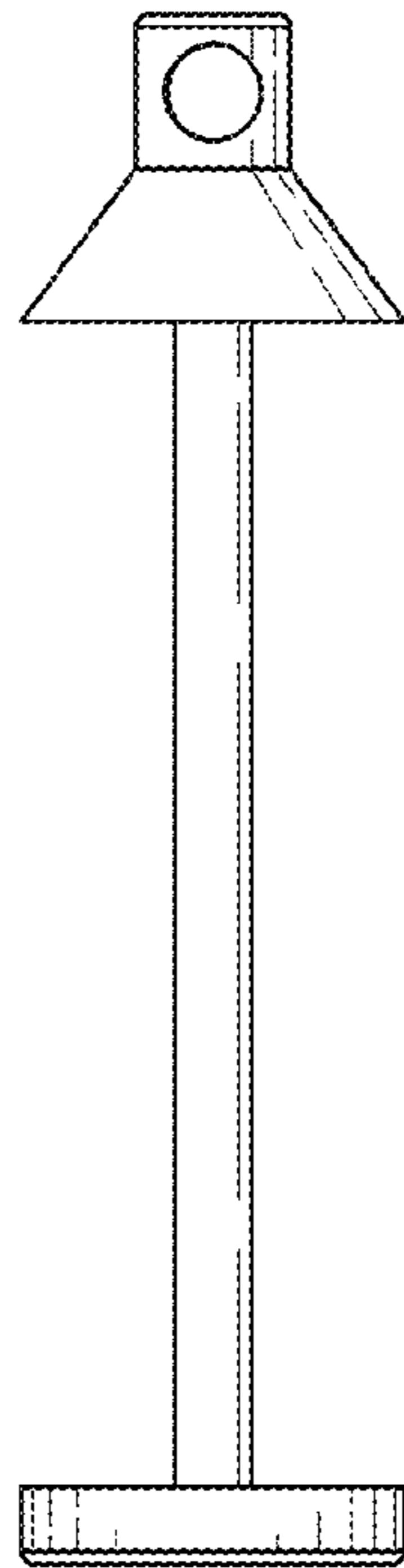


FIG. 4

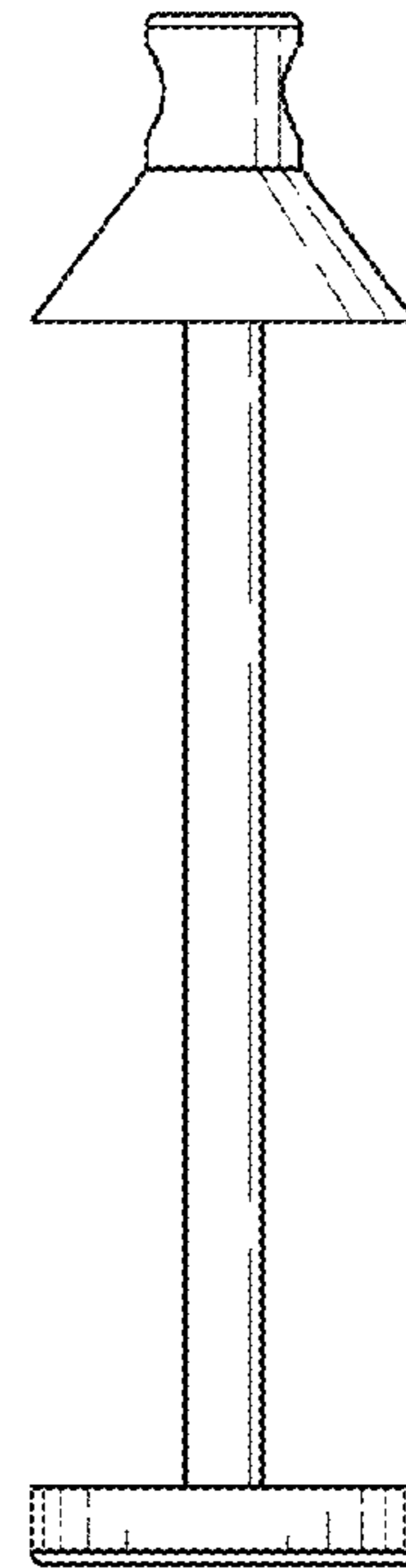


FIG. 5

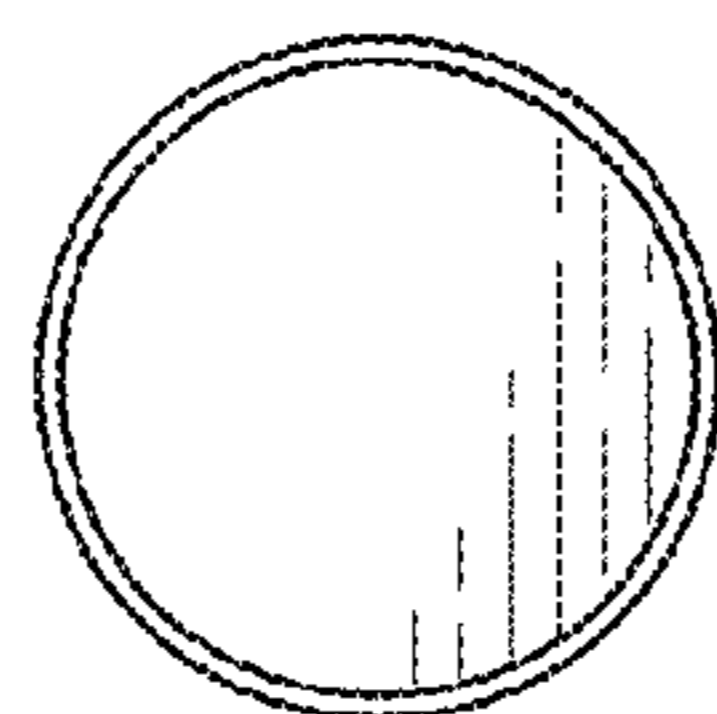


FIG. 6