



US00D778984S

(12) **United States Design Patent** (10) **Patent No.:** **US D778,984 S**  
**Kim et al.** (45) **Date of Patent:** **\*\* Feb. 14, 2017**

(54) **PAPER SUPPORT FOR MULTI-FUNCTION PRINTER**

(71) Applicant: **Samsung Electronics Co., Ltd.**,  
Suwon-si (KR)  
(72) Inventors: **Jong Kyu Kim**, Yongin-si (KR); **Min Chul Kim**, Seoul (KR); **Seung Wook Jeong**, Seoul (KR)  
(73) Assignee: **Samsung Electronics Co., Ltd.**,  
Suwon-si (KR)

(\*\*) Term: **15 Years**  
(21) Appl. No.: **29/533,180**  
(22) Filed: **Jul. 15, 2015**

(30) **Foreign Application Priority Data**

Jan. 30, 2015 (KR) ..... 30-2015-0005252

(51) **LOC (10) Cl.** ..... **18-02**

(52) **U.S. Cl.**  
USPC ..... **D18/56**

(58) **Field of Classification Search**  
USPC ..... D18/36, 43, 39, 46, 47, 34.3, 50, 56  
CPC ..... G03G 15/0836; G03G 15/0837; G03G 15/0867; G03G 15/0832; G03G 15/0834; G03G 15/0877; G03G 15/0868; G03G 15/50; G03G 15/0872; G03G 15/0898; G03G 15/5016; G03G 15/60; G03G 15/65  
See application file for complete search history.

(56) **References Cited**

**U.S. PATENT DOCUMENTS**

4,269,502 A \* 5/1981 Tsuda ..... G03G 15/60  
355/51  
D264,219 S \* 5/1982 Plumb ..... D18/36  
D363,924 S \* 11/1995 Ueda ..... D14/422

(Continued)

**OTHER PUBLICATIONS**

Epson WorkForce WF-7620 All-in-One Printer, announced May 14, 2015 [online], [site visited Sep. 15, 2016]. Available from internet, URL: <http://www.epson.com/cgi-bin/Store/jsp/Product/Specifications.do?UseCookie=yes&sku=C11CC97201#5>.\*

(Continued)

*Primary Examiner* — Karen Kearney  
*Assistant Examiner* — Karra S Johnson  
(74) *Attorney, Agent, or Firm* — NSIP Law

(57) **CLAIM**

We claim the ornamental design for a paper support for multi-function printer, as shown and described.

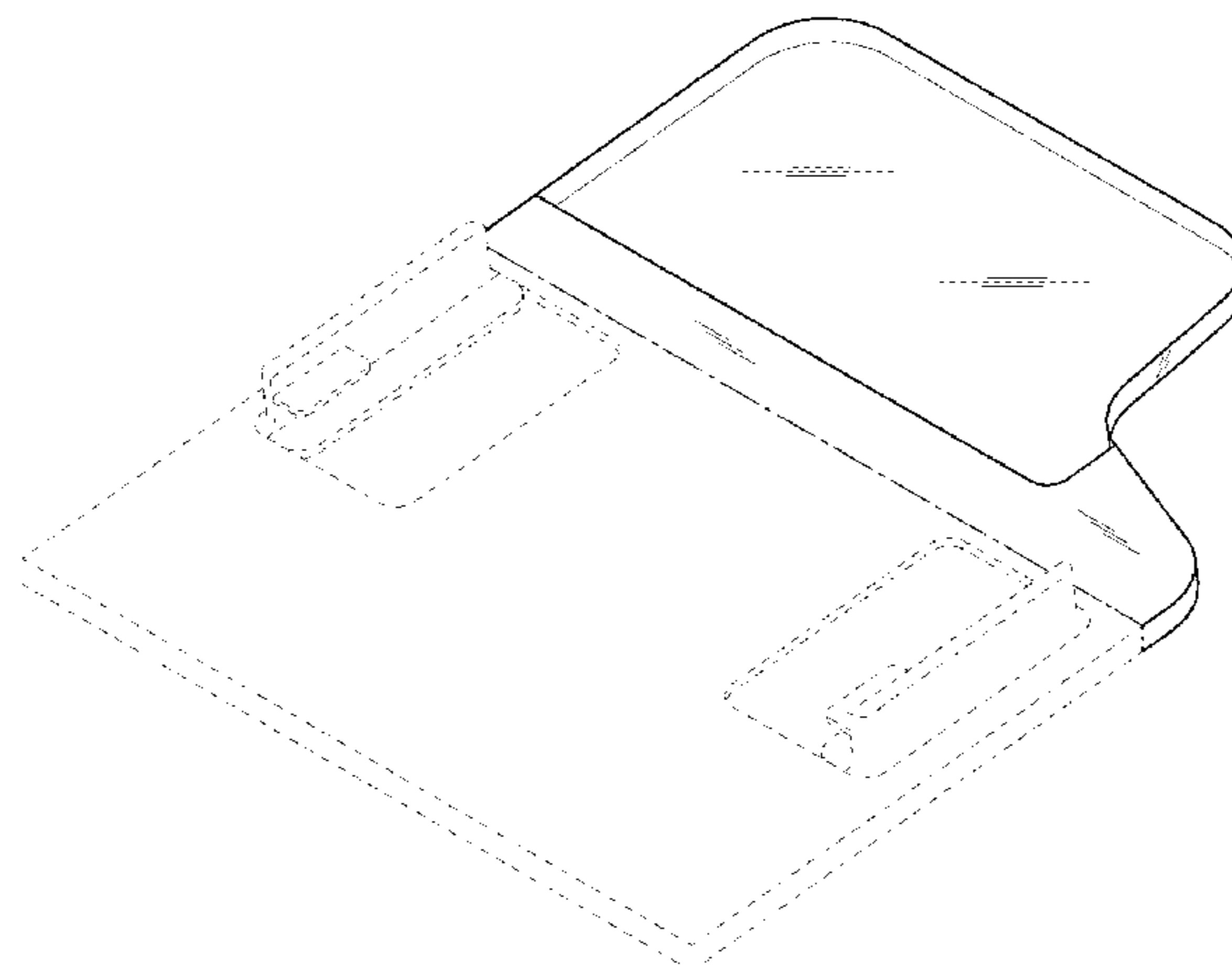
**DESCRIPTION**

FIG. 1 is a front perspective view of a paper support for multi-function printer, showing our new design; FIG. 2 is a front view thereof; FIG. 3 is a rear view thereof; FIG. 4 is a left-side view thereof; FIG. 5 is a right-side view thereof; FIG. 6 is a top view thereof; FIG. 7 is a bottom view thereof; and, FIG. 8 is another front perspective thereof, in which a multi-function printer in broken lines is provided to illustrate an example environment.

The broken lines illustrating portions of the paper support for multi-function printer are for environmental purposes only and form no part of the claimed design. The dot-dash lines in the figures represent an unclaimed boundary line and form no part of the claimed design.

The oblique lines in the drawings represent transparency.

**1 Claim, 5 Drawing Sheets**



(56)

References Cited

U.S. PATENT DOCUMENTS

D423,040 S \* 4/2000 Ohta ..... D18/36  
 D537,109 S \* 2/2007 Mizusugi ..... D18/39  
 D537,866 S \* 3/2007 Matsuda ..... D18/39  
 D577,763 S \* 9/2008 Hidaka ..... D18/39  
 D579,973 S \* 11/2008 Park ..... D14/421  
 D626,587 S \* 11/2010 Ishio ..... D18/39  
 D626,588 S \* 11/2010 Kim ..... D18/39  
 D664,190 S \* 7/2012 Matsuda ..... D18/39  
 D695,339 S \* 12/2013 Fukasawa ..... D18/53  
 D697,966 S \* 1/2014 Fukasawa ..... D18/55  
 D697,967 S \* 1/2014 Fukasawa ..... D18/55  
 D698,389 S \* 1/2014 Fukasawa ..... D18/55  
 D701,563 S \* 3/2014 Kim ..... D18/39  
 D702,760 S \* 4/2014 Kim ..... D18/55  
 D724,142 S \* 3/2015 Kim ..... D18/55  
 D726,249 S \* 4/2015 Kim ..... D18/53  
 D726,250 S \* 4/2015 Kim ..... D18/55  
 D726,251 S \* 4/2015 Kim ..... D18/55  
 D742,960 S \* 11/2015 Lee ..... D18/50  
 D752,135 S \* 3/2016 Uchikawa ..... D18/39  
 D755,286 S \* 5/2016 Kim ..... D18/55  
 D763,958 S \* 8/2016 Kim ..... D18/53  
 D767,676 S \* 9/2016 So ..... D18/56  
 2005/0175371 A1\* 8/2005 Kunugi ..... G03G 15/5016  
 399/107  
 2006/0028432 A1\* 2/2006 Seki ..... G03G 15/502  
 345/156  
 2006/0171734 A1\* 8/2006 Maeda ..... G03G 15/5016  
 399/81  
 2008/0240766 A1\* 10/2008 Sugihara ..... G03G 15/5016  
 399/81  
 2009/0060612 A1\* 3/2009 Kohara ..... G03G 15/5016  
 399/397

2009/0066644 A1\* 3/2009 Endoh ..... G03G 15/502  
 345/157  
 2009/0316193 A1\* 12/2009 Kohara ..... G03G 15/5016  
 358/1.15  
 2010/0182654 A1\* 7/2010 Kohara ..... G03G 15/5016  
 358/474  
 2015/0281521 A1\* 10/2015 Takeuchi ..... G03G 15/5016  
 399/81

OTHER PUBLICATIONS

Samsung C460FW review, announced May 16, 2014 [online], [site visited Sep. 15, 2016]. Available from internet, URL: <<http://www.expertreviews.co.uk/printers/53541/samsung-c460fw-review>>.\*  
 Samsung Xpress SI-c480fw Laser Multifunction Printer, announced Nov. 25, 2014 [online], [site visited Sep. 15, 2016]. Available from internet, URL: <<https://www.walmart.com/ip/Samsung-Xpress-SI-c480fw-Laser-Multifunction-Printer-Color-Plain-Paper-Print-Desktop-Copier-fax-printer-scanner-19-Ppm-Mono-4-Ppm-Color-Prin/50988457>>.\*  
 DocuPrint CM405df, announced Nov. 2, 2013 [online], [site visited Sep. 15, 2016]. Available from internet, URL: <<http://www.fujixeroxprinters.in.th/en/products/colourprinters/docuprintcm405df.aspx>>.\*  
 DocuPrint M255 z, announced Aug. 12, 2012 [online], [site visited Sep. 15, 2016]. Available from internet, URL: <<http://www.fujixeroxprinters.com.au/en/products/multifunctionprinters/docuprintm255z.aspx>>.\*  
 WorkCentre 5765/5775/5790, announced Jul. 18, 2016 [online], [site visited Sep. 15, 2016]. Available from internet, URL: <<http://www.office.xerox.com/multifunction-printer/multifunction-over-30ppm/workcentre-5765-5775-5790/enus.html>>.\*

\* cited by examiner

FIG.1

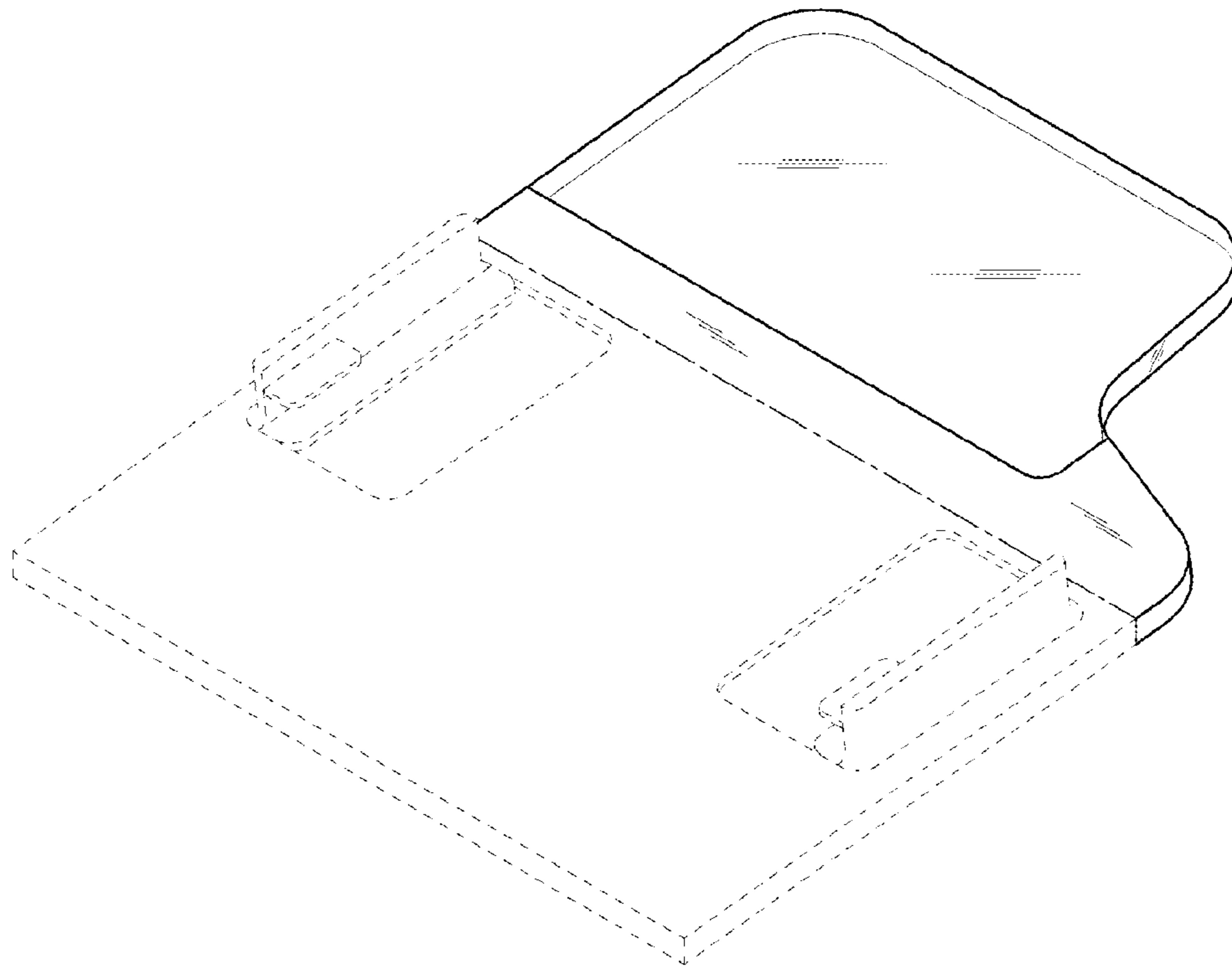


FIG.2

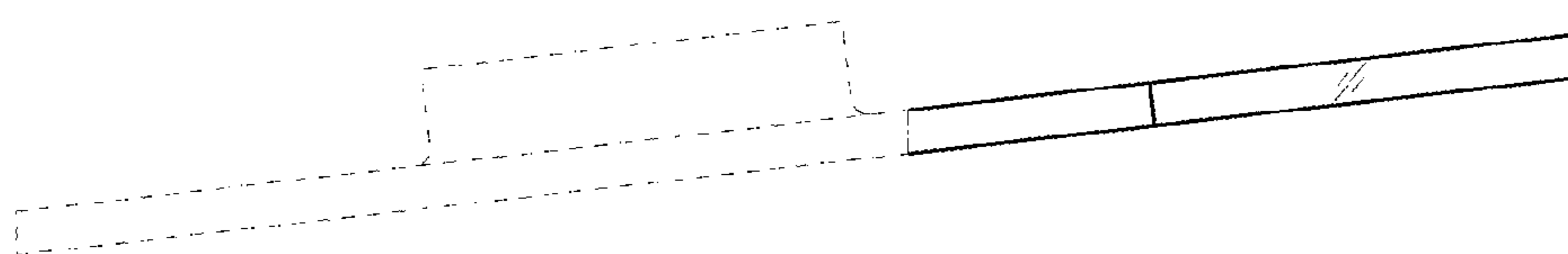


FIG.3

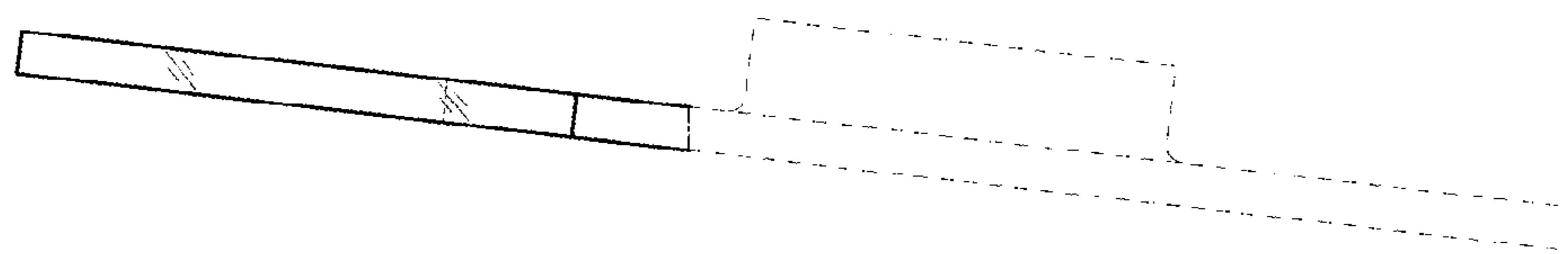


FIG.4

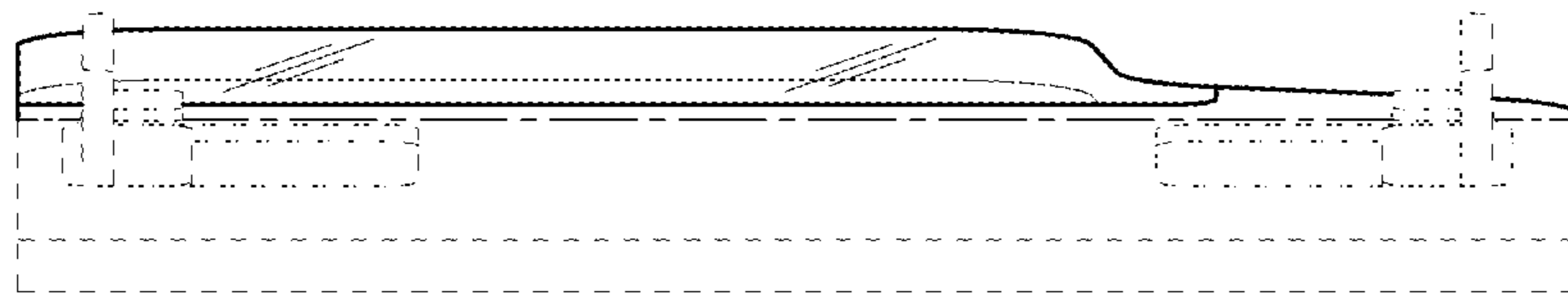


FIG.5

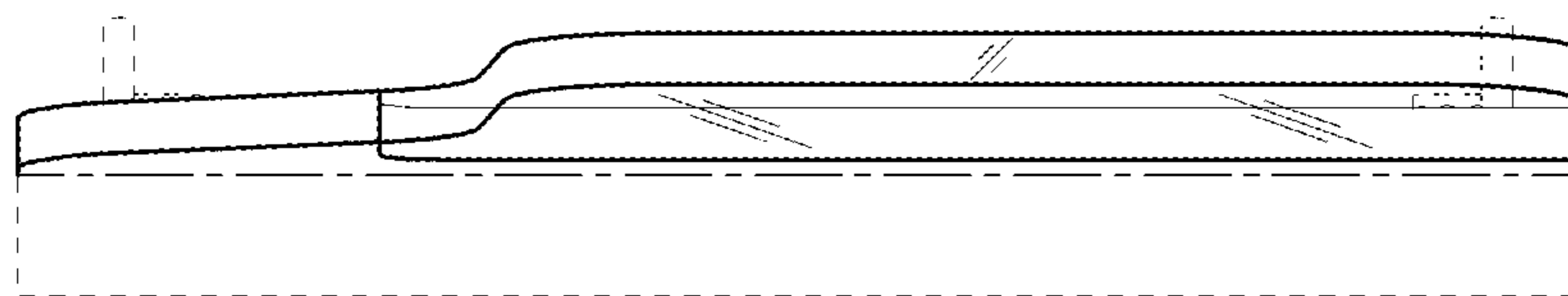


FIG.6

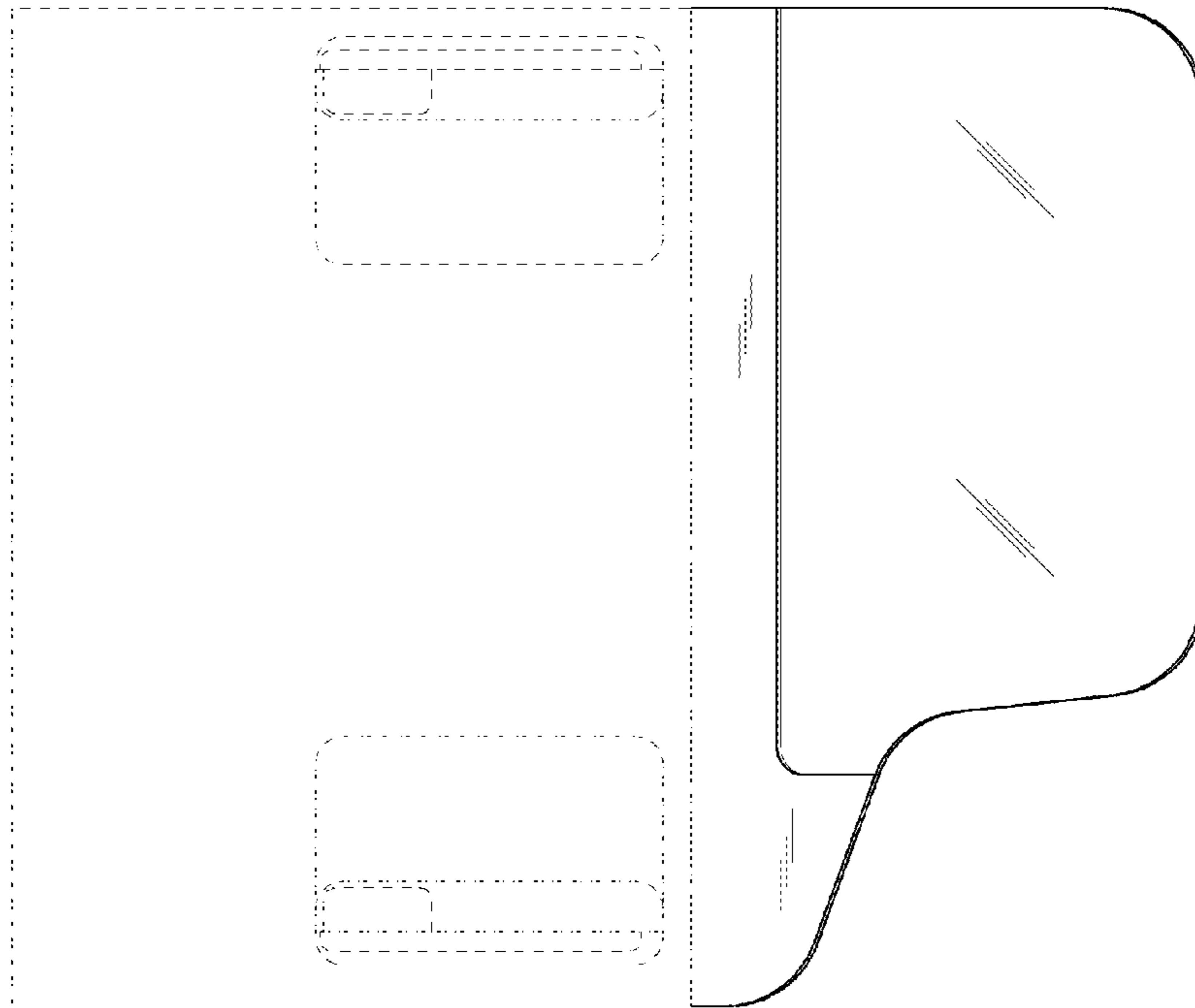


FIG.7

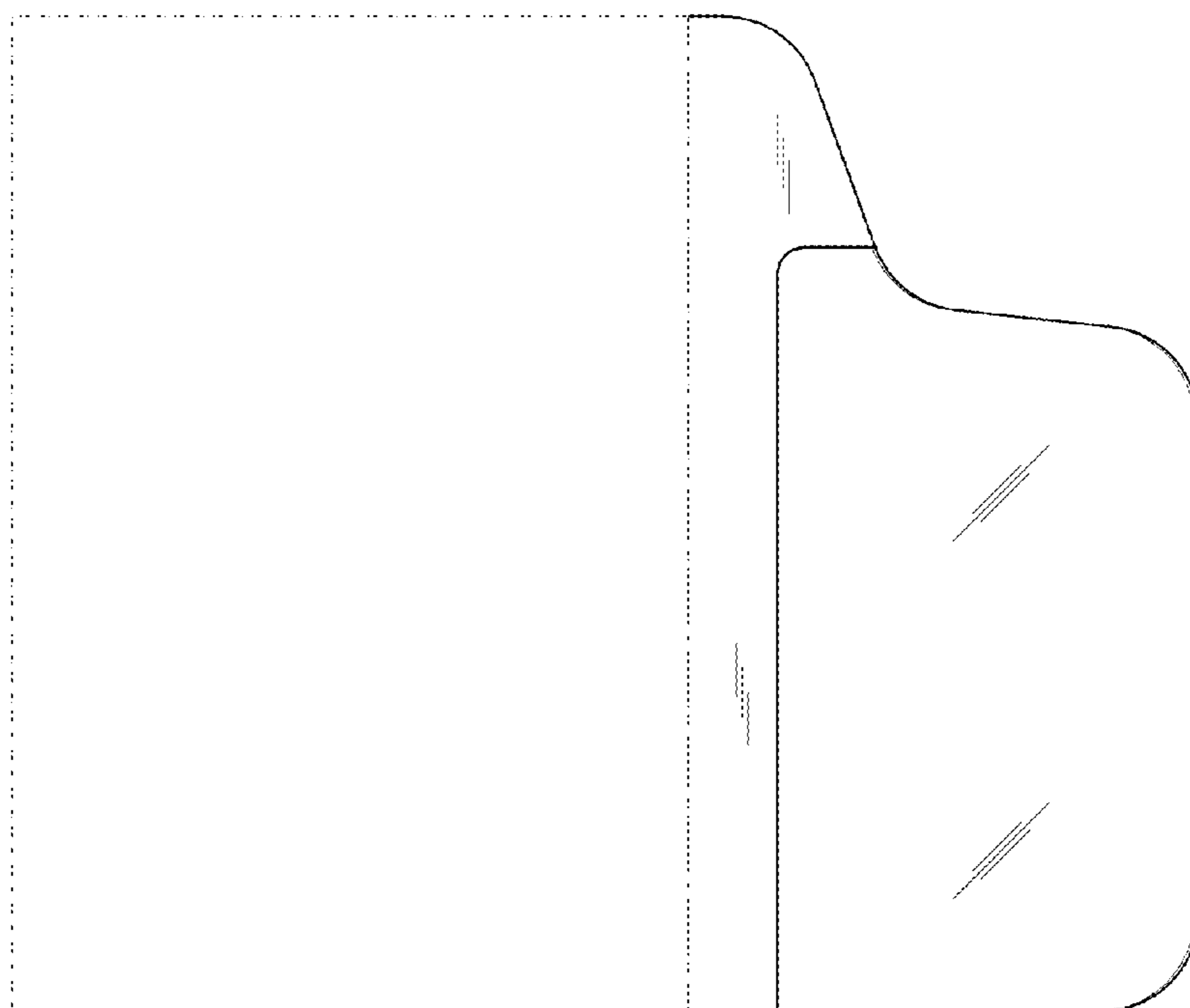




FIG.8

