



US00D778982S

(12) **United States Design Patent**  
**Beatty et al.**

(10) **Patent No.:** **US D778,982 S**

(45) **Date of Patent:** **\*\* Feb. 14, 2017**

(54) **MOBILE POINT-OF-SALE DISPLAY AND PRINTER**

(71) Applicant: **FIRST DATA CORPORATION**,  
Greenwood Village, CO (US)

(72) Inventors: **John Beatty**, Mountain View, CA (US);  
**Leonard Speiser**, Mountain View, CA (US);  
**Siva Raja Sekhar Reddy Yeruva**, Mountain View, CA (US);  
**Christopher Loew**, Palo Alto, GA (US);  
**David Frederick Lyons**, Palo Alto, CA (US)

(73) Assignee: **First Data Corporation**, Greenwood Village, CO (US)

(\*\*) Term: **14 Years**

(21) Appl. No.: **29/507,647**

(22) Filed: **Oct. 29, 2014**

(51) **LOC (10) Cl.** ..... **18-01**

(52) **U.S. Cl.**  
USPC ..... **D18/4.5; D18/50**

(58) **Field of Classification Search**  
USPC ..... D18/4.4, 4.5, 4.6, 14, 19, 36-39, 50,  
D18/54, 54.1, 55; D14/420-422,  
D14/424-425, 463-470, 336, 346, 373  
CPC ..... B41J 3/38; B41J 3/4075; B41J 11/48;  
B41J 11/58; B41J 13/12; B41J  
15/02; B41J 15/042; B41J 17/00; B41J  
29/02; B41J 29/08; B41J 11/20; B41J  
11/70; B41J 25/308; A63H  
33/3005; G06C 7/10; G06K 7/084; G06Q  
20/20

See application file for complete search history.

(56) **References Cited**

**U.S. PATENT DOCUMENTS**

D220,188 S \* 3/1971 Kalvtis ..... D18/54  
D232,055 S \* 7/1974 Frick ..... D18/4.5  
D360,196 S \* 7/1995 Cox ..... D18/4.5

D442,212 S \* 5/2001 Ota ..... D18/19  
D458,255 S \* 6/2002 Hsu ..... D18/4.5  
D466,551 S \* 12/2002 Nagai ..... D18/50  
D491,219 S \* 6/2004 Shimamura ..... D18/50  
D525,282 S \* 7/2006 Barnes ..... D18/4.5  
D526,002 S \* 8/2006 Nakajima ..... D18/4.5  
D558,262 S \* 12/2007 Hong ..... D18/50  
D591,303 S \* 4/2009 Heggland ..... D14/434  
D637,595 S \* 5/2011 Mizusugi ..... D14/303  
D647,898 S \* 11/2011 Haller ..... D14/336  
D674,838 S \* 1/2013 Kano ..... D18/50  
D702,237 S \* 4/2014 Oberpriller ..... D14/420  
D708,618 S \* 7/2014 Romanoff ..... D14/422

(Continued)

*Primary Examiner* — Cathy Ann MacCormac

(74) *Attorney, Agent, or Firm* — Sutherland Asbill & Brennan LLP

(57) **CLAIM**

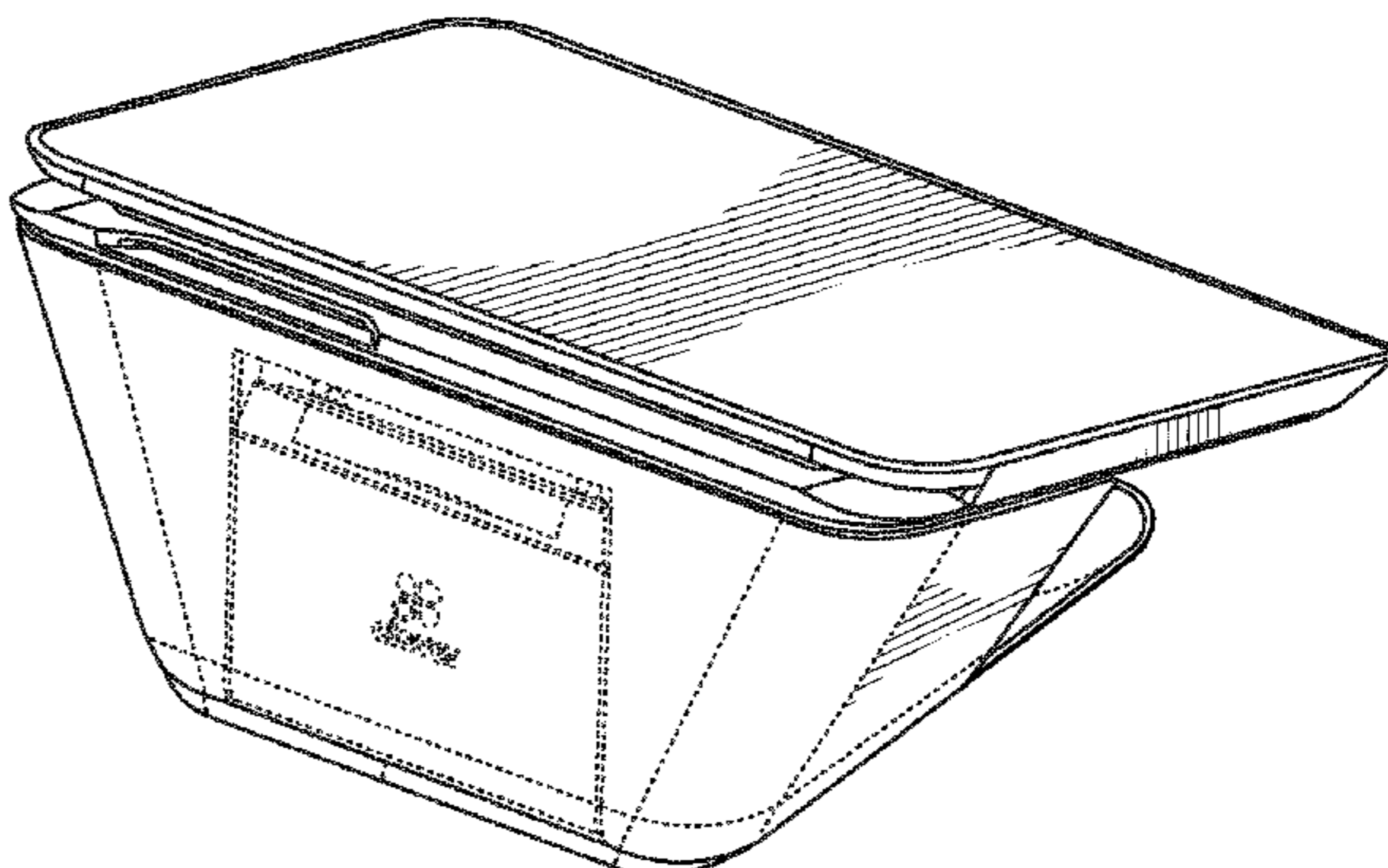
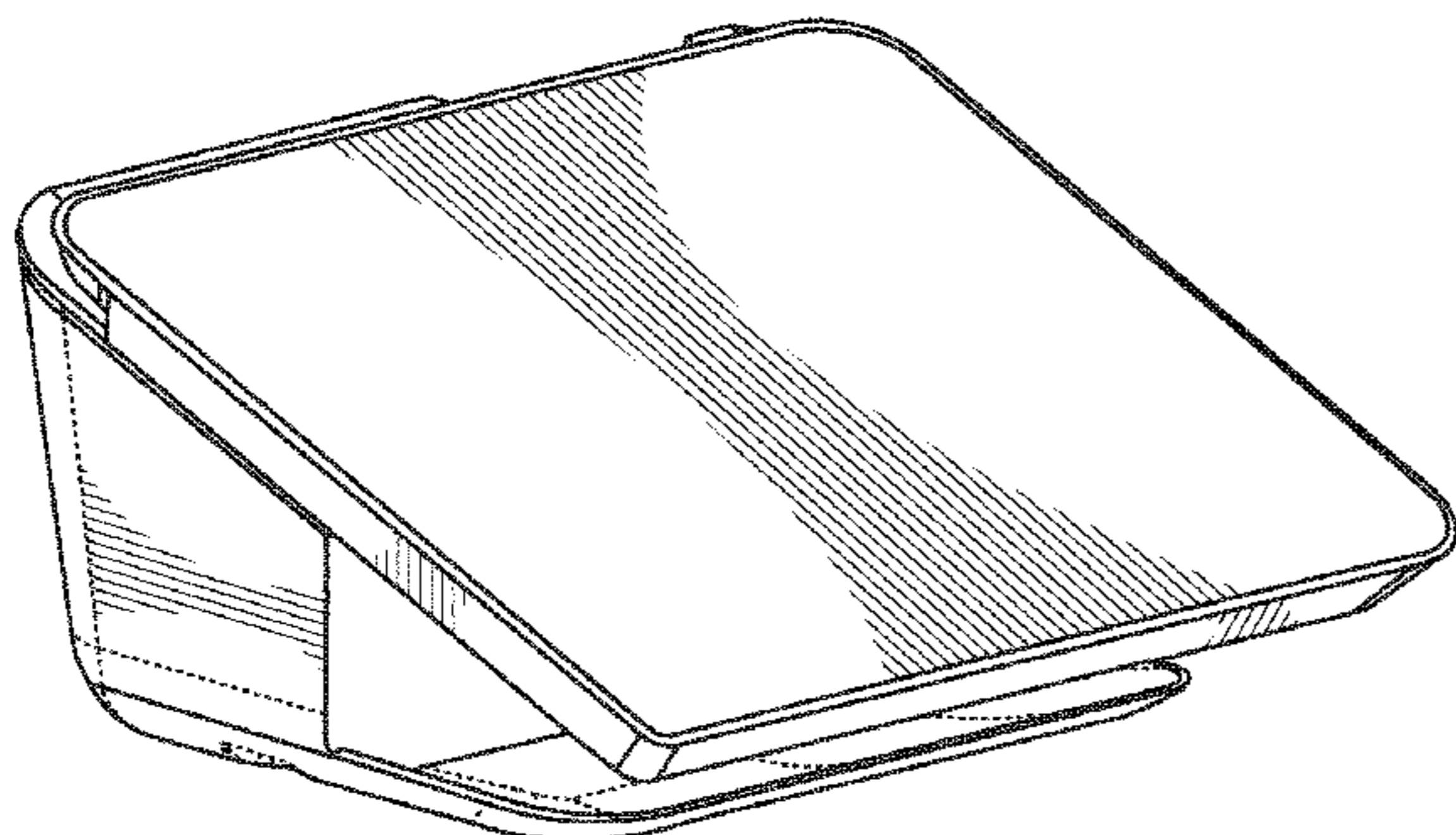
The ornamental design for a mobile point-of-sale display and printer, as shown and described.

**DESCRIPTION**

FIG. 1 is a front perspective view of a combined mobile point-of-sale display and printer showing our new design; FIG. 2 is a rear perspective view thereof; FIG. 3 is a front elevation view thereof; FIG. 4 is a rear elevation view thereof; FIG. 5 is a top plan view thereof; FIG. 6 is a reduced left side elevation view thereof; FIG. 7 is a reduced right side elevation view thereof; FIG. 8 is a reduced bottom perspective view thereof; and, FIG. 9 is a bottom plan view of FIG. 5.

The broken lines depict environmental subject matter and form no part of the claimed design.

**1 Claim, 5 Drawing Sheets**



(56)

**References Cited**

U.S. PATENT DOCUMENTS

D732,109 S *	6/2015	Chung .....	D18/50
D732,606 S *	6/2015	Chung .....	D18/50
D732,607 S *	6/2015	Backs .....	D18/50
D746,902 S *	1/2016	Lyons .....	D18/4.5

\* cited by examiner

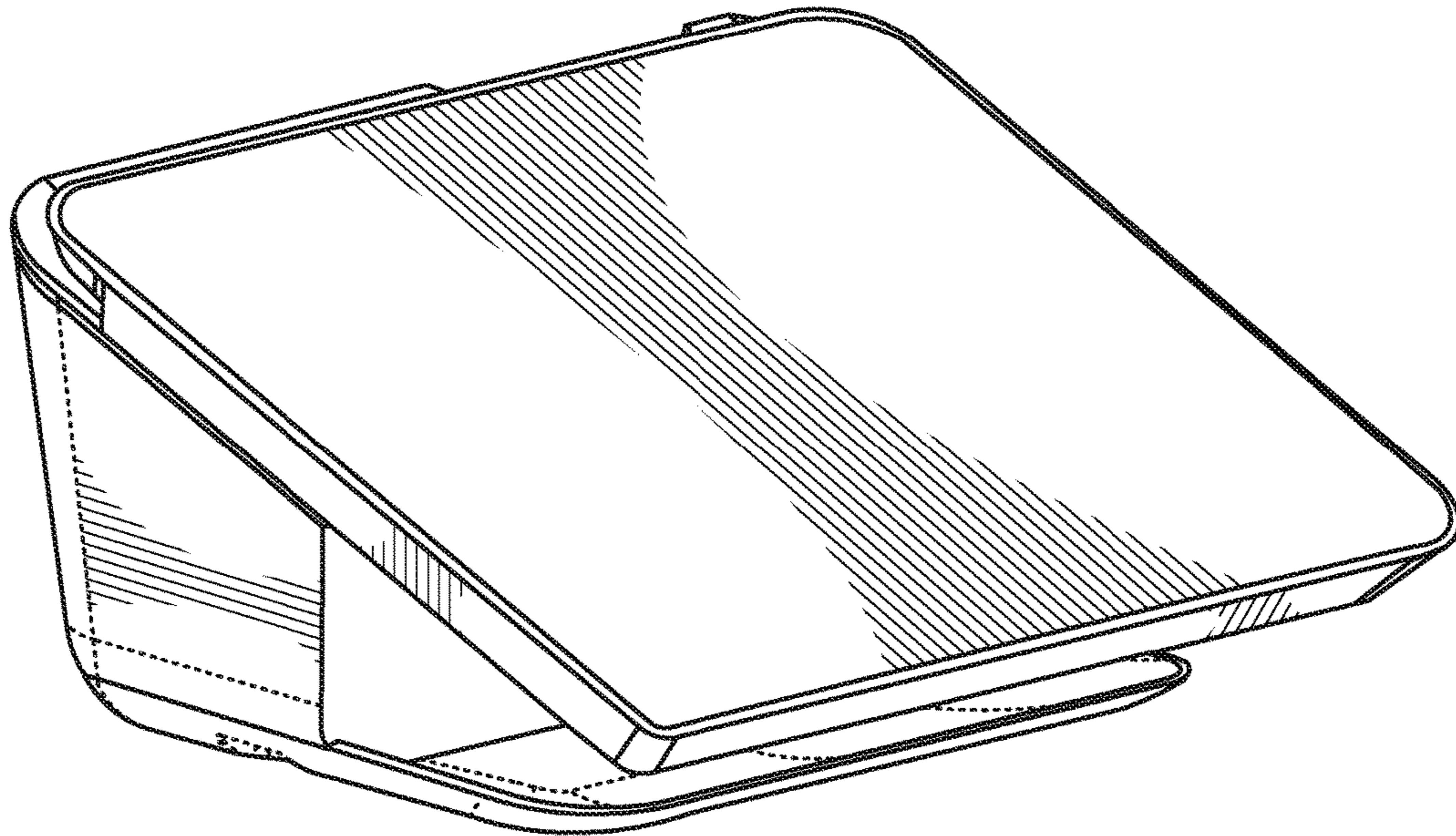


FIG. 1

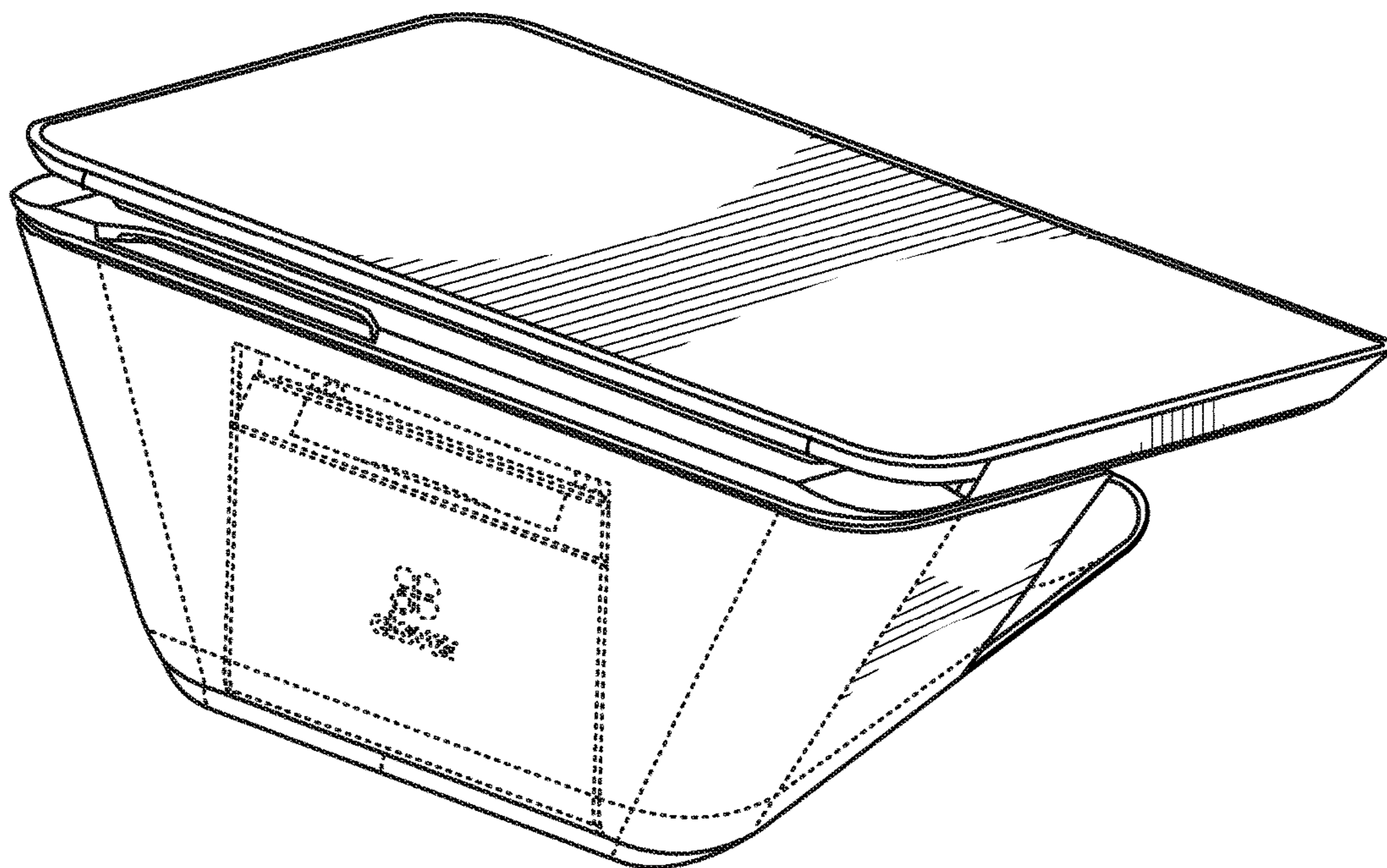


FIG. 2

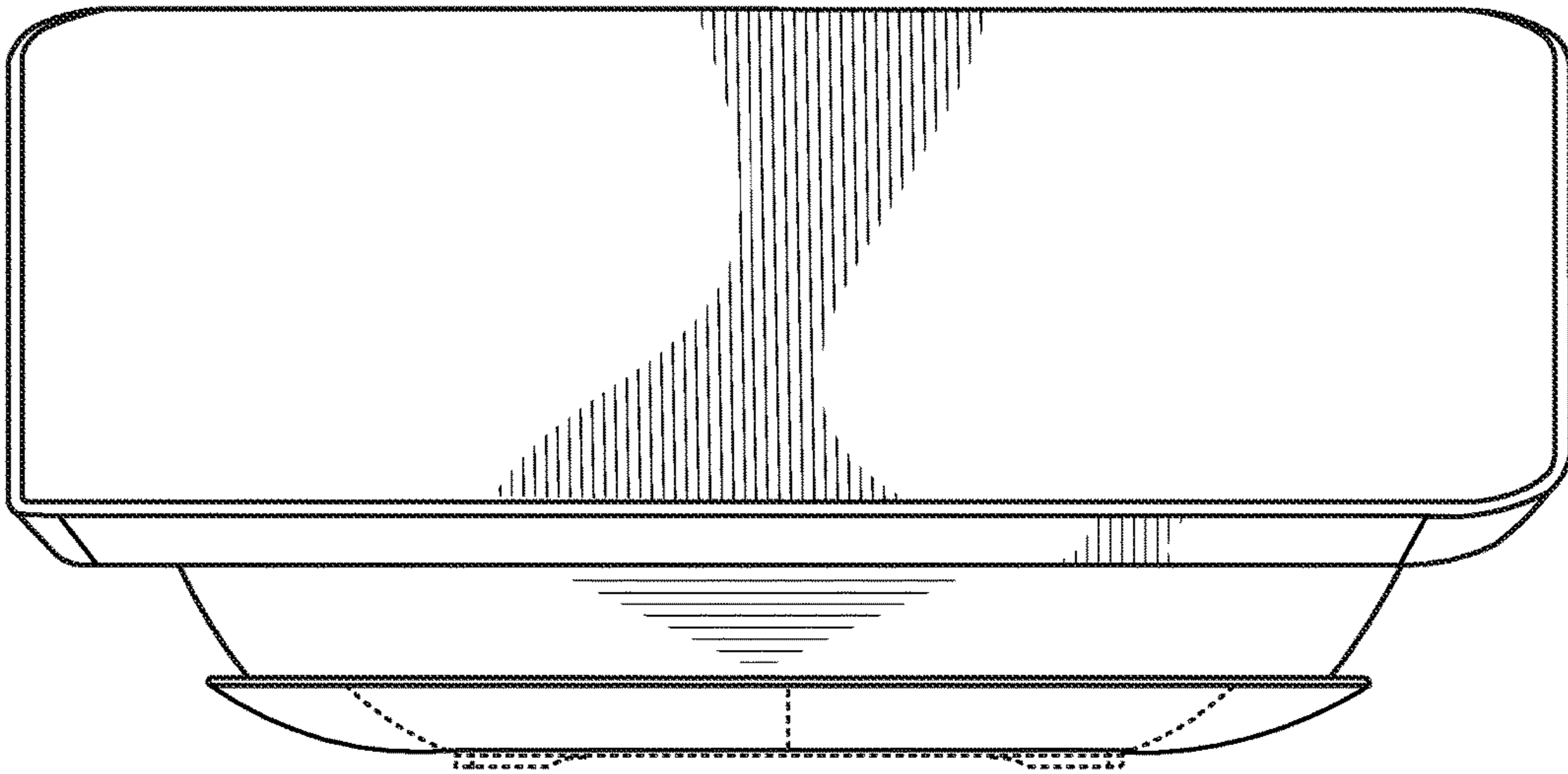


FIG. 3

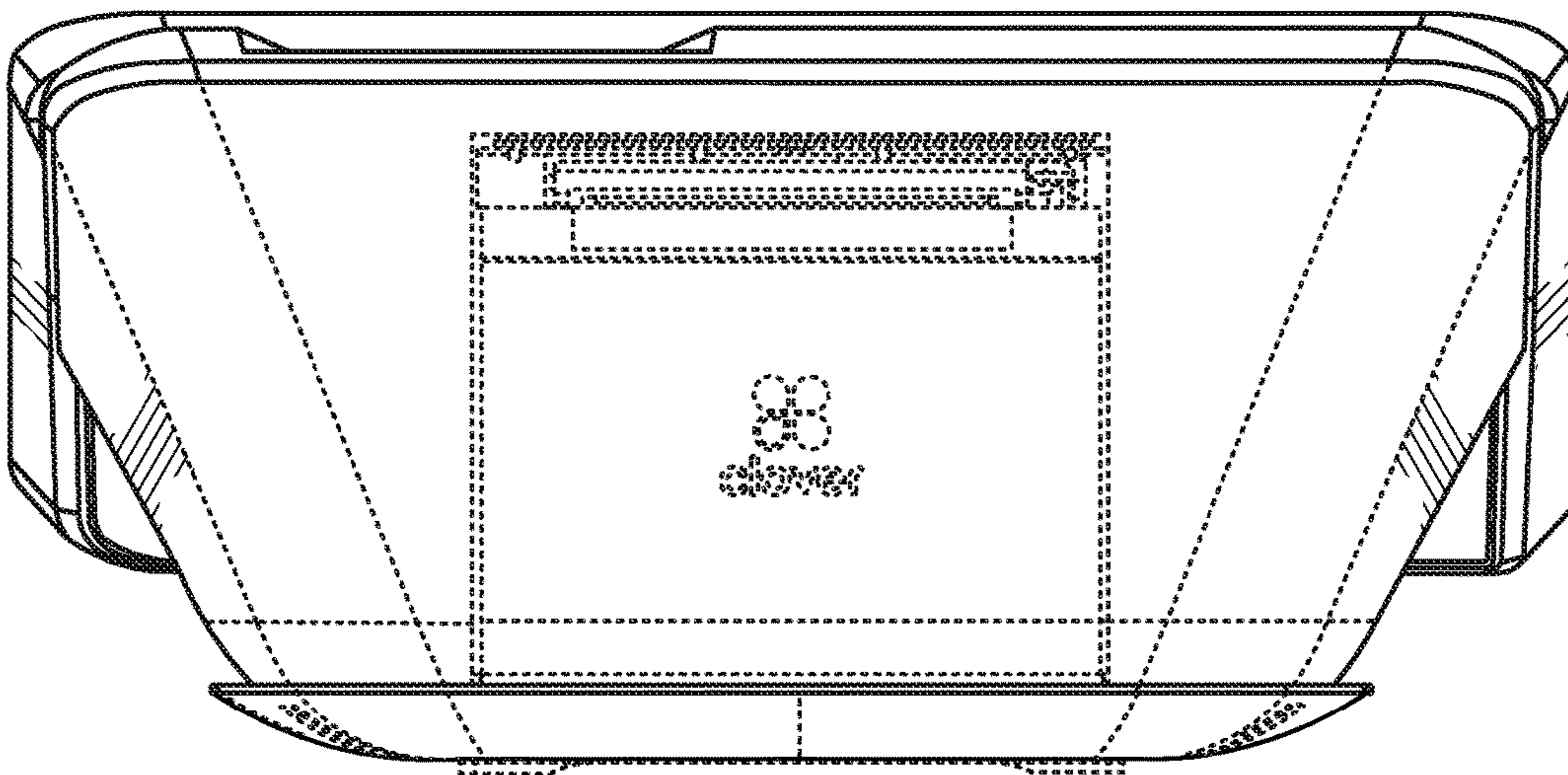


FIG. 4

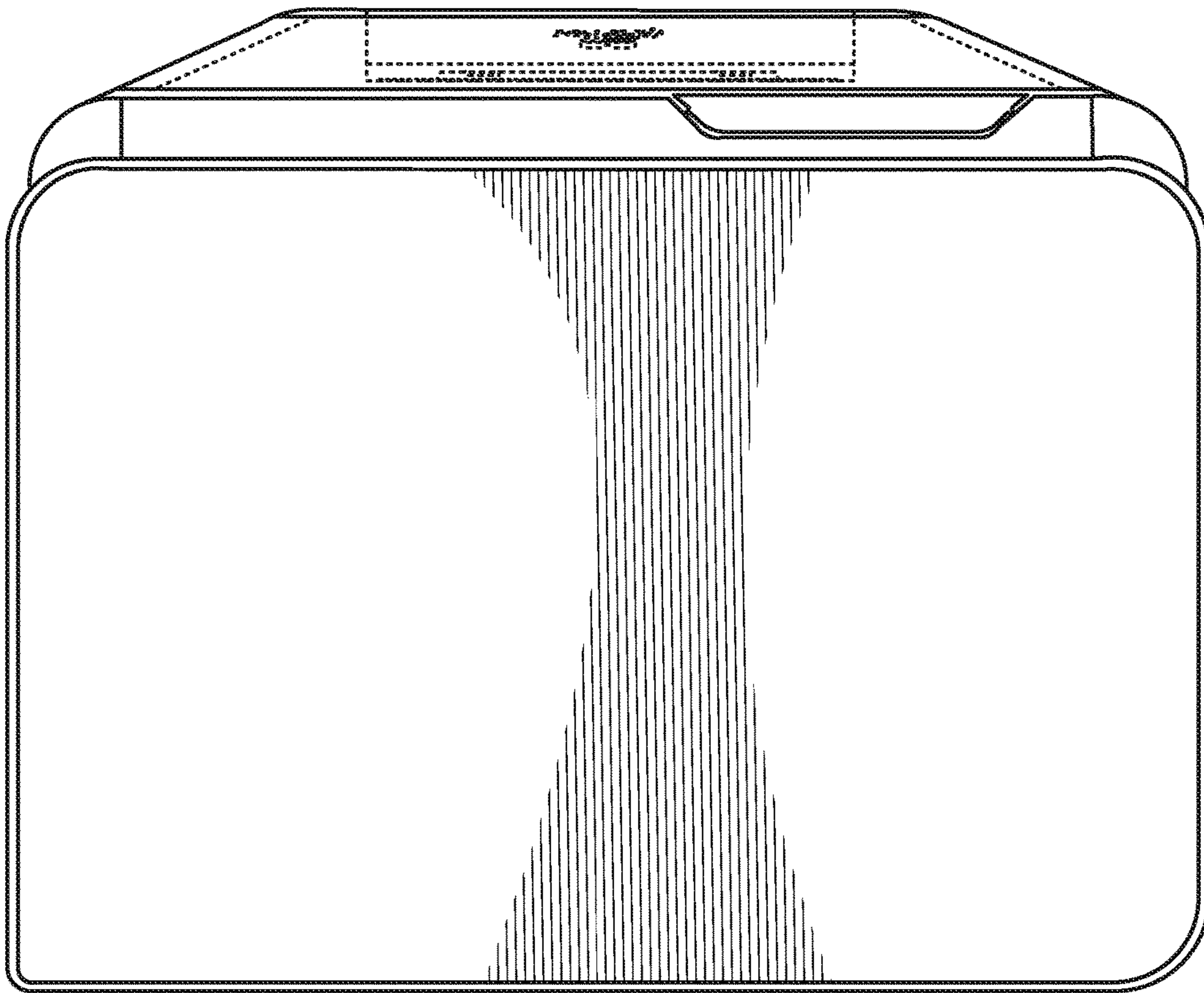


FIG. 5

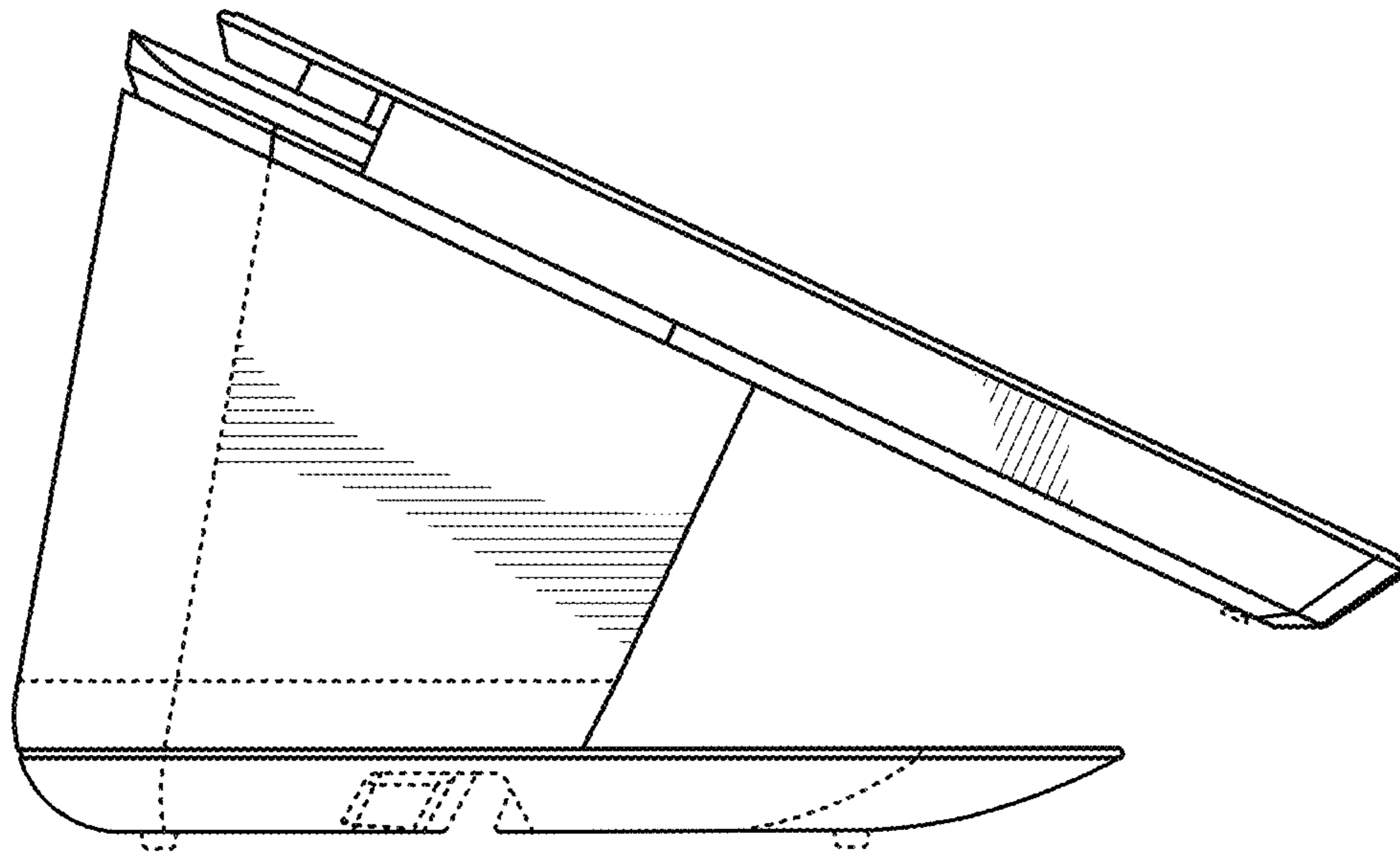


FIG. 6

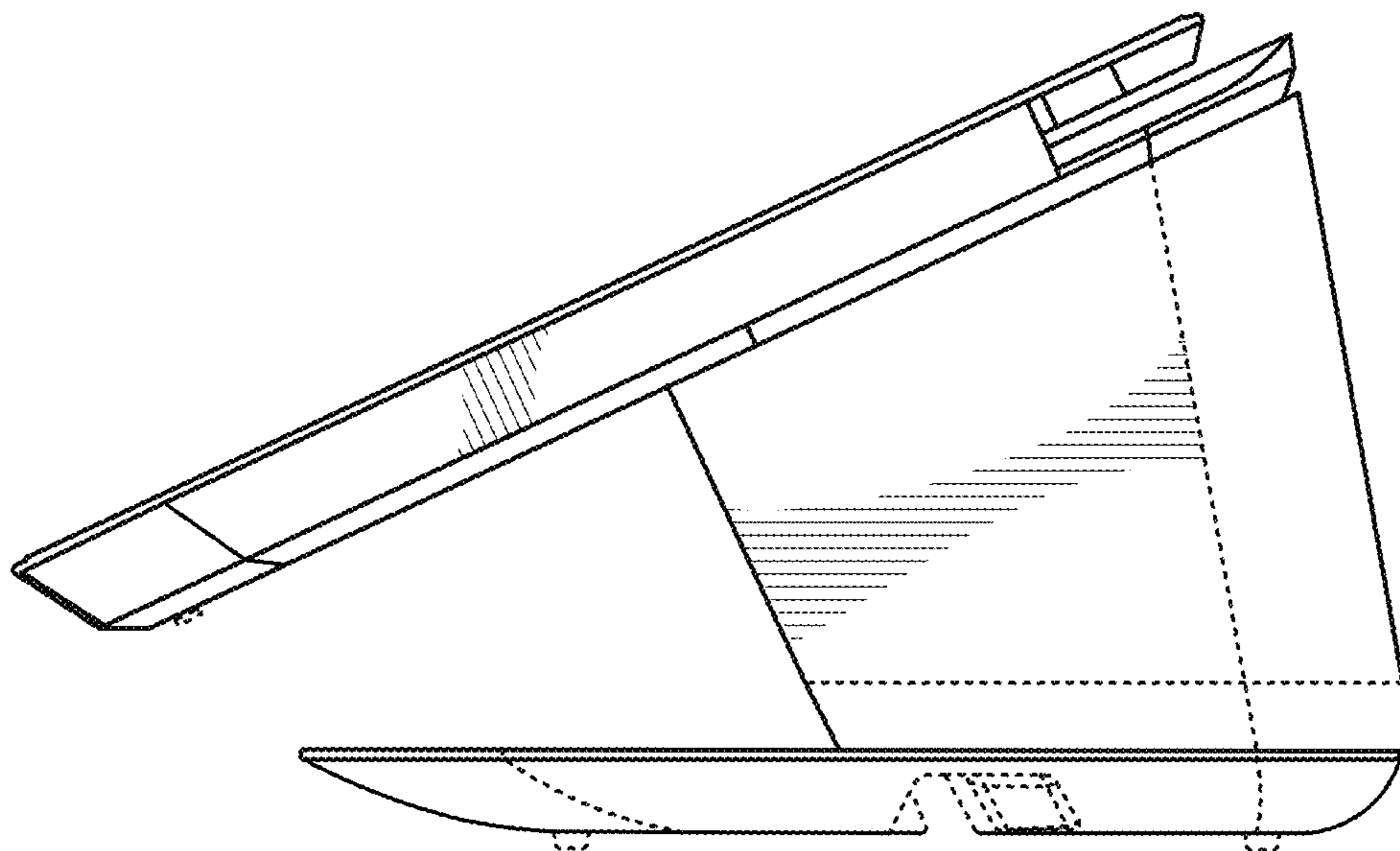


FIG. 7

