



US00D778973S

(12) **United States Design Patent**  
**Lee et al.**

(10) **Patent No.:** **US D778,973 S**  
(45) **Date of Patent:** **\*\* Feb. 14, 2017**

(54) **COMPACT CAMERA**

(71) Applicant: **LG ELECTRONICS INC.**, Seoul (KR)

(72) Inventors: **Hophil Lee**, Seoul (KR); **Euiseok Lee**, Seoul (KR); **Jaeboem Im**, Seoul (KR); **Seunghee Ha**, Seoul (KR)

(73) Assignee: **LG ELECTRONICS INC.**, Seoul (KR)

(\*\*) Term: **15 Years**

(21) Appl. No.: **29/539,526**

(22) Filed: **Sep. 15, 2015**

(30) **Foreign Application Priority Data**

Mar. 16, 2015 (KR) ..... 30-2015-0013192

(51) **LOC (10) Cl.** ..... **16-01**

(52) **U.S. Cl.**  
USPC ..... **D16/202**

(58) **Field of Classification Search**  
USPC ..... D16/200, 202–206, 208–209, 218, 219;  
348/373–376; 396/535, 539–541  
CPC ..... G03B 15/03; G03B 17/02; G03B 17/04;  
G03B 17/56; G03B 19/04; H04N 5/2251;  
H04N 5/2252; H04N 5/2253; H04N  
5/2254; H04N 2101/00  
See application file for complete search history.

(56) **References Cited**

U.S. PATENT DOCUMENTS

6,637,952 B2 \* 10/2003 Arbuckle ..... G03B 17/02  
348/143  
D509,842 S \* 9/2005 Ou ..... D16/202

D532,809 S \* 11/2006 Shih ..... D16/202  
D592,231 S \* 5/2009 Schnell ..... D16/202  
D673,988 S \* 1/2013 Riegl ..... D16/202  
D694,797 S \* 12/2013 Parker ..... D16/202  
D696,329 S \* 12/2013 Horiki ..... D16/203  
D701,893 S \* 4/2014 Bart ..... D16/203  
D721,753 S \* 1/2015 Park ..... D16/202  
D728,655 S \* 5/2015 Daniel ..... D16/203  
D740,873 S \* 10/2015 Scalisi ..... D16/203  
D743,468 S \* 11/2015 Ribeiro ..... D16/214  
2005/0259146 A1 \* 11/2005 Berdugo ..... G02B 13/06  
348/36

\* cited by examiner

*Primary Examiner* — Susan E Krakower

*Assistant Examiner* — Ramzi Almatrahi

(74) *Attorney, Agent, or Firm* — Birch, Stewart, Kolasch & Birch, LLP

(57) **CLAIM**

The ornamental design for a compact camera, as shown and described.

**DESCRIPTION**

FIG. 1 is a top, front and left side perspective view of a compact camera showing our new design;  
FIG. 2 is a front view thereof;  
FIG. 3 is a rear view thereof;  
FIG. 4 is a left side view thereof;  
FIG. 5 is a right side view thereof;  
FIG. 6 is a top view thereof;  
FIG. 7 is a bottom view thereof; and,  
FIG. 8 is a top, rear and right side perspective view thereof, shown in an alternate position and in condition of use.

**1 Claim, 4 Drawing Sheets**

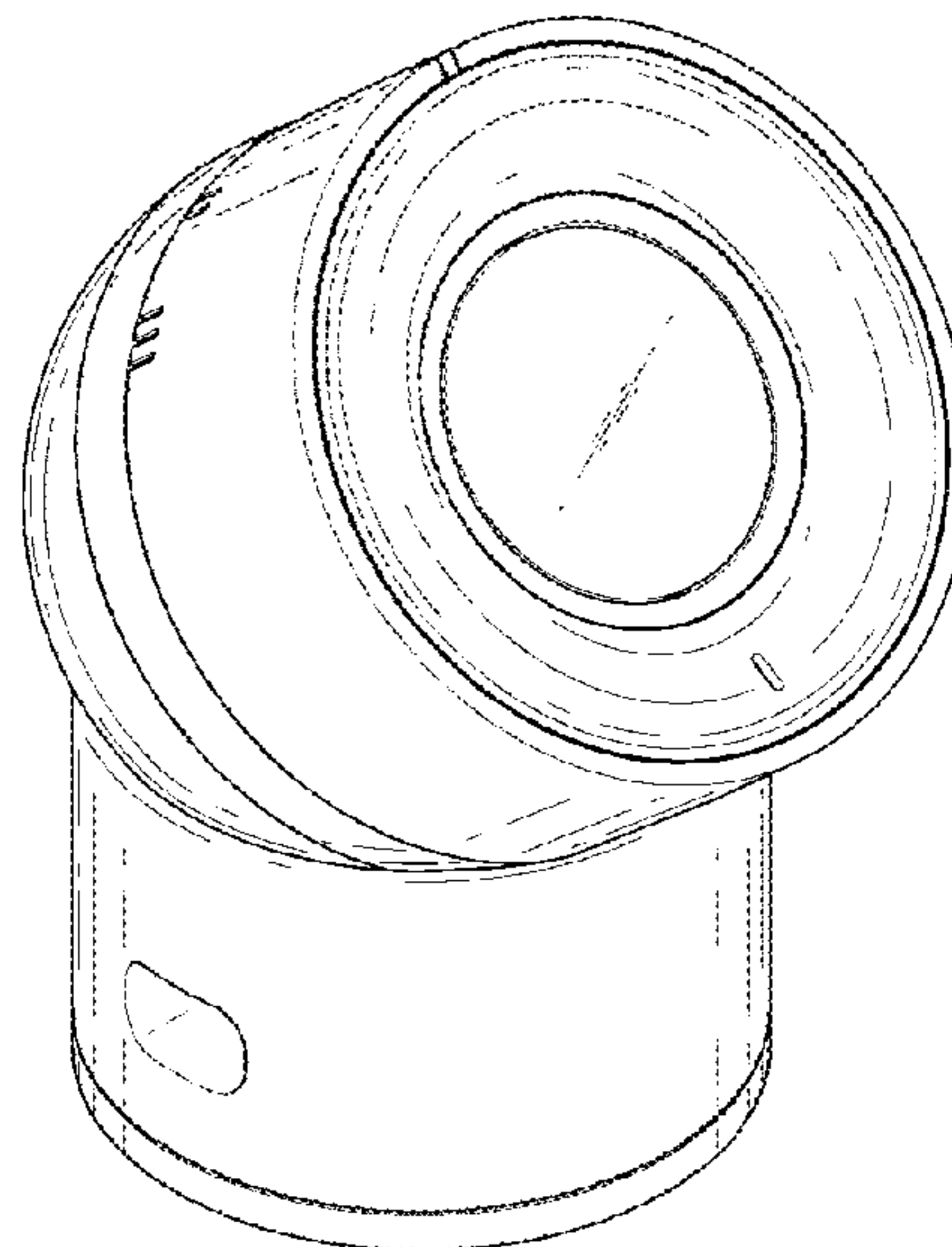
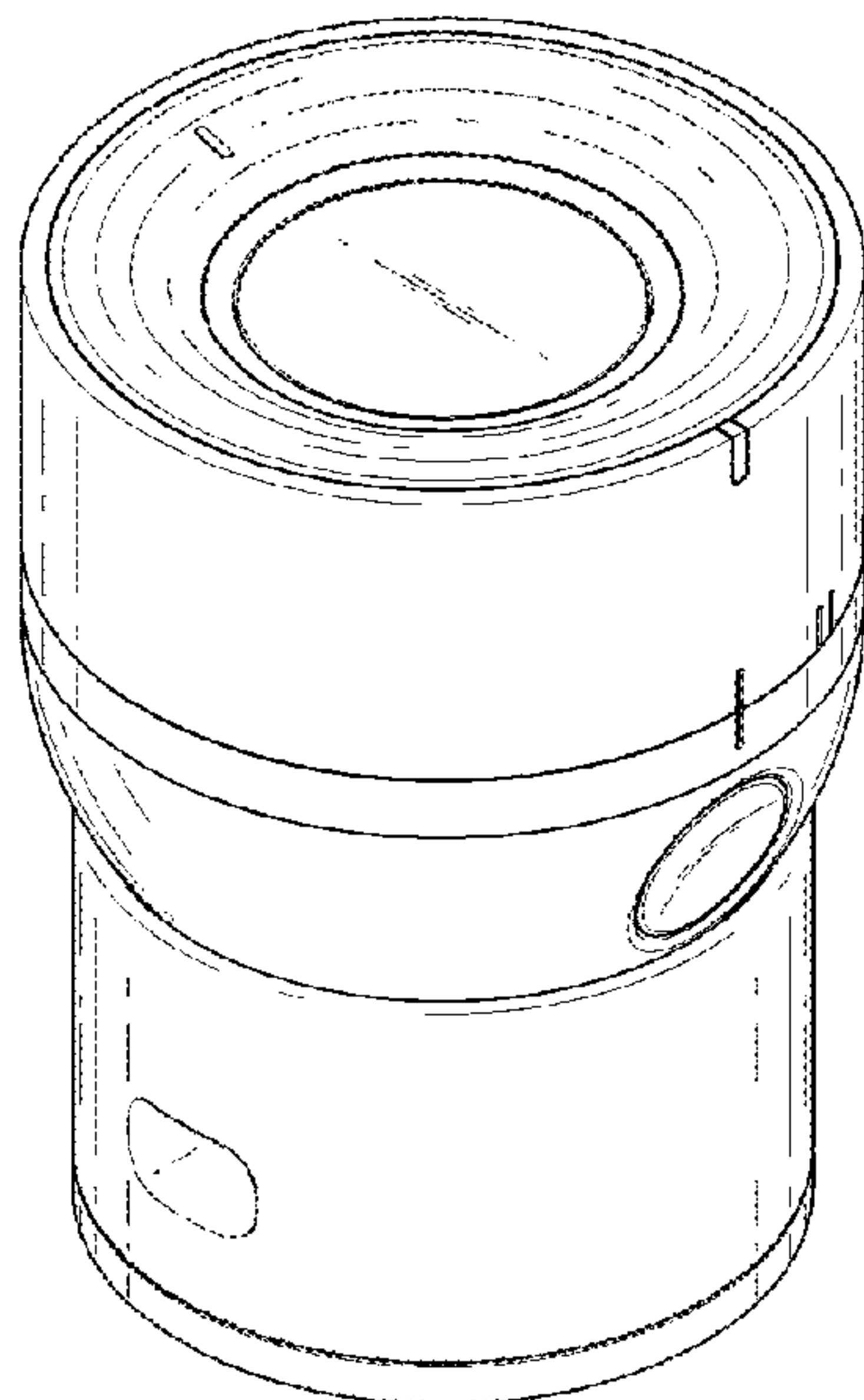


FIG. 1

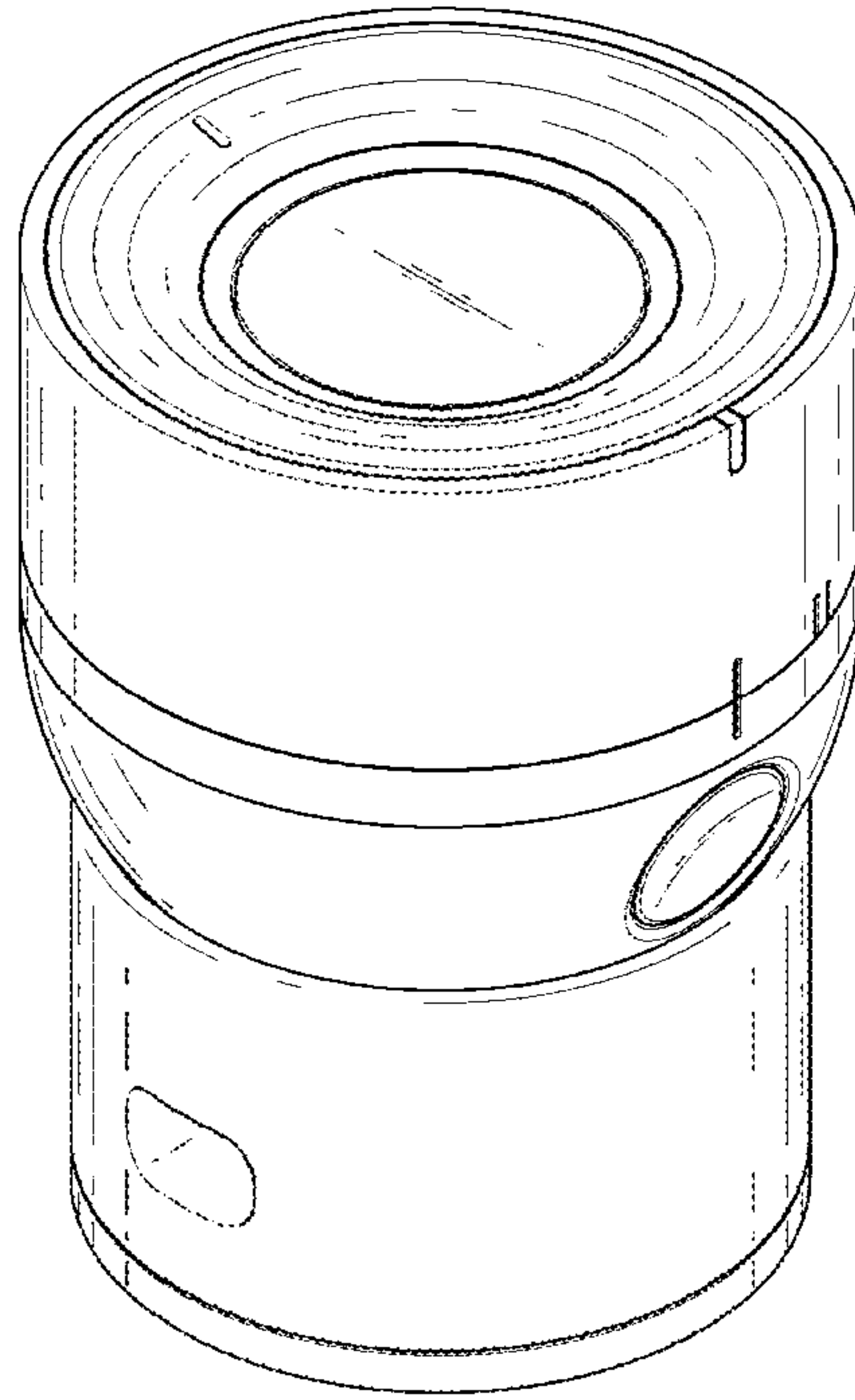


FIG. 2

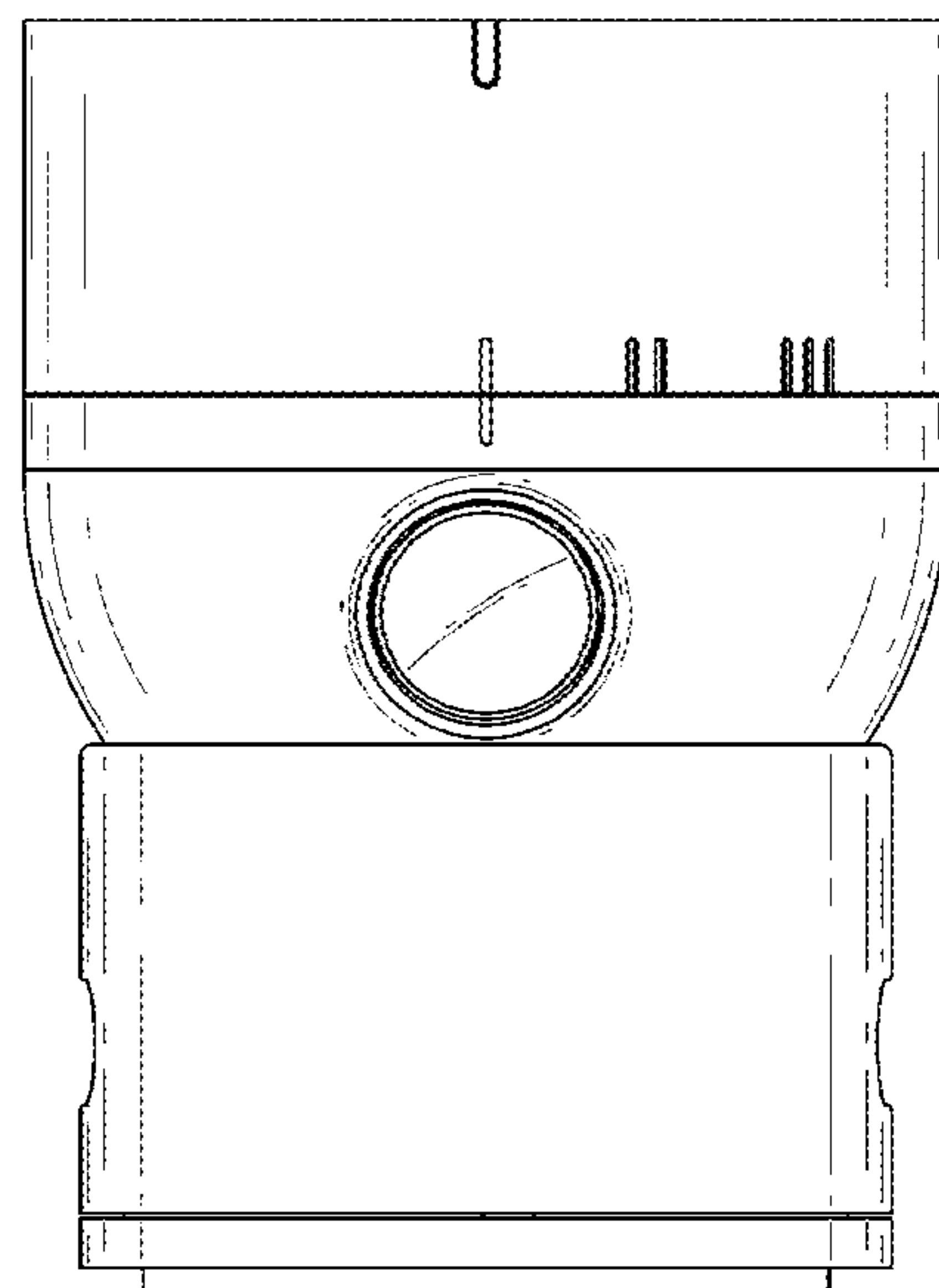


FIG. 3

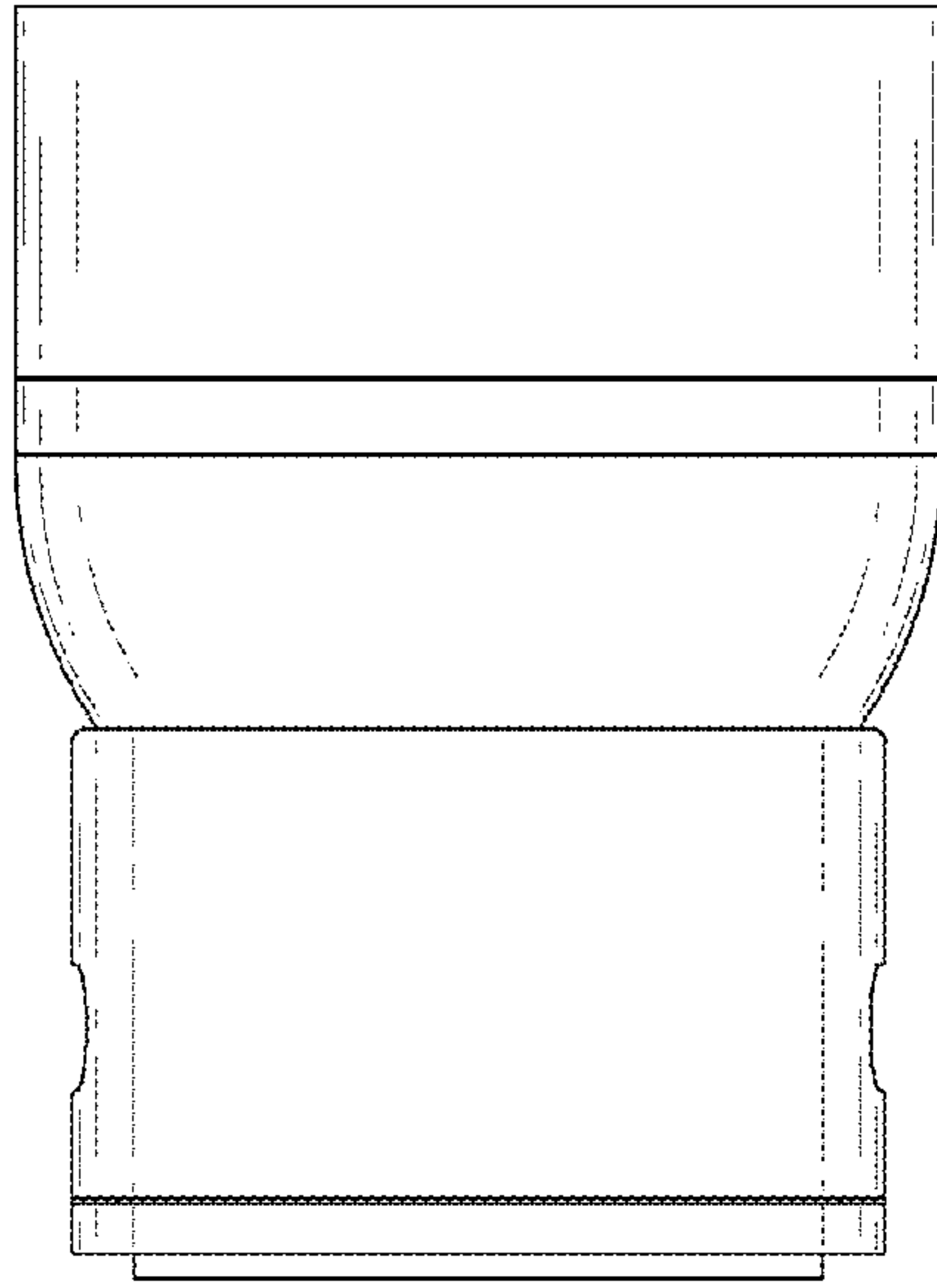


FIG. 4

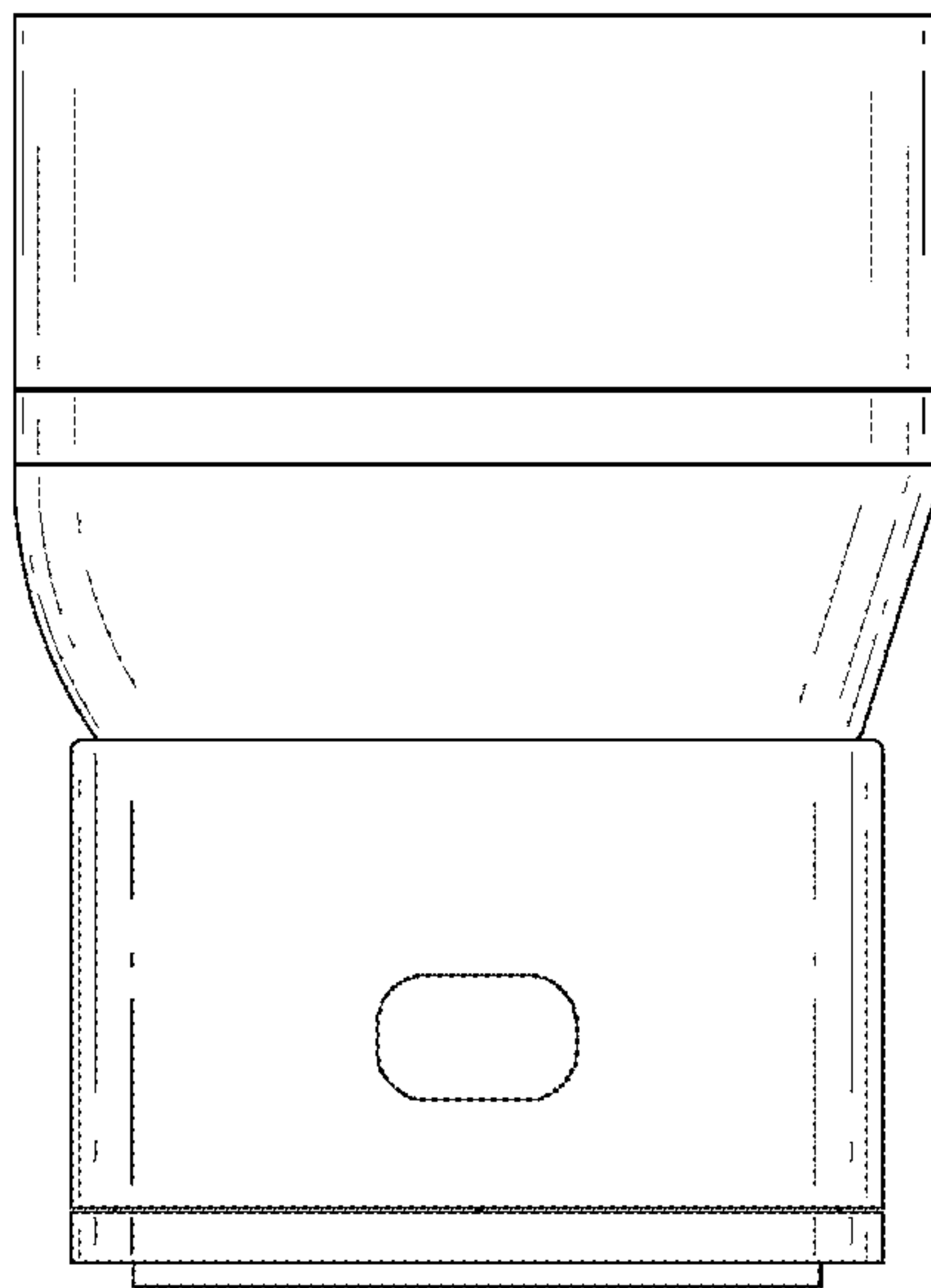


FIG. 5

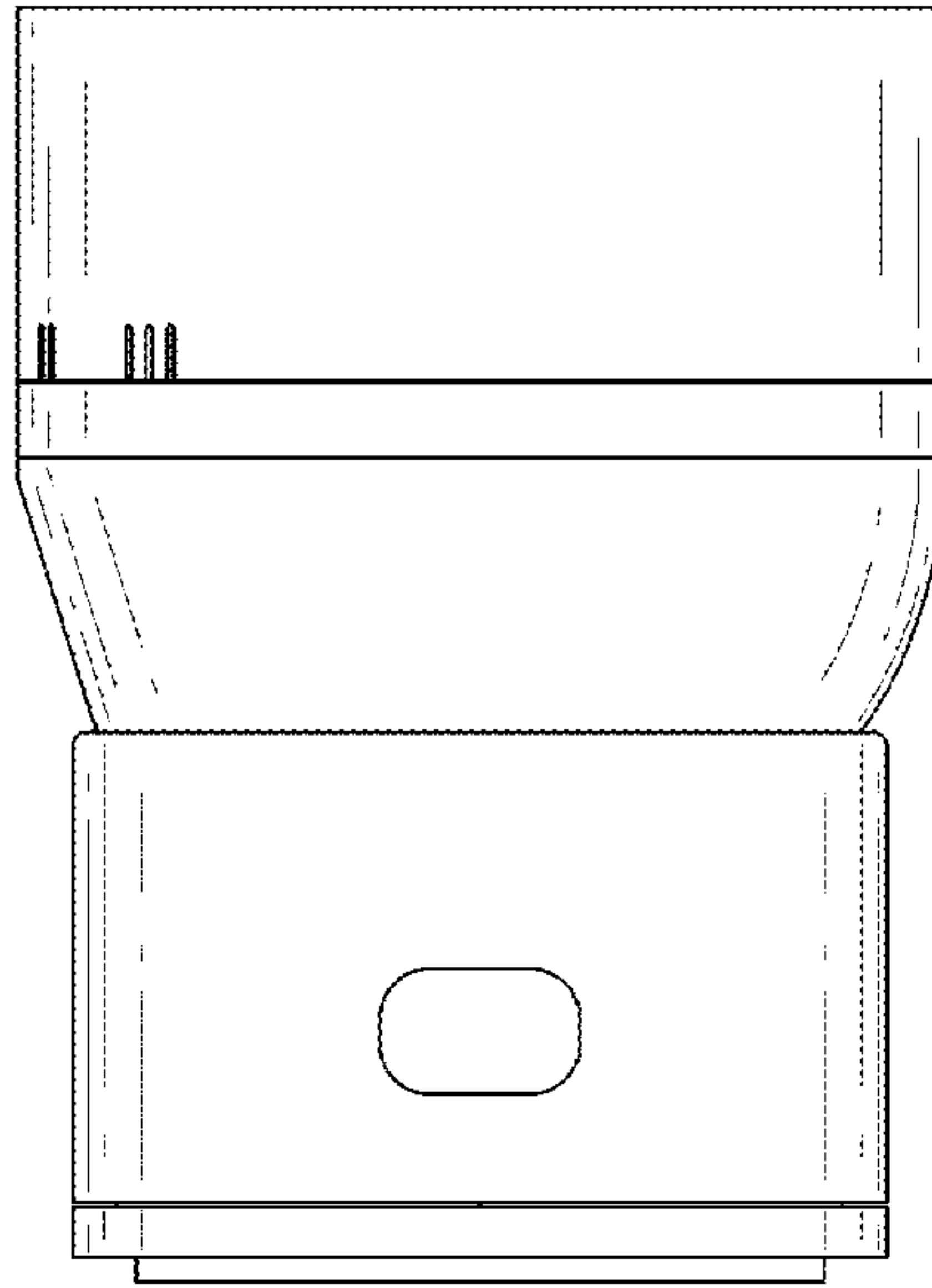


FIG. 6

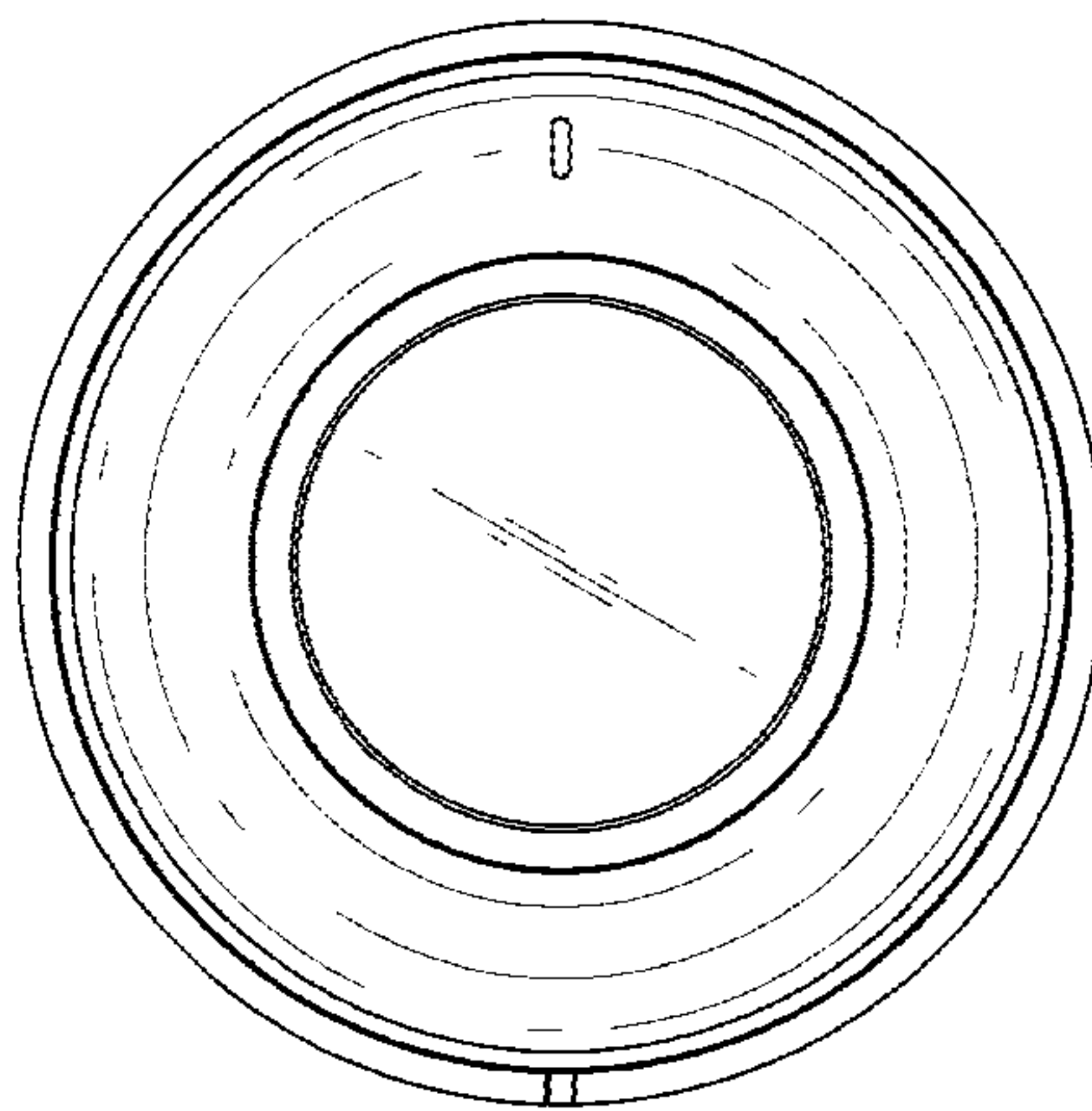


FIG. 7

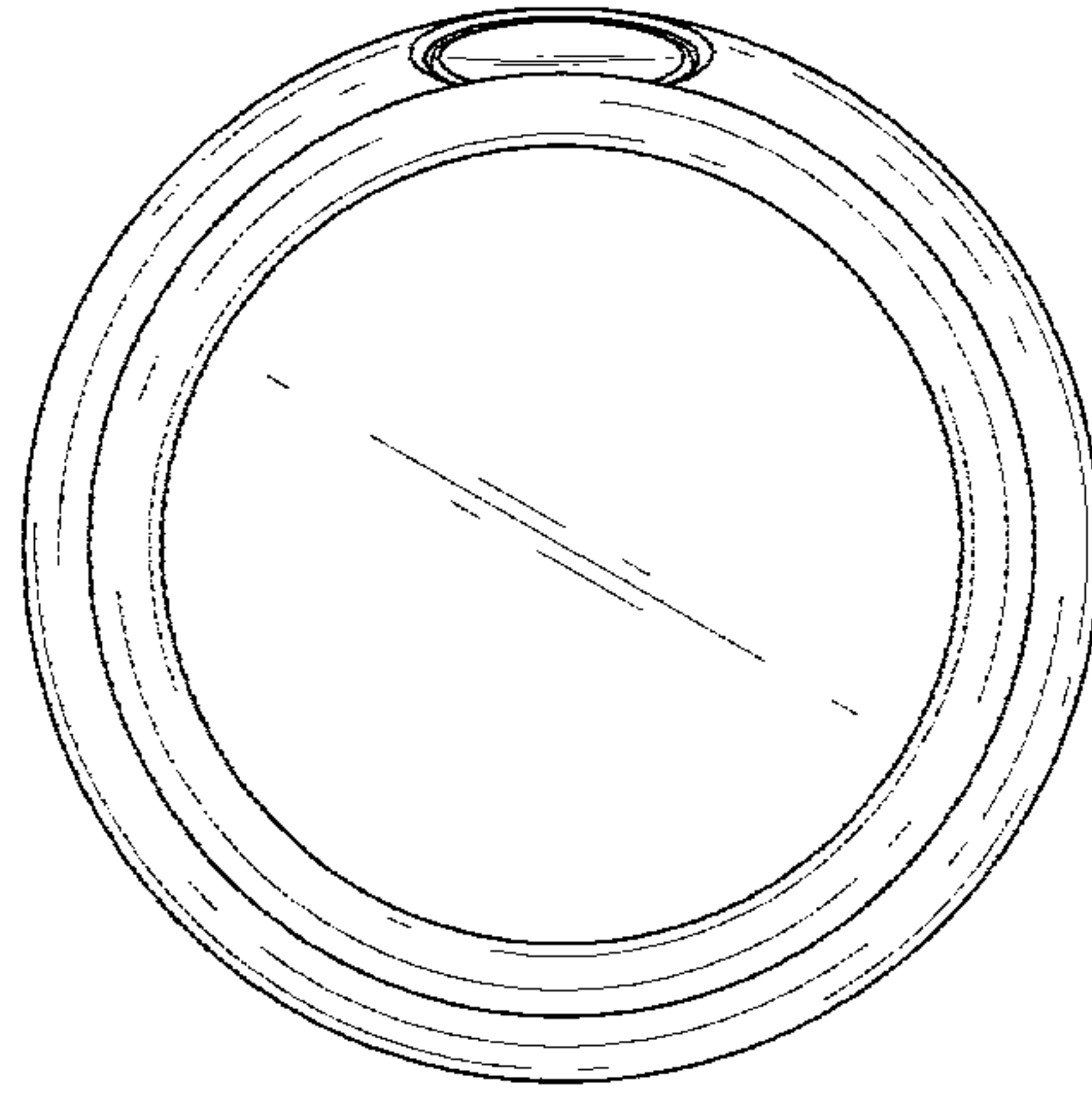


FIG. 8

