



US00D778971S

(12) **United States Design Patent**
Long et al.

(10) **Patent No.:** **US D778,971 S**
(45) **Date of Patent:** **** Feb. 14, 2017**

(54) **ROBOT ARM**

(71) Applicant: **HON HAI PRECISION INDUSTRY CO., LTD.**, New Taipei (TW)

(72) Inventors: **Bo Long**, Shenzhen (CN); **Xiao-Ming Xu**, Shenzhen (CN)

(73) Assignee: **HON HAI PRECISION INDUSTRY CO., LTD.**, New Taipei (TW)

(**) Term: **14 Years**

(21) Appl. No.: **29/506,539**

(22) Filed: **Oct. 16, 2014**

(30) **Foreign Application Priority Data**

Sep. 2, 2014 (CN) 2014 3 0322084

(51) **LOC (10) Cl.** **15-99**

(52) **U.S. Cl.**
USPC **D15/199**

(58) **Field of Classification Search**
USPC D15/199, 25; 74/490.01-490.06; D10/63;
D24/158, 184, 128; D34/33
CPC B25J 17/00; B25J 9/06; B25J 9/102;
B25J 18/00; B25J 19/0029; B25J 19/0009;
A61B 19/2203; A61B 19/5212; A61B
1/008; A61B 2019/2234; A61B
2019/2242; A61B 2019/2223; A61B
2019/223; A61B 2019/2238
See application file for complete search history.

(56) **References Cited**

U.S. PATENT DOCUMENTS

4,378,959 A * 4/1983 Susnjara B25J 19/0029
414/732
D449,057 S * 10/2001 Selic D15/199

D478,921 S * 8/2003 Kullborg D15/199
7,810,765 B2 * 10/2010 Burlot B25J 19/0025
74/490.01
D629,030 S * 12/2010 Long D15/199
D636,803 S * 4/2011 Nakagiri D15/199
D752,651 S * 3/2016 Hagura D15/24
2008/0271561 A1 * 11/2008 Ohara B23K 9/133
74/490.01

* cited by examiner

Primary Examiner — Susan Bennett Hattan

Assistant Examiner — Brett Miller

(74) *Attorney, Agent, or Firm* — Zhigang Ma

(57) **CLAIM**

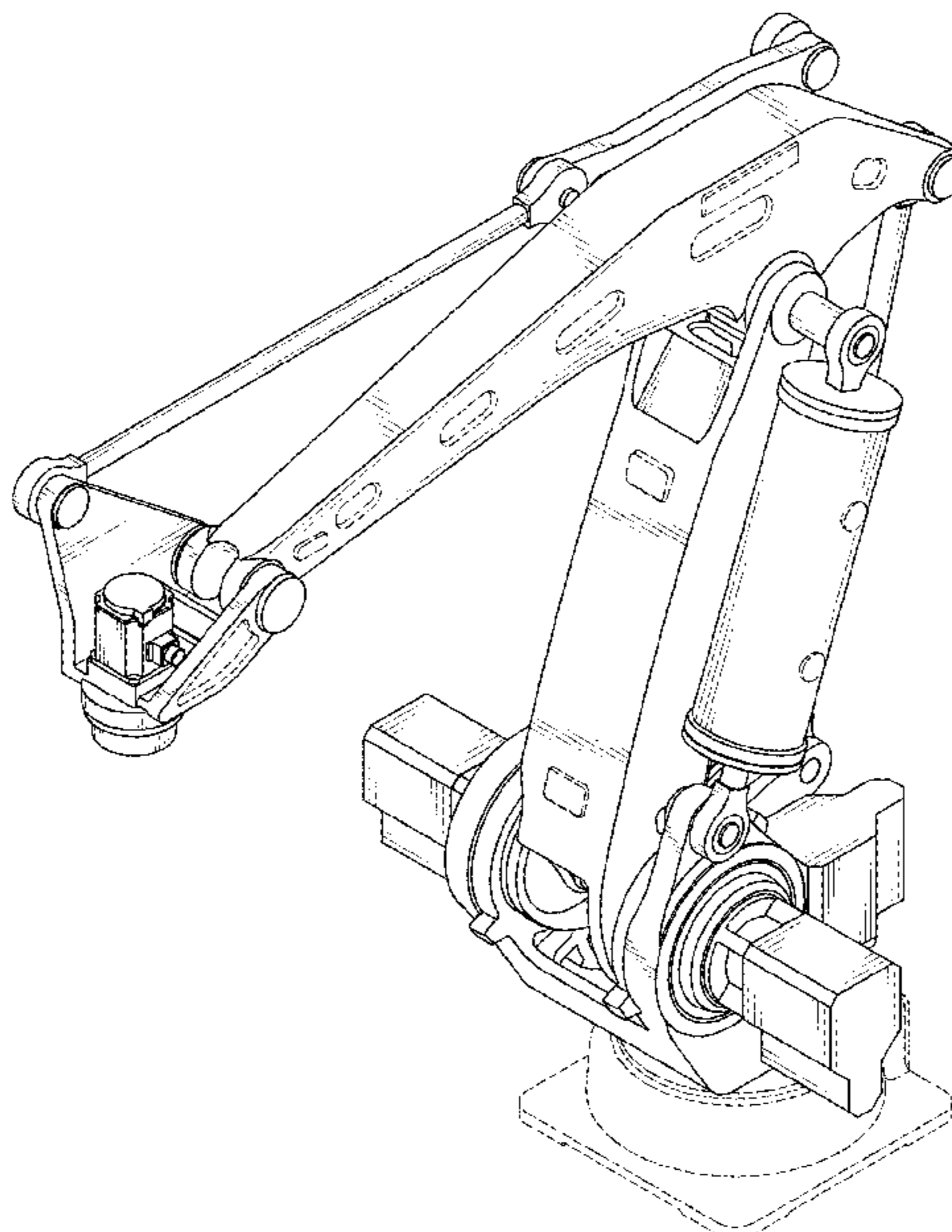
The ornamental design for a robot arm, as shown and described.

DESCRIPTION

FIG. 1 is a perspective view of a robot arm; FIG. 2 is a front elevational view thereof; FIG. 3 is a rear elevational view thereof; FIG. 4 is a right-side elevational view thereof; FIG. 5 is a left-side elevational view thereof; FIG. 6 is a top plan view thereof; and, FIG. 7 is a bottom plan view thereof.

The broken lines that are immediately adjacent to the shaded areas and define unshaded regions, represent the bounds of the claimed design. The broken lines that are shown within the broken line boundaries and the broken lines outside of the claim are directed to environment. The broken lines form no part of the claimed design.

1 Claim, 7 Drawing Sheets



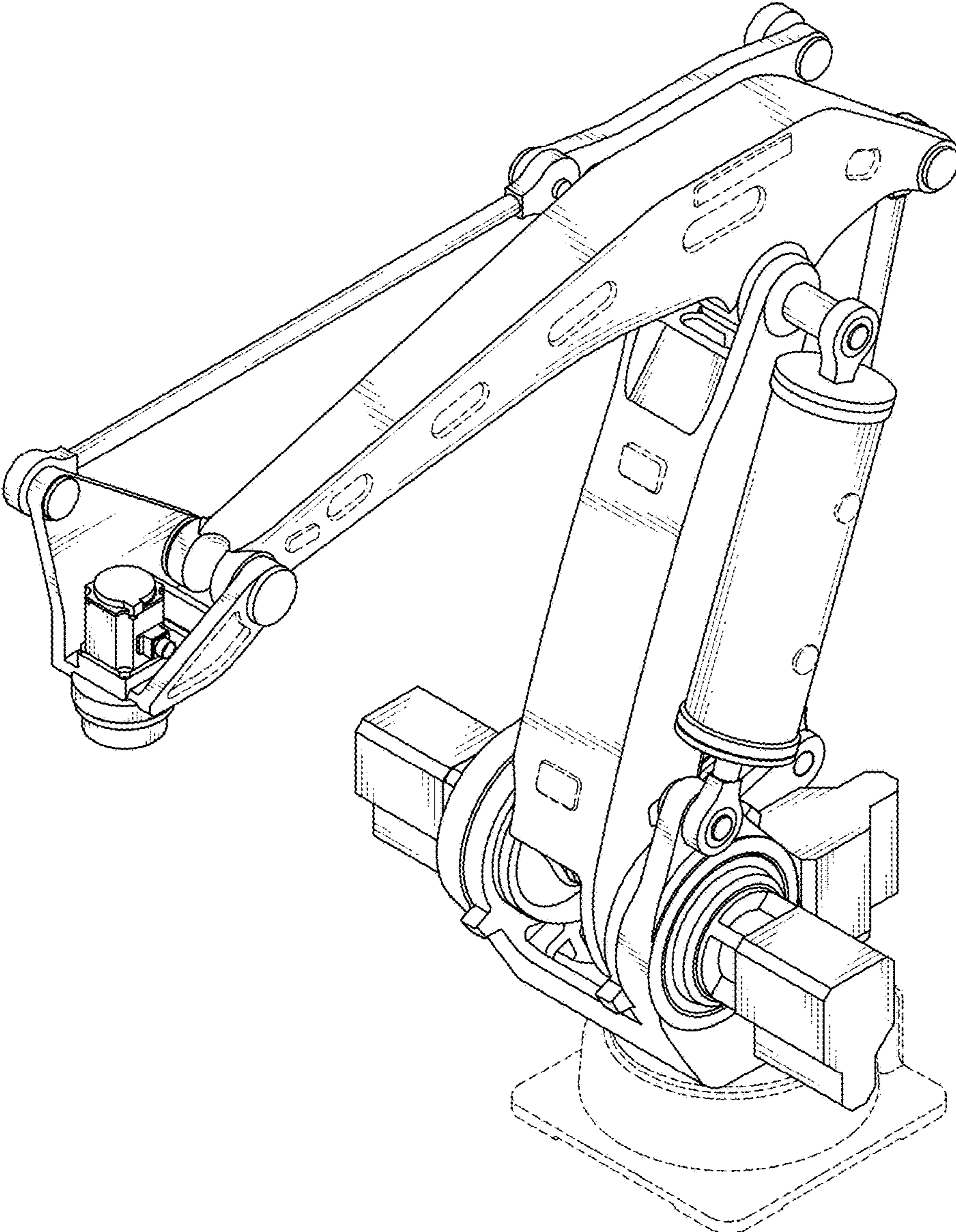


FIG. 1

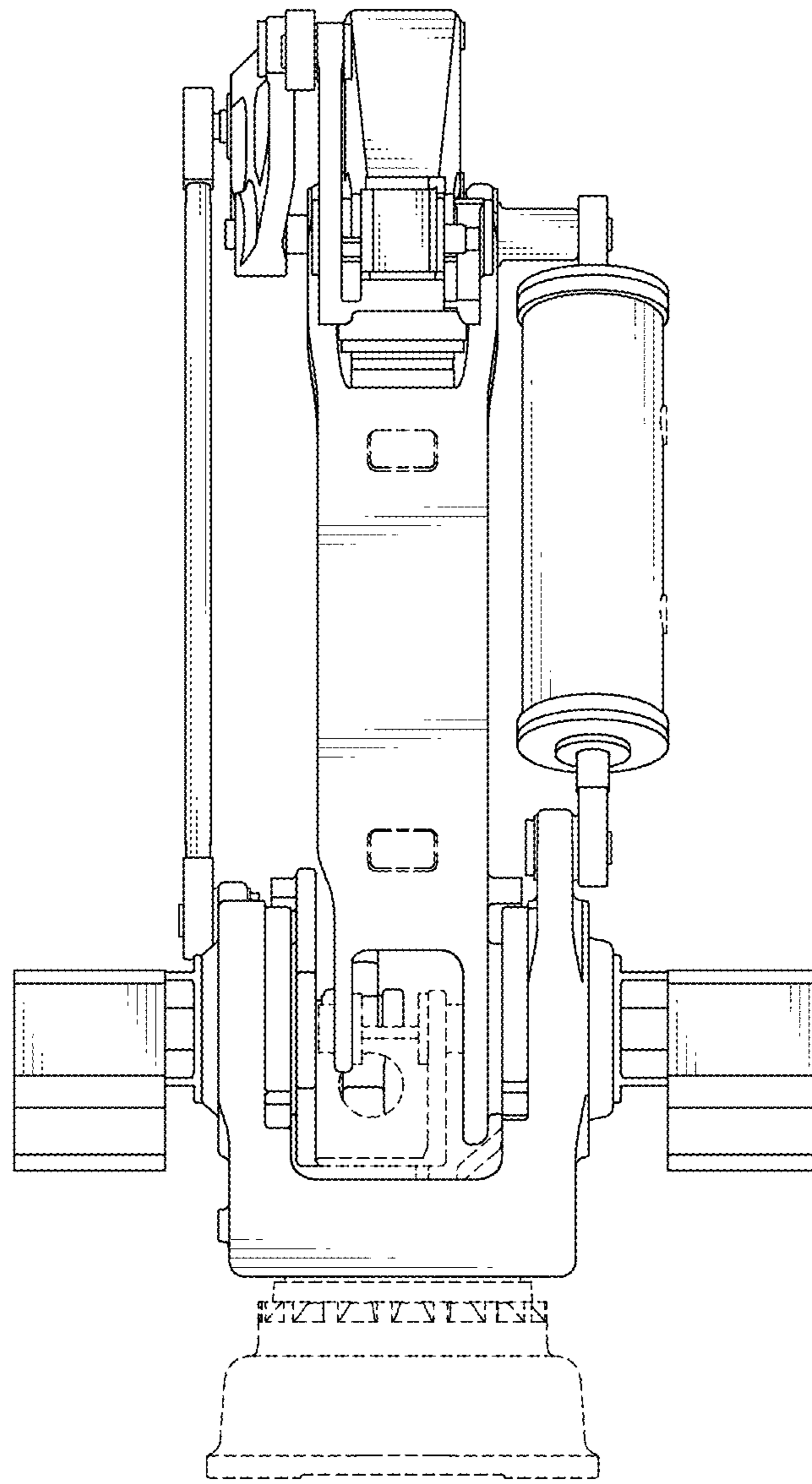


FIG. 2

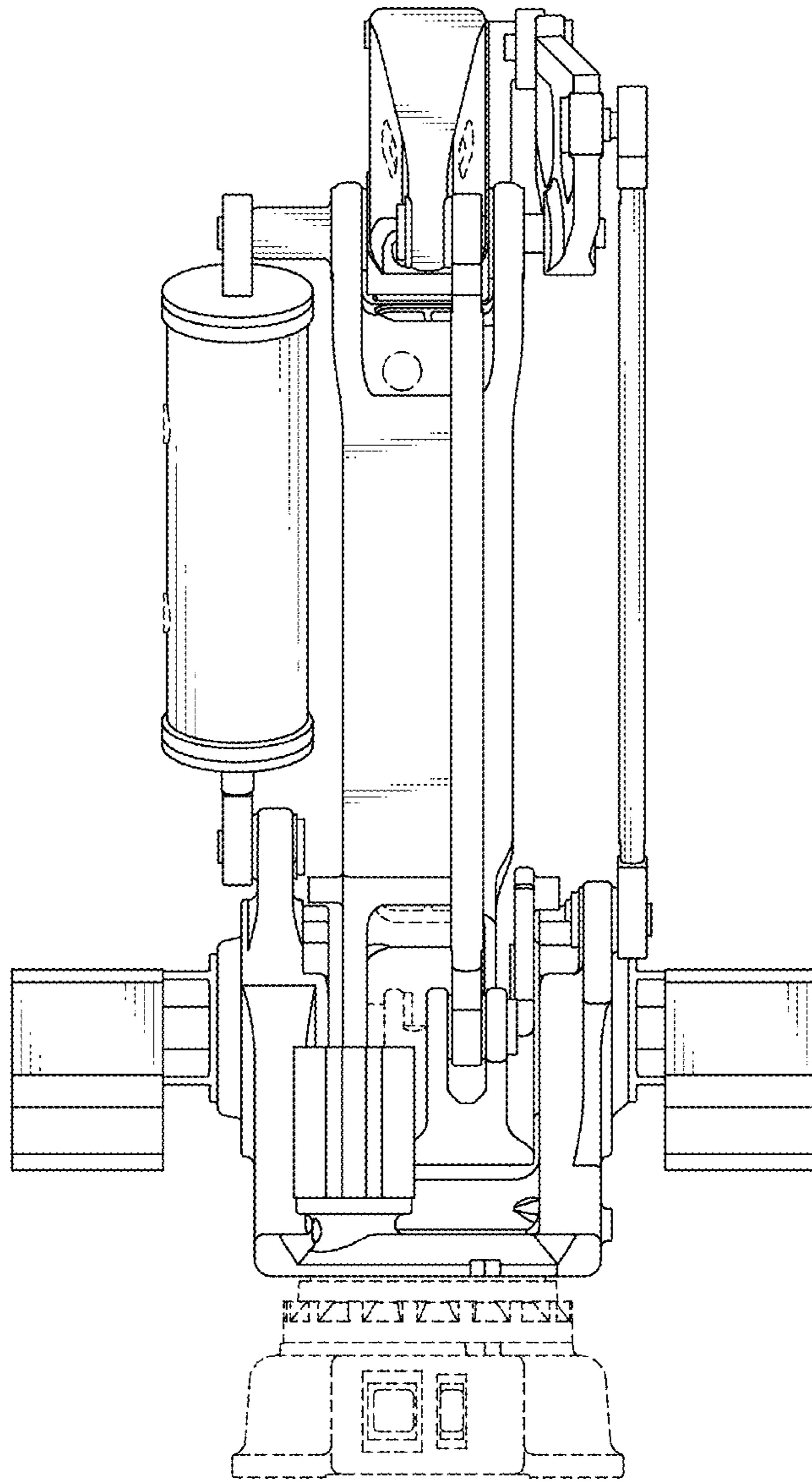


FIG. 3

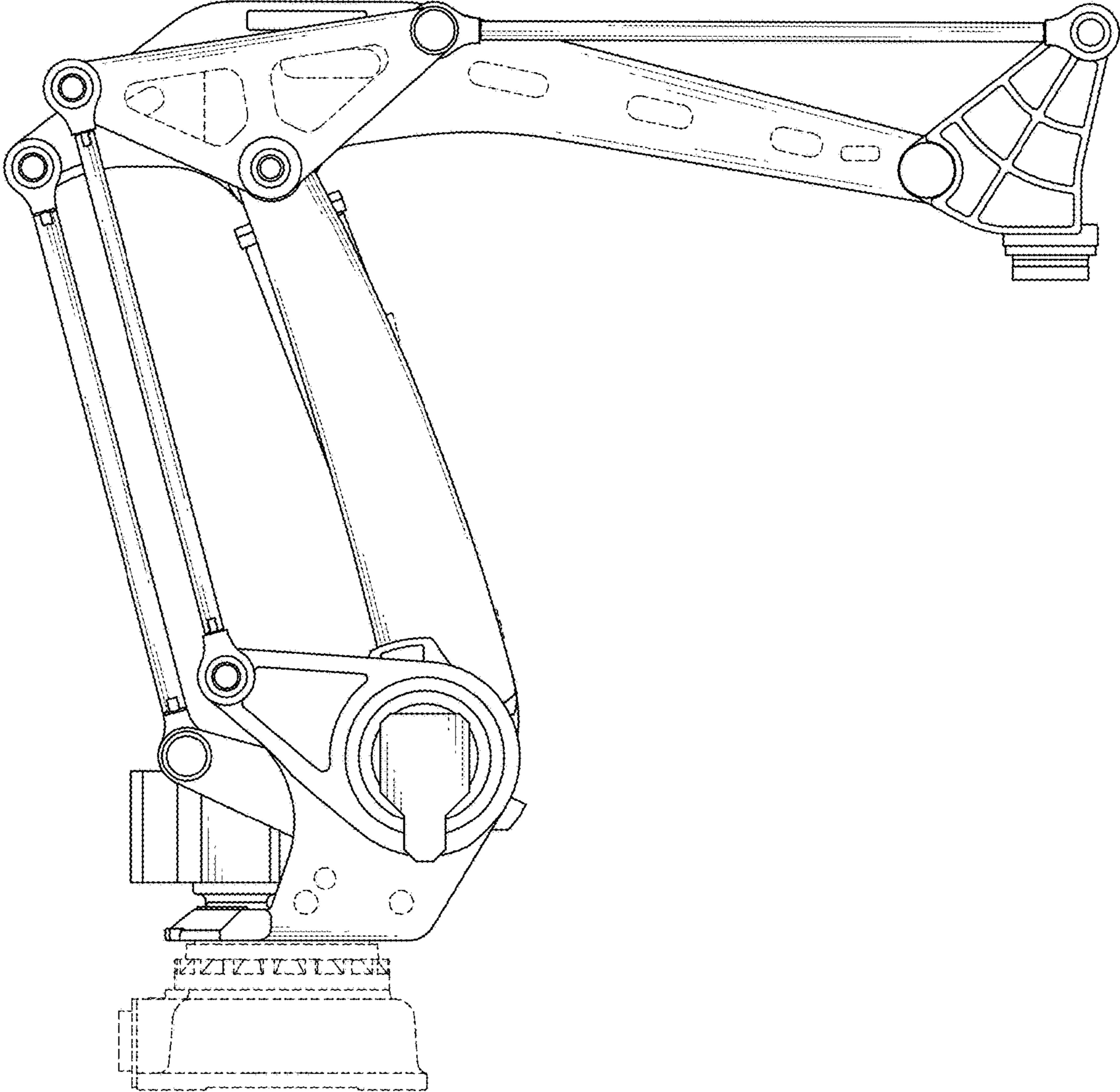


FIG. 4

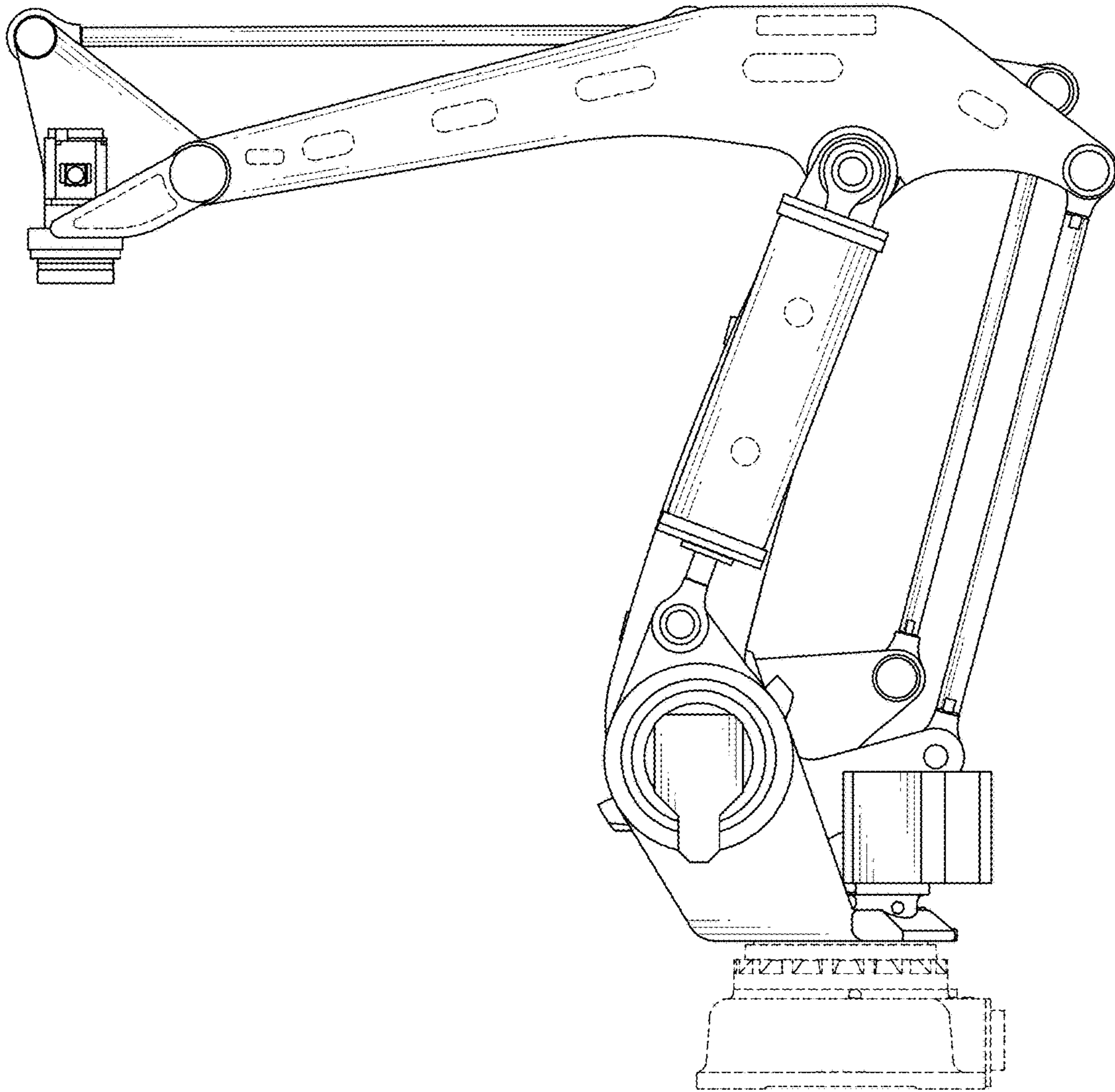


FIG. 5

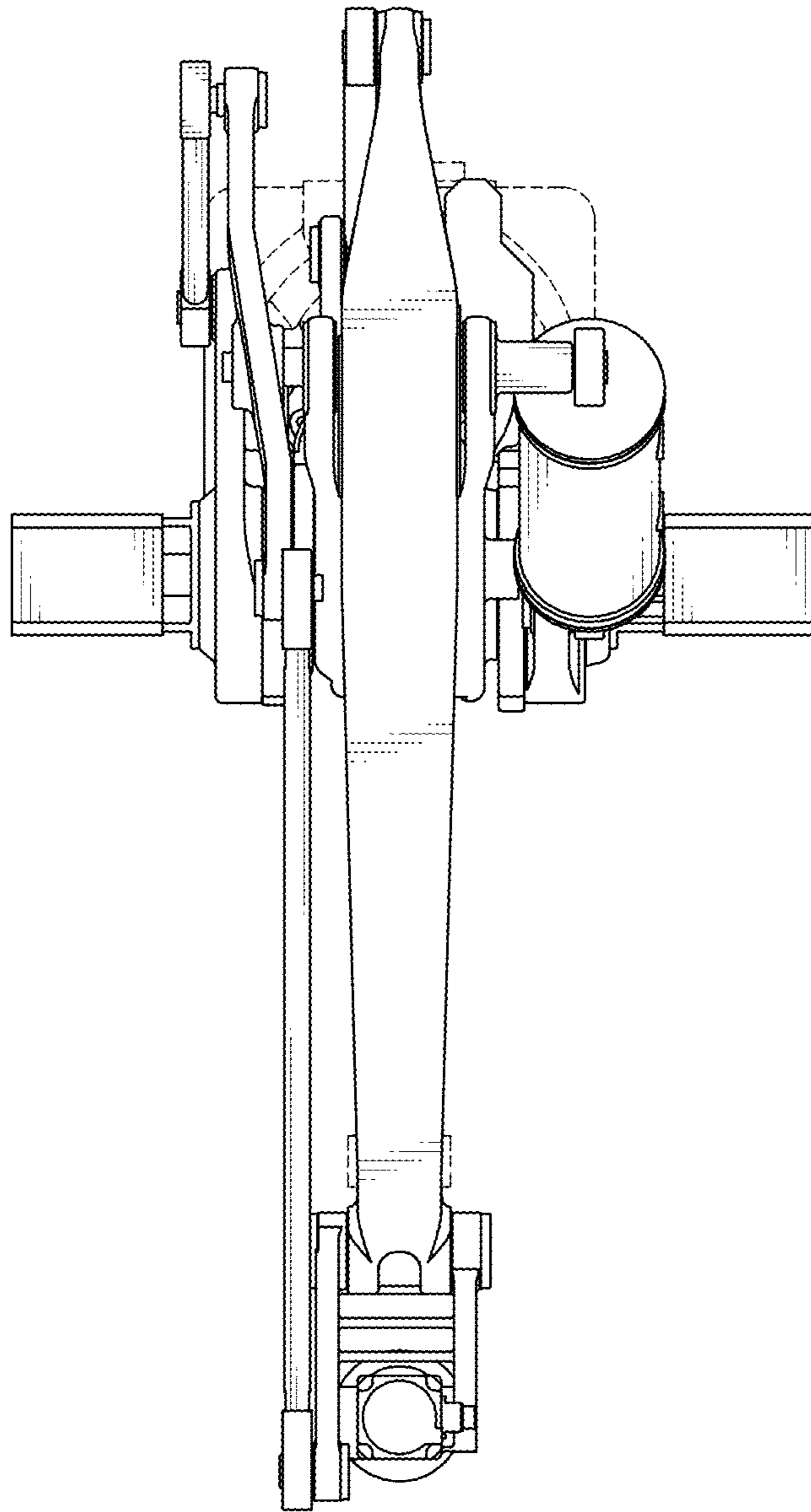


FIG. 6

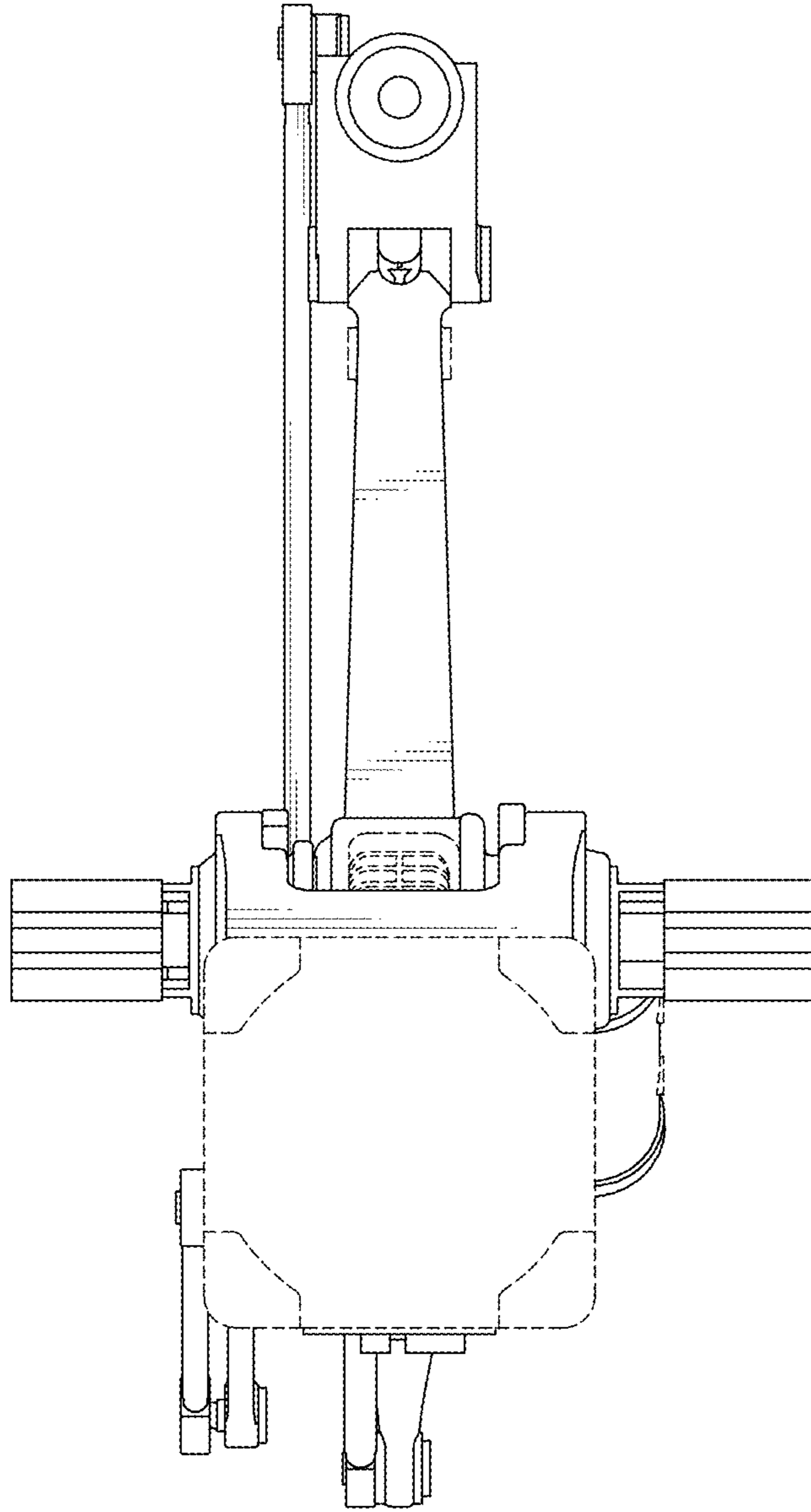


FIG. 7