



US00D778970S

(12) **United States Design Patent** (10) **Patent No.:** **US D778,970 S**  
**Levy et al.** (45) **Date of Patent:** **\*\* Feb. 14, 2017**

(54) **COLLECTION FUNNEL**  
(71) Applicant: **NAVAJO MANUFACTURING COMPANY, INC., Denver, CO (US)**  
(72) Inventors: **Gordon Levy, Golden, CO (US); Shawn Shelton, Denver, CO (US)**  
(73) Assignee: **Navajo Manufacturing Company, Inc., Denver, CO (US)**

5,316,059 A 5/1994 Lahnan et al.  
5,497,814 A 3/1996 Cannon  
5,706,873 A \* 1/1998 Benoit ..... F16N 31/002  
D402,169 S \* 12/1998 Hestehave ..... D7/700  
D415,662 S 10/1999 Schneider  
6,098,678 A 8/2000 Shears  
6,142,193 A 11/2000 Sanders  
6,179,022 B1 1/2001 Schneider et al.  
6,450,219 B1 9/2002 Ingram  
D554,166 S 10/2007 LaFollette  
D555,439 S 11/2007 Fletcher et al.  
D560,106 S 1/2008 Curtin  
D593,383 S 6/2009 Pallotto et al.  
D599,902 S 9/2009 Lilienthal et al.  
D654,766 S 2/2012 Vaders et al.

(\*\*) Term: **15 Years**  
(21) Appl. No.: **29/535,740**

(22) Filed: **Aug. 10, 2015**  
(51) **LOC (10) Cl.** ..... **15-09**  
(52) **U.S. Cl.**  
USPC ..... **D15/150**  
(58) **Field of Classification Search**  
USPC ..... D7/700; D15/150, 151, 152; D23/200;  
D24/121-123; 141/95, 98, 297-300,  
141/331-345

See application file for complete search history.

(56) **References Cited**

**U.S. PATENT DOCUMENTS**

192,987 A 7/1877 Griffiths  
D143,458 S 1/1946 Zabel et al.  
3,490,501 A 1/1970 Manem et al.  
D218,487 S \* 8/1970 Hestehave et al. .... 141/331  
D218,773 S 9/1970 Sitts  
D230,629 S 3/1974 Camp et al.  
3,899,012 A 8/1975 Sather  
4,245,666 A 1/1981 Norris  
D282,807 S 3/1986 Hasse  
4,646,795 A 3/1987 Hebron et al.  
4,804,026 A 2/1989 Bailey  
5,092,471 A 3/1992 Pinizzotto et al.  
D340,460 S 10/1993 Pollak et al.  
D340,731 S 10/1993 Pollak et al.

**FOREIGN PATENT DOCUMENTS**

GB 612851 11/1948  
GB 2 266 251 A 10/1993

*Primary Examiner* — Patricia Palasik  
(74) *Attorney, Agent, or Firm* — Stuebaker & Brackett  
PC

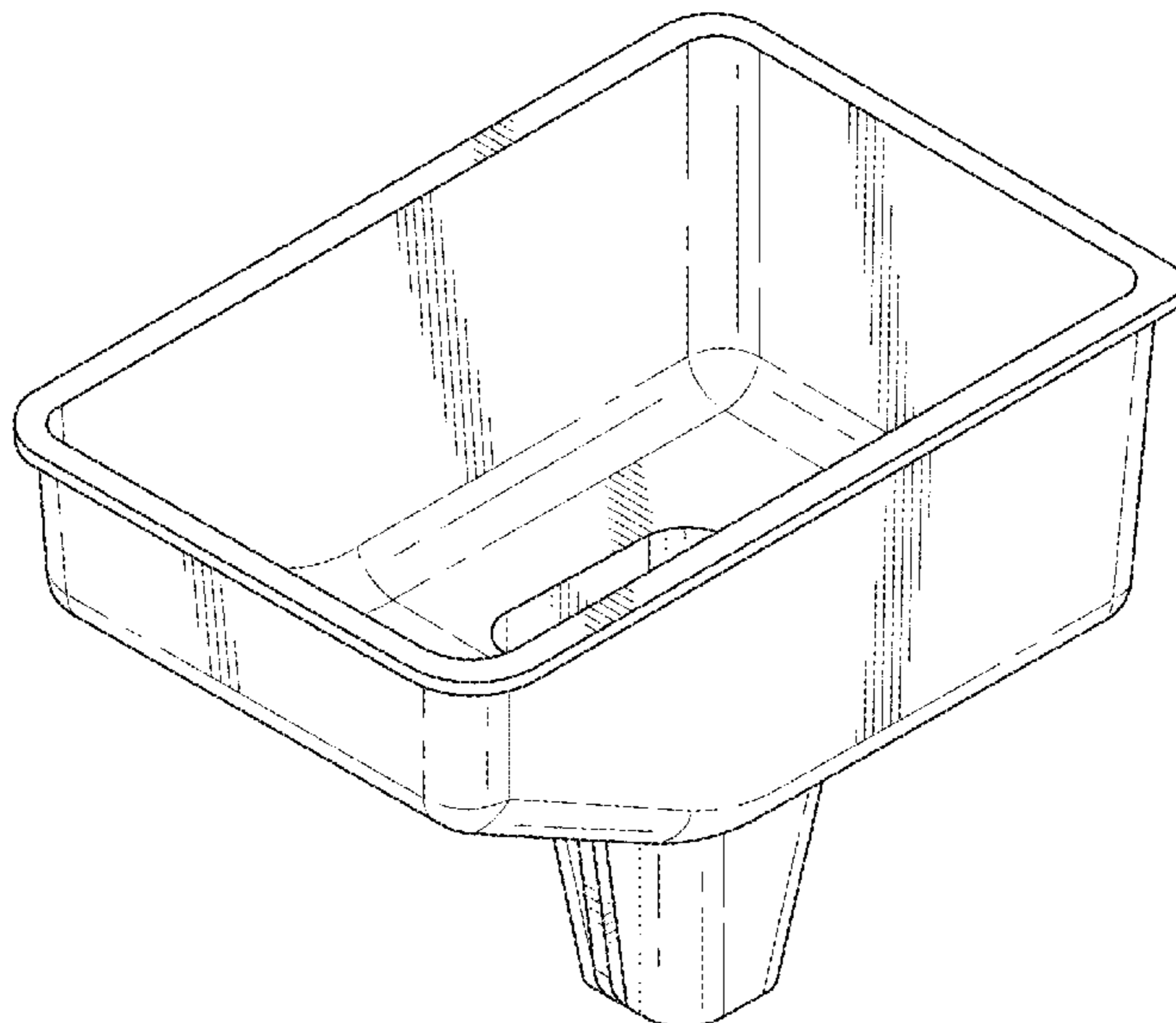
(57) **CLAIM**

The ornamental design for an collection funnel, as shown and described.

**DESCRIPTION**

FIG. 1 is a perspective view showing our new design for an collection funnel,  
FIG. 2 is another perspective view thereof  
FIG. 3 is a top view thereof,  
FIG. 4 is a bottom view thereof,  
FIG. 5 is a right side view thereof,  
FIG. 6 is a left side view thereof,  
FIG. 7 is a front view thereof; and,  
FIG. 8 is a rear view thereof.

**1 Claim, 4 Drawing Sheets**



(56)

**References Cited**

U.S. PATENT DOCUMENTS

D661,957 S	6/2012	Lee et al.	
D669,750 S	10/2012	Lee et al.	
D671,379 S	11/2012	Lion	
D690,340 S	9/2013	Levy et al.	
D690,752 S	10/2013	Levy et al.	
D762,255 S *	7/2016	Levy .....	D15/150
2012/0152408 A1	6/2012	Levy et al.	

\* cited by examiner

FIG. 1

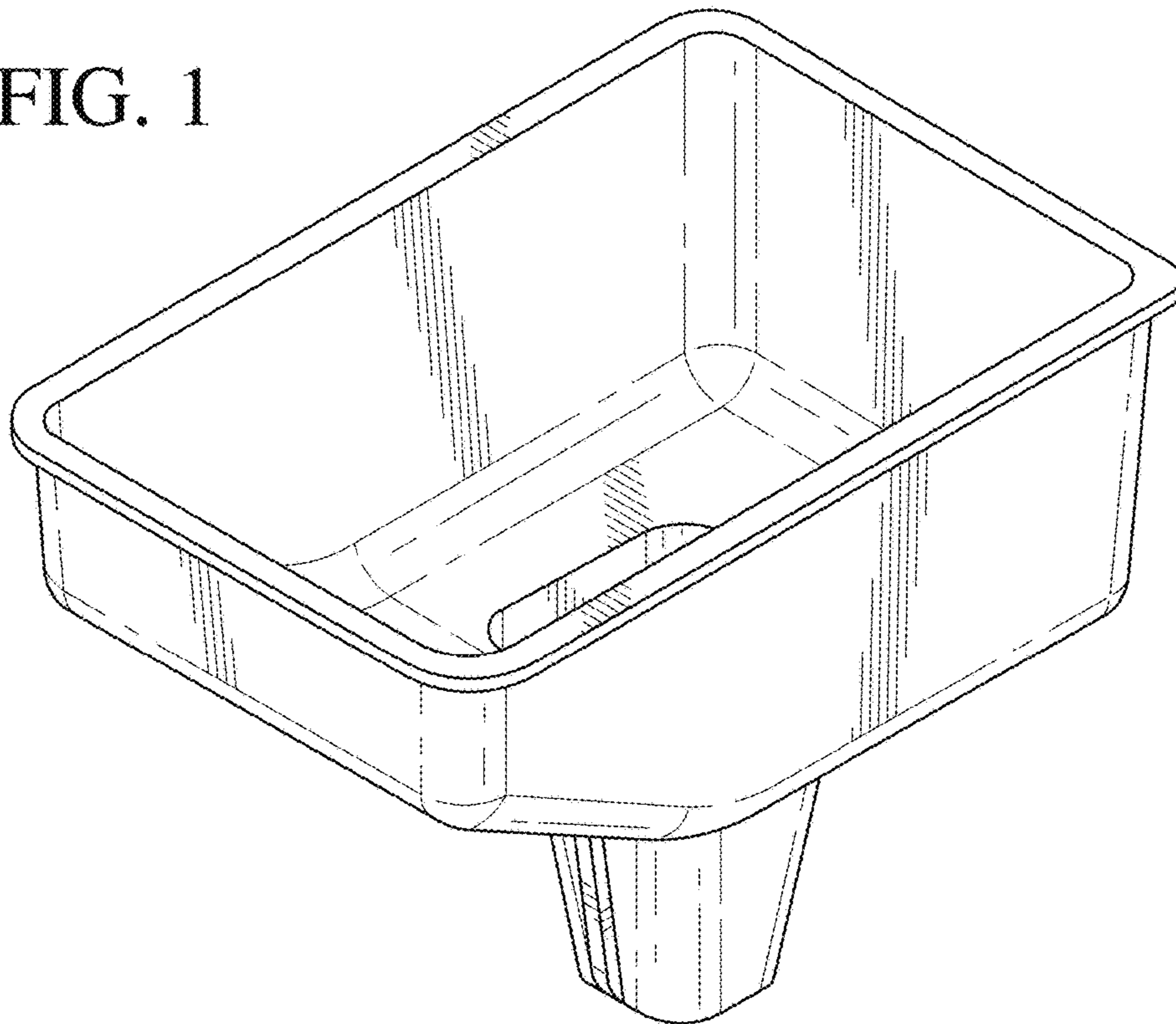
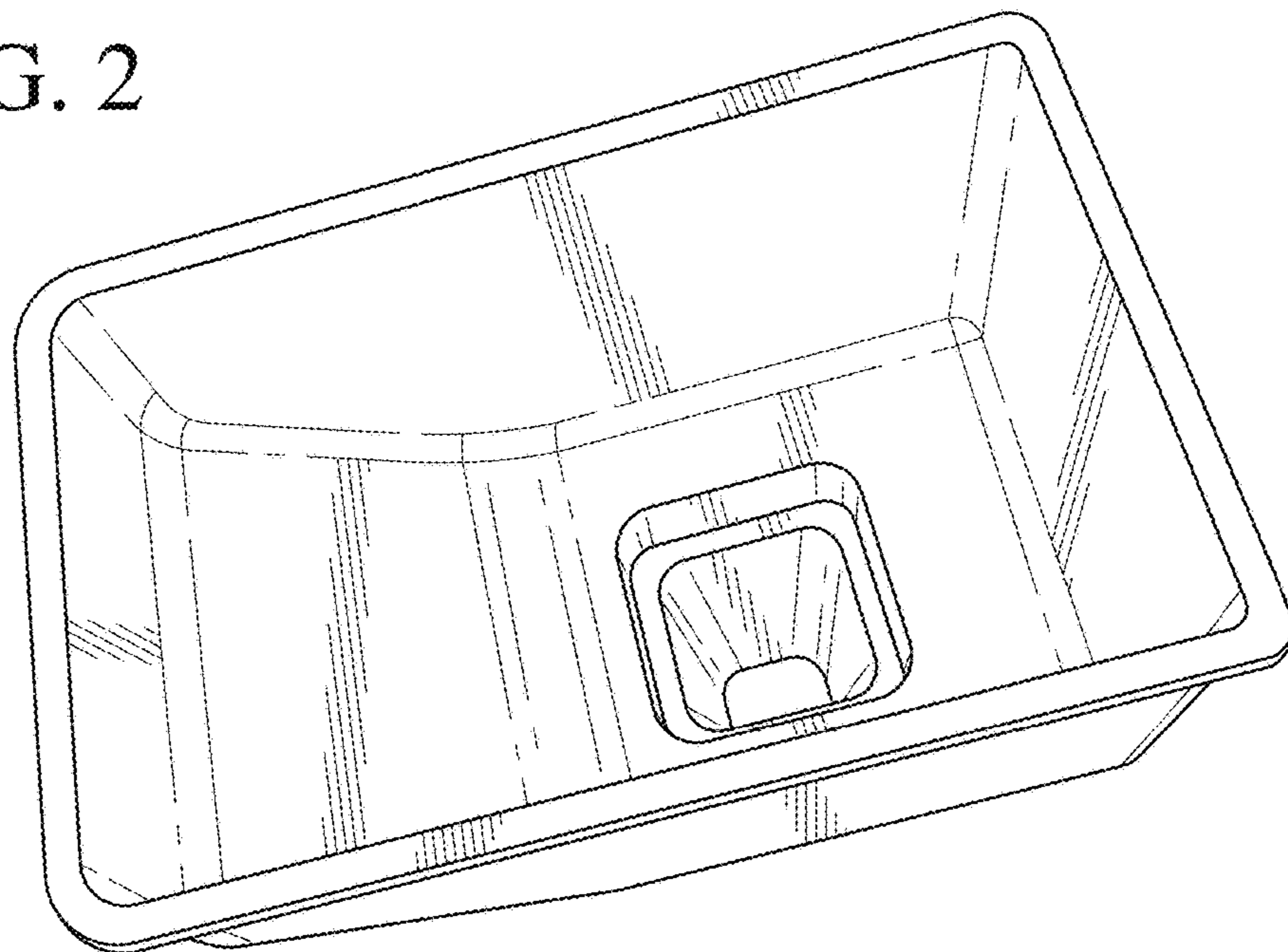


FIG. 2



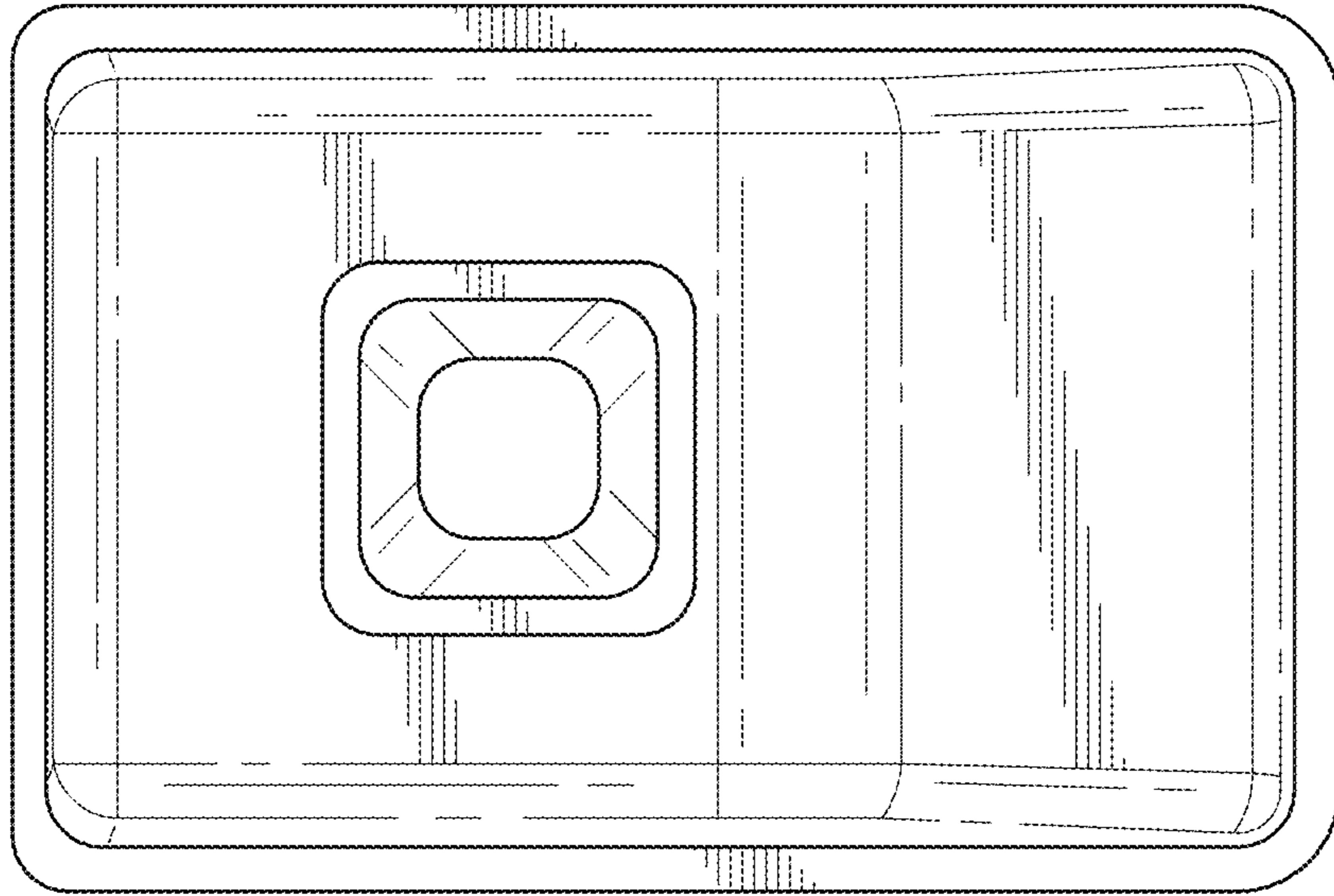


FIG. 3

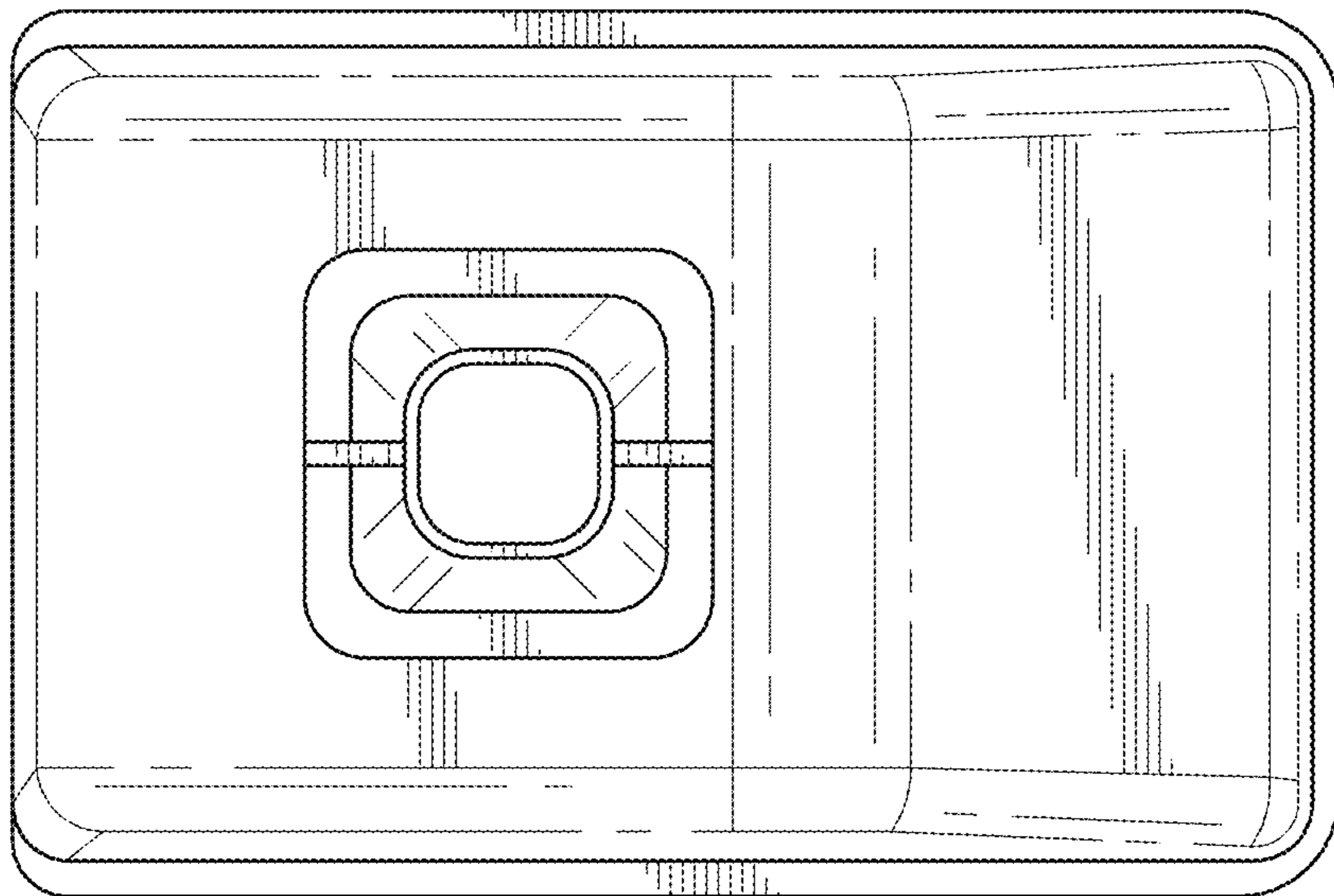


FIG. 4

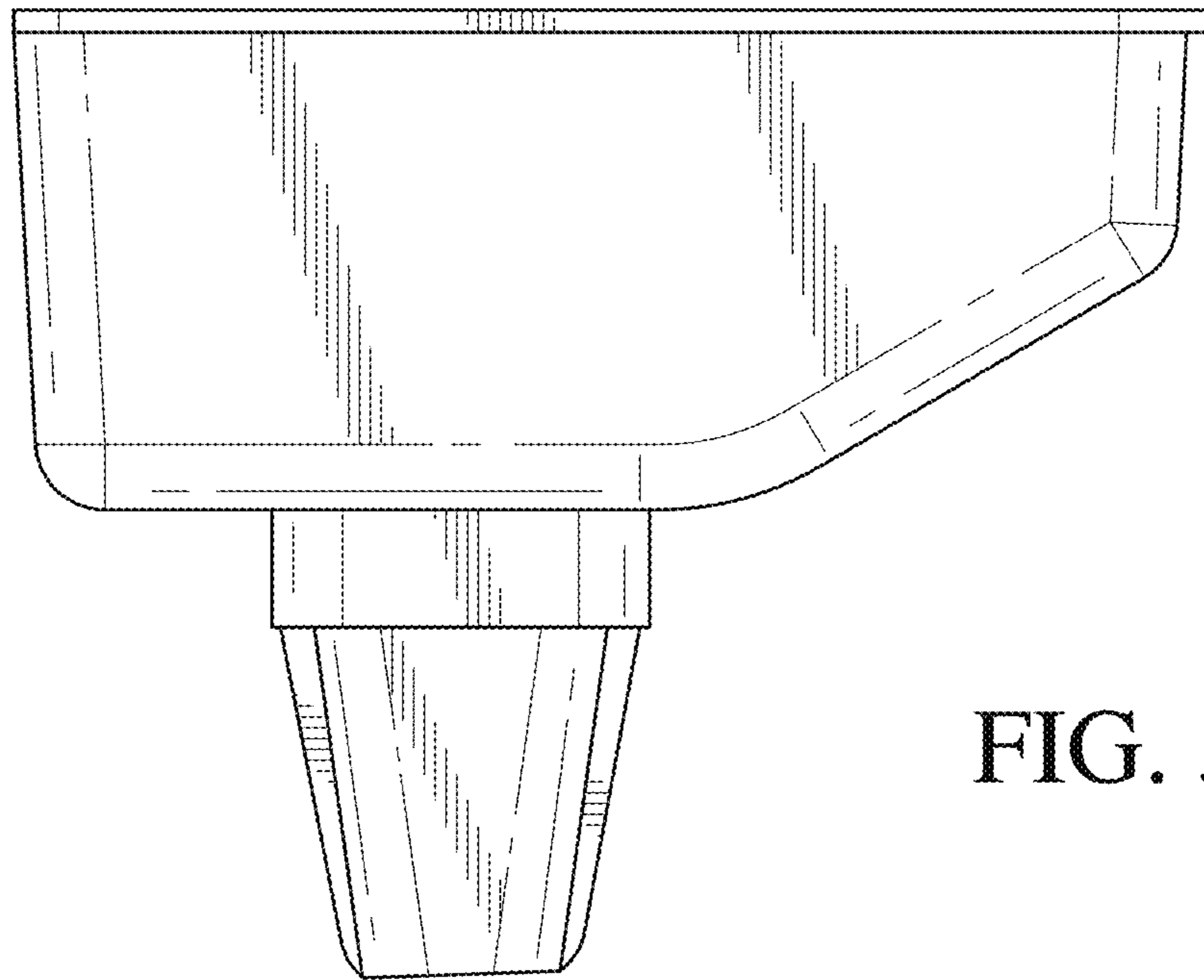


FIG. 5

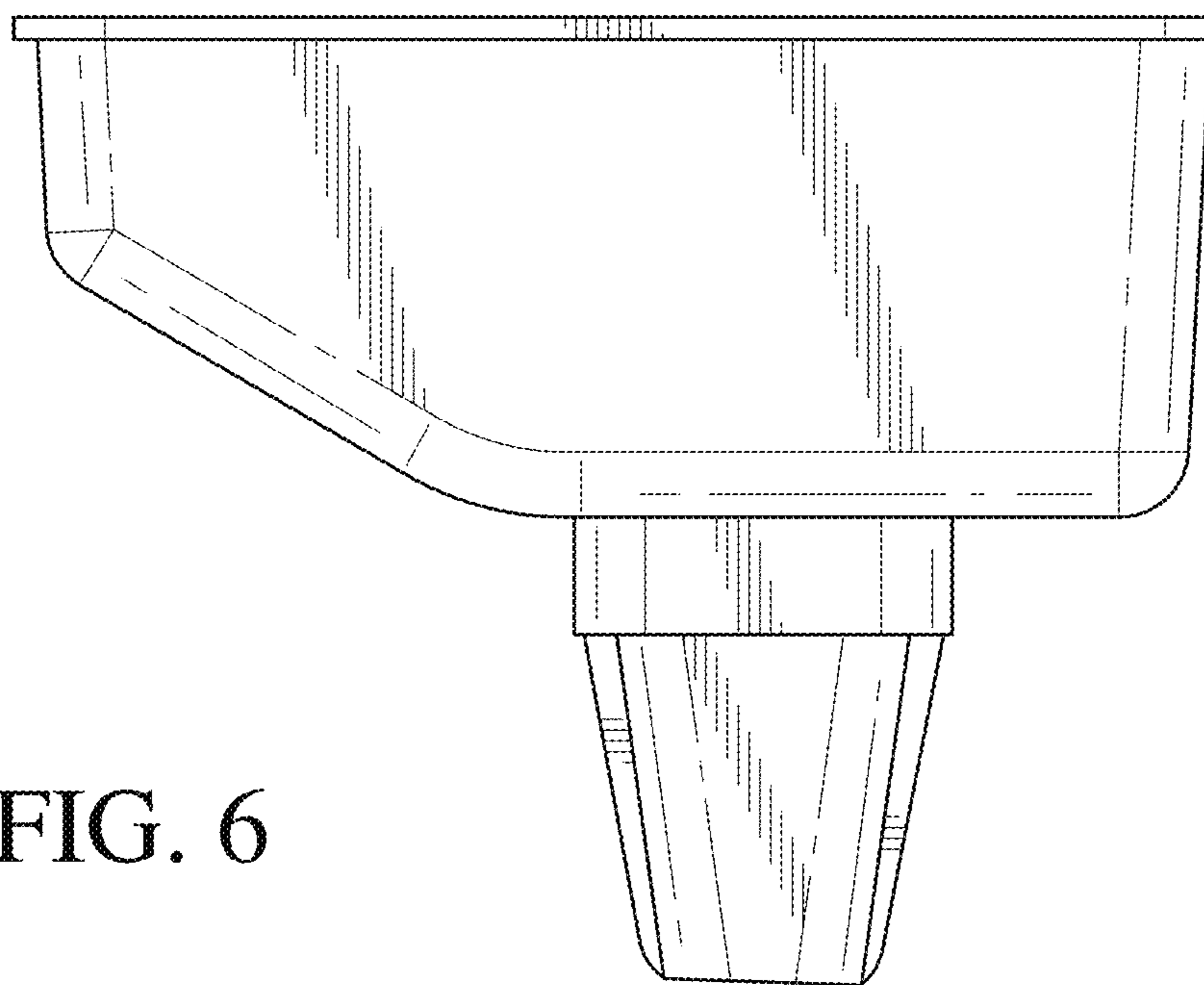


FIG. 6

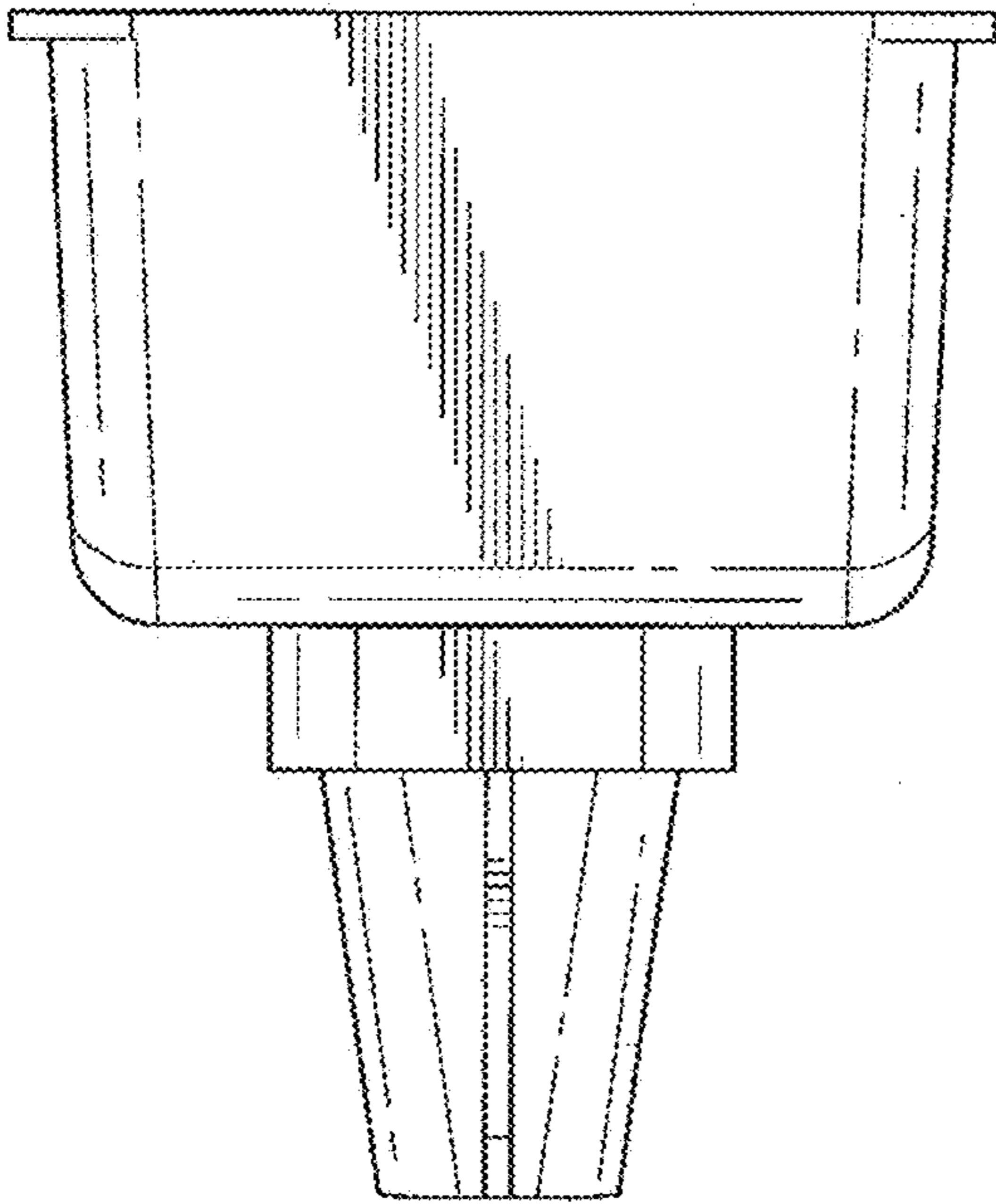


FIG. 7

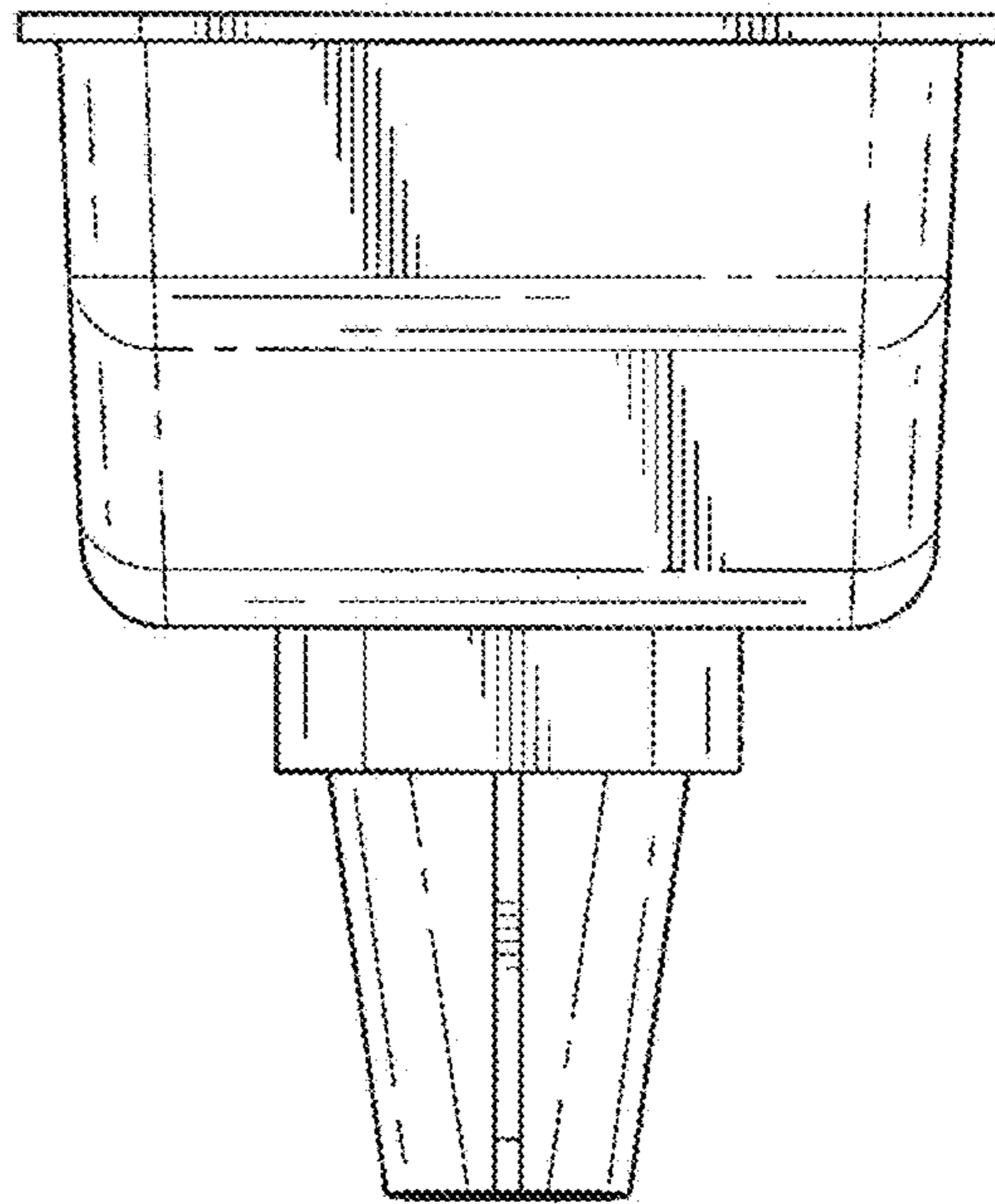


FIG. 8