



US00D778968S

(12) **United States Design Patent** (10) **Patent No.:** **US D778,968 S**
Lück (45) **Date of Patent:** **** Feb. 14, 2017**

(54) **LINEAR ACTUATOR**

(71) Applicant: **LINAK A/S**, Nordborg (DK)

(72) Inventor: **Jens Lorenz Kjaer Lück**, Sønderborg (DK)

(73) Assignee: **Linak A/S**, Nordborg (DK)

(**) Term: **15 Years**

(21) Appl. No.: **29/566,280**

(22) Filed: **May 27, 2016**

Related U.S. Application Data

(62) Division of application No. 29/514,598, filed on Jan. 14, 2015, now Pat. No. Des. 762,753.

(30) **Foreign Application Priority Data**

Jul. 16, 2014 (DK) 2014 00068

(51) **LOC (10) Cl.** **15-09**

(52) **U.S. Cl.**
USPC **D15/143**

(58) **Field of Classification Search**
USPC D13/118, 158, 162, 184; D15/1-5, 7, 9,
D15/143, 148, 199

See application file for complete search history.

(56) **References Cited**

U.S. PATENT DOCUMENTS

- 3,844,177 A * 10/1974 Bourassa B23Q 3/18
74/89.37
- 4,712,441 A * 12/1987 Abraham F16H 25/2015
74/412 TA
- 4,858,481 A * 8/1989 Abraham F16H 25/2015
192/141
- D458,284 S * 6/2002 Landerholm D15/143

(Continued)

Primary Examiner — Patricia Palasik

(74) *Attorney, Agent, or Firm* — Dykema Gossett PLLC

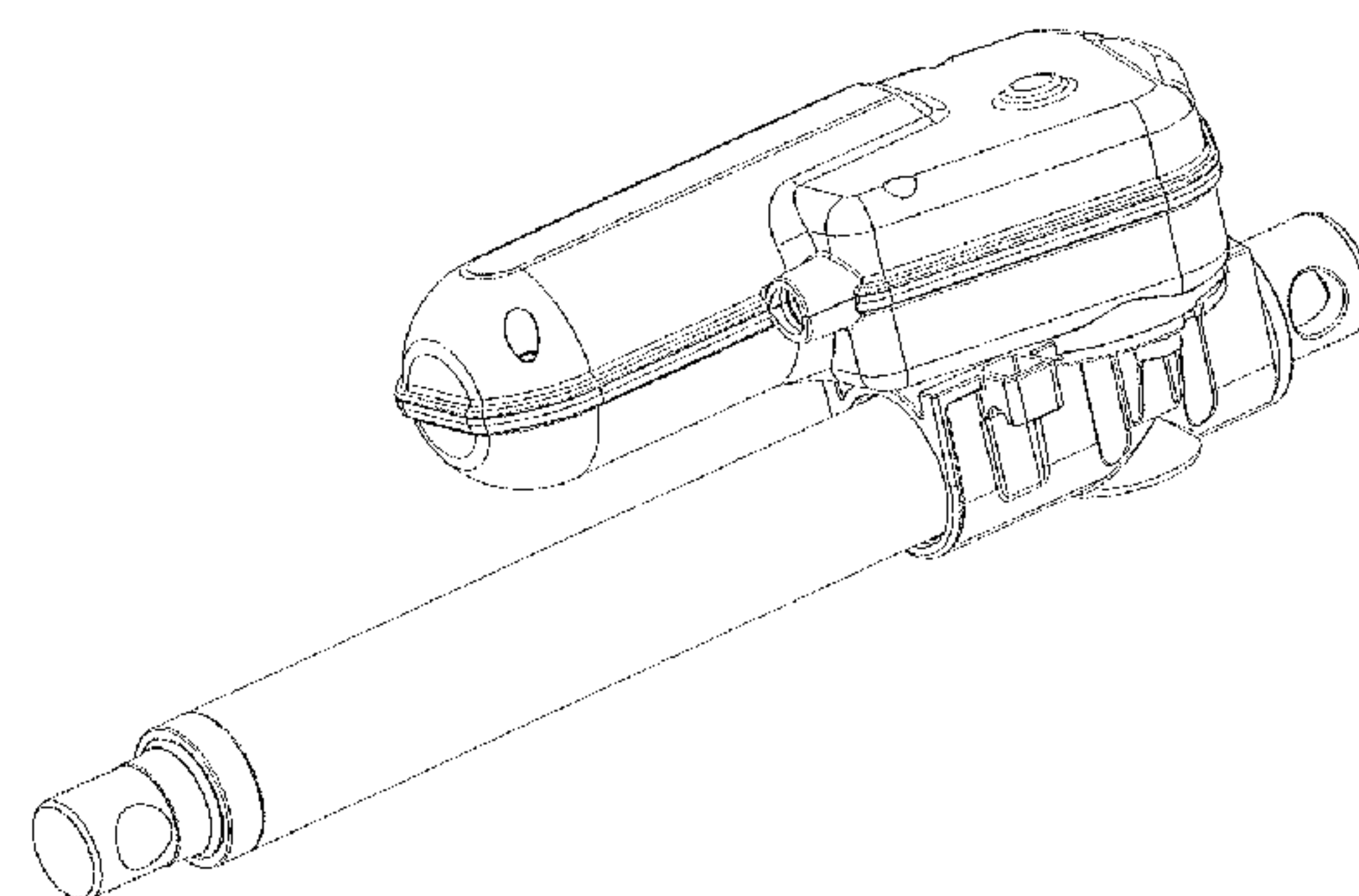
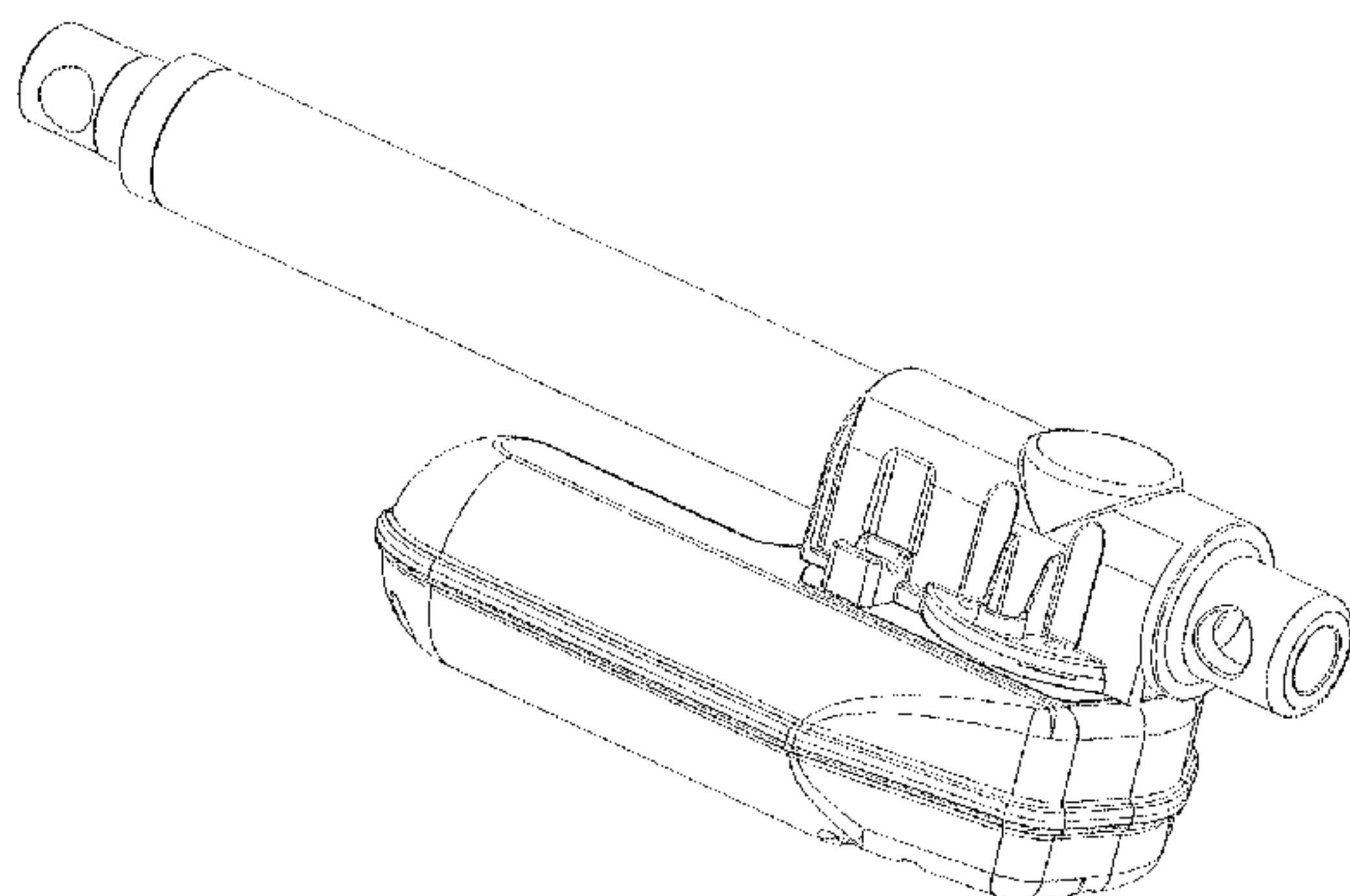
(57) **CLAIM**

The ornamental design for a linear actuator, as shown and described.

DESCRIPTION

FIG. 1 is a first perspective view of a linear actuator showing my new and ornamental design,
 FIG. 2 is a second perspective view thereof,
 FIG. 3 is a front view thereof,
 FIG. 4 is a first side view thereof,
 FIG. 5 is a rear view thereof,
 FIG. 6 is a second, opposite side view thereof,
 FIG. 7 is a first end view thereof, and
 FIG. 8 is a second, opposite end view thereof,
 FIG. 9 is another first perspective view showing an alternate condition of use,
 FIG. 10 is a second perspective view thereof,
 FIG. 11 is a front view thereof,
 FIG. 12 is a first side view thereof,
 FIG. 13 is a rear view thereof,
 FIG. 14 is a second, opposite side view thereof,
 FIG. 15 is a first end view thereof, and
 FIG. 16 is a second, opposite end view thereof,
 FIG. 17 is another first perspective view showing an alternate condition of use,
 FIG. 18 is a second perspective view thereof,
 FIG. 19 is a front view thereof,
 FIG. 20 is a first side view thereof,
 FIG. 21 is a rear view thereof,
 FIG. 22 is a second, opposite side view thereof,
 FIG. 23 is a first end view thereof; and
 FIG. 24 is a second, opposite end view thereof.

1 Claim, 12 Drawing Sheets



(56)

References Cited

U.S. PATENT DOCUMENTS

6,848,327 B2 * 2/2005 Nagai F16C 29/063
74/89.23

D502,477 S * 3/2005 Beadle D15/143

D514,146 S * 1/2006 Haneball D15/143

D523,880 S * 6/2006 Christensen D15/143

D577,753 S * 9/2008 Lund D15/143

7,500,413 B2 * 3/2009 Huang B60Q 1/076
362/467

D589,991 S * 4/2009 Chen D15/143

D594,487 S * 6/2009 Lund D15/143

D595,752 S * 7/2009 Lin D15/143

D595,753 S * 7/2009 Tseng D15/143

D596,652 S * 7/2009 Roither D15/143

D620,961 S * 8/2010 Iversen D15/143

D624,101 S * 9/2010 Tseng D15/143

D624,102 S * 9/2010 Tseng D15/143

D632,321 S * 2/2011 Wu D15/143

7,935,901 B2 * 5/2011 Sorensen F16H 25/20
200/17 R

D646,310 S * 10/2011 Lan D15/143

D654,524 S * 2/2012 Iversen D15/199

D665,433 S * 8/2012 Beam D15/143

D686,257 S * 7/2013 Wu D15/143

D686,260 S * 7/2013 Wu D15/143

D686,648 S * 7/2013 Wu D15/143

8,534,147 B2 * 9/2013 Roither A47C 20/041
74/89.33

8,544,353 B2 * 10/2013 Beneker B60N 2/067
74/508

D696,704 S * 12/2013 Battistella D15/143

2005/0264109 A1 * 12/2005 Abrahamsen F16H 25/20
310/20

2014/0013878 A1 * 1/2014 Kollreider A47B 9/04
74/89.35

* cited by examiner

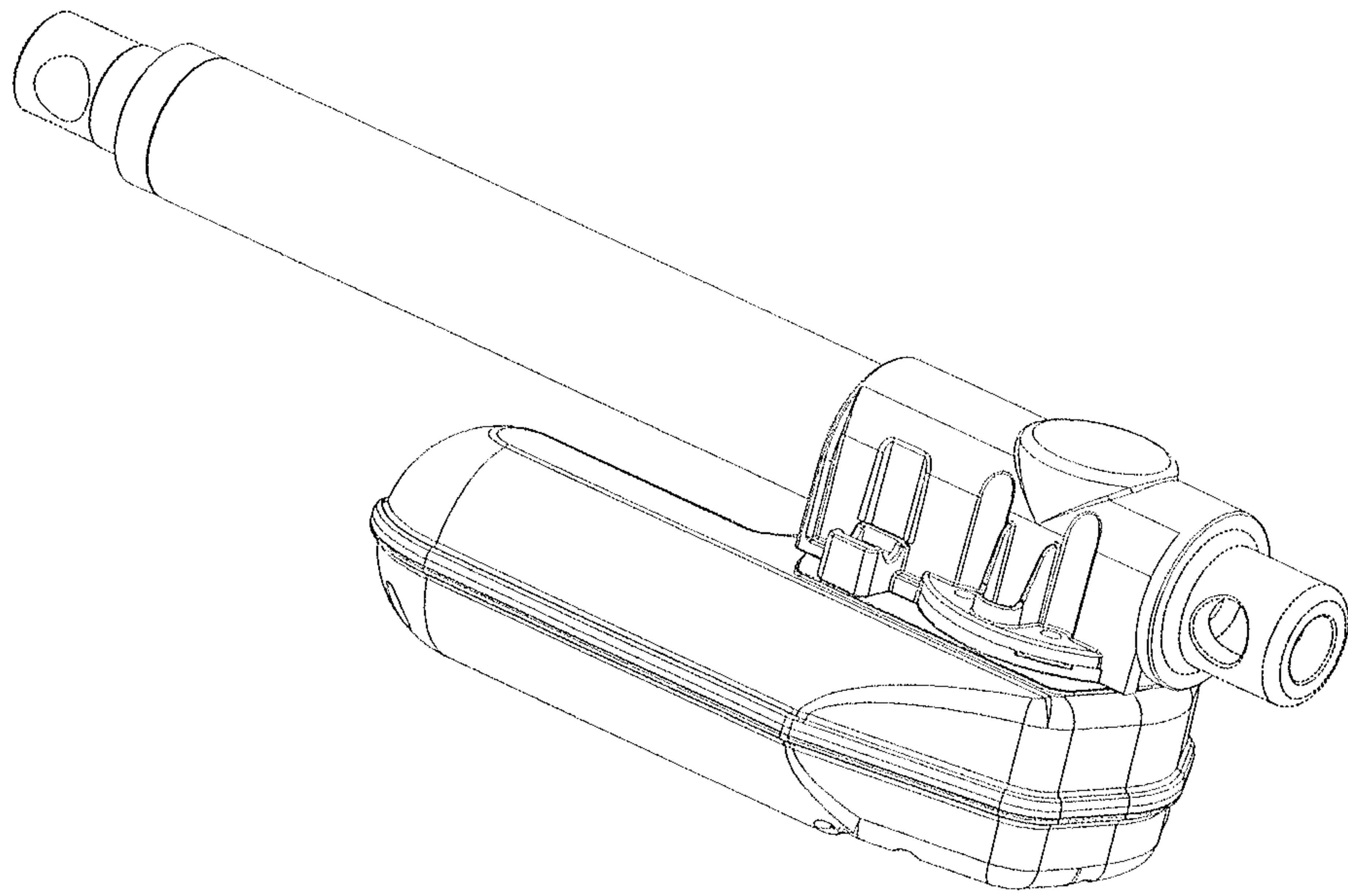


Fig. 1

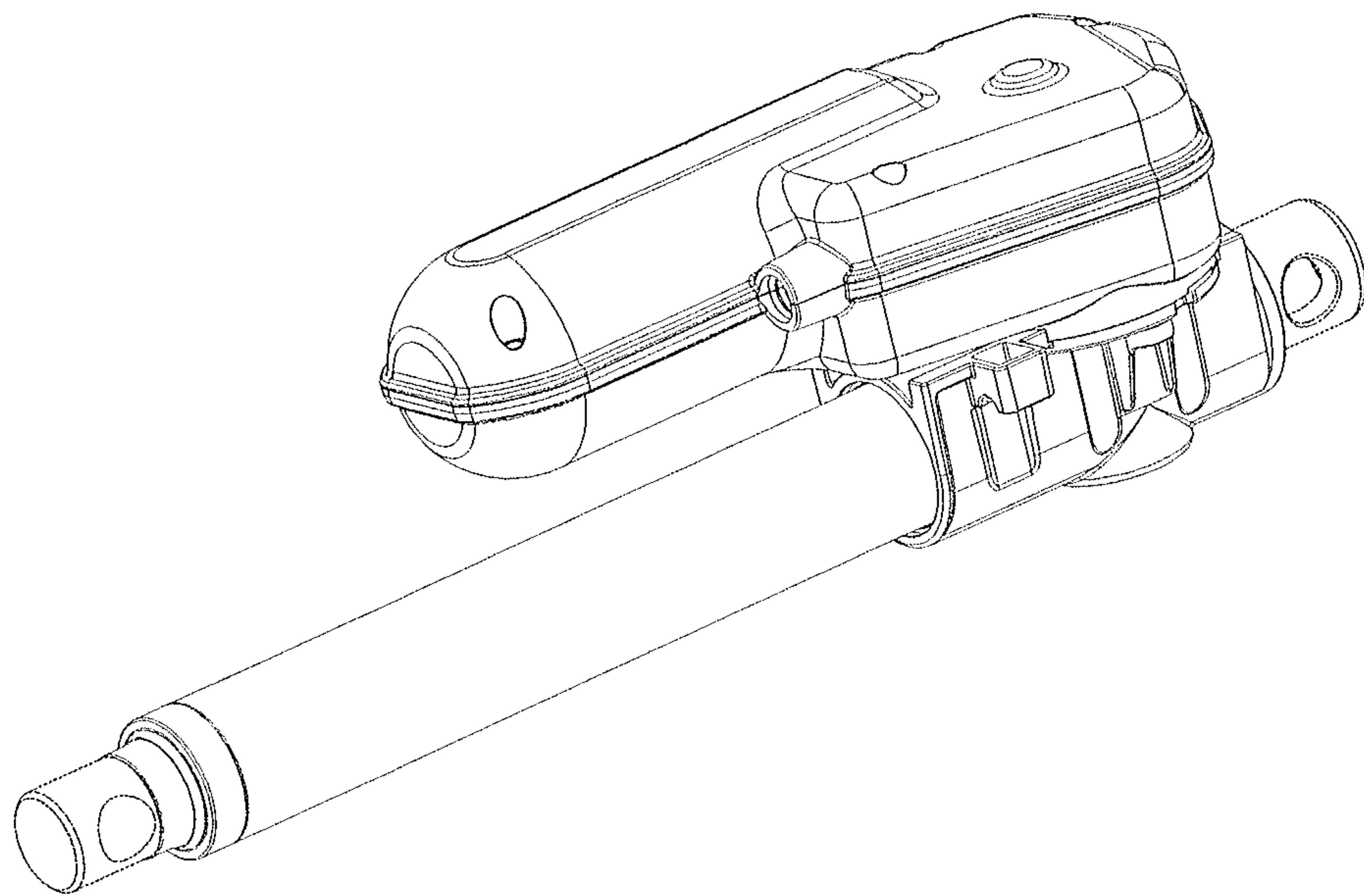


Fig. 2

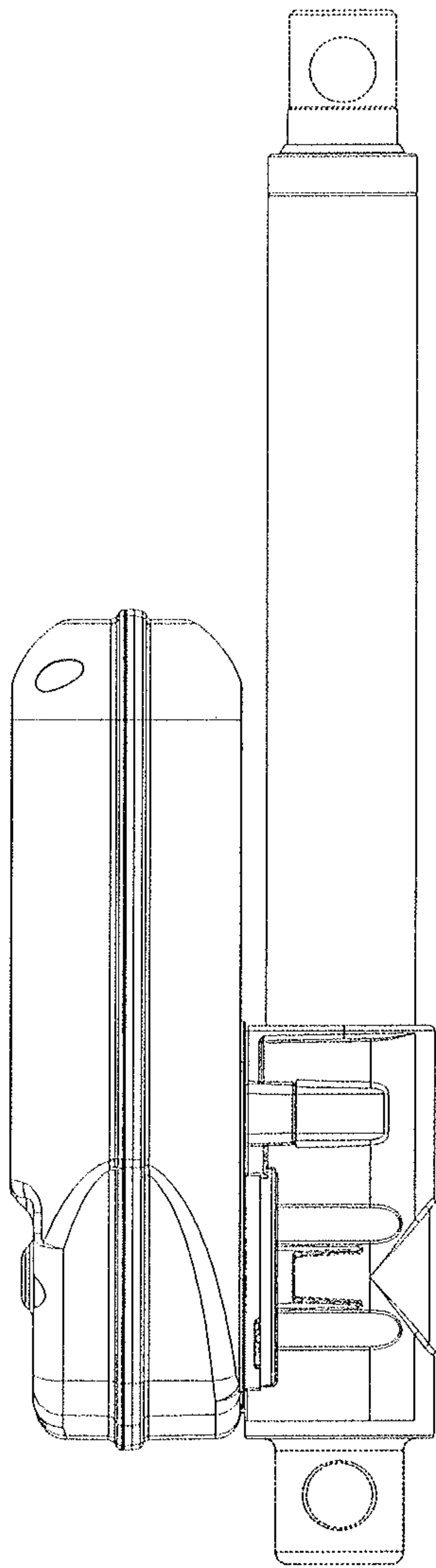


Fig. 4

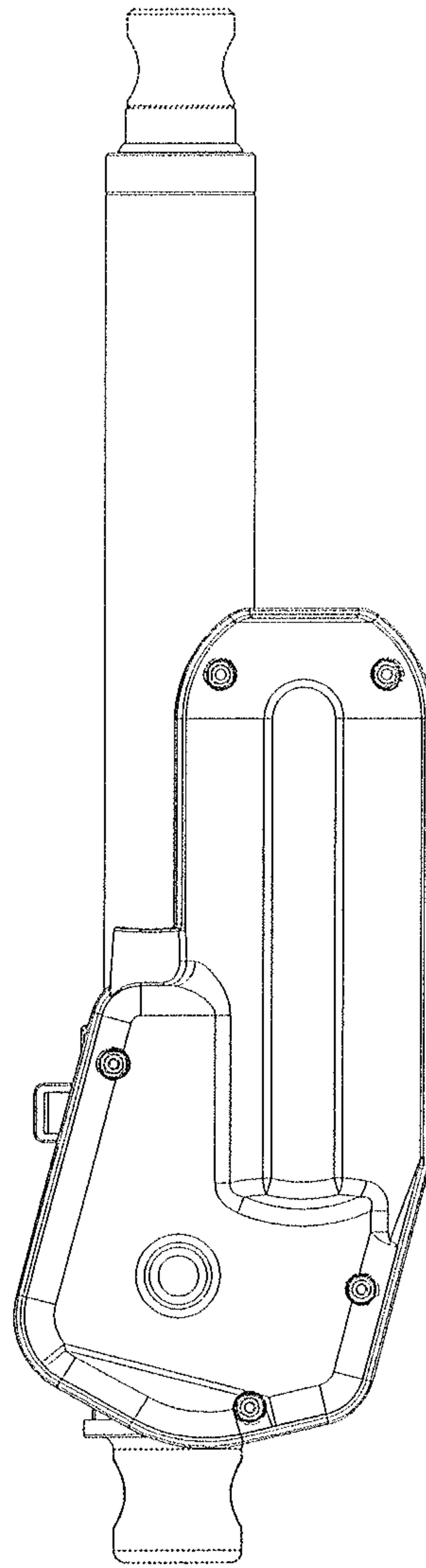


Fig. 3

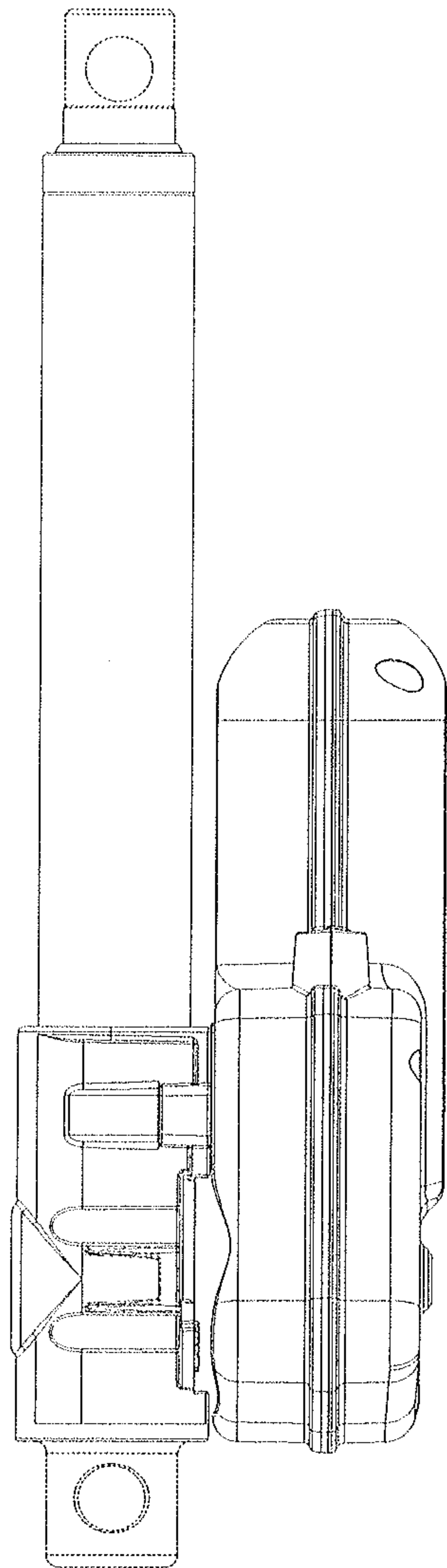


Fig. 6

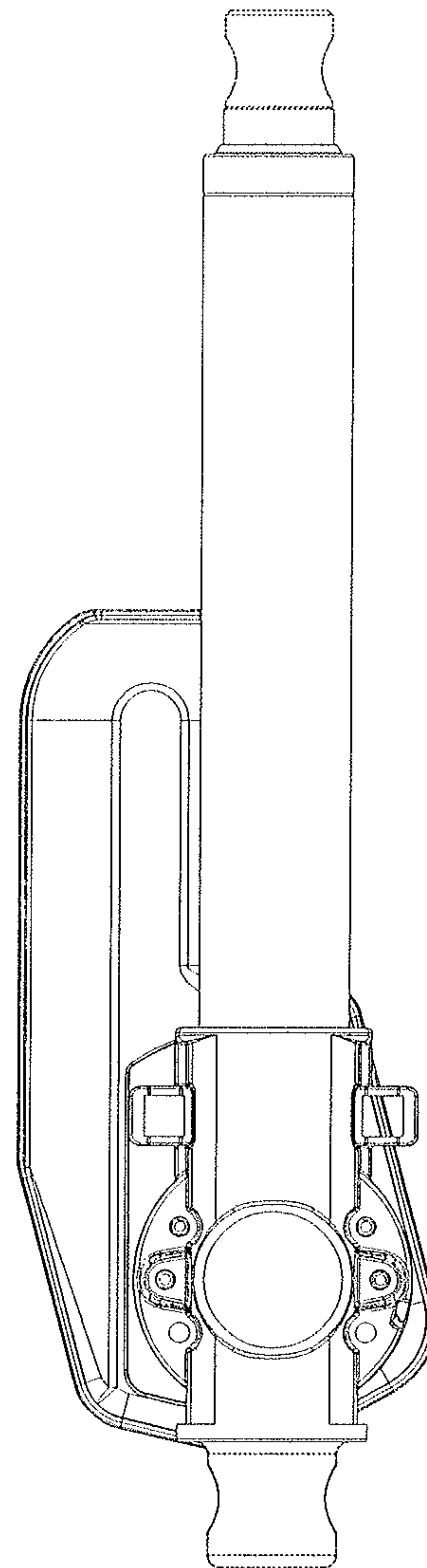


Fig. 5

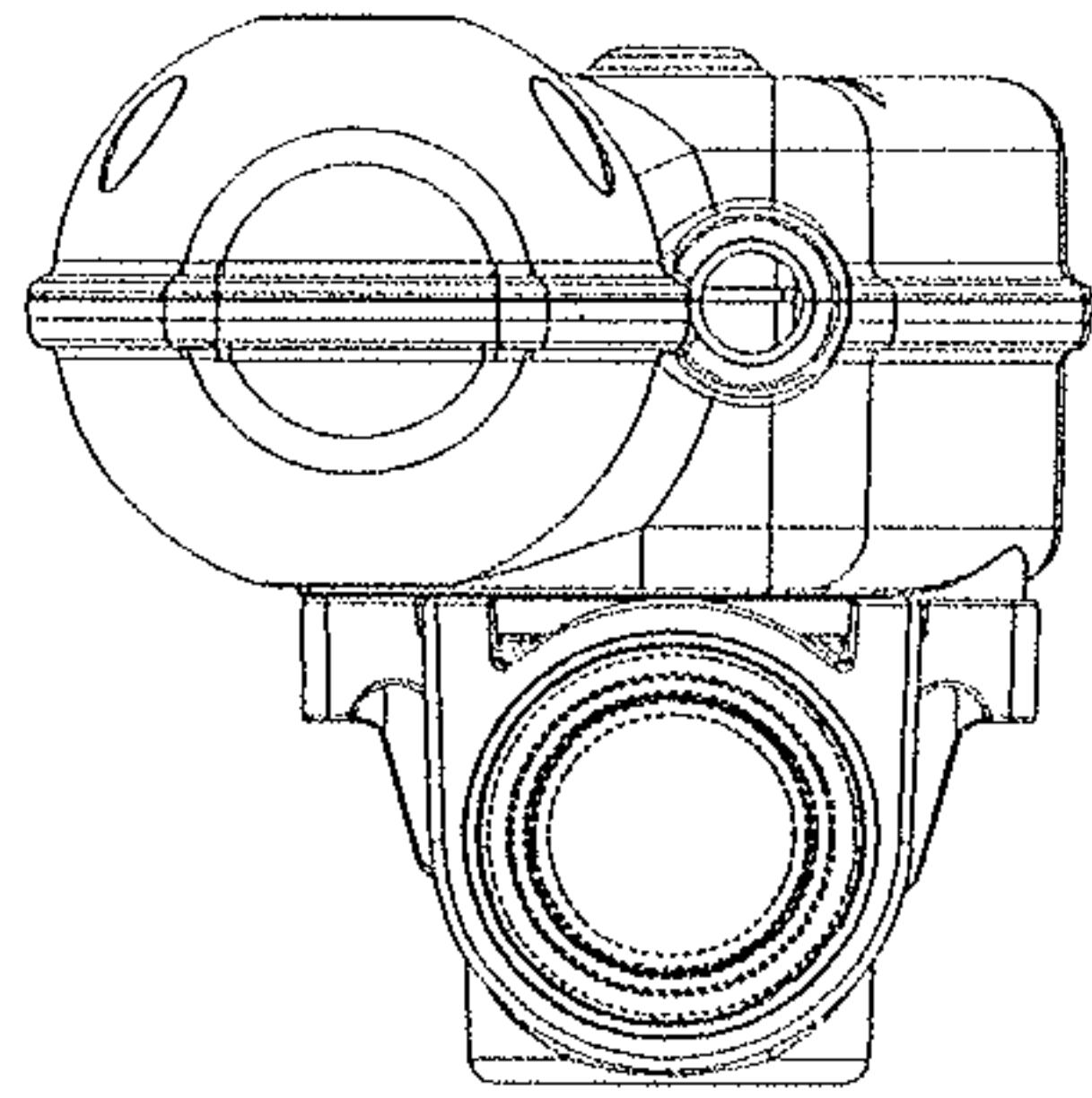


Fig. 7

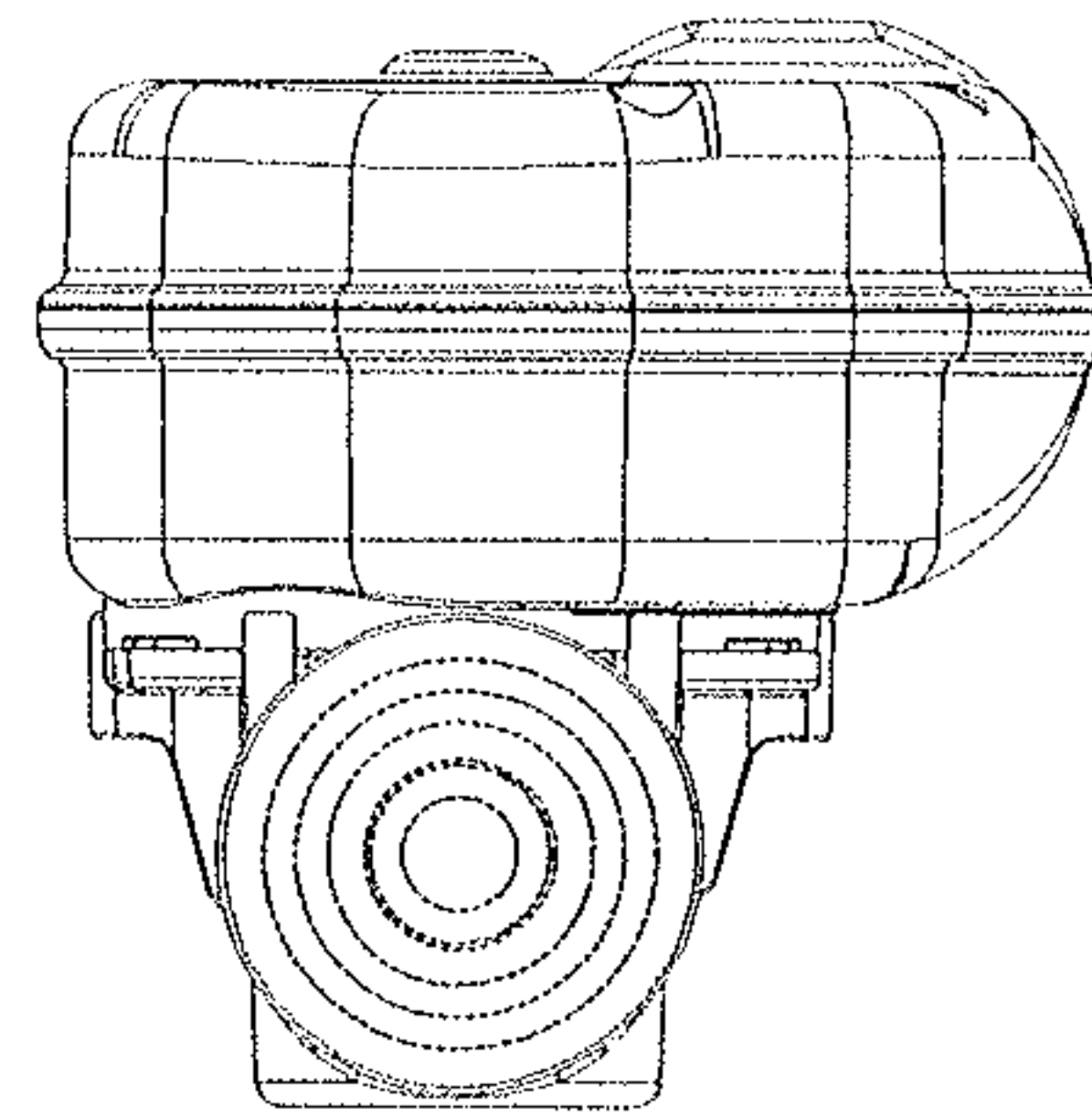


Fig. 8

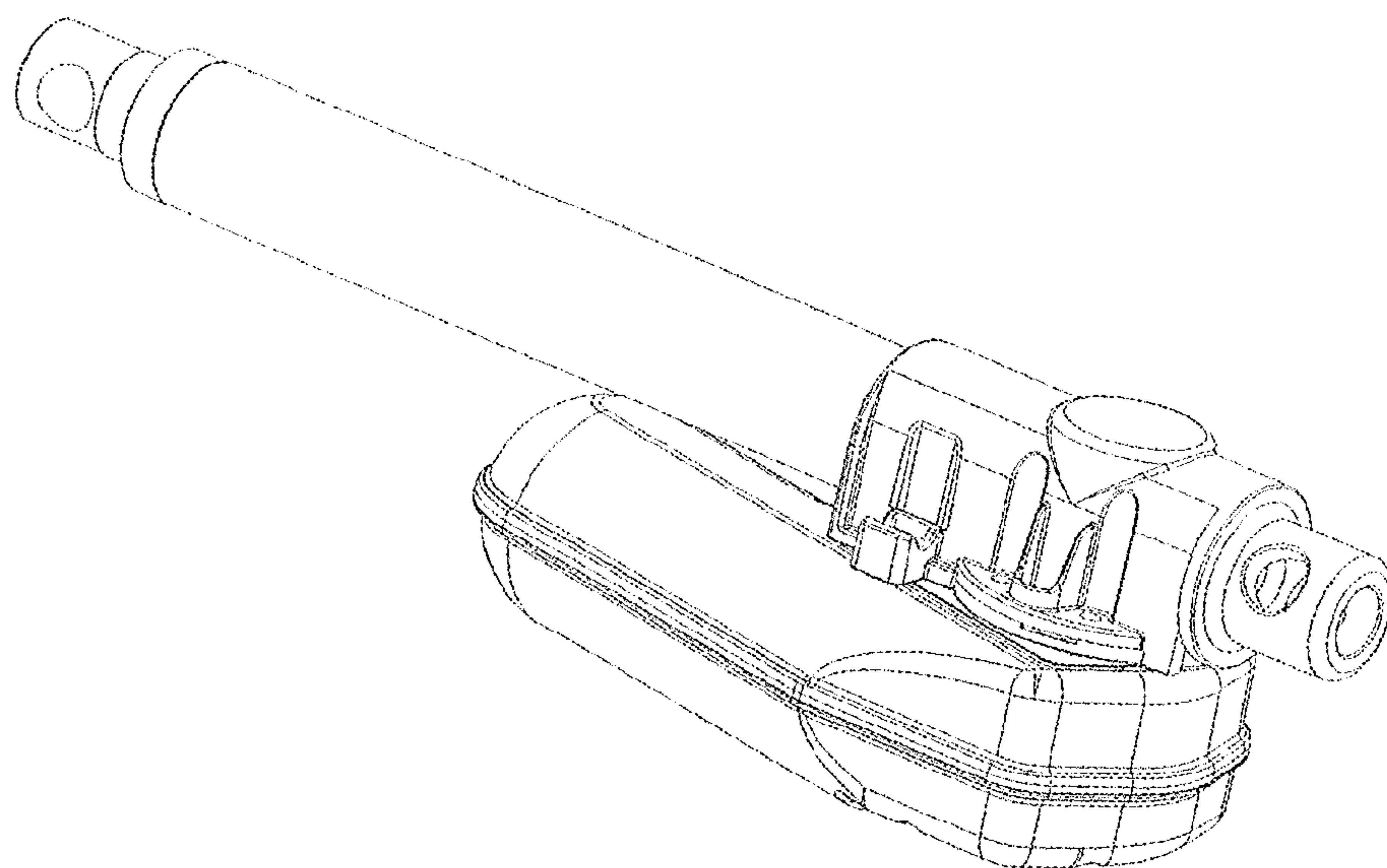


Fig. 9

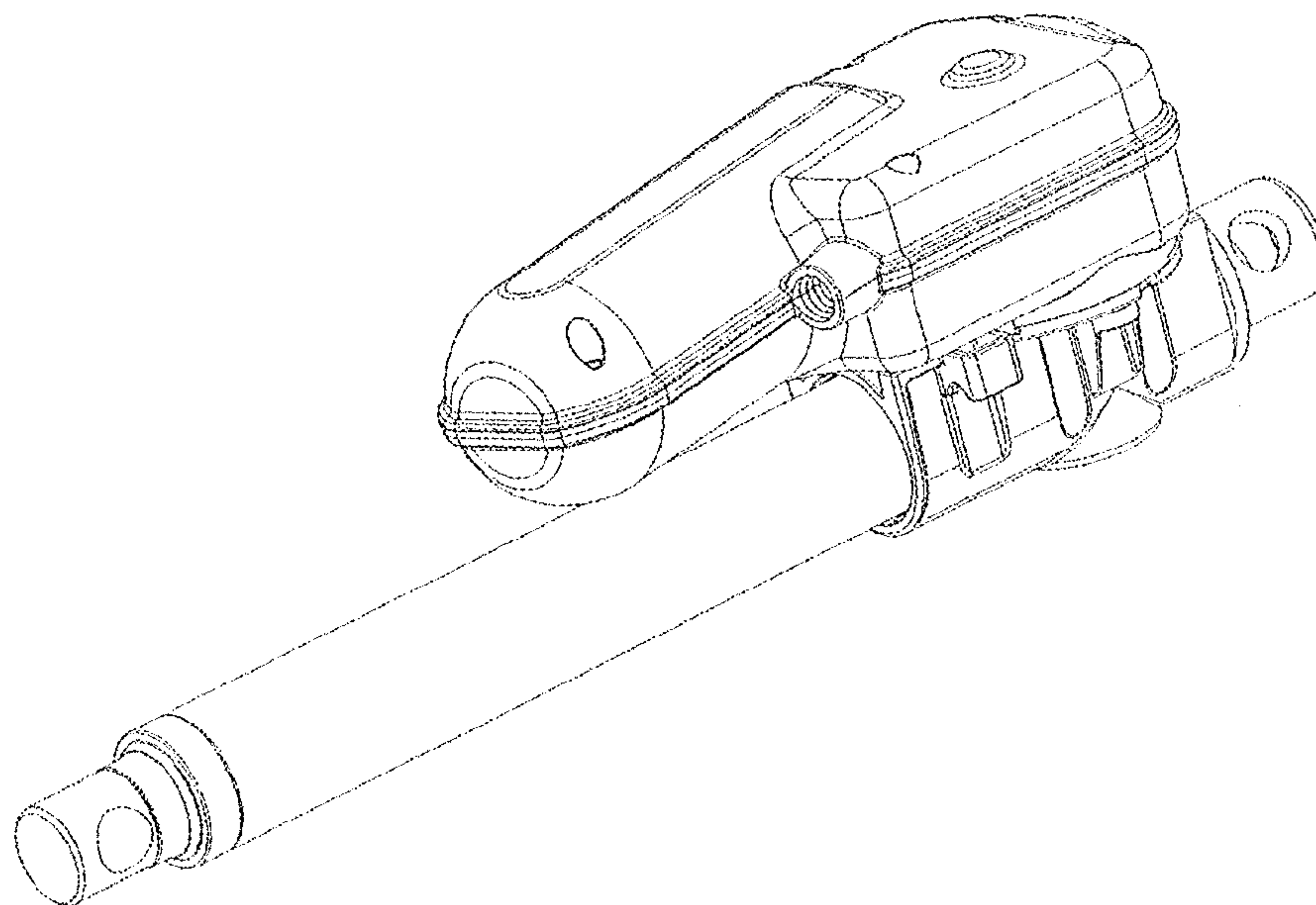


Fig. 10

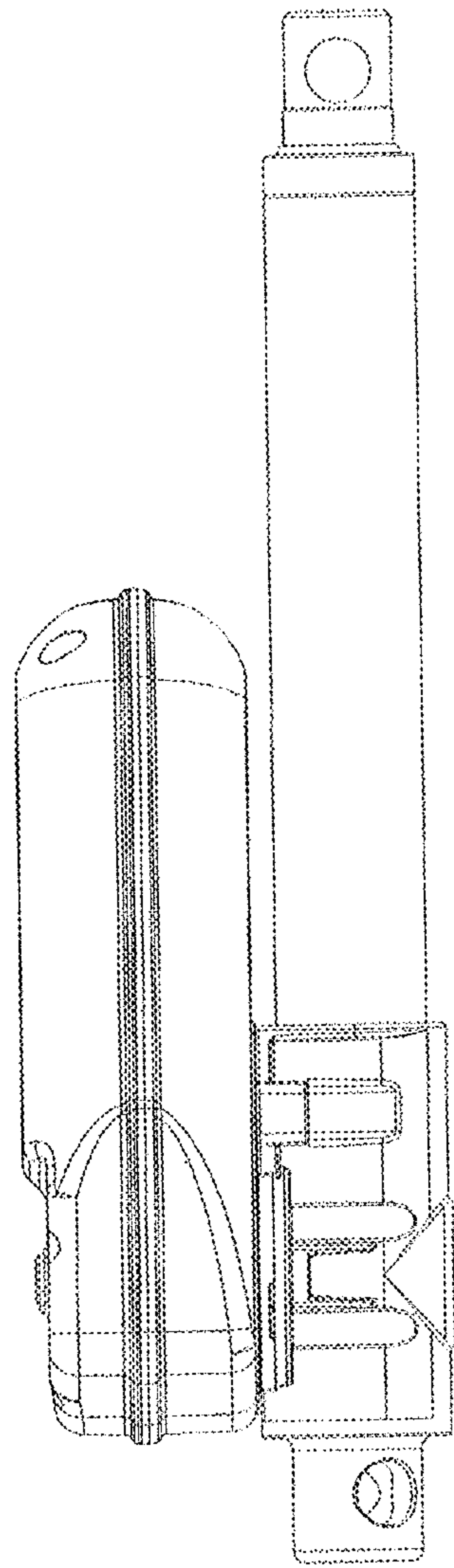


Fig. 12

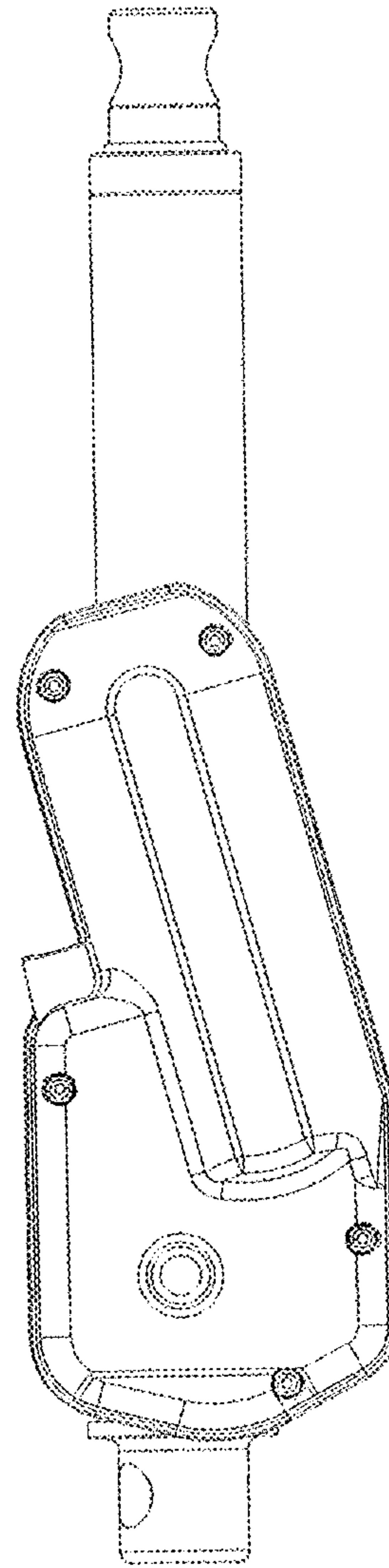


Fig. 11

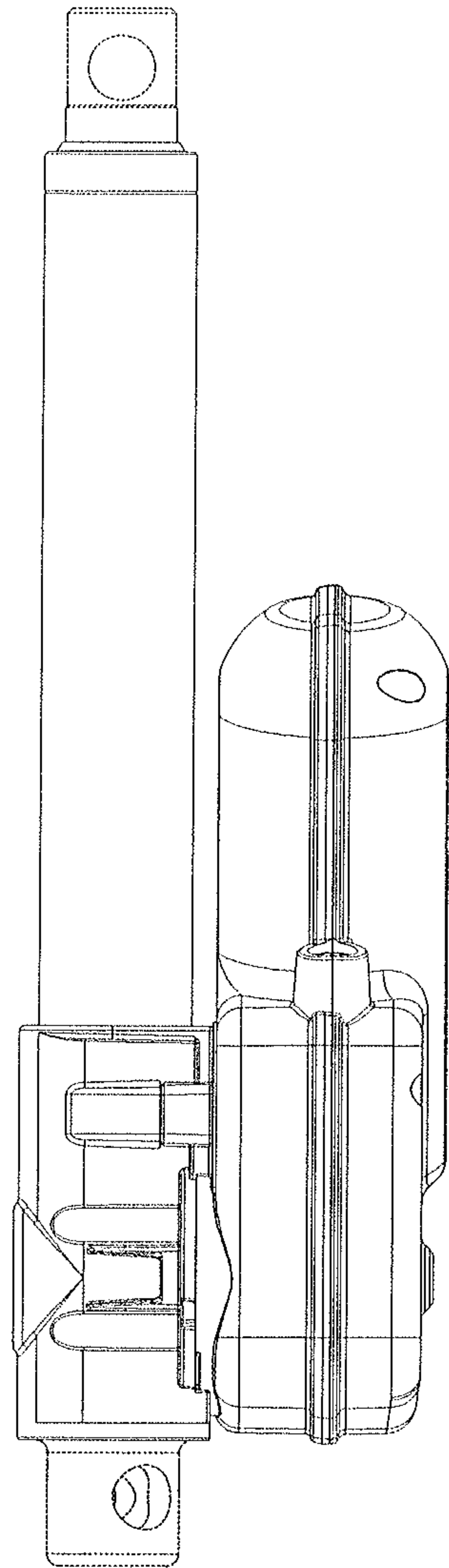


Fig. 14

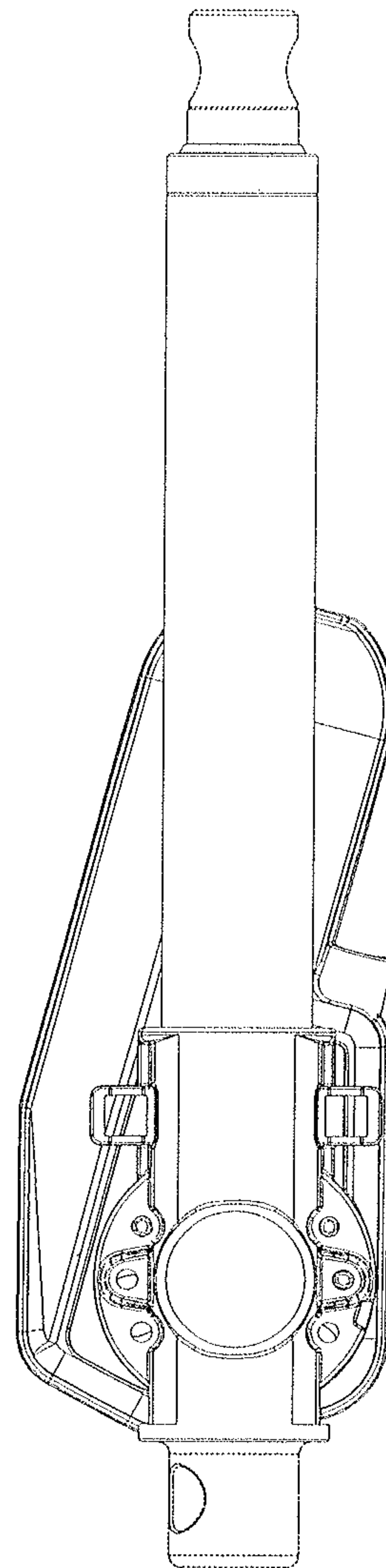


Fig. 13

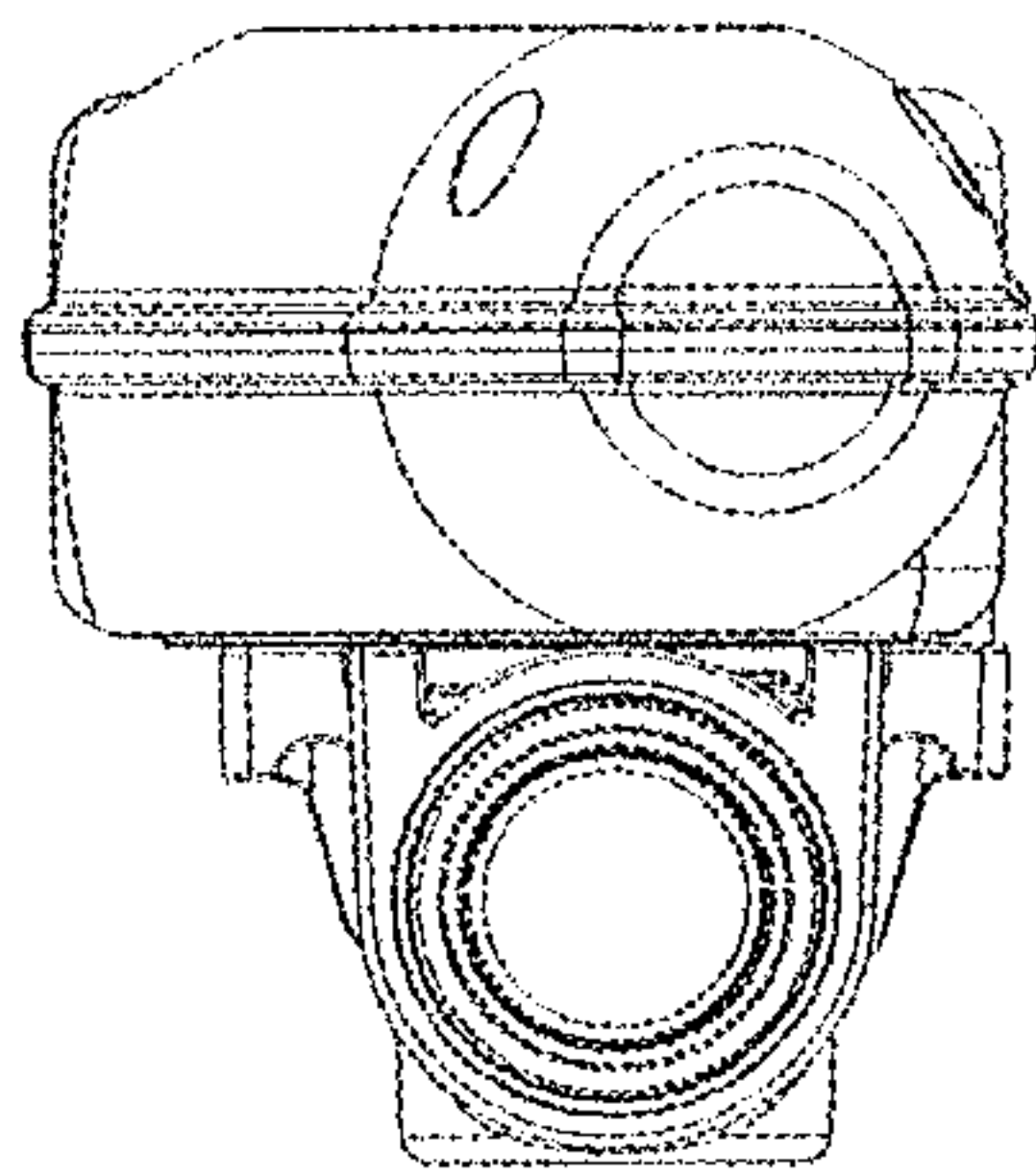


Fig. 15

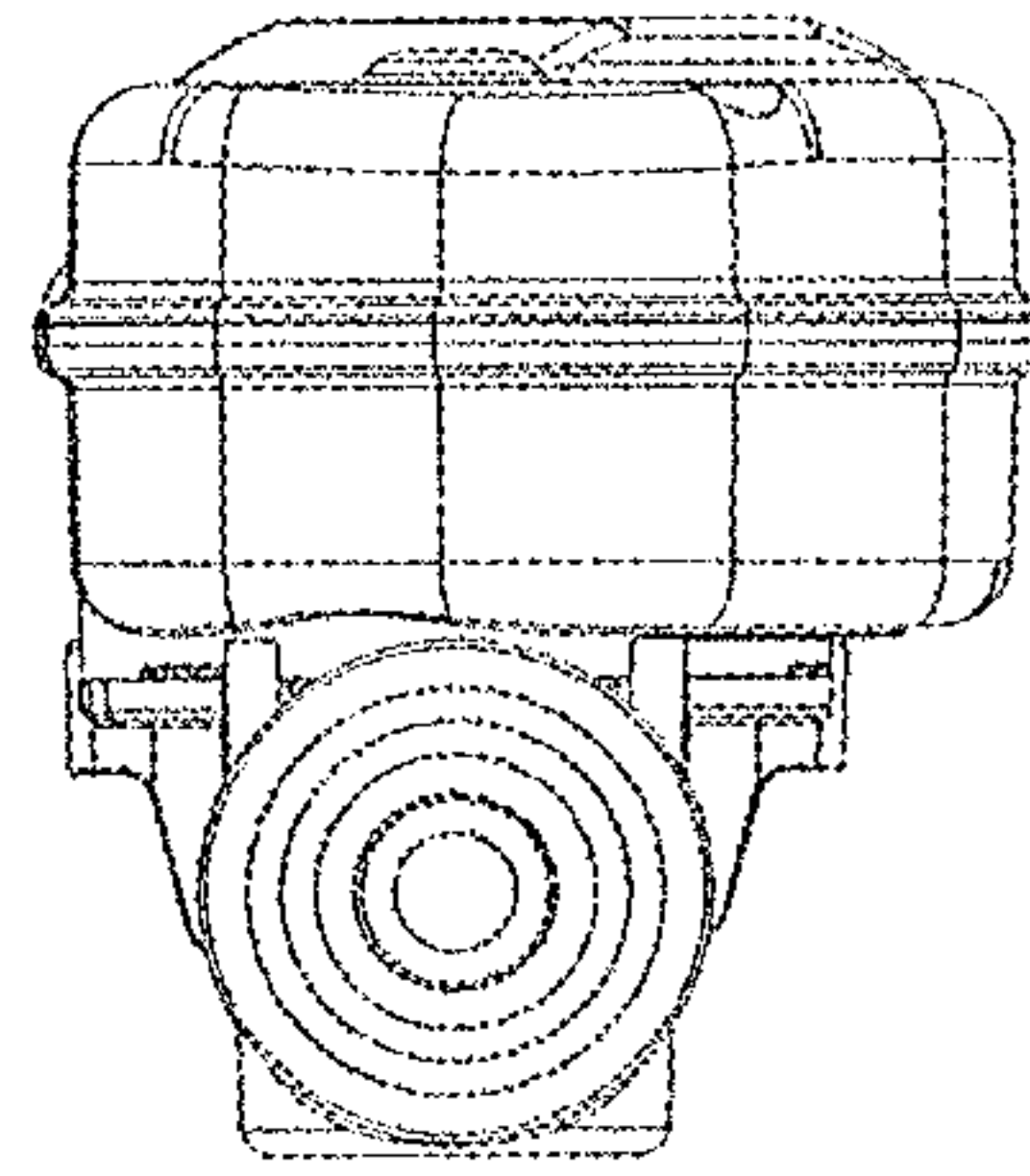


Fig. 16

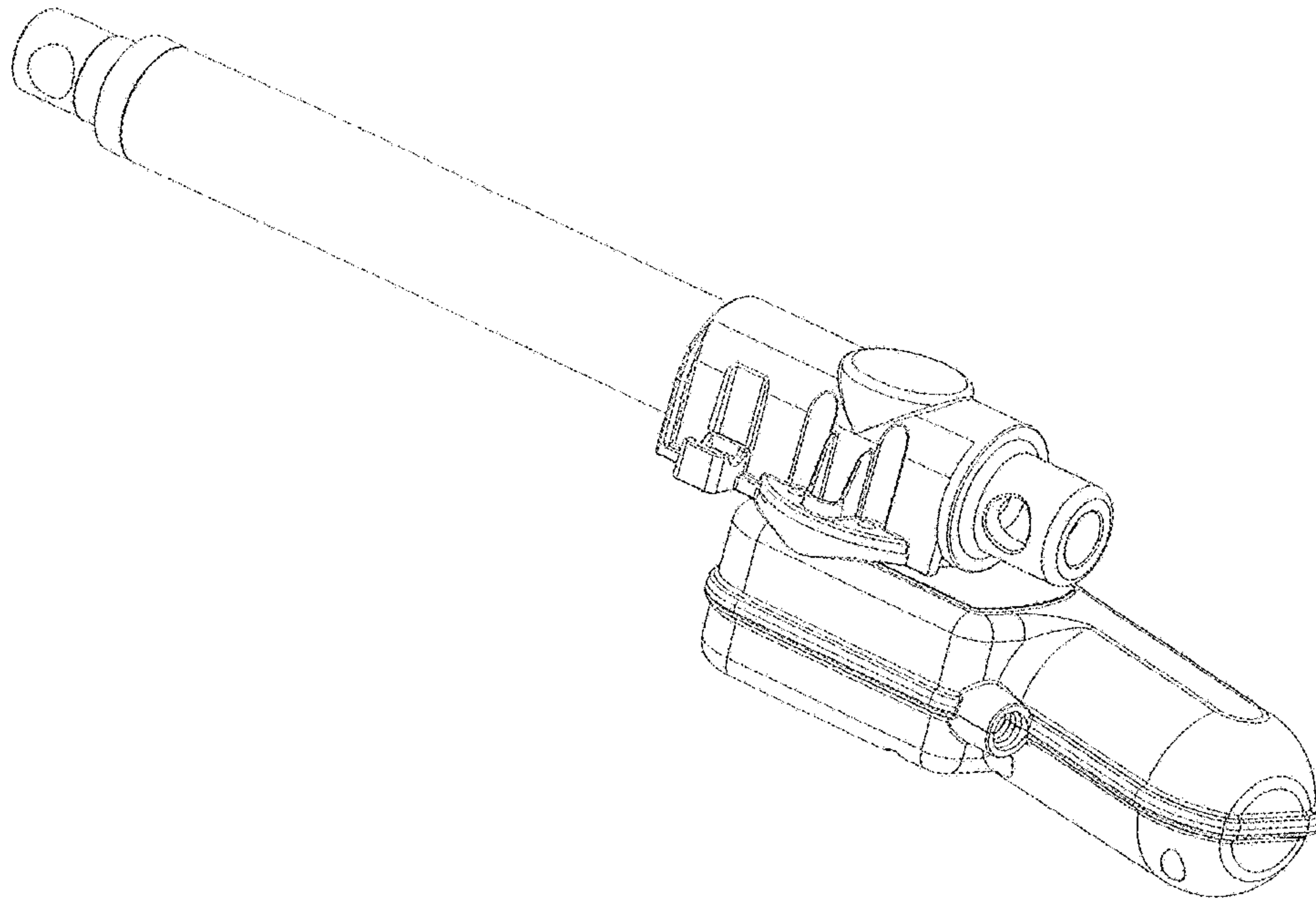


Fig. 17

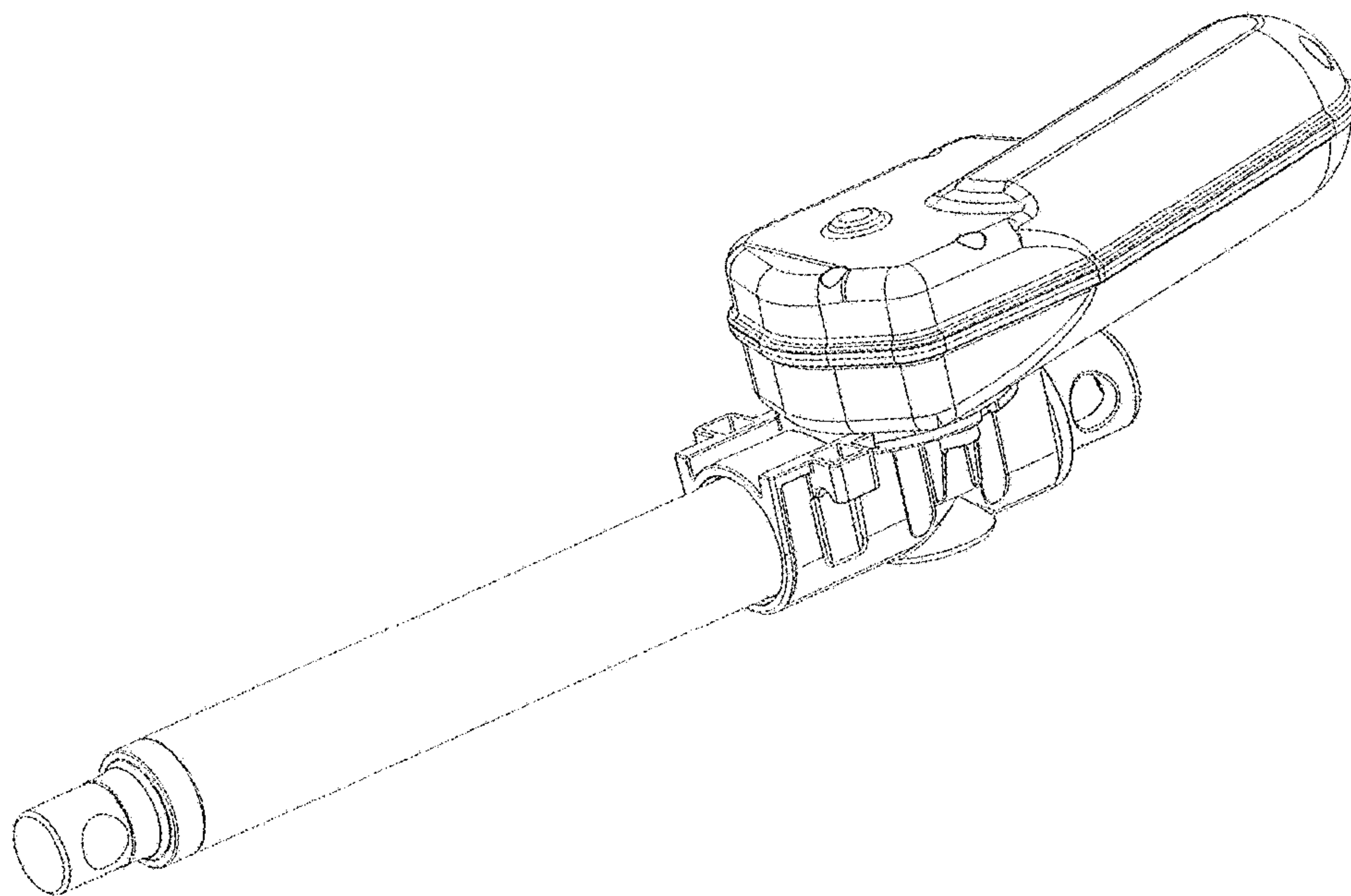


Fig. 18

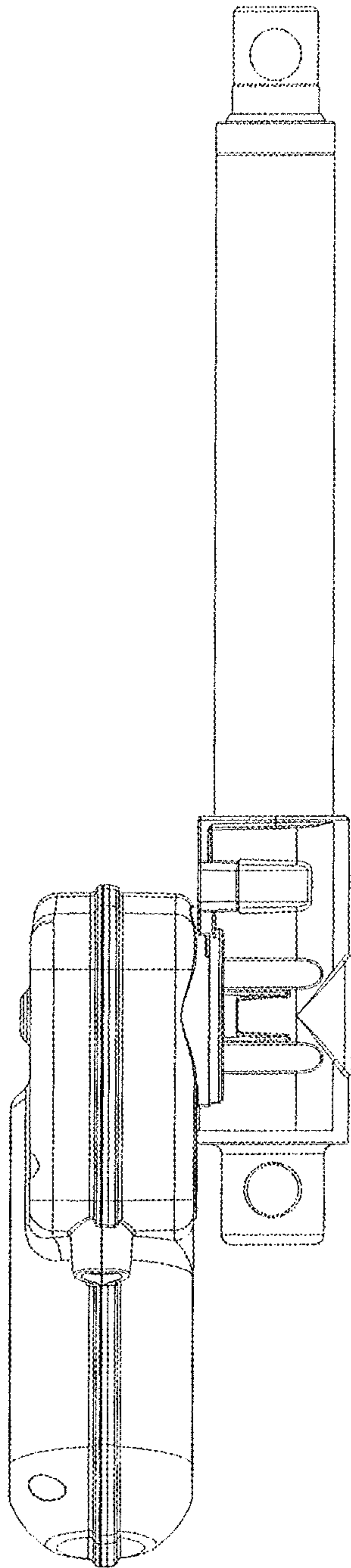


Fig. 20

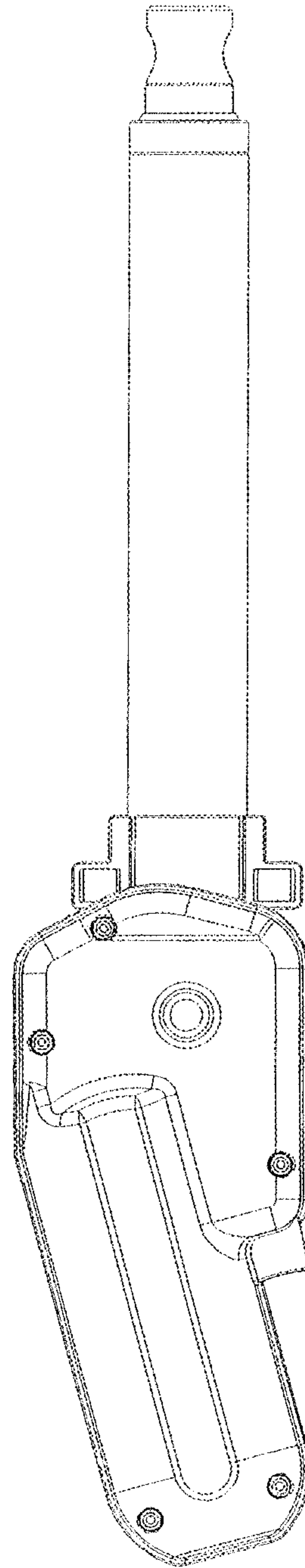


Fig. 19

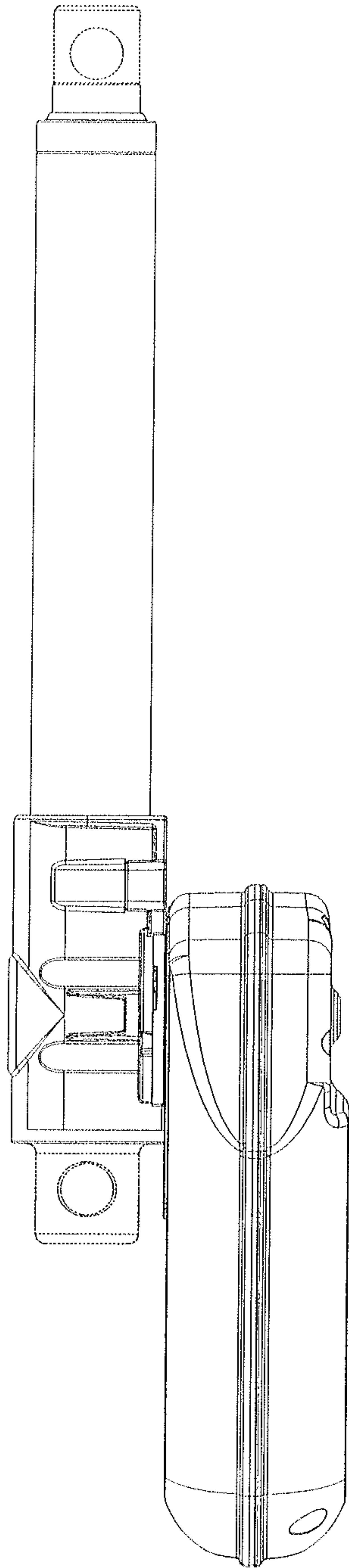


Fig. 22

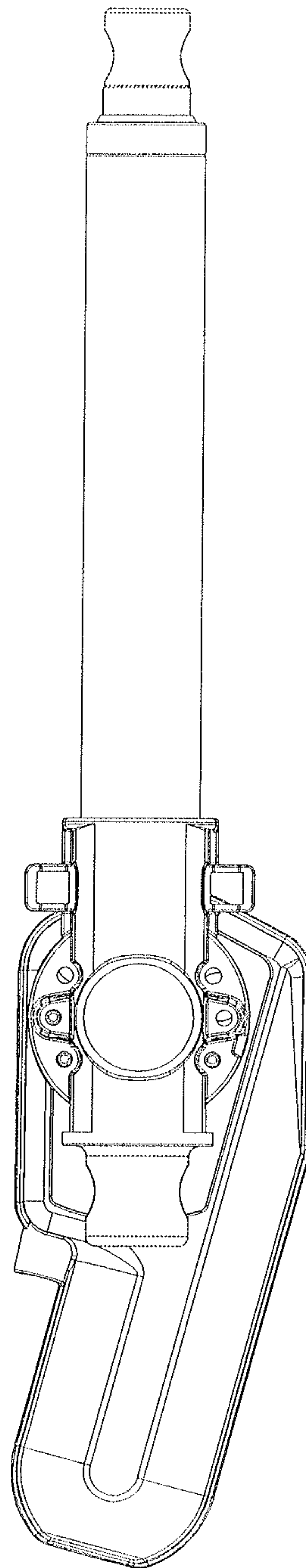


Fig. 21

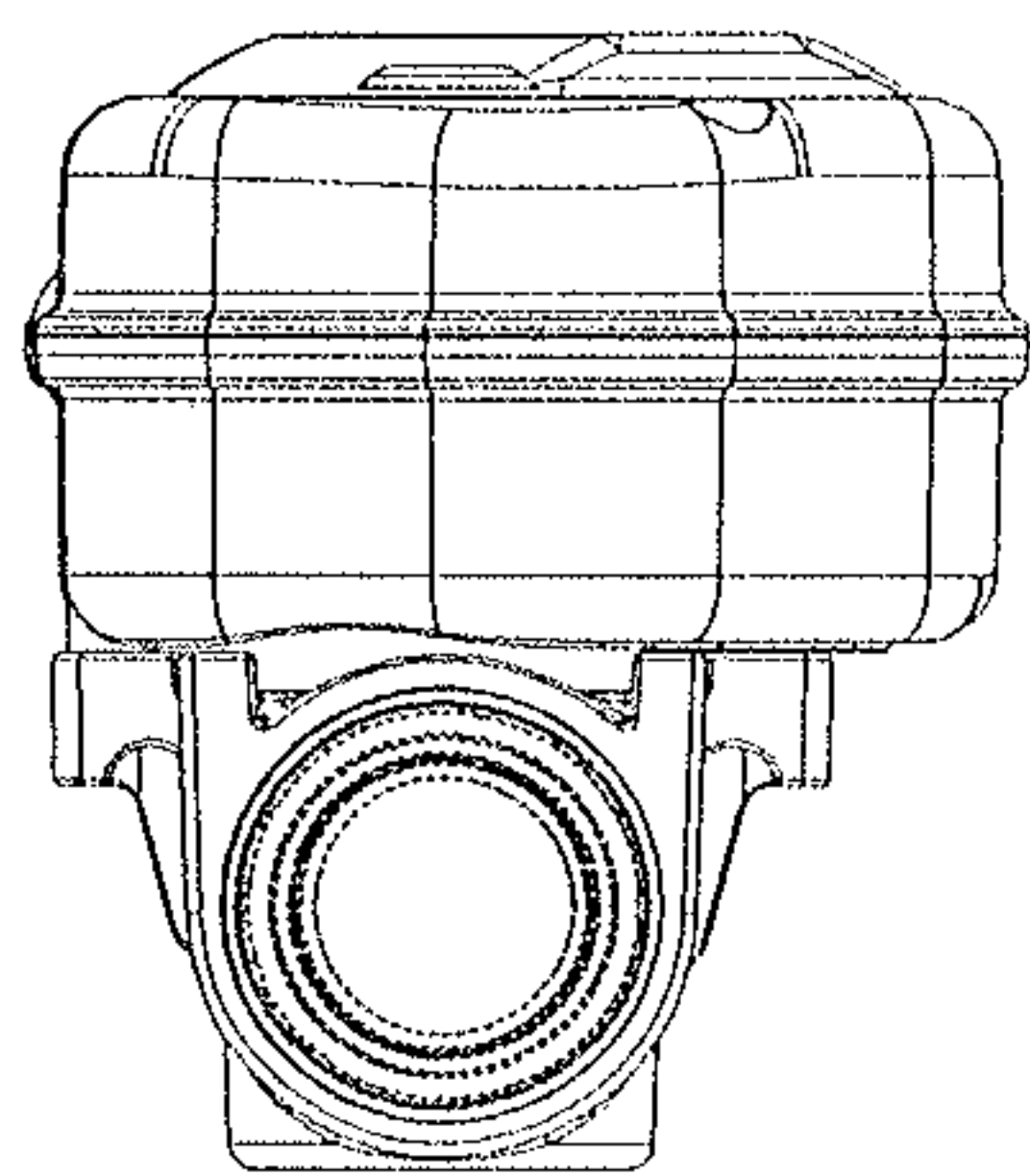


Fig. 23

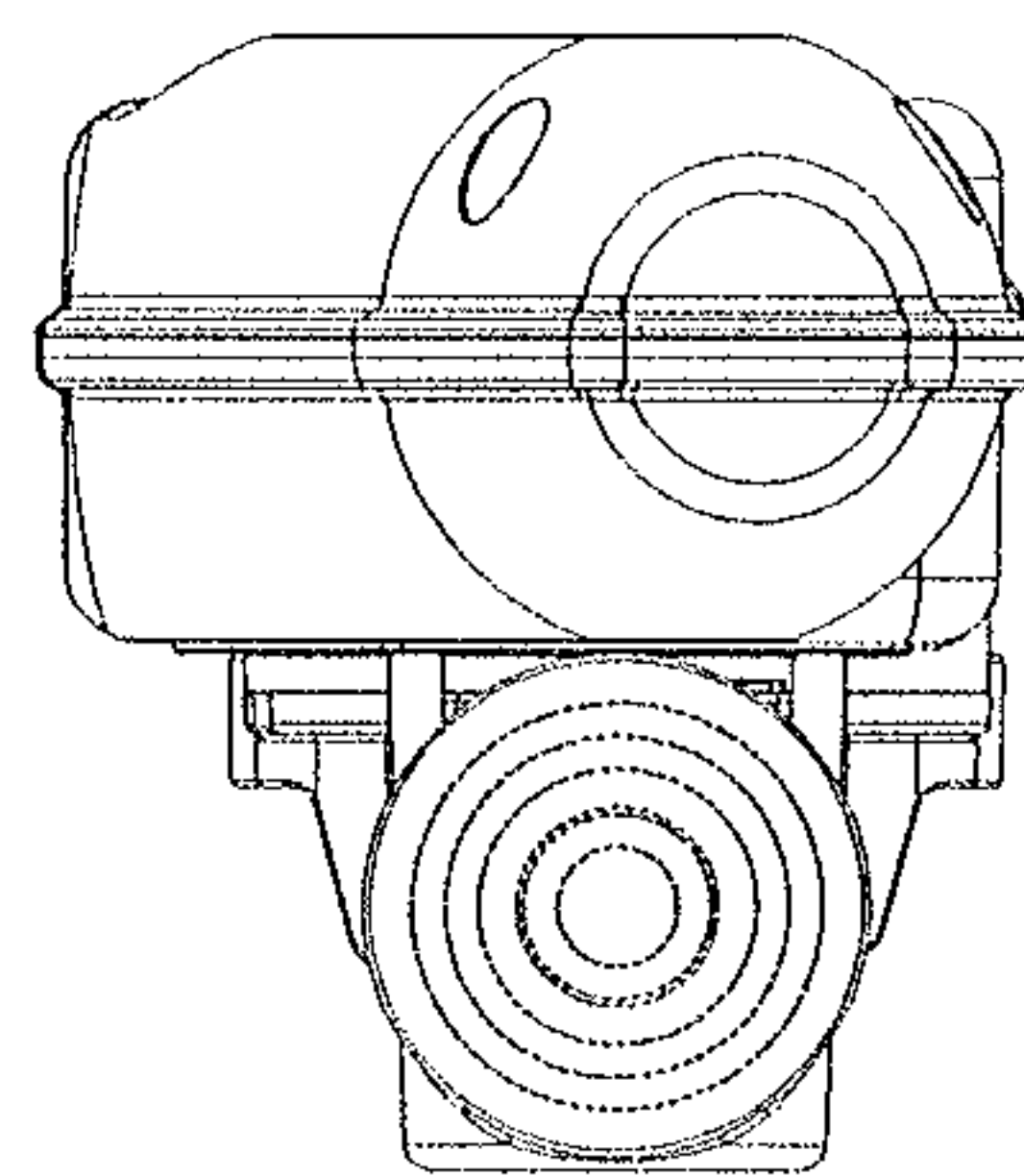


Fig. 24