



US00D778967S

(12) **United States Design Patent** (10) **Patent No.:** **US D778,967 S**
Reese (45) **Date of Patent:** **** Feb. 14, 2017**

(54) **STEP SHANK TOOTH HOLDER** 5,131,305 A * 7/1992 MacLennan B23D 61/065
83/840
(71) Applicant: **Pengo Corporation**, Laurens, IA (US) 5,211,212 A * 5/1993 Carlson A01G 23/091
144/241
(72) Inventor: **Justin Reese**, Laurens, IA (US) 5,273,343 A * 12/1993 Ojanen E21C 35/197
299/10
(73) Assignee: **PENGO CORPORATION**, Laurens, IA (US) 5,303,984 A * 4/1994 Ojanen E21C 35/197
299/106
D381,027 S * 7/1997 Mihic D15/139
5,733,073 A * 3/1998 Zitzlaff B23B 27/16
407/102

(**) Term: **15 Years**

(21) Appl. No.: **29/531,494**

(22) Filed: **Jun. 26, 2015**

(51) **LOC (10) Cl.** **15-09**

(52) **U.S. Cl.**
USPC **D15/140**

(58) **Field of Classification Search**
USPC D8/70, 71; D15/138, 139, 140
See application file for complete search history.

(56) **References Cited**

U.S. PATENT DOCUMENTS

2,805,496 A * 9/1957 Jordan E02F 9/2866
37/456
3,024,856 A 11/1957 Henning
3,073,582 A * 1/1963 Delli-Gatti, Jr. E21C 35/19
299/109
3,285,668 A 11/1963 Fearon
3,496,657 A 1/1967 Sturgeon
3,318,401 A * 5/1967 Carbert E02F 9/2841
175/413
3,818,561 A * 6/1974 Montana B23C 5/2265
144/241
D232,761 S * 9/1974 Lanese D15/130
4,342,486 A * 8/1982 O'Neill B28D 1/188
299/106

(Continued)

Primary Examiner — Patricia Palasik

(74) *Attorney, Agent, or Firm* — Nyemaster Goode, P.C.

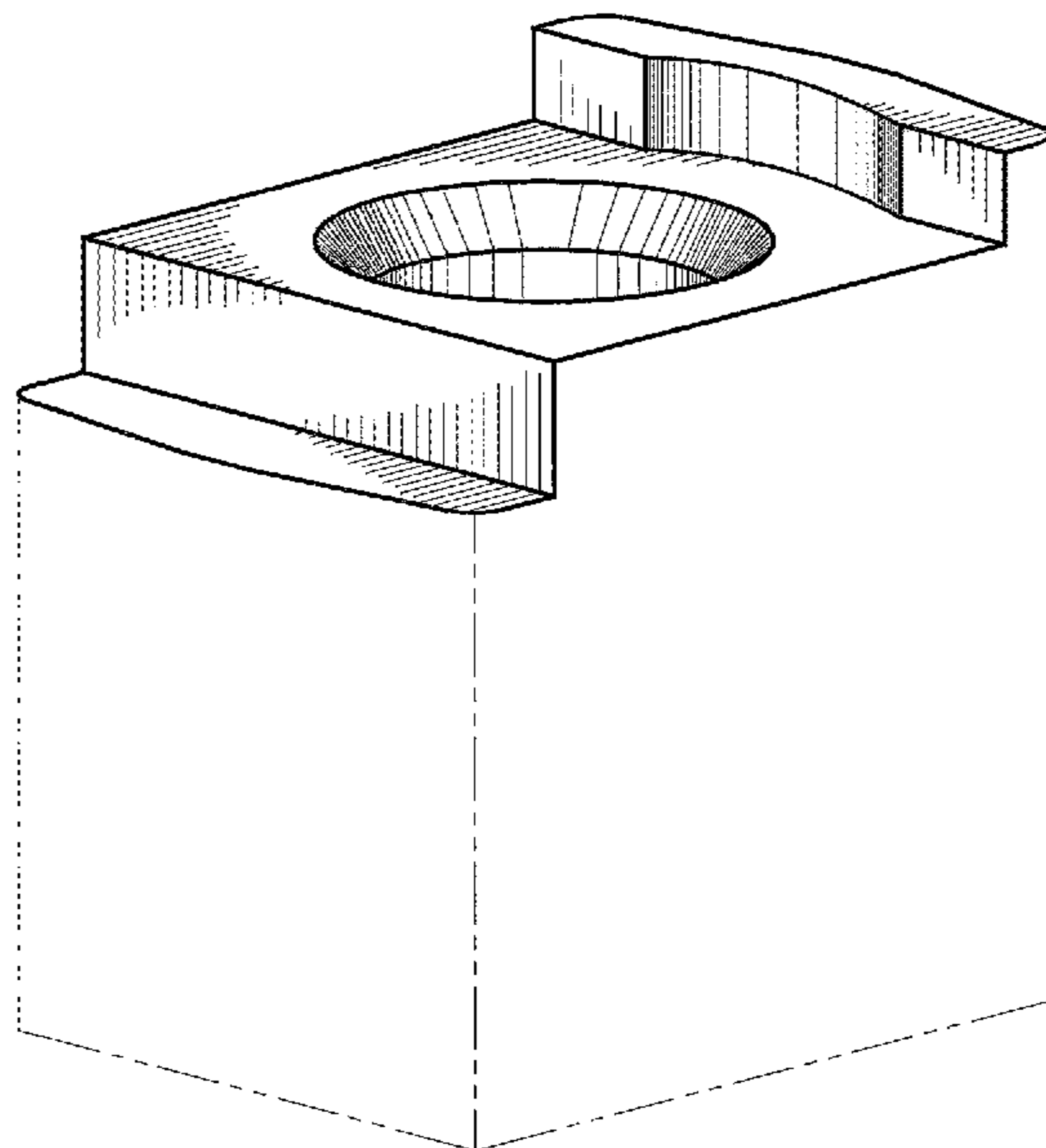
(57) **CLAIM**

The ornamental design for a step shank tooth holder, as shown and described.

DESCRIPTION

FIG. 1 is a perspective view of the tooth holder;
FIG. 2 is a top plan view of the tooth holder;
FIG. 3 is a front elevational view of the tooth holder;
FIG. 4 is a first side elevational view of the tooth holder;
FIG. 5 is a second side elevational view of the tooth holder;
FIG. 6 is a perspective view of the tooth holder showing an exemplary first tooth secured thereto;
FIG. 7 is a perspective view of the tooth holder showing an exemplary second tooth secured thereto; and,
FIG. 8 is a perspective view of the tooth holder showing an exemplary third tooth secured thereto.
The broken lines in the drawings depict unclaimed environmental subject matter.

1 Claim, 8 Drawing Sheets



(56)

References Cited

U.S. PATENT DOCUMENTS

6,018,856 A *	2/2000	Ehrhart	B25B 27/20	29/235	2006/0261663 A1 *	11/2006	Sollami	E21C 35/197	299/104
D448,780 S *	10/2001	Rautio	D15/139		2007/0193428 A1 *	8/2007	MacLennan	B23D 61/065	83/840
6,364,420 B1 *	4/2002	Sollami	B28D 1/188		2009/0085396 A1 *	4/2009	Chiang	B28D 1/188	299/102
6,481,803 B2 *	11/2002	Ritchey	E21C 35/193		2012/0019044 A1 *	1/2012	Monyak	E02F 9/2816	299/10
7,001,115 B2 *	2/2006	Erickson	B23B 27/1614	407/103	2012/0119563 A1 *	5/2012	Parrott	E21C 35/197	299/81.3
D525,635 S	7/2006	East				2012/0223568 A1 *	9/2012	Sulosky	E21C 35/197	299/29
D534,934 S *	1/2007	Bernhardt	D15/140		2013/0270891 A1 *	10/2013	Lehnert	E21C 35/18	299/104
7,713,006 B2 *	5/2010	MacLennan	B23C 5/207	407/113	2015/0076894 A1 *	3/2015	Voitic	E21C 35/18	299/79.1
D704,755 S *	5/2014	Tempel	D15/140		2016/0003041 A1 *	1/2016	Fader	E21C 35/197	299/113
2004/0151551 A1 *	8/2004	Oettle	B23B 29/043	407/117						
2005/0127742 A1 *	6/2005	Erickson	E21C 35/1933	299/106						

* cited by examiner

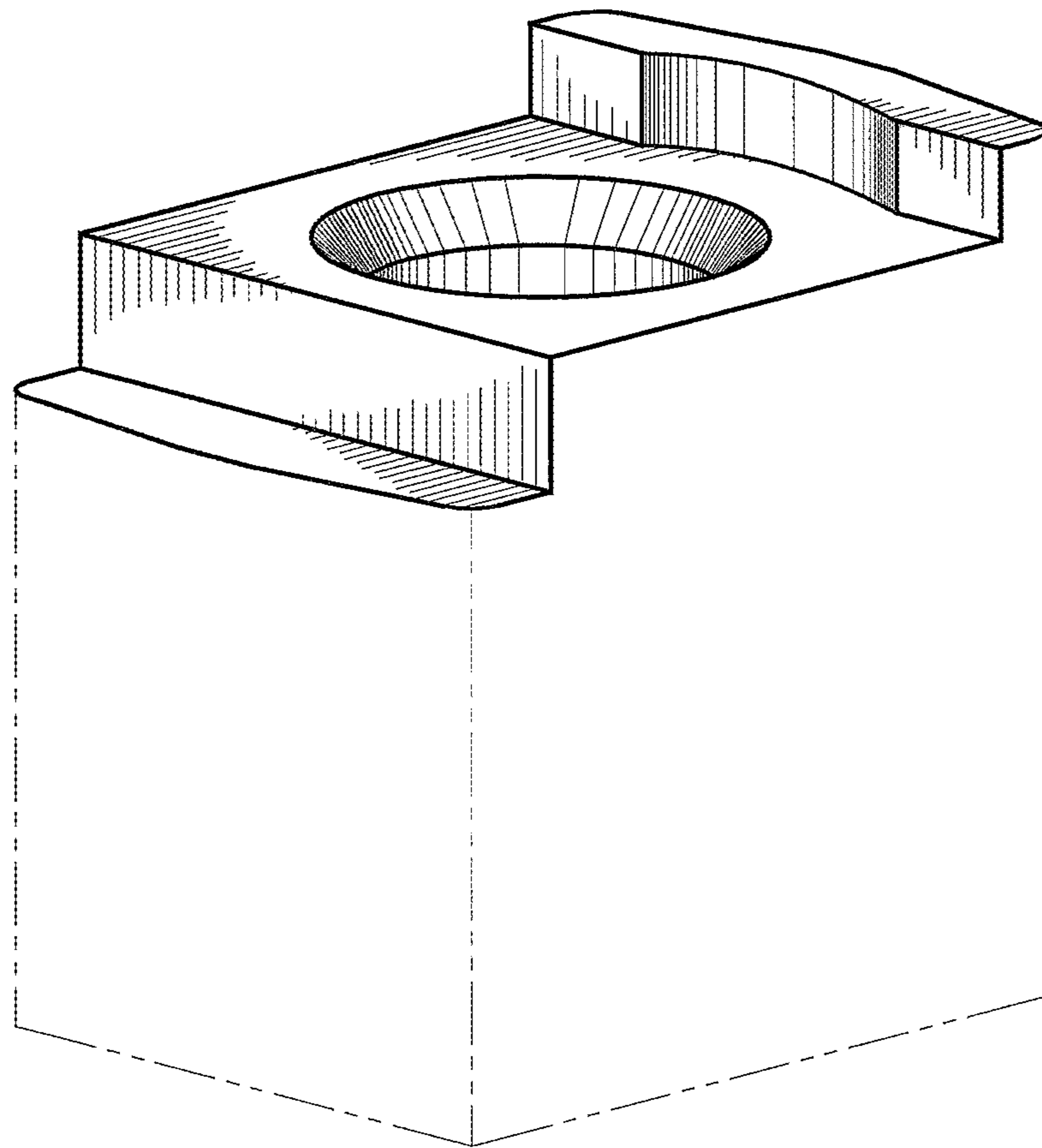


FIG. 1

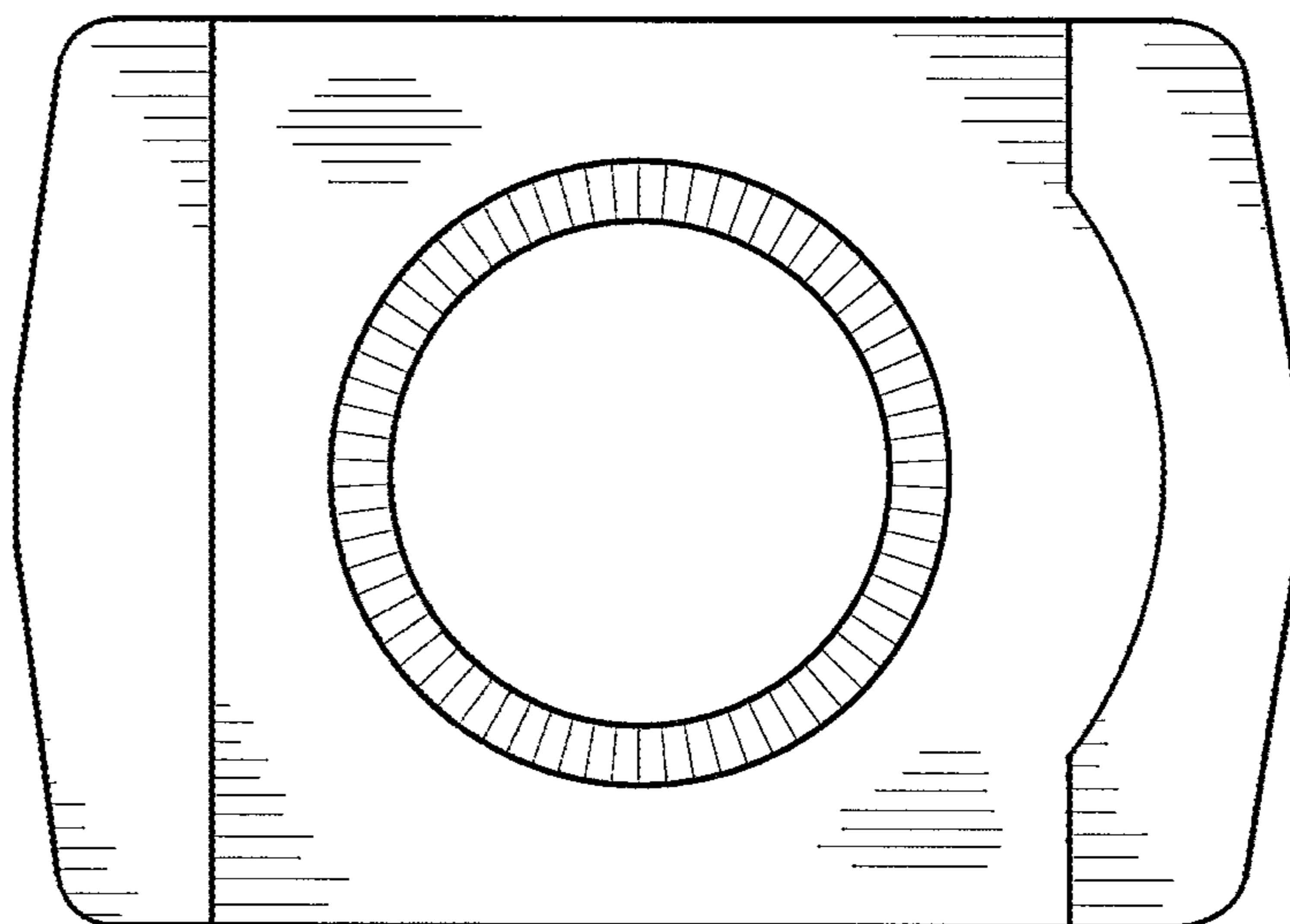


FIG. 2

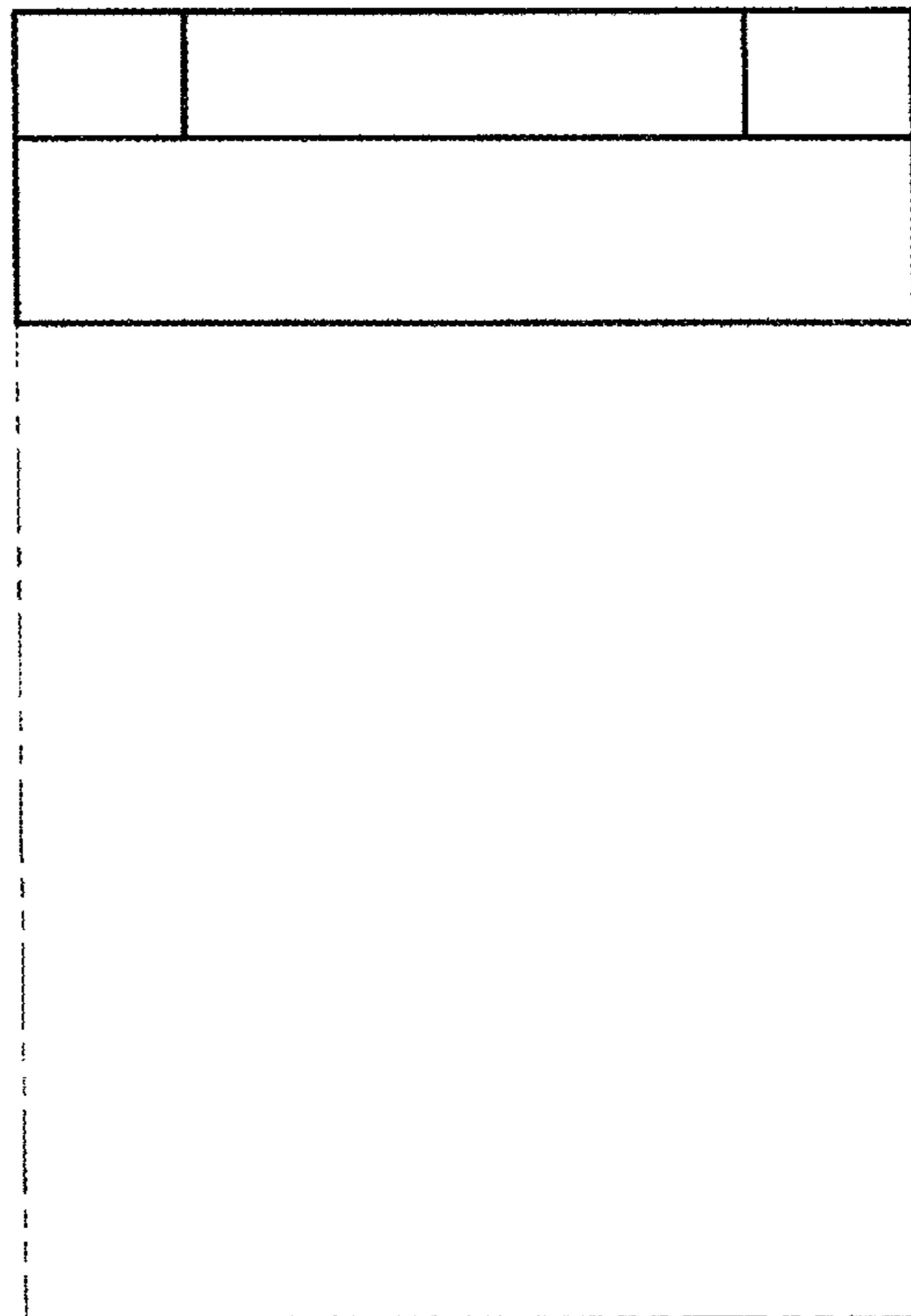


FIG. 3

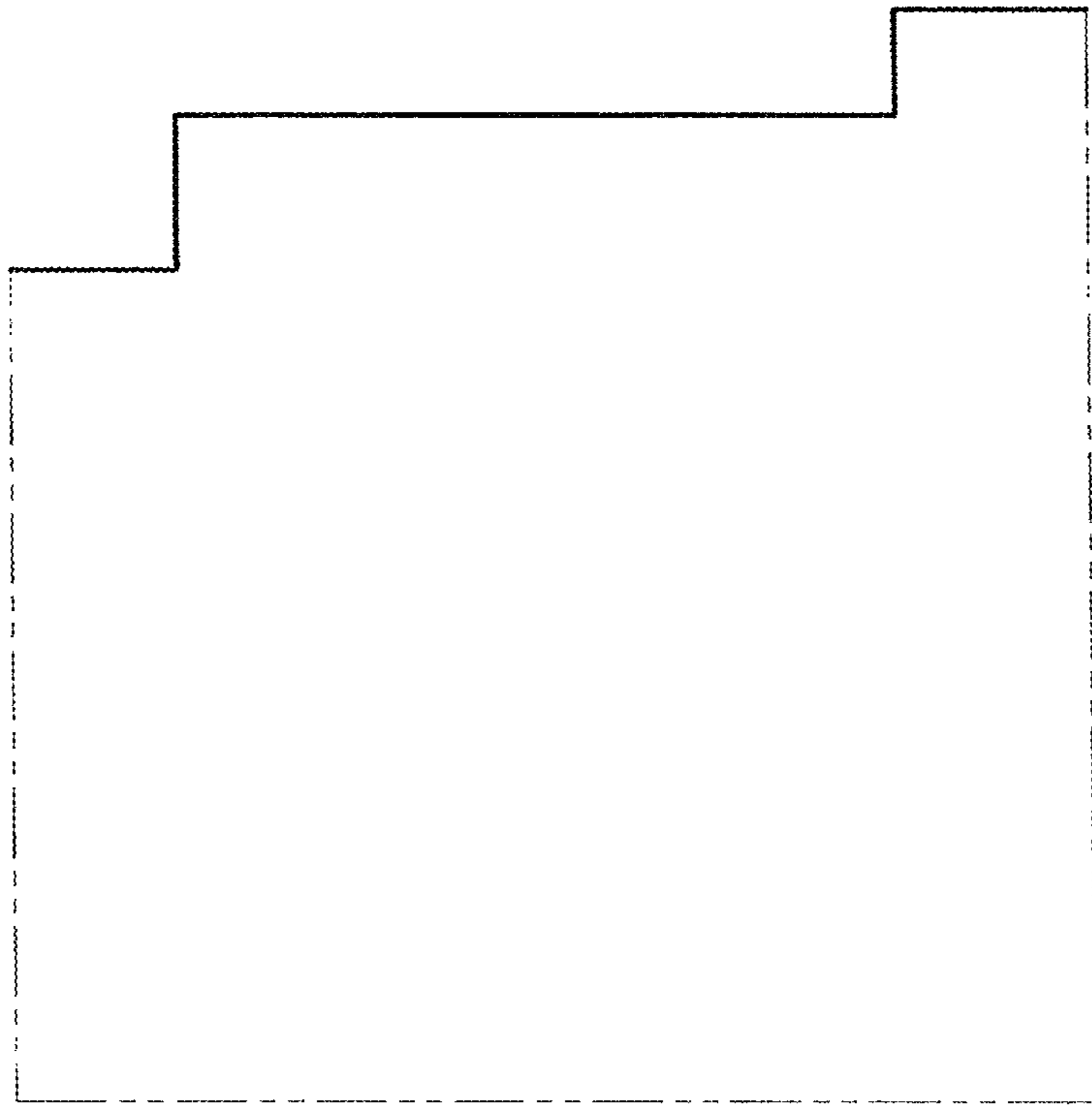


FIG. 4



FIG. 5

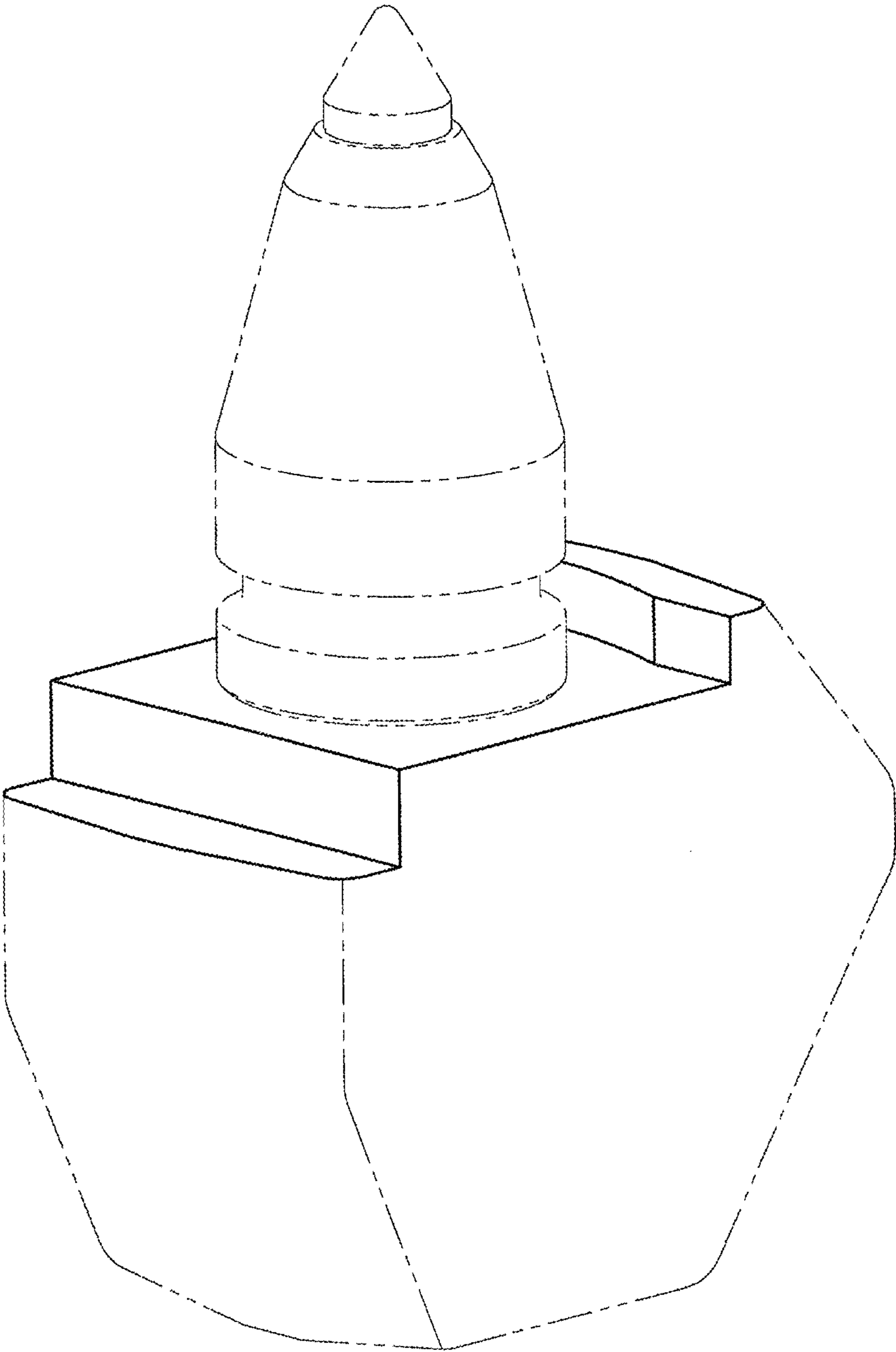


FIG. 6

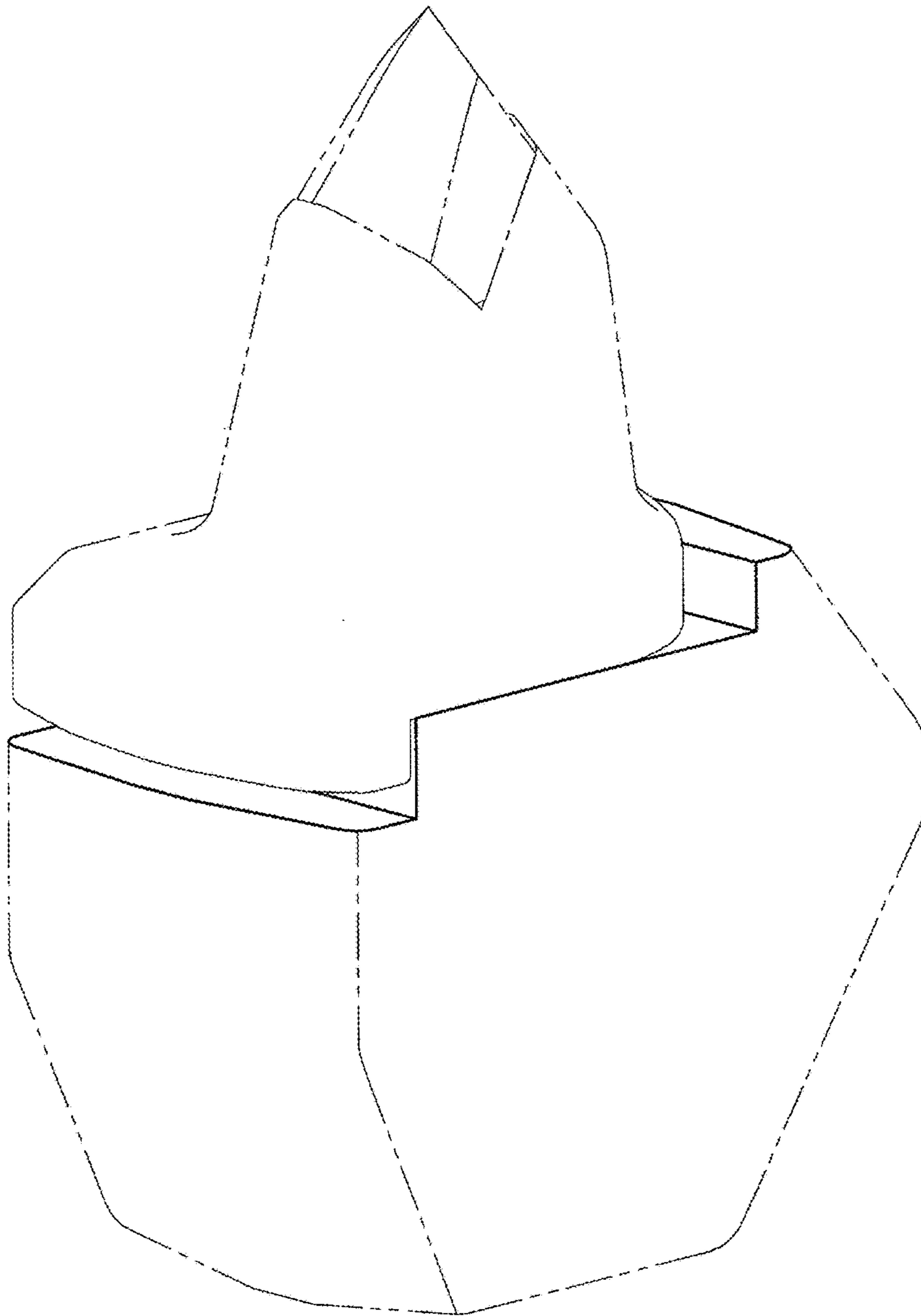


FIG. 7

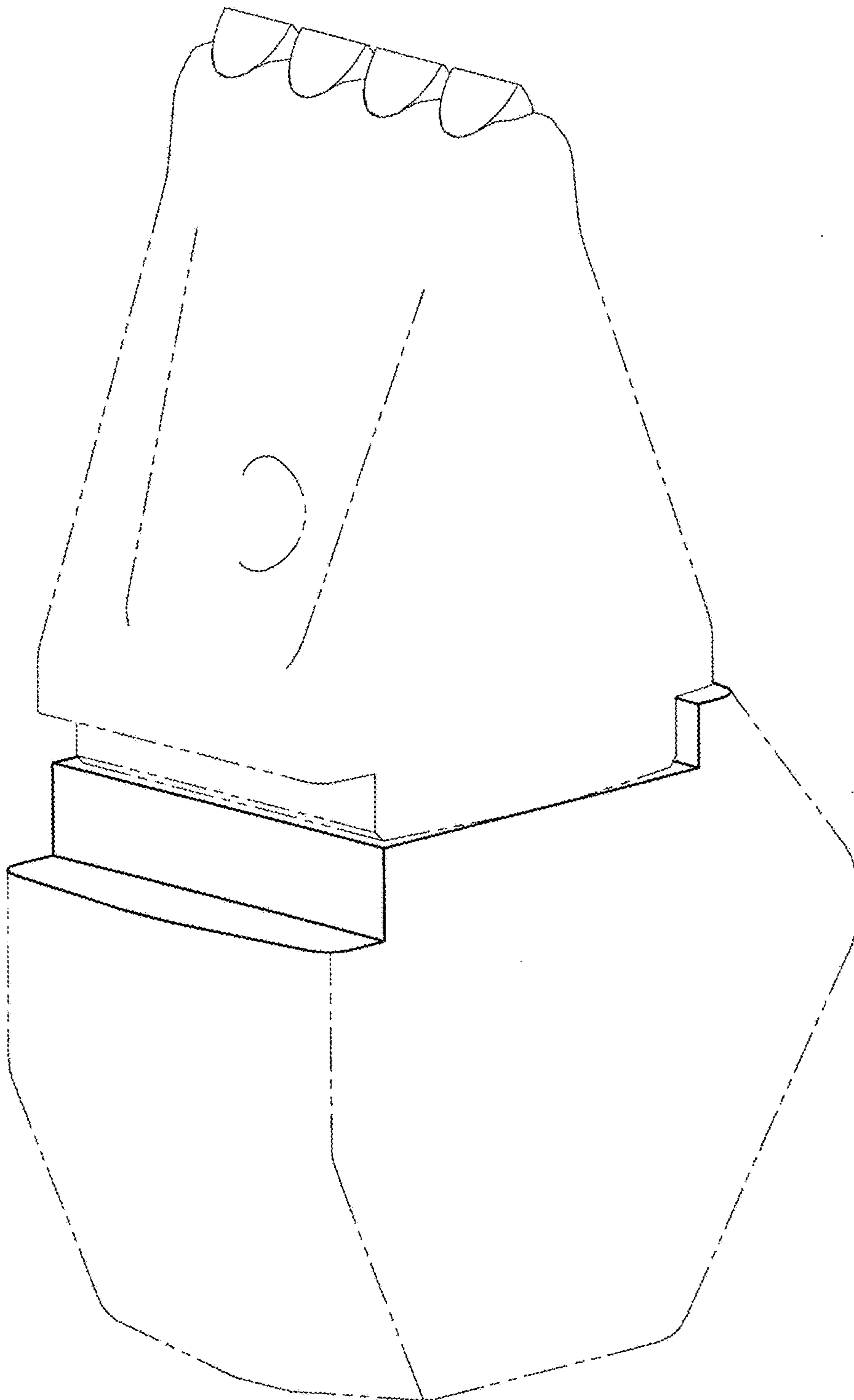


FIG. 8