



US00D778962S

(12) **United States Design Patent**
Higuchi et al.

(10) **Patent No.:** **US D778,962 S**

(45) **Date of Patent:** **** Feb. 14, 2017**

(54) **POWER SHOVEL**

CPC E02F 3/32; E02F 3/76; E02F 3/40;
E02F 9/163

(71) Applicant: **KOBELCO CONSTRUCTION
MACHINERY CO., LTD.,**
Hiroshima-shi, Hiroshima (JP)

See application file for complete search history.

(72) Inventors: **Fumikazu Higuchi**, Hiroshima (JP);
Masaaki Murakami, Hiroshima (JP);
Jumpei Yokota, Hiroshima (JP);
Daisuke Mochizuki, Hiroshima (JP);
Hironori Tsukamoto, Hiroshima (JP);
Tsuyoshi Noda, Hiroshima (JP);
Hiroshi Kanamaru, Hiroshima (JP);
Kaoru Adachi, Hiroshima (JP)

(56) **References Cited**

U.S. PATENT DOCUMENTS

- 3,807,586 A * 4/1974 Holopainen B60P 3/42
180/14.1
- 4,369,989 A * 1/1983 Mankey E02F 9/085
254/422
- D338,019 S * 8/1993 Bhambra D15/25
- D409,629 S * 5/1999 Miyaoka D15/25
- D437,602 S * 2/2001 Hiraoka D15/25
- D460,975 S * 7/2002 Yanagida D15/25
- D462,973 S 9/2002 Tamaru et al.
- D462,974 S 9/2002 Yanagida et al.
- 6,502,896 B1 1/2003 Nakata et al.
- D474,481 S 5/2003 Hara

(Continued)

(73) Assignee: **KOBELCO CONSTRUCTION
MACHINERY CO., LTD.,**
Hiroshima-Shi (JP)

(**) Term: **15 Years**

Primary Examiner — Mark Goodwin

(21) Appl. No.: **29/556,089**

(74) *Attorney, Agent, or Firm* — Birch, Stewart, Kolasch
& Birch, LLP

(22) Filed: **Feb. 26, 2016**

(57) **CLAIM**

The ornamental design for a power shovel, as shown and
described.

Related U.S. Application Data

(62) Division of application No. 29/497,331, filed on Jul.
23, 2014, now Pat. No. Des. 759,127.

DESCRIPTION

(30) **Foreign Application Priority Data**

Jan. 24, 2014 (JP) 2014-001290
Jan. 24, 2014 (JP) 2014-001291

FIG. 1 is a perspective view of a power shovel showing our
new design;

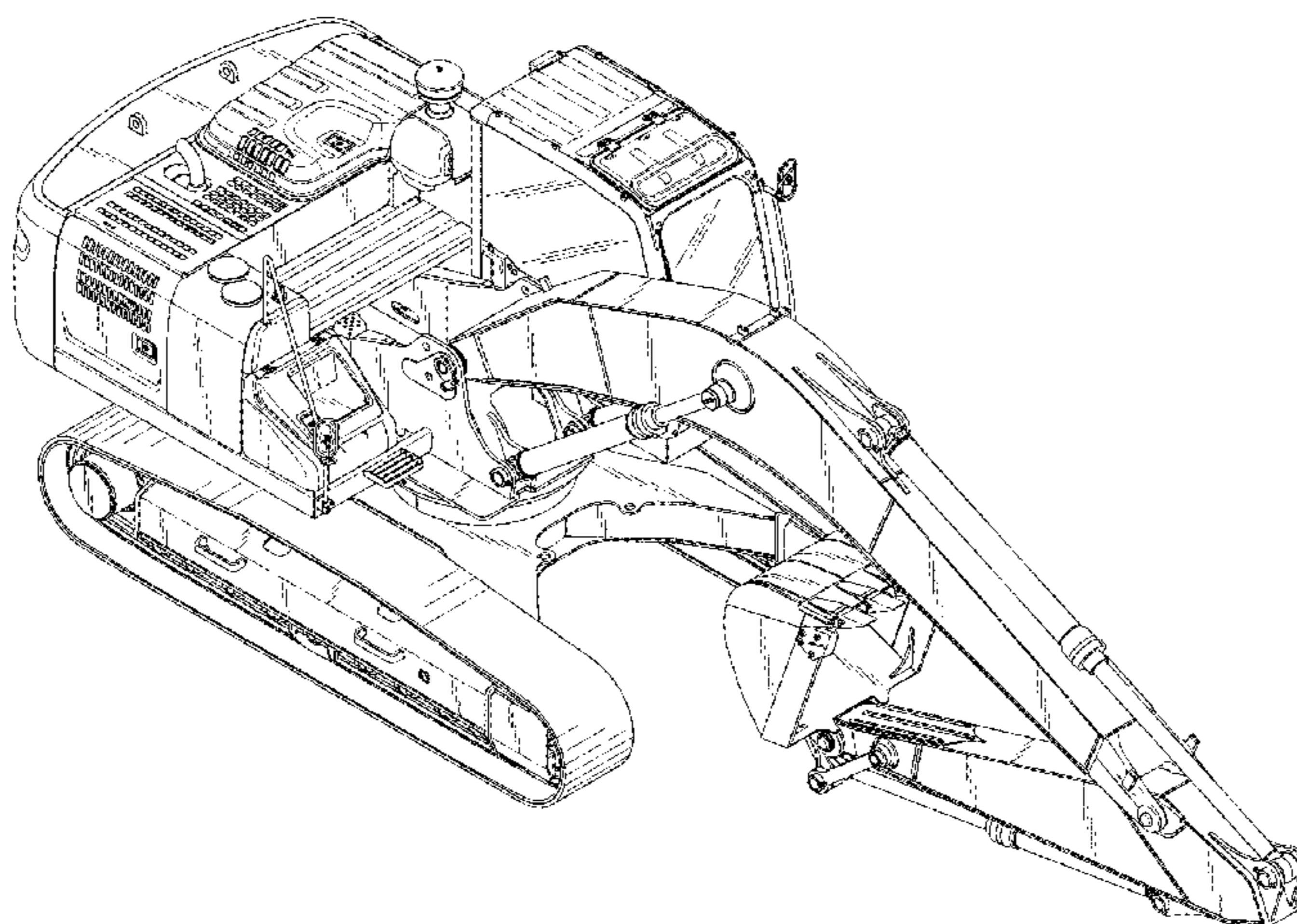
(51) **LOC (10) Cl.** **12-09**

(52) **U.S. Cl.**
USPC **D15/24; D15/25**

FIG. 2 is a second perspective view thereof;
FIG. 3 is a front view thereof;
FIG. 4 is a rear view thereof;
FIG. 5 is a left side view thereof;
FIG. 6 is a right side view thereof;
FIG. 7 is a top view thereof;
FIG. 8 is a bottom view thereof;
FIG. 9 is an enlarged left side view thereof; and,
FIG. 10 is an enlarged right side view thereof.

(58) **Field of Classification Search**
USPC D15/10, 22-26, 28, 30; 180/89.1, 89.12,
180/89.13, 900, 9.1, 9.2, 9.62; 37/379;
414/694, 699, 722-724, 660, 685, 698,
414/719, 743

1 Claim, 9 Drawing Sheets



(56)

References Cited

U.S. PATENT DOCUMENTS

D511,531 S	11/2005	Sewell et al.	
D518,071 S	3/2006	Gwak et al.	
D527,027 S	8/2006	Smith et al.	
D538,304 S	3/2007	Uemura	
D561,785 S	2/2008	Imashige et al.	
D576,180 S	9/2008	Kuwae et al.	
D609,252 S	2/2010	Shimada et al.	
D633,926 S	3/2011	Shimada et al.	
D677,703 S *	3/2013	Hiraoka	D15/25
D678,354 S *	3/2013	Hiraoka	D15/25
D679,734 S	4/2013	Tsukamoto et al.	
D681,066 S *	4/2013	Saito	D15/24
D681,689 S *	5/2013	Saito	D15/24
D684,598 S *	6/2013	Hagura	D15/24
D684,599 S *	6/2013	Saito	D15/24
D684,600 S *	6/2013	Saito	D15/24
D692,028 S *	10/2013	Hiraoka	D15/22
D692,029 S *	10/2013	Hiraoka	D15/22
D695,791 S *	12/2013	Hagura	D15/25
D726,779 S *	4/2015	Higuchi	D15/28
D727,977 S *	4/2015	Higuchi	D15/28
D752,112 S *	3/2016	Hagura	D15/24
D752,113 S *	3/2016	Hagura	D15/24
D752,651 S *	3/2016	Hagura	D15/24
D759,127 S *	6/2016	Higuchi	D15/24

* cited by examiner

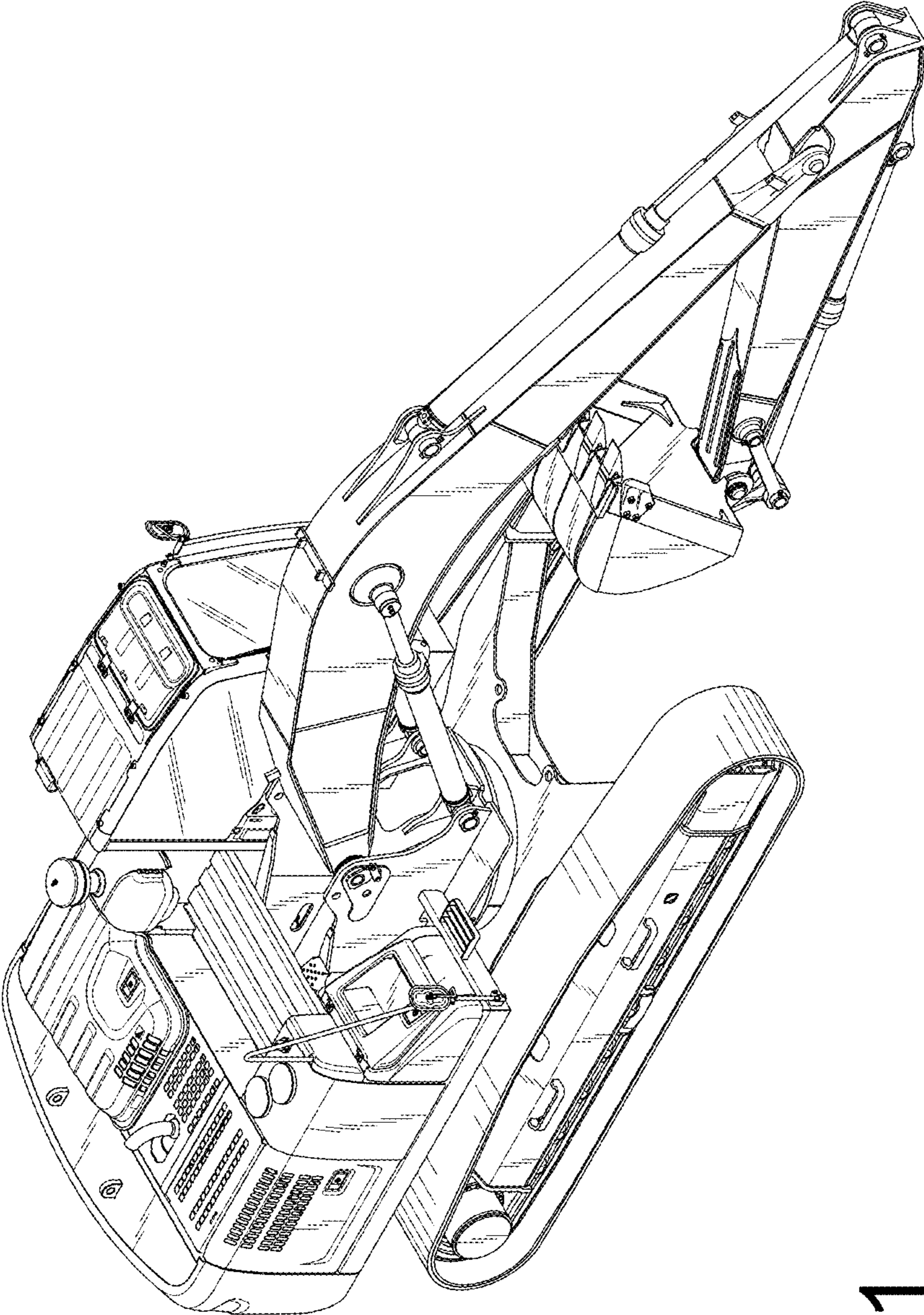


FIG.1

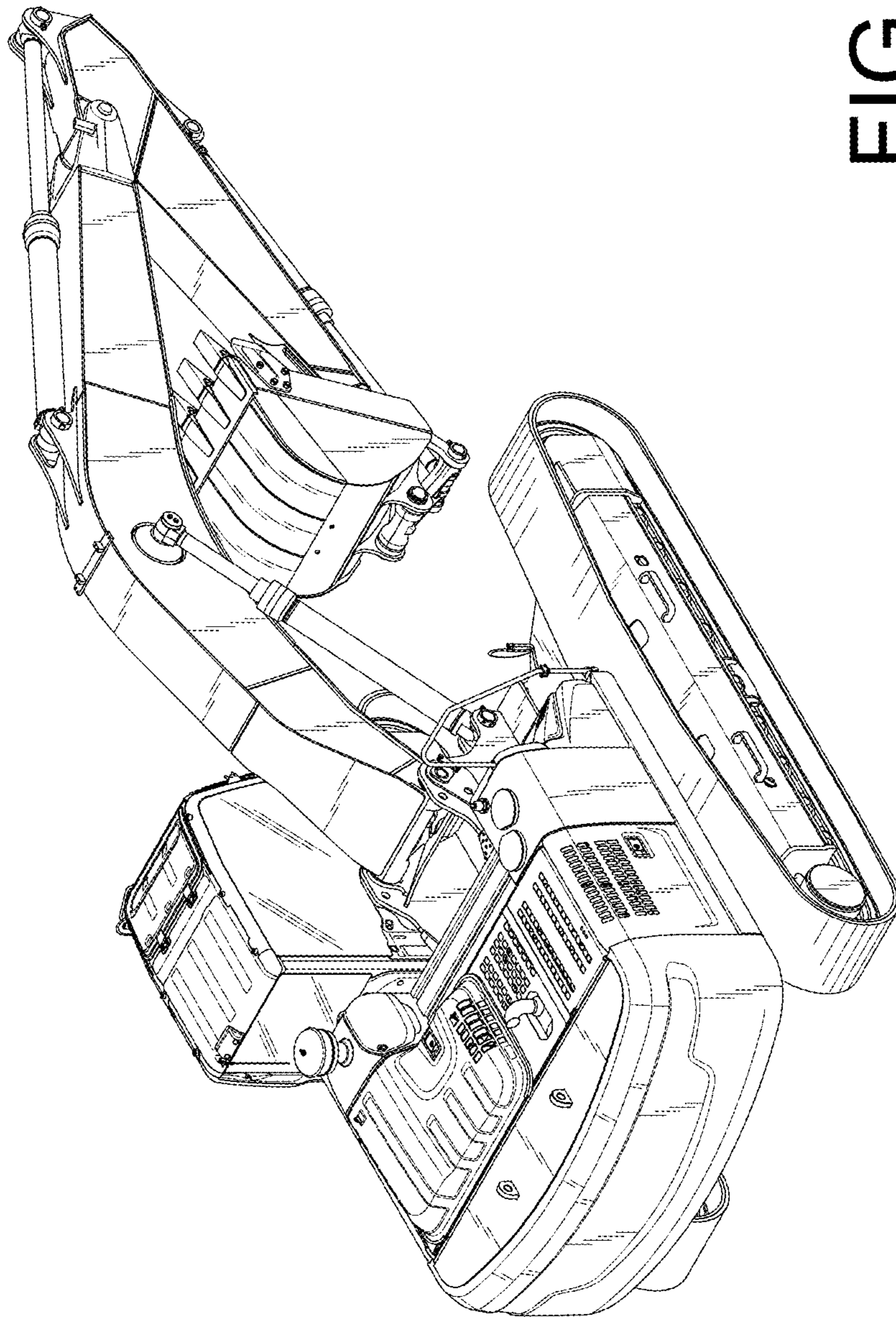


FIG. 2

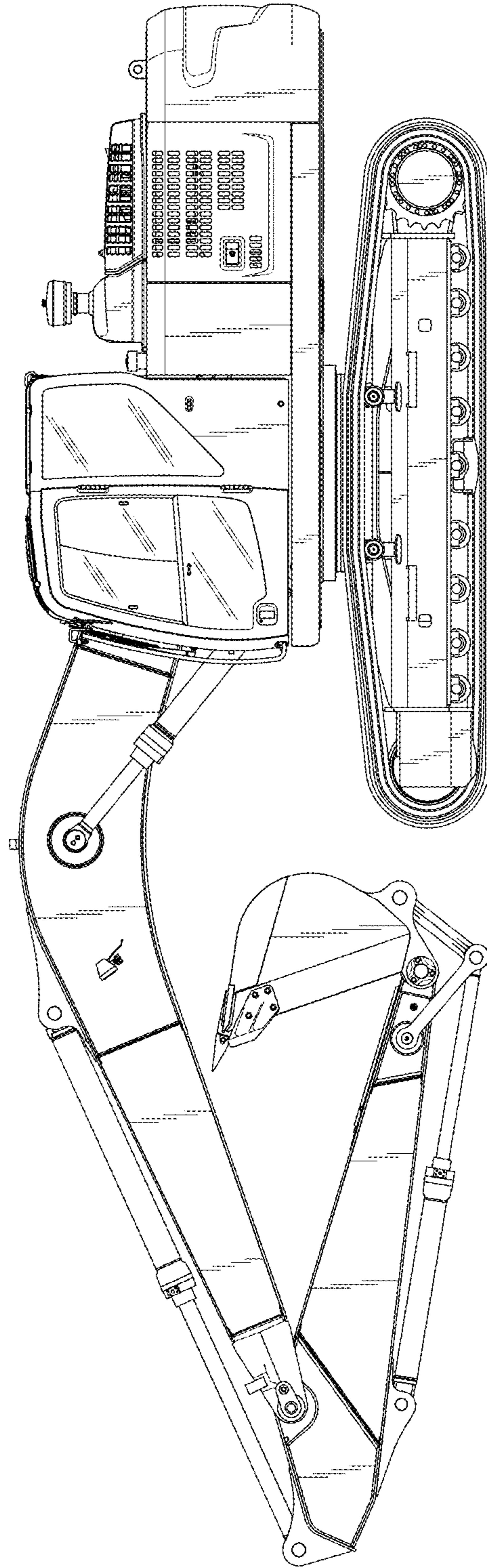


FIG.3

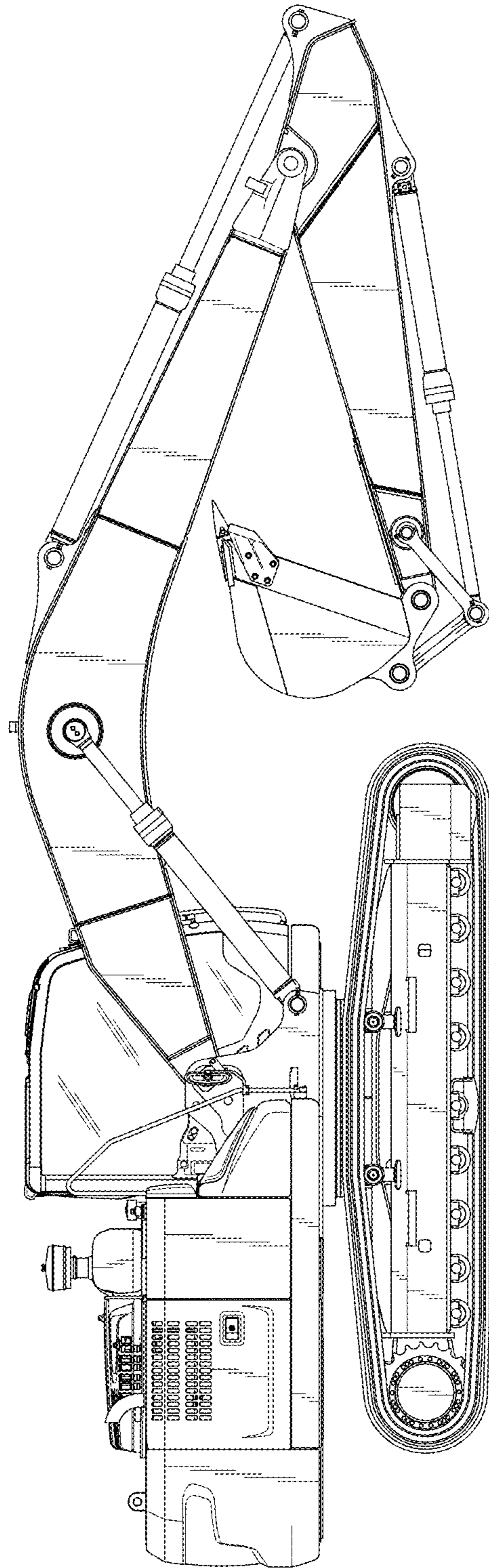


FIG.4

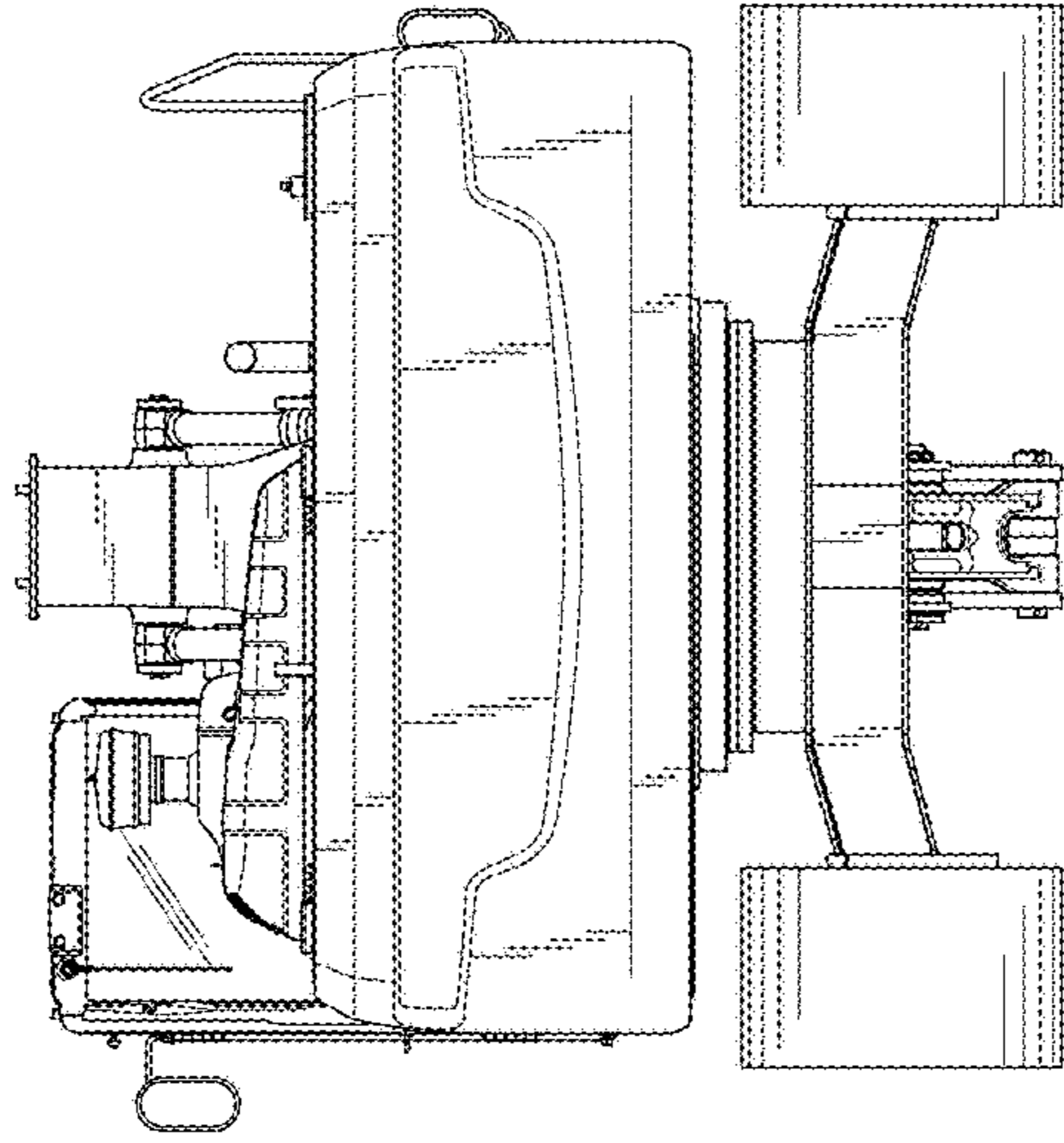


FIG. 5

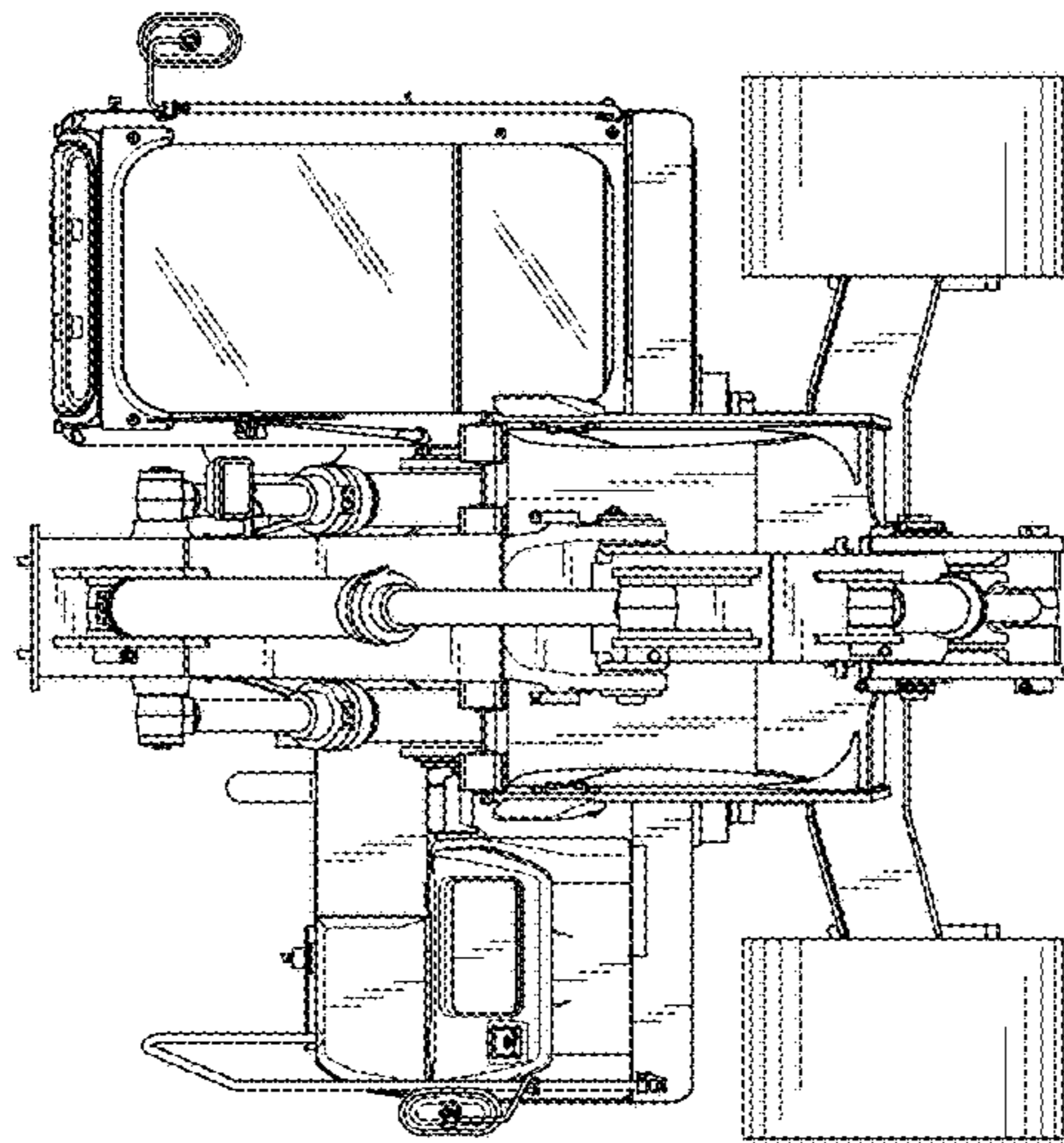


FIG. 6

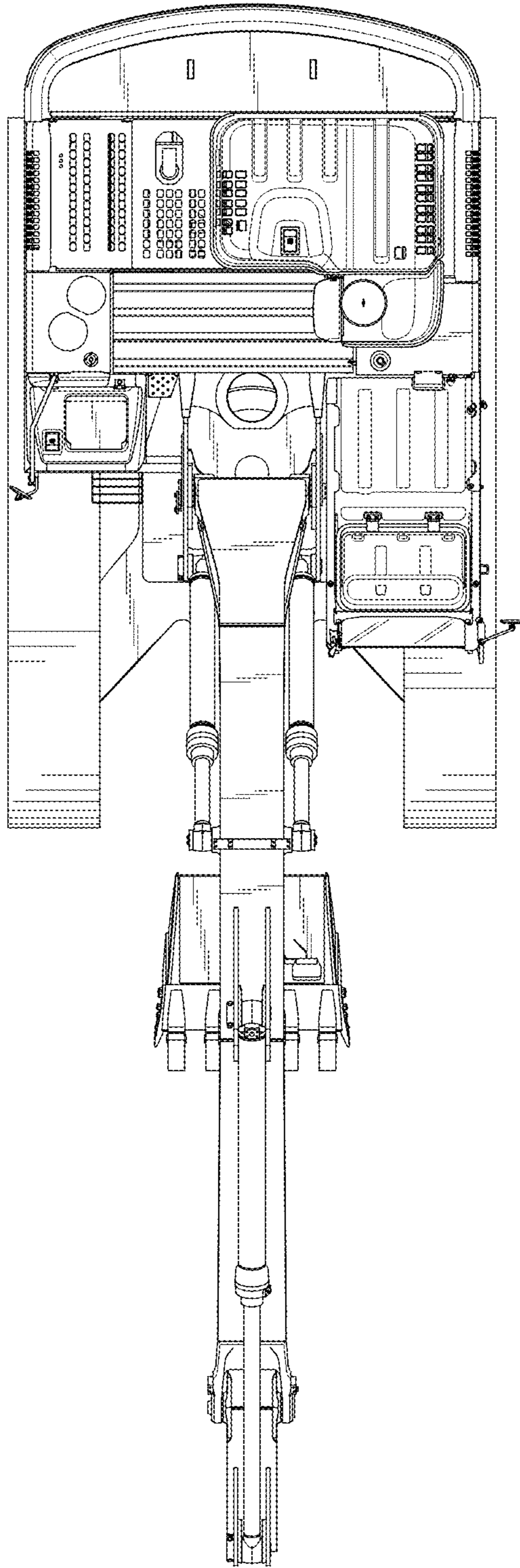


FIG. 7

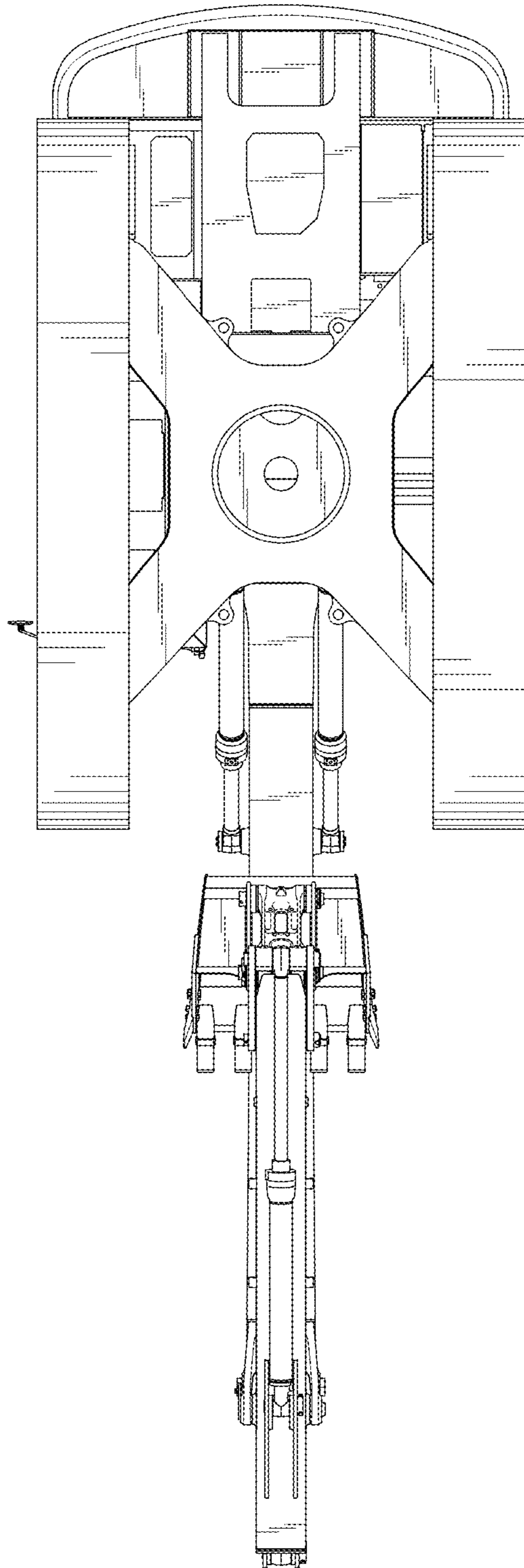


FIG. 8

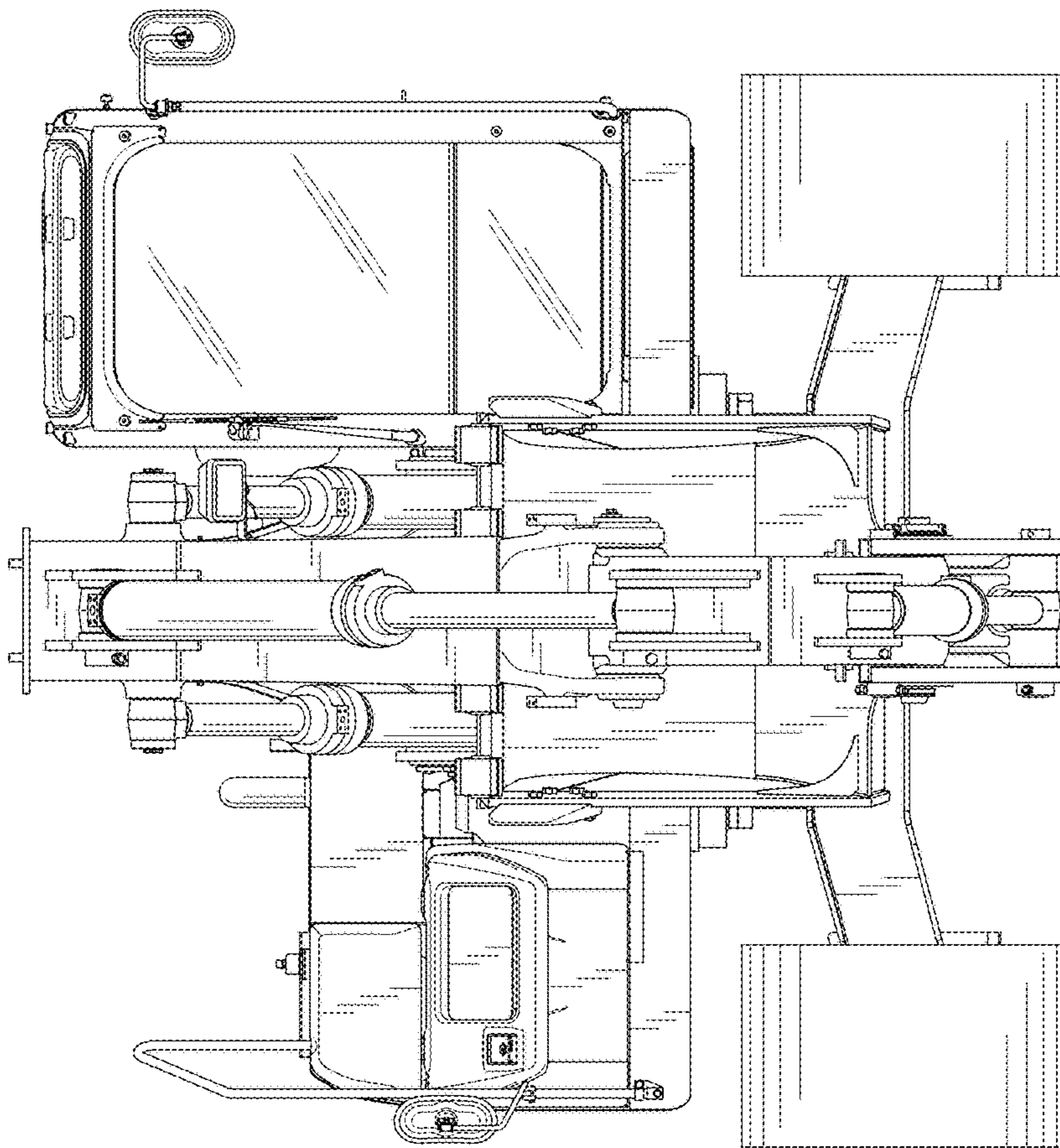


FIG. 9

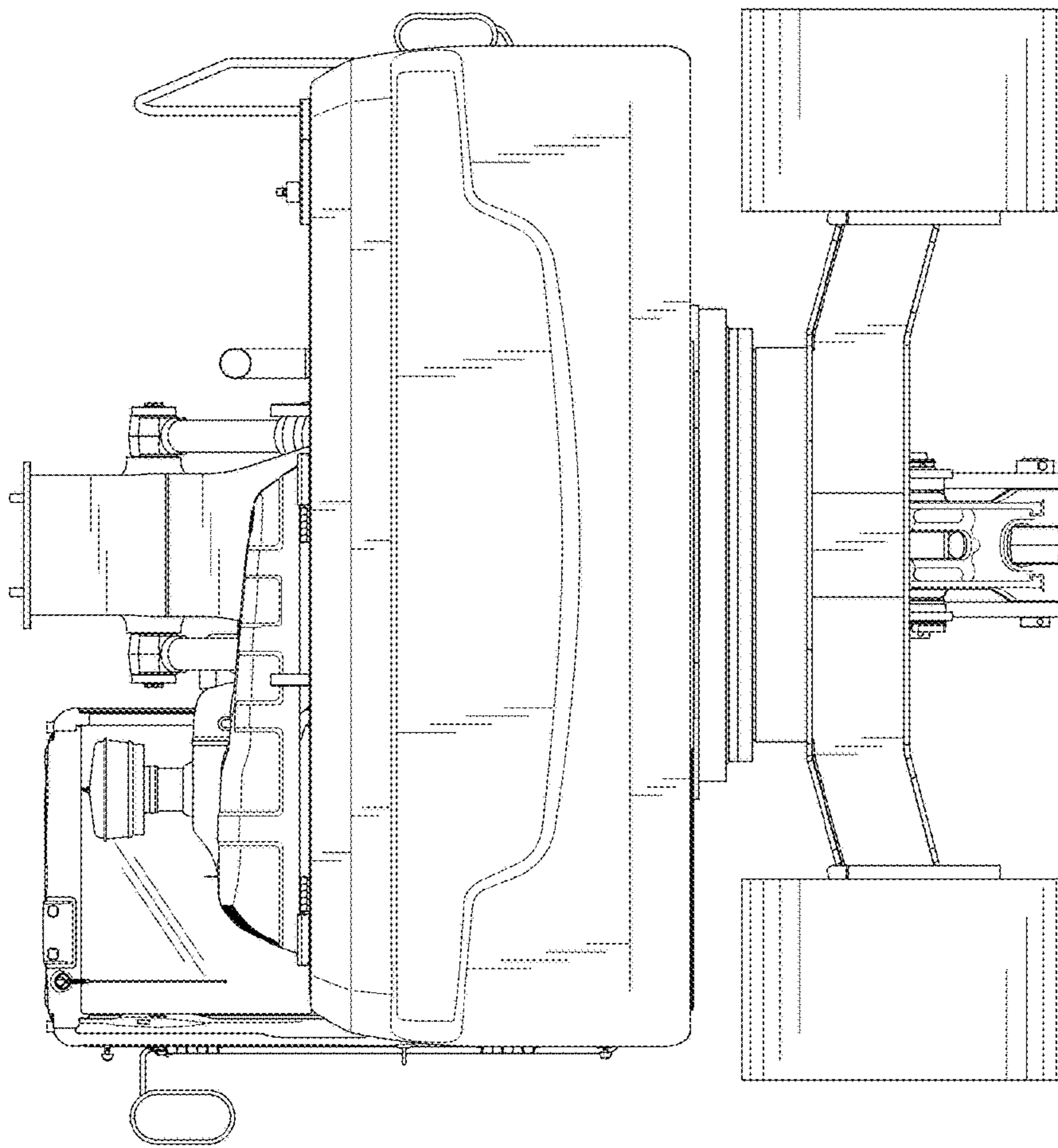


FIG.10